

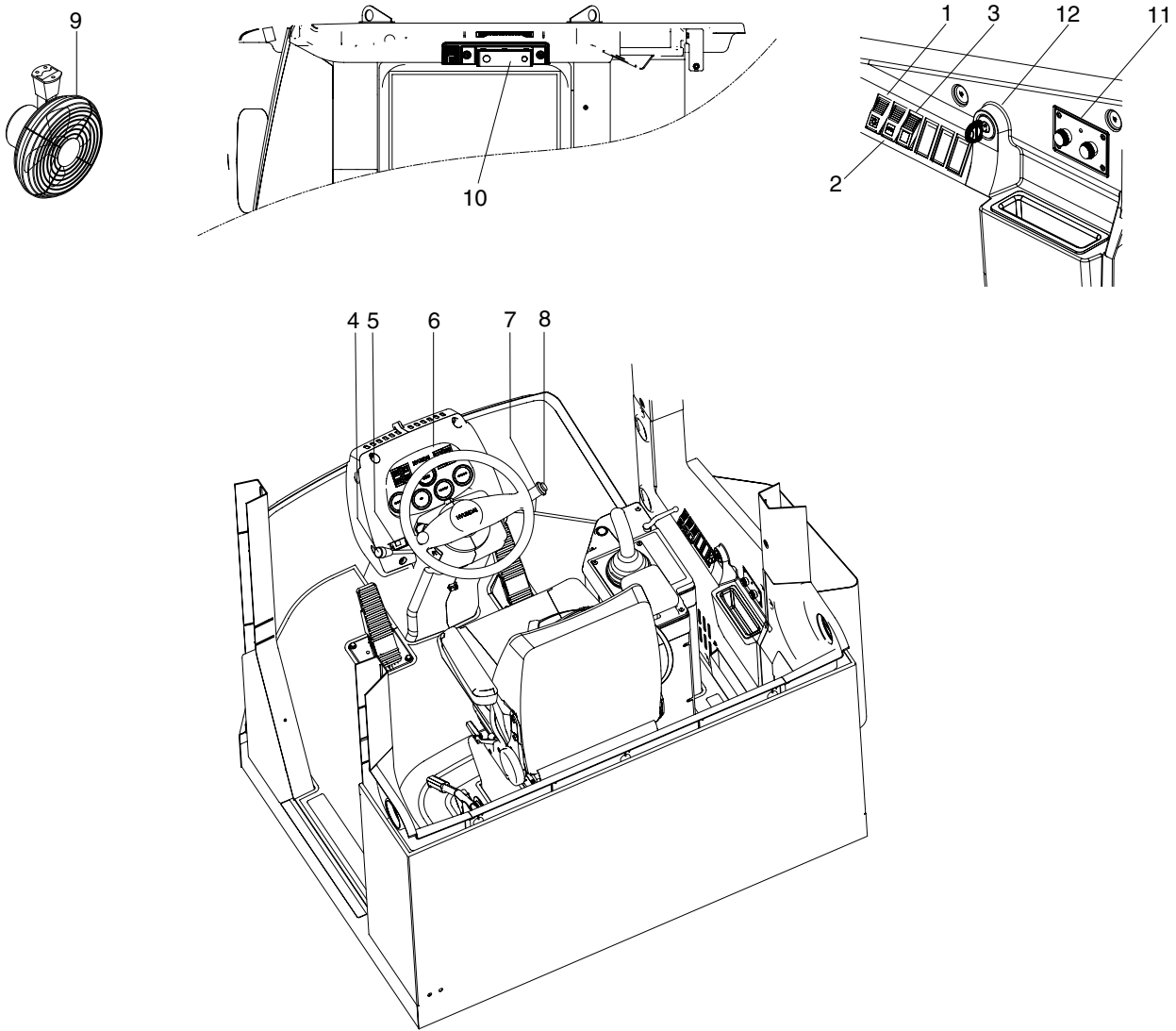
SECTION 6 ELECTRICAL SYSTEM

Group 1 Component location	6-1
Group 2 Electrical circuit	6-3
Group 3 Monitoring system	6-4
Group 4 Connector	6-8

SECTION 6 ELECTRICAL SYSTEM

GROUP 1 COMPONENT LOCATION

1. LOCATION 1

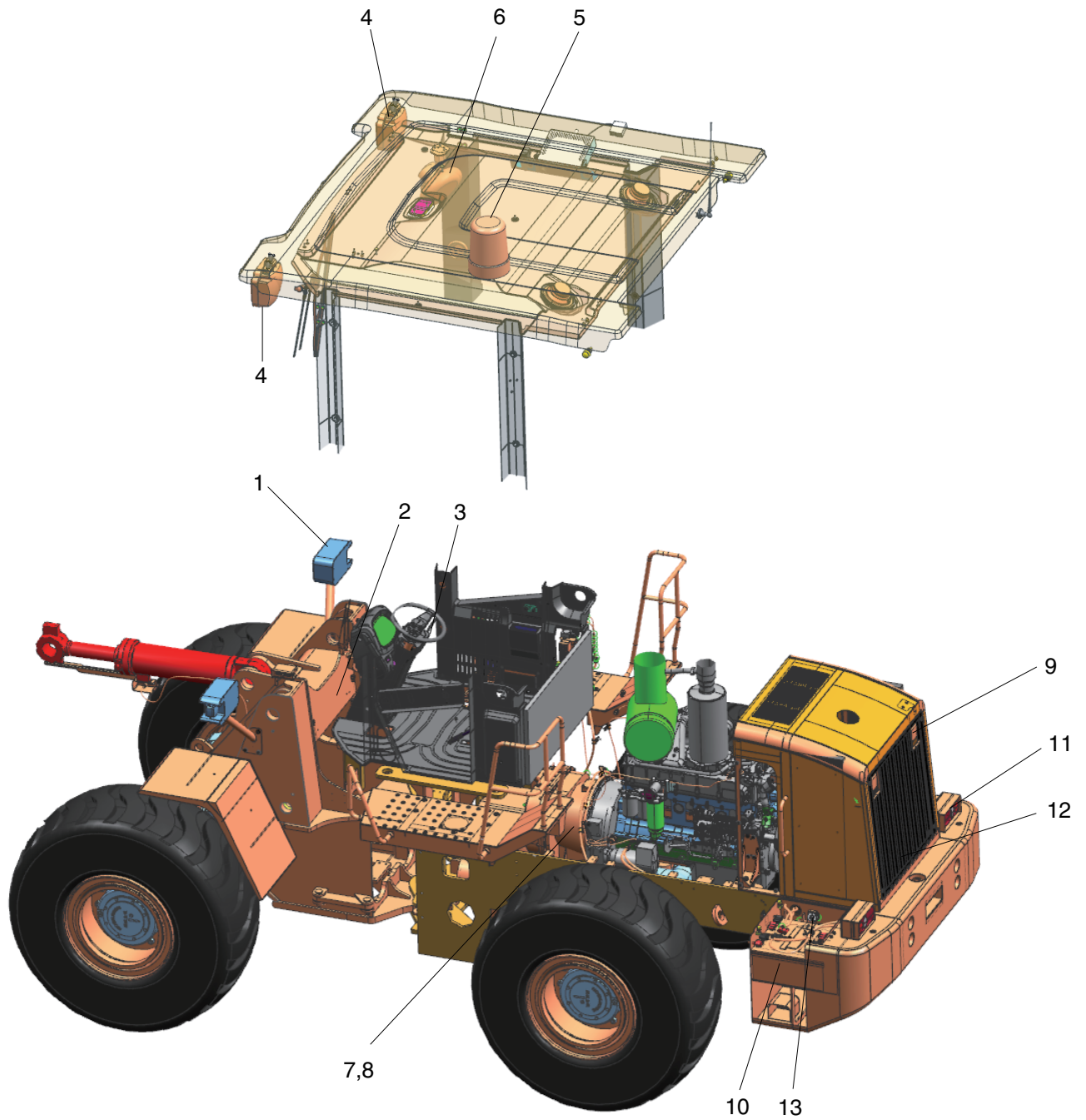


- 1 Head lamp switch
- 2 Work lamp switch
- 3 Beacon switch
- 4 Gear selector lever

- 5 Hazard switch
- 6 Cluster
- 7 Multi function switch
- 8 Horn button

- 9 Electric fan
- 10 Radio and MP3 player
- 11 Aircon and heater switch
- 12 Starting Switch

2. LOCATION 2



851S7EL01

- 1 Head lamp
- 2 Horn
- 3 Multi-function switch
- 4 Work lamp
- 5 Beacon lamp

- 6 Fan
- 7 Coolant temperature sensor
- 8 Engine oil pressure sensor
- 9 Work lamp
- 10 Battery

- 11 Rear combi lamp
- 12 Back buzzer
- 13 Battery relay