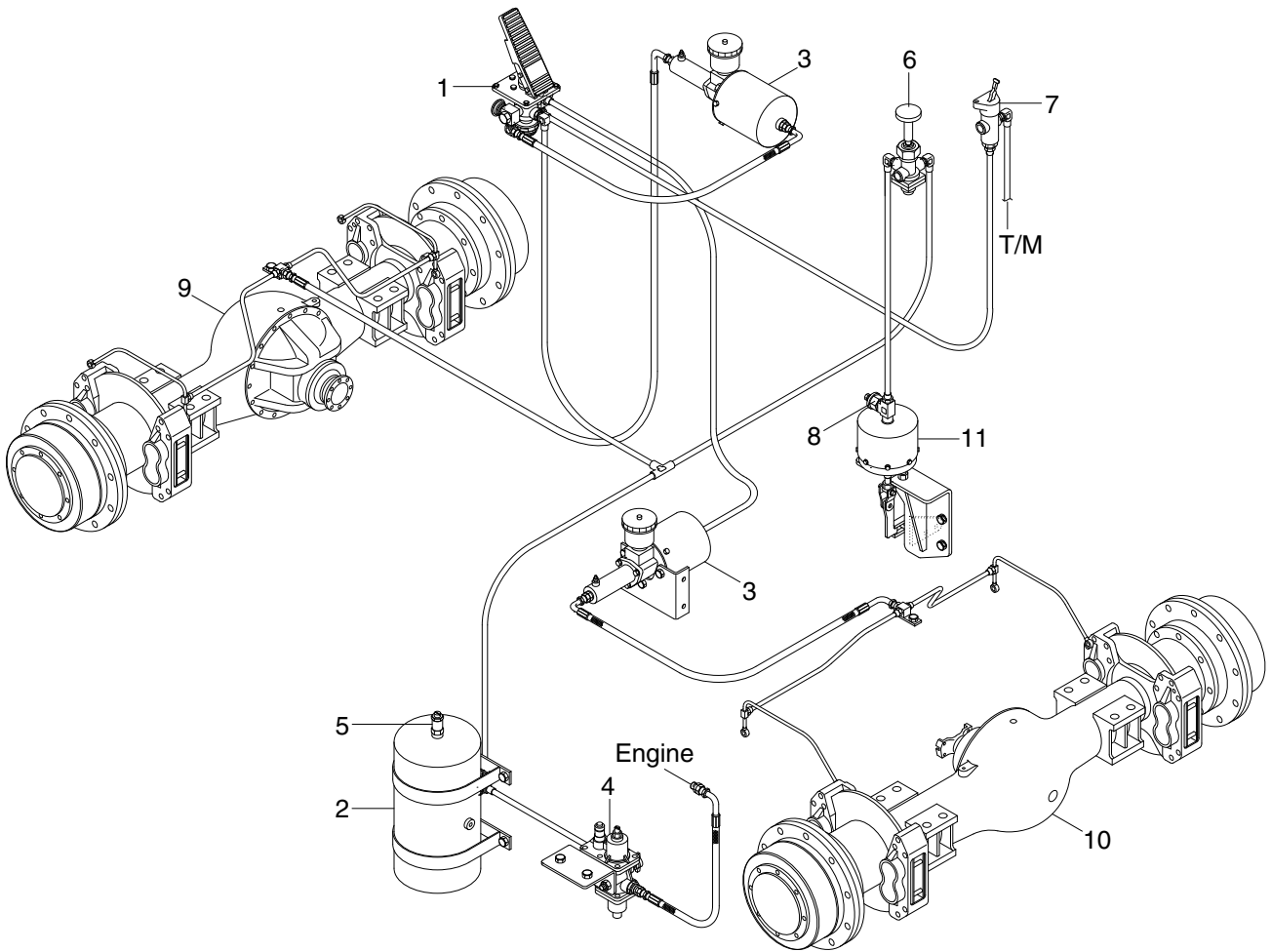


SECTION 3 BRAKE SYSTEM

Group 1 Structure	3-1
Group 2 Air brake circuit	3-2
Group 3 Components specification and function	3-3

SECTION 3 BRAKE SYSTEM

GROUP 1 STRUCTURE



7613BS01

- | | |
|---------------------------|-------------------------------|
| 1 Air brake valve | 7 Clutch cut off lever |
| 2 Air tank | 8 Parking air pressure switch |
| 3 Air booster | 9 Front axle |
| 4 Oil and water separator | 10 Rear axle |
| 5 Safety valve | 11 Parking brake cylinder |
| 6 Parking brake lever | |