

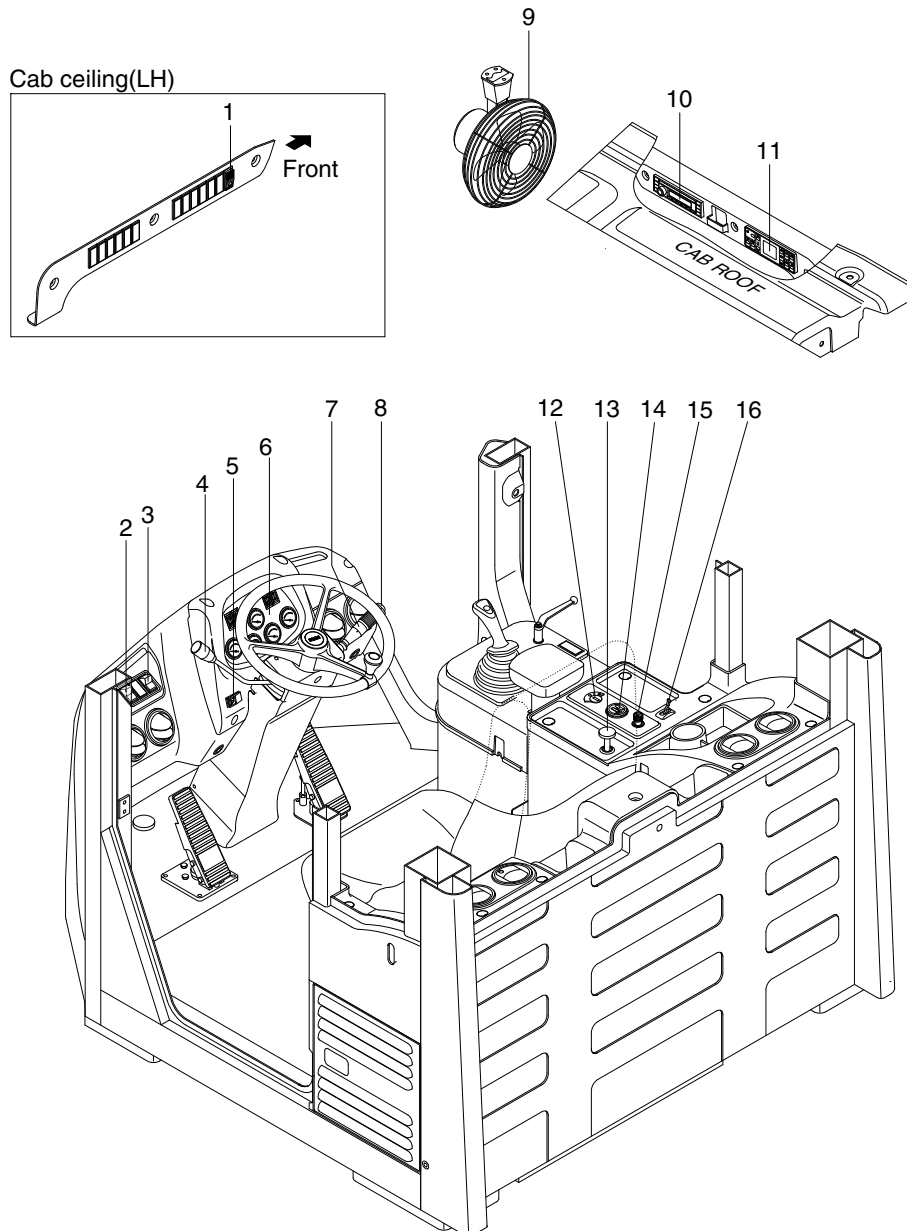
## SECTION 6 ELECTRICAL SYSTEM

Group 1 Component location .....	6-1
Group 2 Electrical circuit .....	6-3
Group 3 Monitoring system .....	6-5
Group 4 Connector .....	6-12

# SECTION 6 ELECTRICAL SYSTEM

## GROUP 1 COMPONENT LOCATION

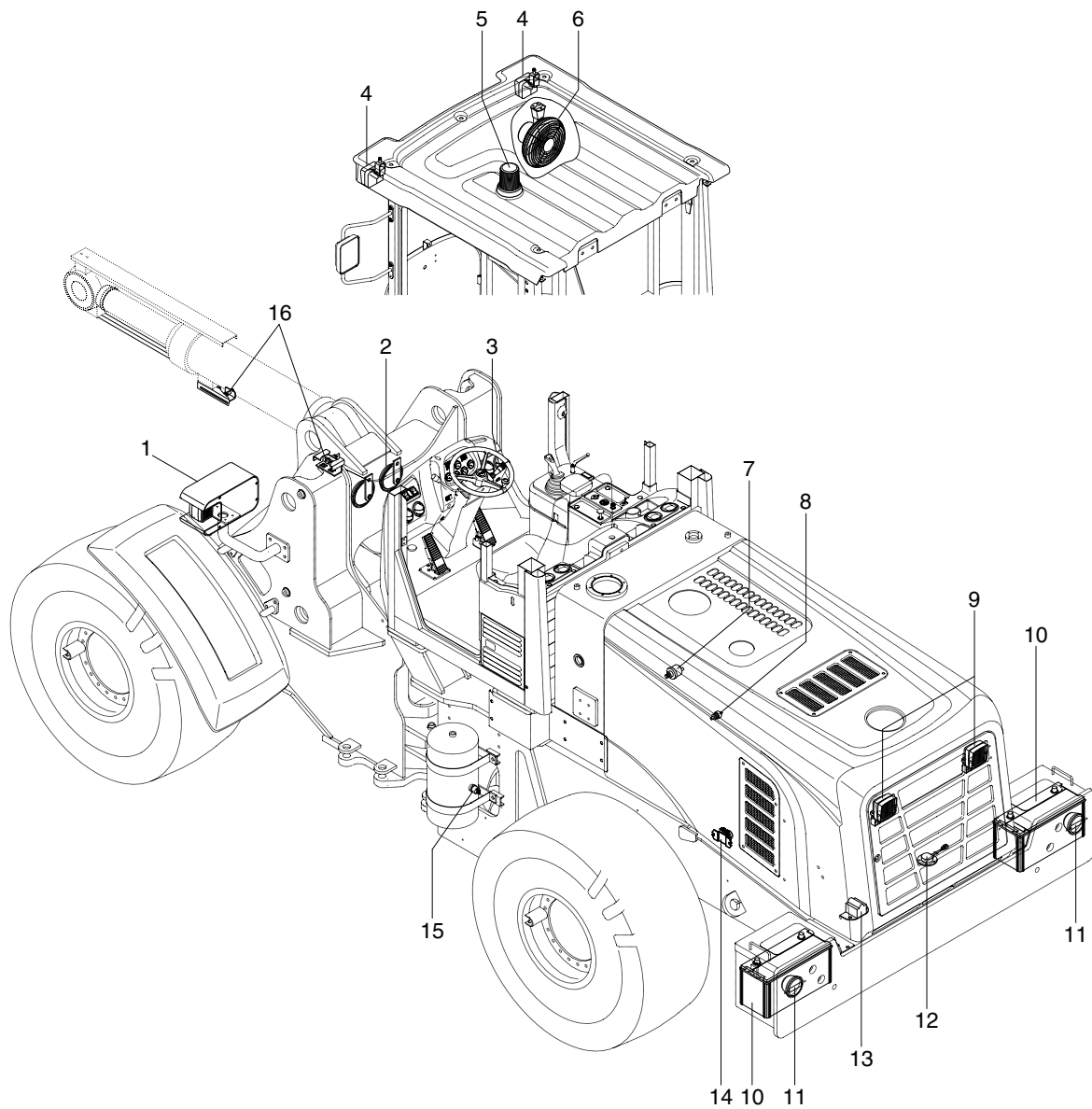
### 1. LOCATION 1



7616EL02

- |                       |                             |                                      |
|-----------------------|-----------------------------|--------------------------------------|
| 1 Beacon switch       | 7 Multi function switch     | 13 Parking brake lever               |
| 2 Main light switch   | 8 Horn button               | 14 Battery volt meter and hour meter |
| 3 Work lamp switch    | 9 Electric fan              | 15 Cigar lighter                     |
| 4 Gear selector lever | 10 Radio and MP3 player     | 16 Clutch cut off lever              |
| 5 Hazard switch       | 11 Aircon and heater switch |                                      |
| 6 Cluster             | 12 Starting Switch          |                                      |

## 2. LOCATION 2



7616EL02-1

- |   |                       |    |                            |    |                          |
|---|-----------------------|----|----------------------------|----|--------------------------|
| 1 | Head lamp             | 7  | Coolant temperature sensor | 13 | Back buzzer              |
| 2 | Horn                  | 8  | Engine oil pressure sensor | 14 | Battery relay            |
| 3 | Multi function switch | 9  | Work lamp                  | 15 | Air tank pressure switch |
| 4 | Work lamp             | 10 | Battery                    | 16 | Proximity switch         |
| 5 | Beacon lamp           | 11 | Rear combi lamp            |    |                          |
| 6 | Electric fan          | 12 | Fuel sender                |    |                          |