

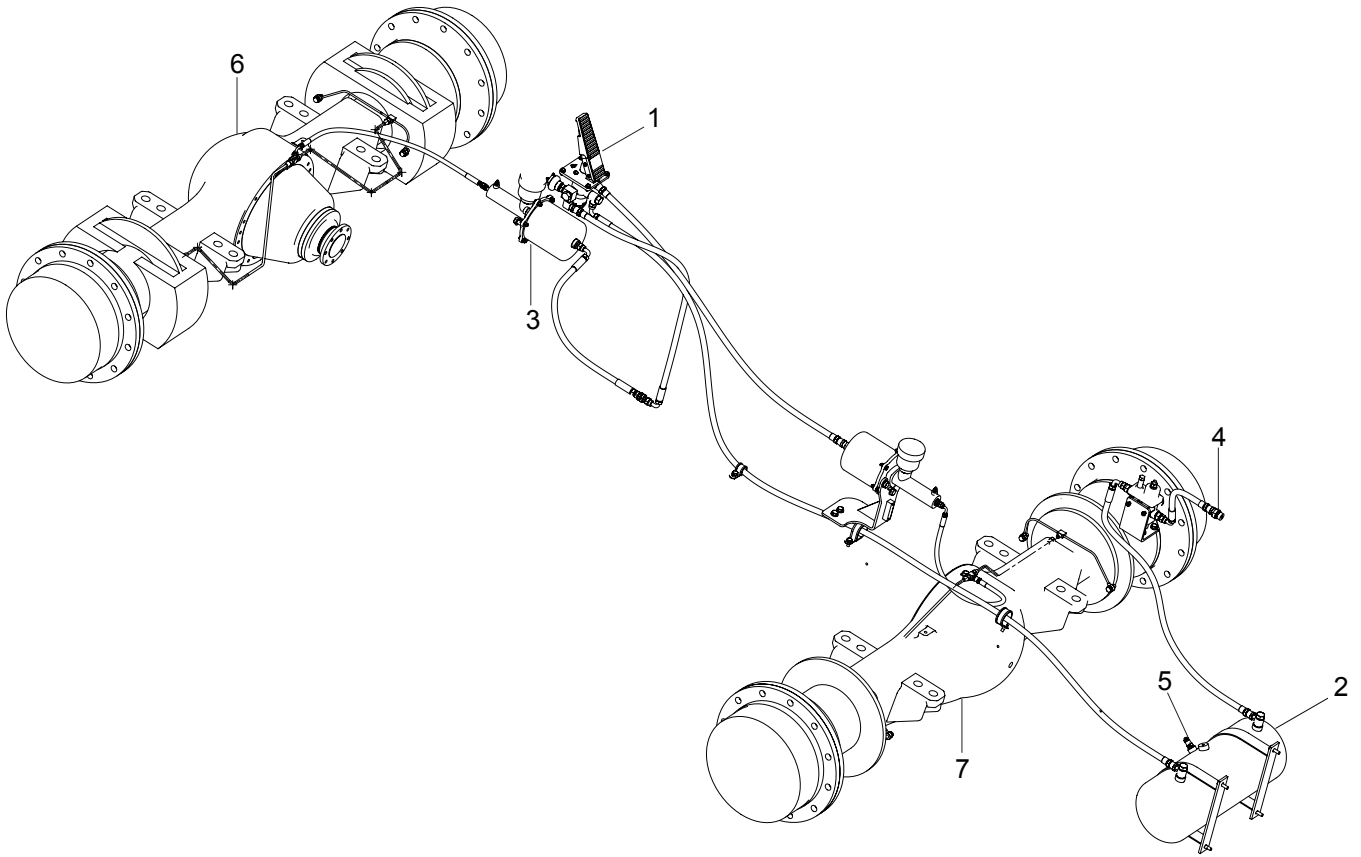
SECTION 3 BRAKE SYSTEM



Group 1 Structure	3 -1
Group 2 Components specification and function	3 -2

SECTION 3 BRAKE SYSTEM

GROUP 1 STRUCTURE



850S3BS01

- | | | | |
|---|-------------------------|---|--------------|
| 1 | Air brake valve | 5 | Safety valve |
| 2 | Air tank | 6 | Front axle |
| 3 | Air booster | 7 | Rear axle |
| 4 | Oil and water separator | | |