

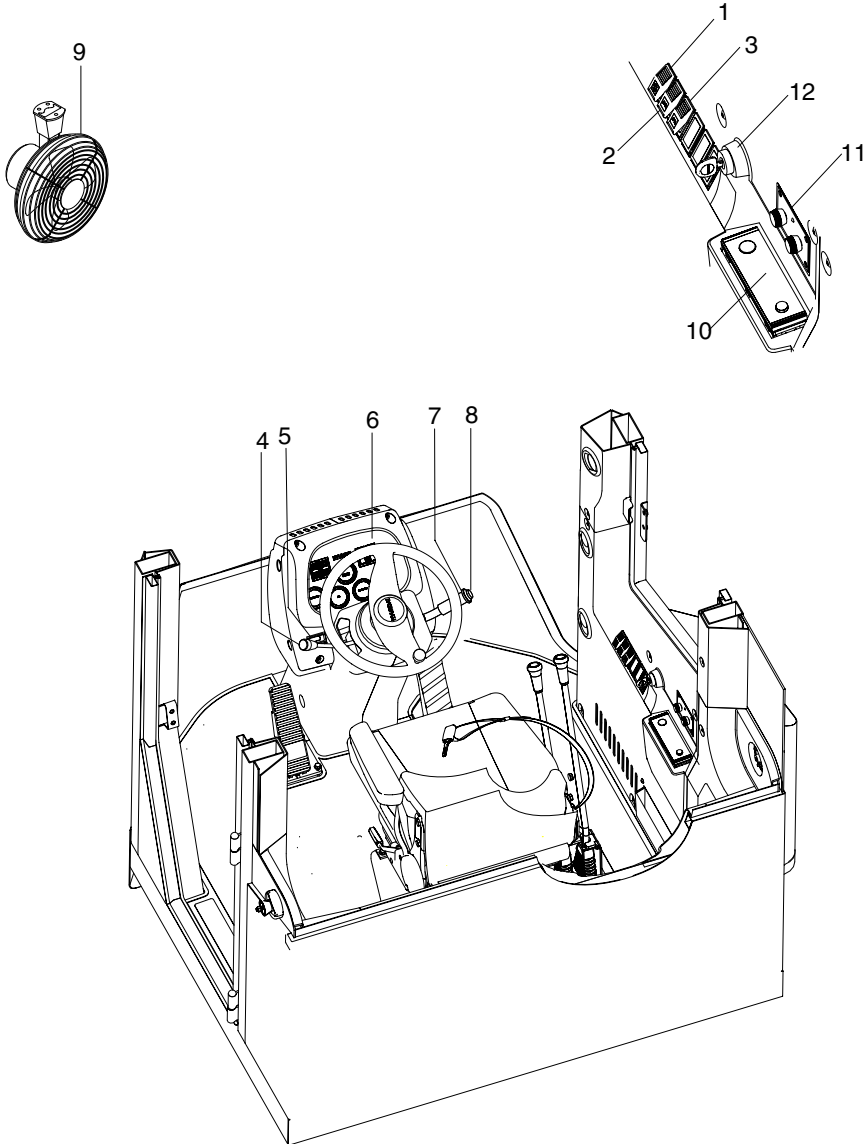
SECTION 6 ELECTRICAL SYSTEM

Group 1 Component location	6-1
Group 2 Electrical circuit	6-3
Group 3 Monitoring system	6-4
Group 4 Connector	6-11

SECTION 6 ELECTRICAL SYSTEM

GROUP 1 COMPONENT LOCATION

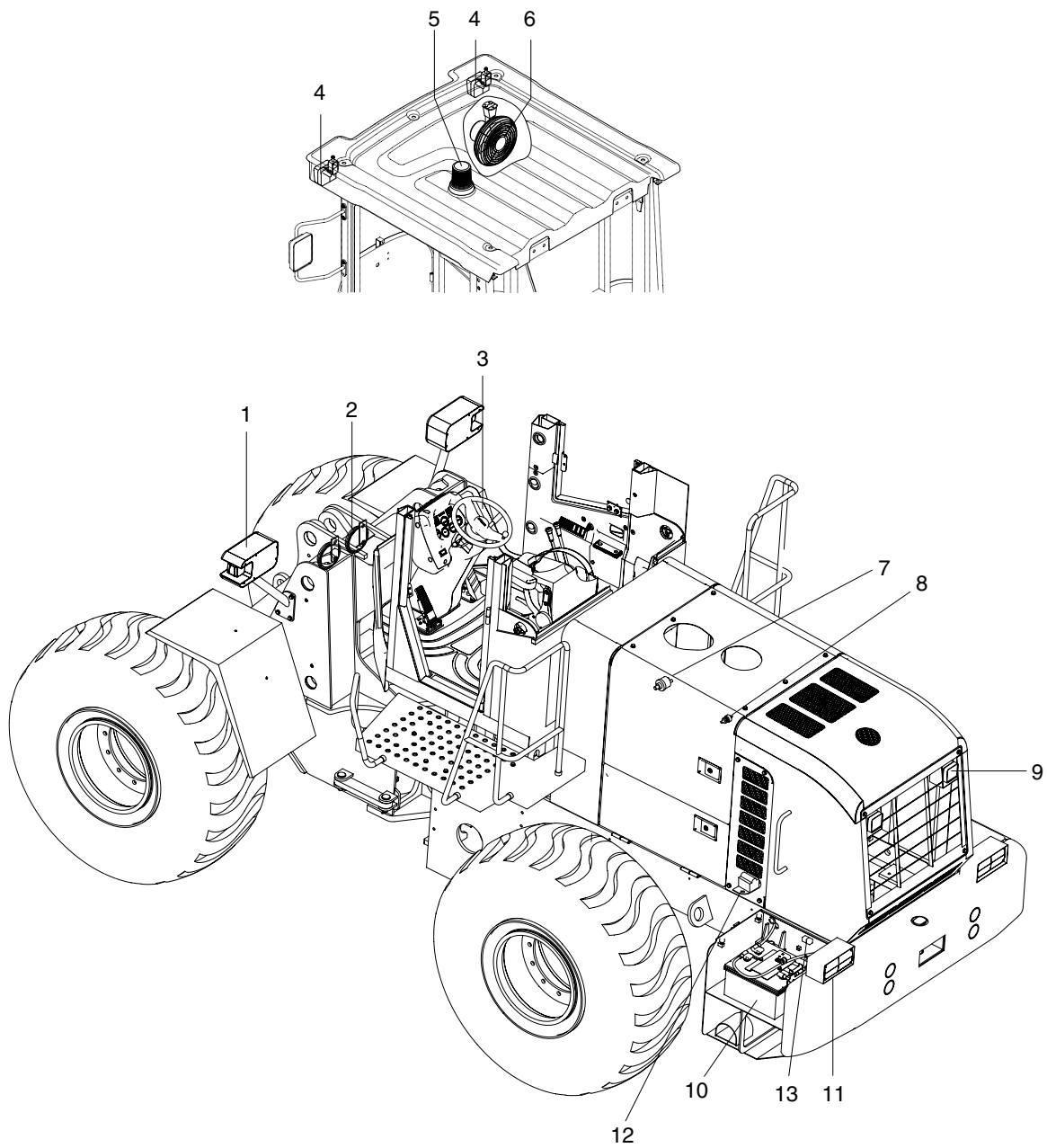
1. LOCATION 1



850S7EL02

- | | | | | | |
|---|---------------------|---|-----------------------|----|--------------------------|
| 1 | Head lamp switch | 5 | Hazard switch | 9 | Electric fan |
| 2 | Work lamp switch | 6 | Cluster | 10 | Radio and MP3 player |
| 3 | Beacon switch | 7 | Multi function switch | 11 | Aircon and heater switch |
| 4 | Gear selector lever | 8 | Horn button | 12 | Starting Switch |

2. LOCATION 2



850S7EL01

- | | | | | | |
|---|-----------------------|----|----------------------------|----|-----------------|
| 1 | Head lamp | 6 | Electric fan | 11 | Rear combi lamp |
| 2 | Horn | 7 | Coolant temperature sensor | 12 | Back buzzer |
| 3 | Multi function switch | 8 | Engine oil pressure sensor | 13 | Battery relay |
| 4 | Work lamp | 9 | Work lamp | | |
| 5 | Beacon lamp | 10 | Battery | | |