

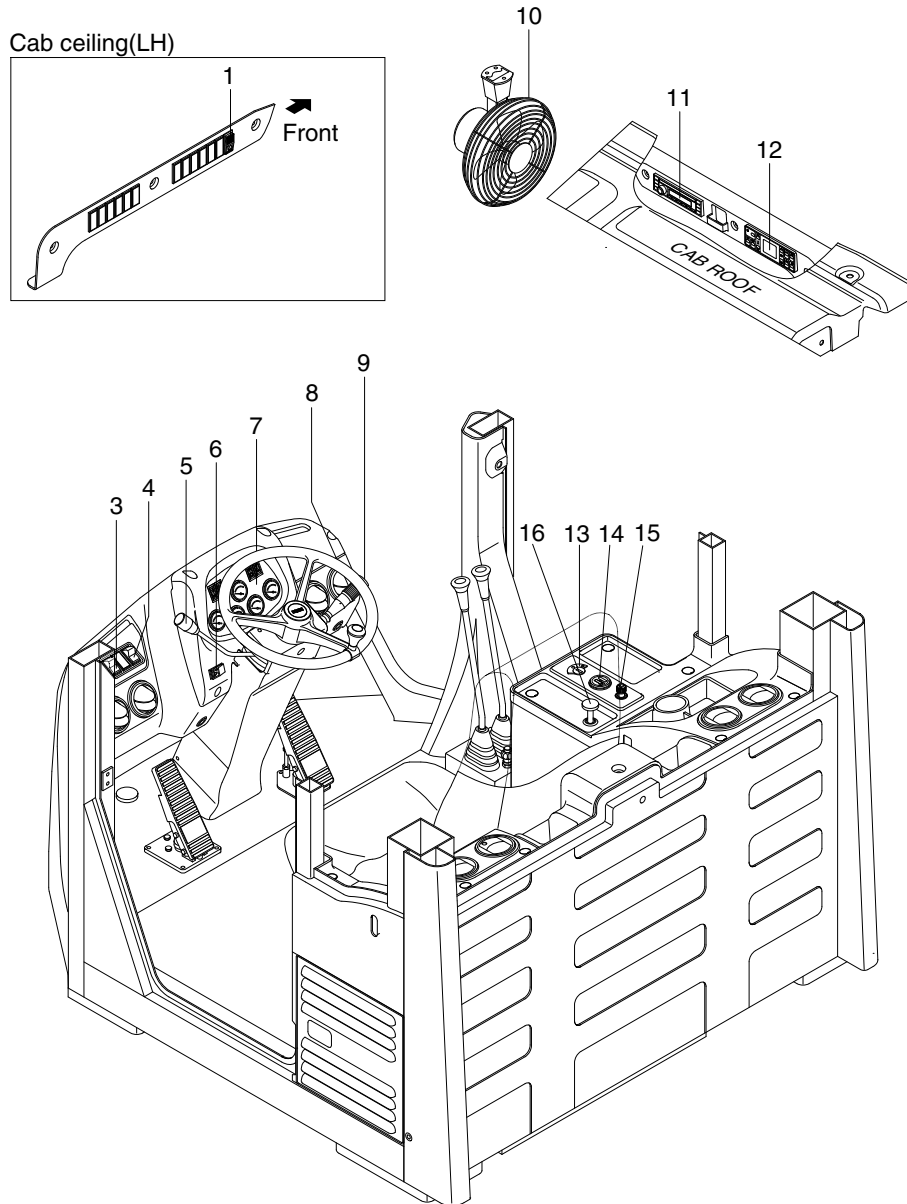
SECTION 6 ELECTRICAL SYSTEM

Group 1 Component location	6-1
Group 2 Electrical circuit	6-3
Group 3 Monitoring system	6-4
Group 4 Connector	6-11

SECTION 6 ELECTRICAL SYSTEM

GROUP 1 COMPONENT LOCATION

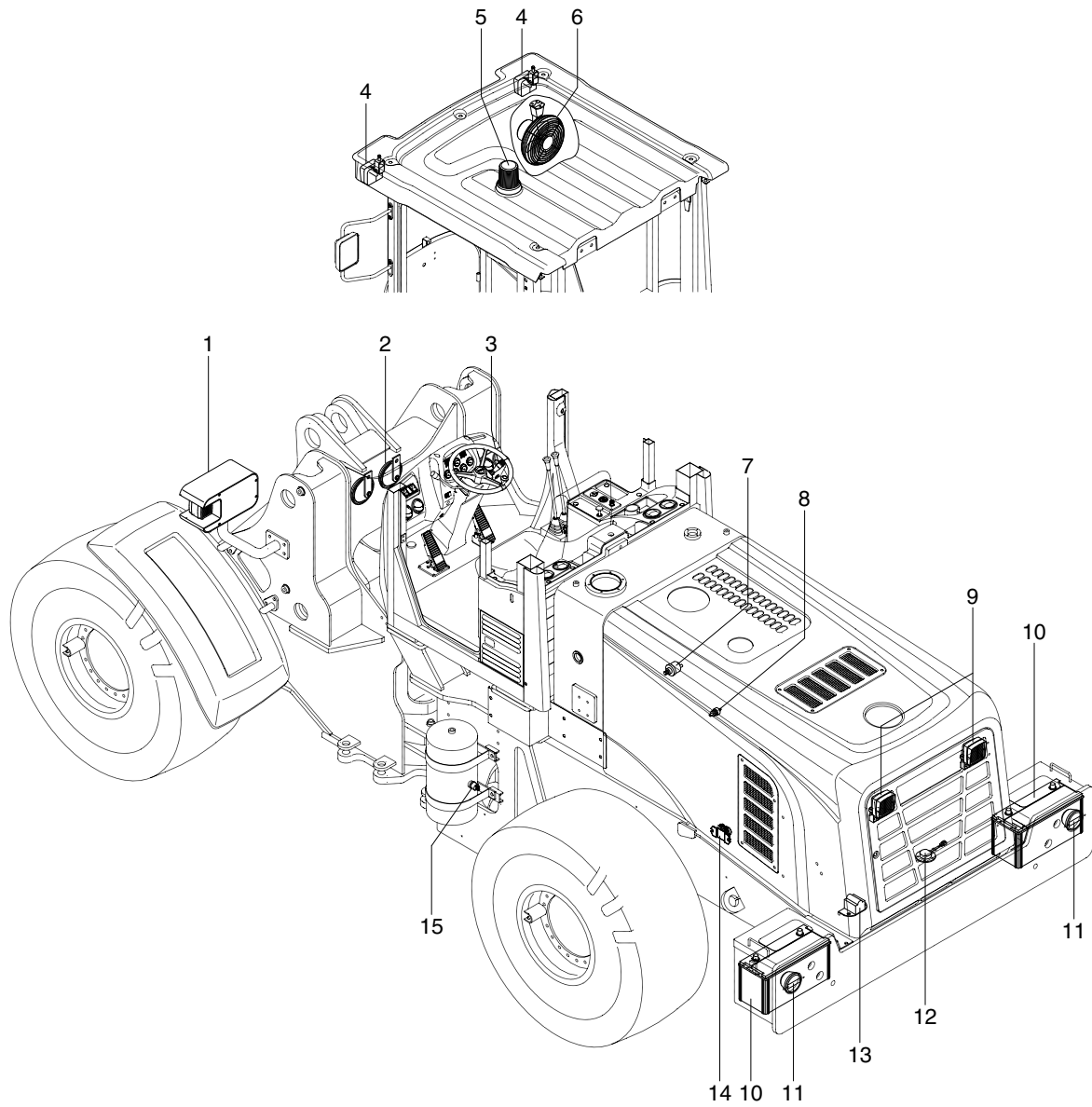
1. LOCATION 1



763G7EL02

- | | | |
|-----------------------|-----------------------------|--------------------------------------|
| 1 Beacon switch | 8 Multi function switch | 14 Battery volt meter and hour meter |
| 3 Main light switch | 9 Horn button | 15 Cigar lighter |
| 4 Work lamp switch | 10 Electric fan | 16 Parking brake lever |
| 5 Gear selector lever | 11 Radio and MP3 player | |
| 6 Hazard switch | 12 Aircon and heater switch | |
| 7 Cluster | 13 Starting Switch | |

2. LOCATION 2



763G7EL03

- | | | | | | |
|---|-----------------------|----|----------------------------|----|--------------------------|
| 1 | Head lamp | 6 | Electric fan | 11 | Rear combi lamp |
| 2 | Horn | 7 | Coolant temperature sensor | 12 | Fuel sender |
| 3 | Multi function switch | 8 | Engine oil pressure sensor | 13 | Back buzzer |
| 4 | Work lamp | 9 | Work lamp | 14 | Battery relay |
| 5 | Beacon lamp | 10 | Battery | 15 | Air tank pressure switch |