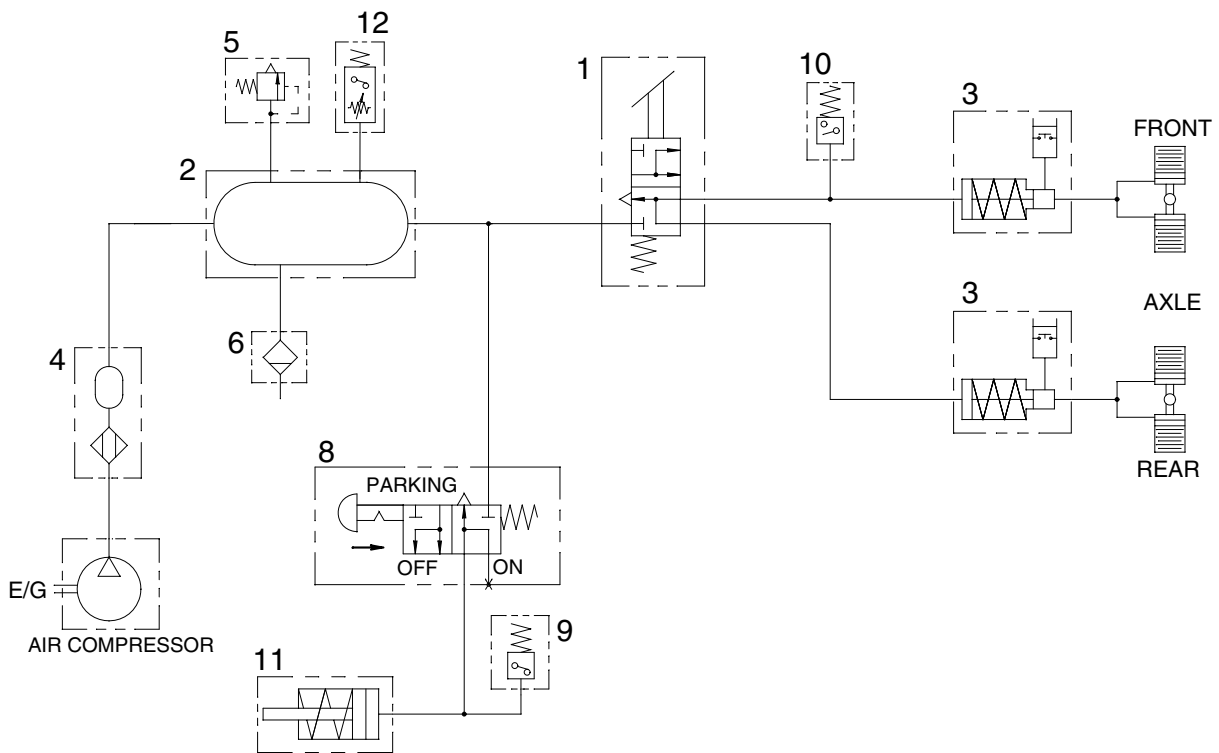


GROUP 2 AIR BRAKE CIRCUIT



850KBS05

- | | | | |
|---|-------------------------|----|--------------------------------|
| 1 | Air brake valve | 8 | Parking brake lever |
| 2 | Air tank | 9 | Parking air pressure switch |
| 3 | Air booster | 10 | Brake lamp air pressure switch |
| 4 | Oil and water separator | 11 | Parking brake cylinder |
| 5 | Safety valve | 12 | Pressure switch and sensor |
| 6 | Auto water drain | | |