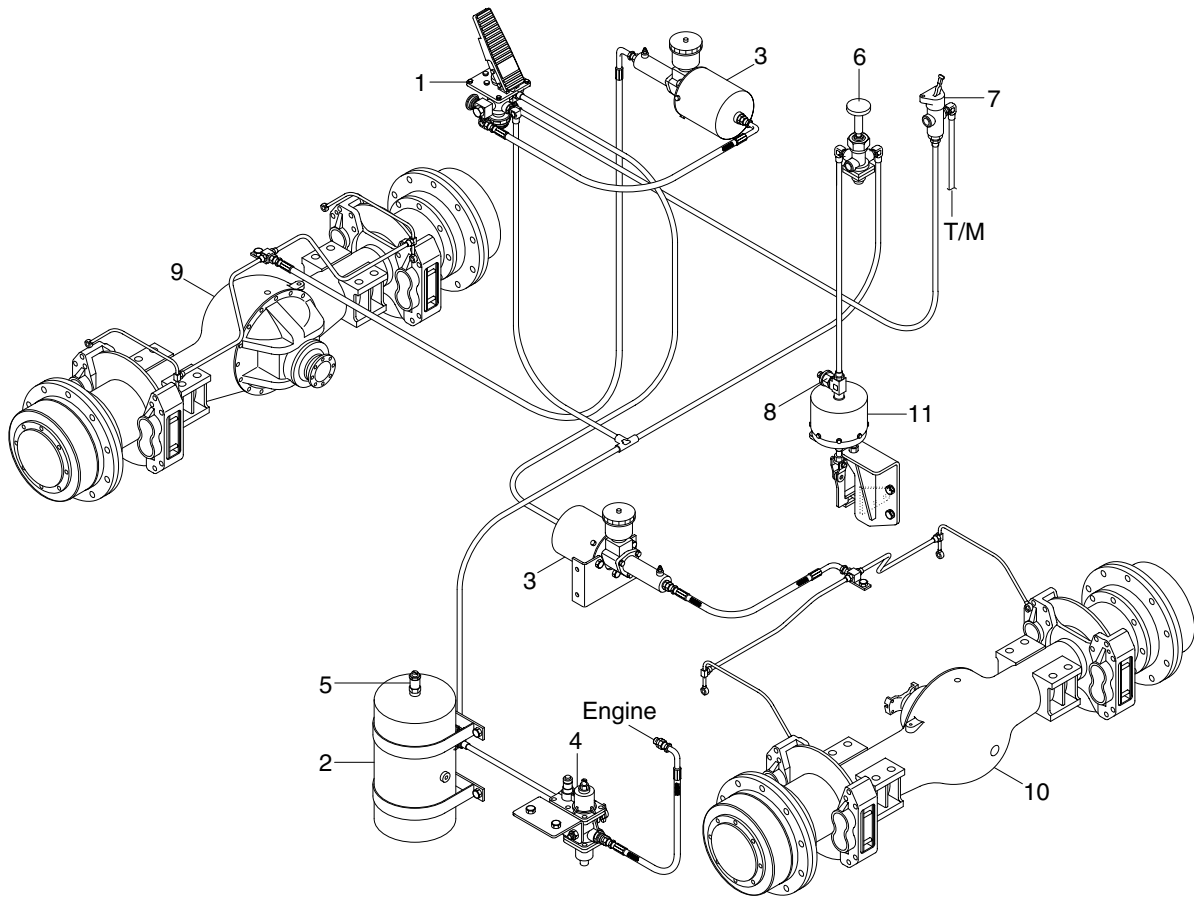


SECTION 3 BRAKE SYSTEM

Group 1 Structure	3-1
Group 2 Air brake circuit	3-2
Group 3 Components specification and function	3-3

SECTION 3 BRAKE SYSTEM

GROUP 1 STRUCTURE



850KBS01

- | | | | |
|---|-------------------------|----|-----------------------------|
| 1 | Air brake valve | 7 | Clutch cut off lever |
| 2 | Air tank | 8 | Parking air pressure switch |
| 3 | Air booster | 9 | Front axle |
| 4 | Oil and water separator | 10 | Rear axle |
| 5 | Safety valve | 11 | Parking brake cylinder |
| 6 | Parking brake lever | | |