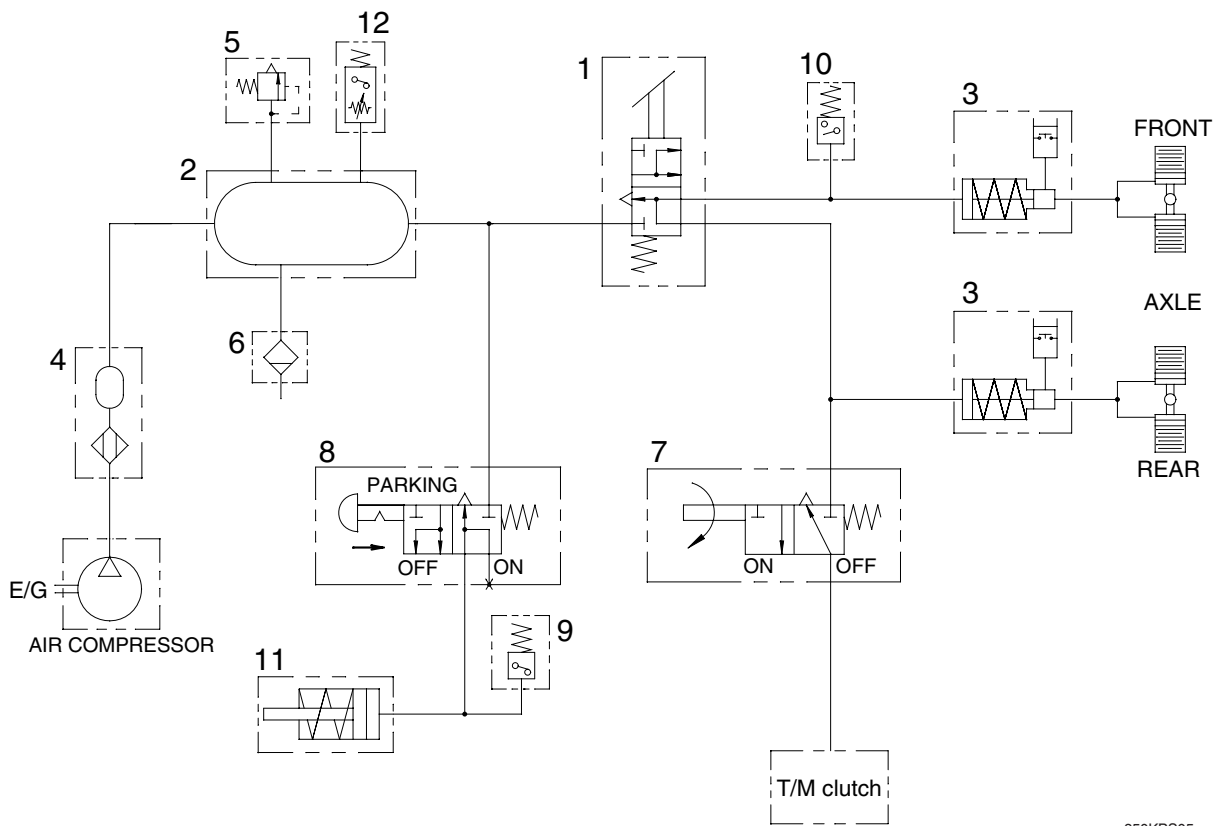


## GROUP 2 AIR BRAKE CIRCUIT



850KBS05

- |   |                         |    |                                |
|---|-------------------------|----|--------------------------------|
| 1 | Air brake valve         | 7  | Clutch cut off lever           |
| 2 | Air tank                | 8  | Parking brake lever            |
| 3 | Air booster             | 9  | Parking air pressure switch    |
| 4 | Oil and water separator | 10 | Brake lamp air pressure switch |
| 5 | Safety valve            | 11 | Parking brake cylinder         |
| 6 | Auto water drain        | 12 | Pressure switch and sensor     |