

SECTION 6 ELECTRICAL SYSTEM

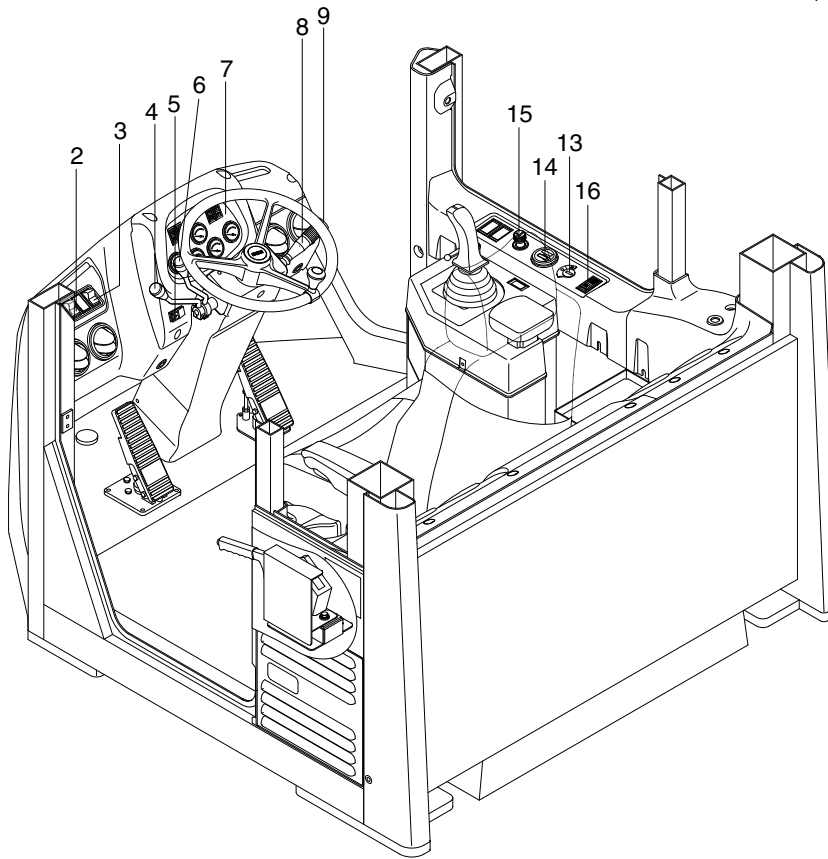
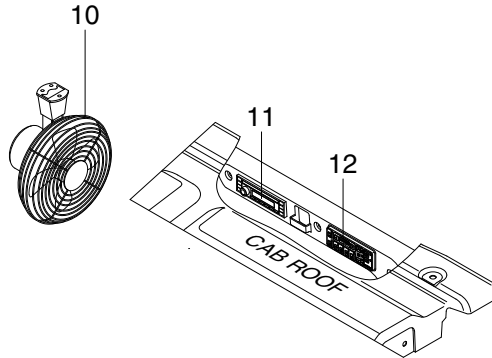
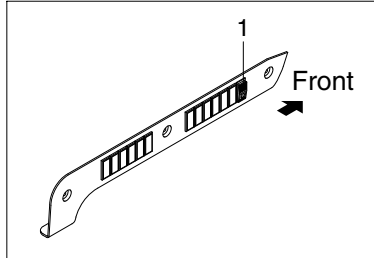
Group 1 Component location	6-1
Group 2 Electrical circuit	6-3
Group 3 Monitoring system	6-5
Group 4 Connector	6-12

SECTION 6 ELECTRICAL SYSTEM

GROUP 1 COMPONENT LOCATION

1. LOCATION 1

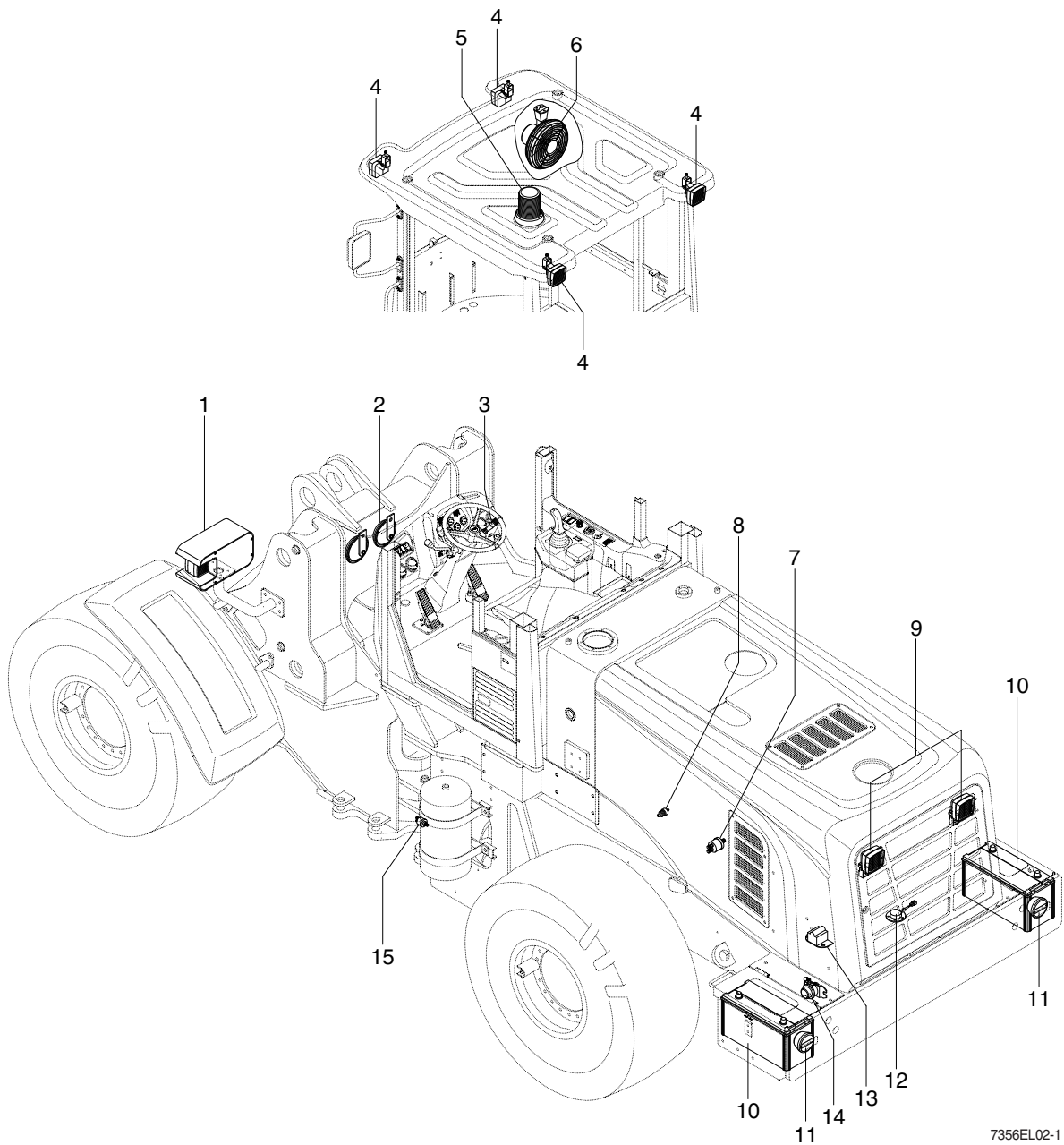
Cab ceiling(LH)



73556EL02

- | | | |
|------------------------|-----------------------------|--------------------------------------|
| 1 Beacon switch | 7 Cluster | 13 Starting Switch |
| 2 Main light switch | 8 Multi function switch | 14 Battery volt meter and hour meter |
| 3 Work lamp switch | 9 Horn button | 15 Cigar lighter |
| 4 Speed selector lever | 10 Electric fan | 16 Engine stop switch |
| 5 Gear selector lever | 11 Aircon and heater switch | |
| 6 Hazard switch | 12 Radio and MP3 player | |

2. LOCATION 2



7356EL02-1

- | | | | | | |
|---|-----------------------|----|----------------------------|----|--------------------------|
| 1 | Head lamp | 6 | Electric fan | 11 | Rear combi lamp |
| 2 | Horn | 7 | Coolant temperature sensor | 12 | Fuel sender |
| 3 | Multi function switch | 8 | Engine oil pressure sensor | 13 | Back buzzer |
| 4 | Work lamp | 9 | Work lamp | 14 | Battery relay |
| 5 | Beacon lamp | 10 | Battery | 15 | Air tank pressure switch |