

GROUP 4 CONNECTOR

1. MAIN HARNESS

Connector number	Type	No. of pin	Destination	Connector part no.
CN-35	J/C	3	TO FUSE BOX	DJ7031-7.8-11
CN-36		10		DJ7101-6.3-11
CN-37		12		DJ7121-6.3-11
CS-2	KET	6	START SWITCH	MG610335
CN-171	J/C	2	SERVICE SOCKET	DJ7028-6.3-21
CR-3	J/C	5	FUSE BOX	DJJ7051-6.3-21
CR-40				
CR-2				
CR-26				
CR-27				
CR-30				
CR-55				
CR-63				
CR-79				
CR-56				
CR-11	J/C	2	FLASHER UNIT RELAY	DJJ7058A-6.3-21
CN-26	TYW	2	WARNING BUZZER	174198-1
CN-1	J/C	3	REAR FRAME SIDE 1	DJ7031-7.8-11
CN-2	J/C	14	REAR FRAME SIDE 2	DJ141-6.3-21
CN-3	J/C	8	REAR FRAME SIDE 3	DJ7081-6.3-21
CN-11	J/C	8	HEATER SIDE	DJ7021A-7.8-21
EARTH4	J/C	2	-	Y10-10
CN-9A	J/C	10	TO FRONT HARNESS	DJ7021A-7.8-21
CN-7	J/C	8	TO CAB HARNESS	DJ7081-6.3-21
CN-4	TYCO	16	TO DASHBOARD HARNESS	368047-1
CN-5	TYCO	15	TO DASHBOADR HARNESS	85223-1
CN-21	SWF	10	ILL & HEAD LAMP	SWF593757
CS-36			WORK LAMP	
CS-79			DIODE	

2. CAB HARNESS

Connector number	Type	No. of pin	Destination	Connector part no.
CN-7	J/C	8	TO MAIN HARNESS	DJ7081-6.3-11
CL-7	TYCO	2	BEACON	174198-1
CN-23 CN-24	KET	2	SPEAKER	7123-1520
CL-1	J/C	2	ROOM LAMP	DJ7021-6.3-21
CN-27	-	16	RADIO & MP3 player	PK145-16017
CL-5	J/C	2	WORK LAMP, FRONT-LH	DJ7021-1.5-20
CL-6	J/C	2	WORK LAMP, FRONT-RH	DJ7021-1.5-20
CL-23	SWF	10	BEACON SWITCH	593757
EARTH	J/C	1	RING TERMINAL	DJ431-10
AC-3	J/C	2	FAN	DJ7021-6.3-10
CL-22	J/C	2	WORK LAMP,REAR-LH	DJ7021-1.5-20
AC-3	J/C	2	WORK LAMP,REAR-RH	DJ7021-1.5-20

3. DASHBOARD HARNESS

Connector number	Type	No. of pin	Destination	Connector part no.
CS-11	J/C	8	TURN LEVER	DJ70818-6.3-21
CN-21	J/C	6	FRONT WIPER	DJ7061-6.3-21
CS-41	SWF	10	HAZARD SWITCH	593757
CN-56	TYCO	16	GAUGE BOARD SIDE	368047-1
CN-4	TYCO	16	TO MAIN HARNESS	368050-1
CN-5	TYCO	15	TO MAIN HARNESS	2-85262-1
CS-35	SWF	10	WIPER SWITCH	593757
CS-36	SWF	10	WORK LAMP SWITCH	593757
CS-45	J/C	2	BACK-UP SWITCH	DJ7021-6.3-21
EARTH1 EARTH2	J/C	1	RING TERMINAL	Y10-10
CN-9A	J/C	8	TO MAIN HARNESS	DJ7081-6.3-11
CD-4	J/C	1	STOP LAMP HARNESS	DJ431-5
CS-26	J/C	3	PARKING LEVER	DJ7031-6.3-21
CS-12	J/C	6	TURN LEVER	DJ70658-6.3-11
CN-9	J/C	8	TO FRONT HARNESS	DJ7081-6.3-21

4. REAR FRAME HARNESS

Connector number	Type	No. of pin	Destination	Connector part no.
CD-49	J/C	1	TM TEMP	DJ431-5
CD-48	KSC 2620	1	TM OIL PRESSURE	R1.25-4
CD-3	J/C	1×2	AIR PRESSURE	DJ431-5
EARTH2	J/C	1	RING TERMINAL	Y10-10
GROMMET	HHI	-	-	21LB-34020
CN-65	DEUTSCH	2	BACK BUZZER	DT06-2S
CL-16A	J/C	3	REAR COMBI-RH	DJ7031-1.5-21
CL-16B		2		DJ7031-1.5-21
CL-15A	J/C	3	REAR COMBI-LH	DJ7031-1.5-21
CL-15B		2		DJ7031-1.5-21
CN-95	MTA	-	-	03.21000
				03.01080
				03.21210
	HHI PARTS	-	-	21LM-03180
CN-1	J/C	3	-	DJ7031-7.8-11
CN-2	J/C	14	-	DJ7141-6.3-21
CN-3	J/C	8	-	DJ7081-6.3-11
CN-12	J/C	12	-	DJ7021-6.3-21
CN-74	J/C	1×2	MASTER SWITCH	Y10-10
CR-1A DR-1B	KET	4	POWER RELAY	MG612017

5. FRONT HARNESS

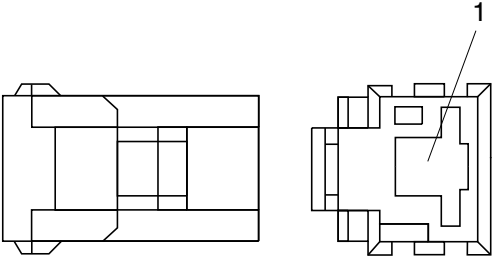
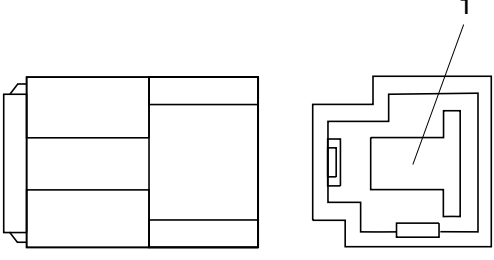
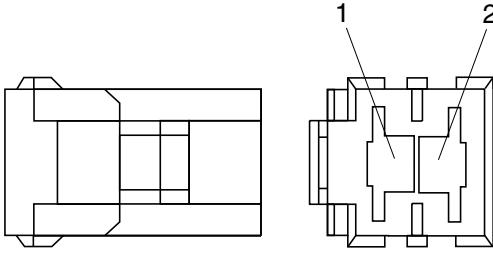
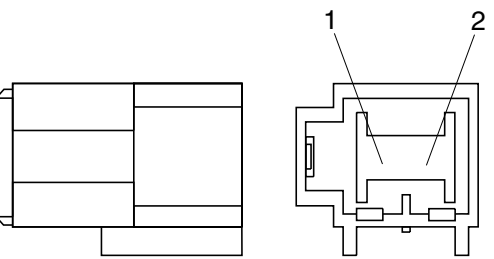
Connector number	Type	No. of pin	Destination	Connector part no.
CN-9	J/C	8	FRONT FRAME SIDE	DJ7081-6.3-11
CL-3	TYCO	3	COMBI-FRONT, LH	174200-1
CL-24	TYCO	2	HEAD LIGHT, LH	174198-1
CN-20	MOLEX	2	HORN-LOW	36825-0211
CN-25	MOLEX	2	HORN-HIGH	36825-0211
CL-4	TYCO	3	COMBI-FRONT, RH	174200-1
CL-25	TYCO	2	HEAD UGHT, RH	174198-1
EARTH3	J/C	1	RING TERMINAL	DJ431-10

6. ENGINE HARNESS

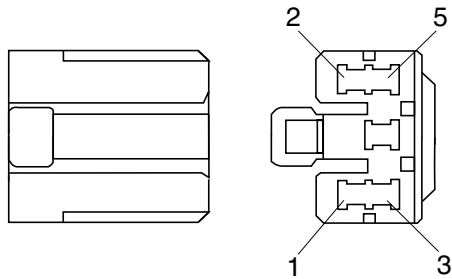
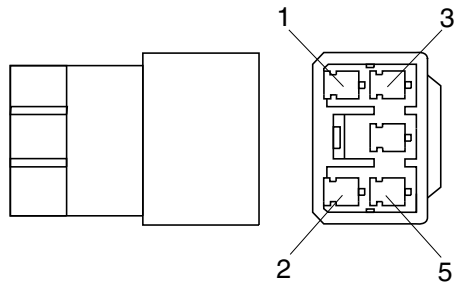
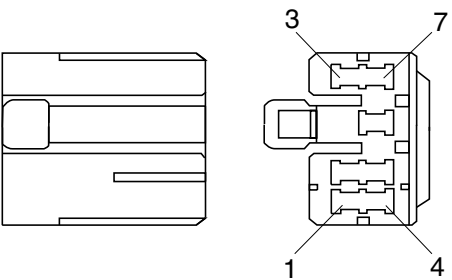
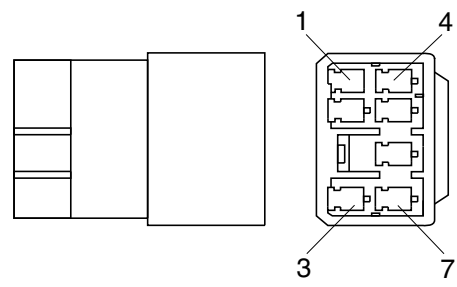
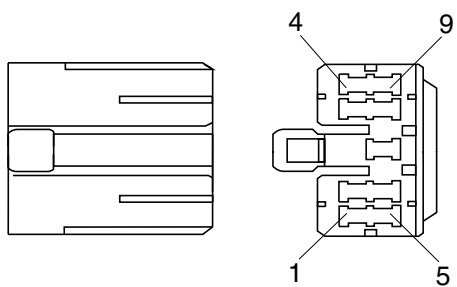
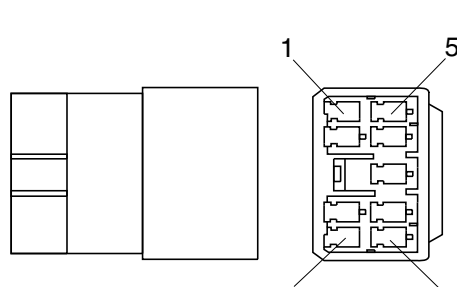
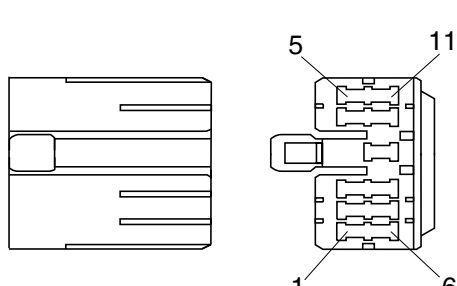
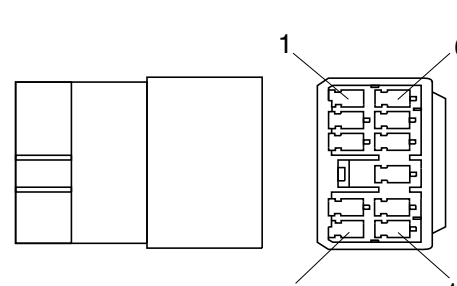
Connector number	Type	No. of pin	Destination	Connector part no.
CN-79	J/C	2	ENGINE STOP SOLENOID	DJ70217-6.3-20
CD-18	KSC 2620	1	ENGINE OIL PRESSURE	R1.25-4
CD-8	KSC 2620	1	COOLANT TEMP	R1.25-4
CN-45	KSC 2620 KET	1 1	STARTER	R14-8 ST710197
CN-74	KSC 2620 KSC 2620	1 1	ALTERNATOR	R14-8 R1.25-4
CN-96	KSC 2620 KSC 2620	1 1	POWER EARTH	R2.0-4 R2.0-12
CN-12	J/C	12	ENGINE SIDE	DJ7121-6.3-11
CN-97	KSC 2620	1	FAN CLUTCH	282080-1
EARTH 6	KSC 2620	1	EARTH	R3.0-14
RS-1	-	2	-	21Z2-30160

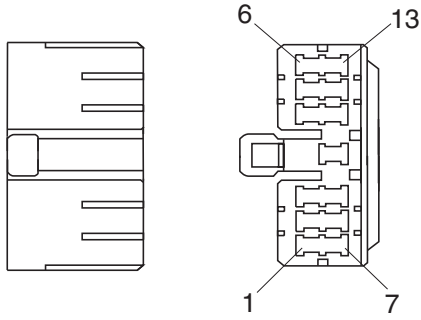
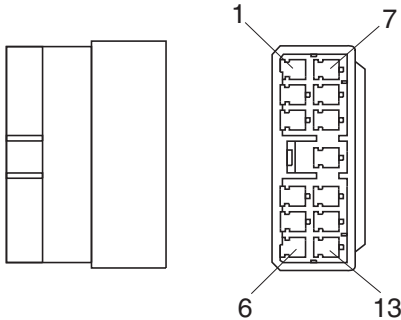
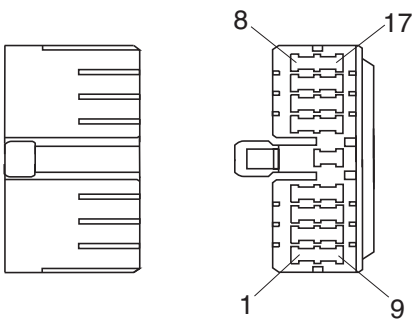
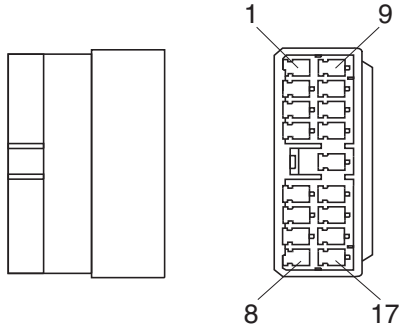
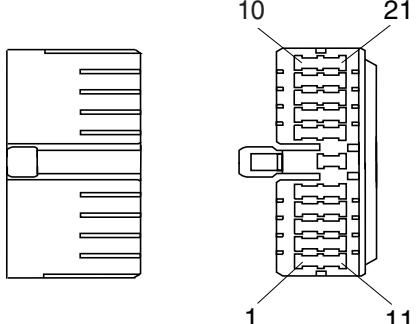
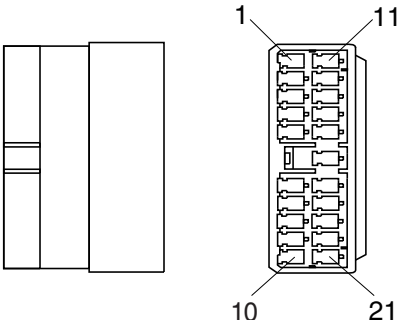
8. CONNECTION TABLE FOR CONNECTORS

1) 58-L TYPE CONNECTOR

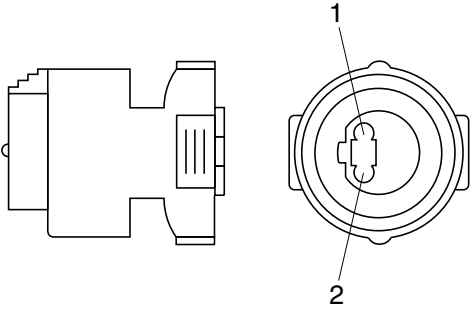
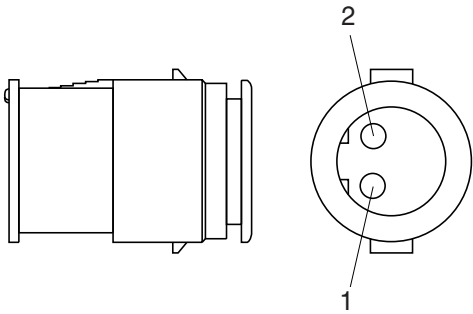
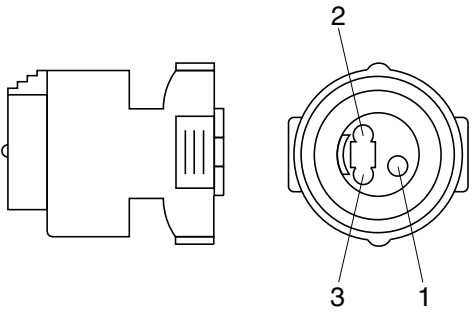
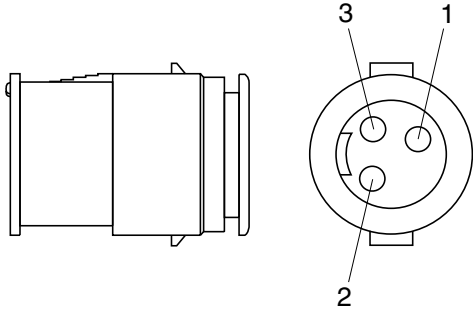
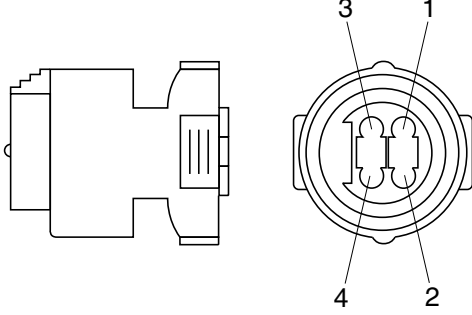
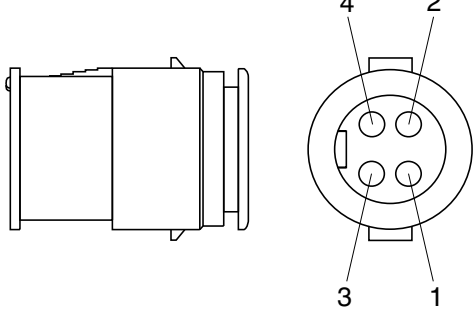
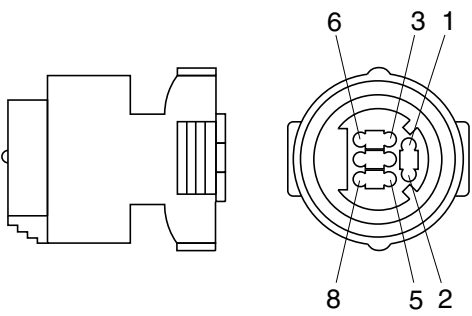
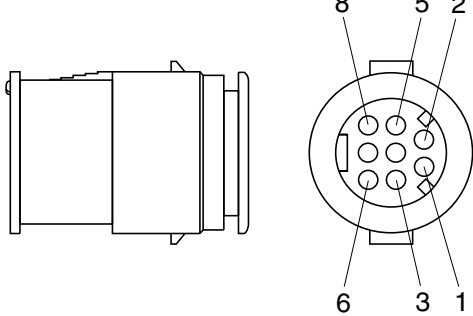
No. of pin	Receptacle connector (female)	Plug connector (male)
1	 <p data-bbox="699 723 847 757">S813-030100</p>	 <p data-bbox="1265 723 1414 757">S813-130100</p>
2	 <p data-bbox="699 1137 847 1171">S813-030200</p>	 <p data-bbox="1265 1137 1414 1171">S813-130200</p>

2) PA TYPE CONNECTOR

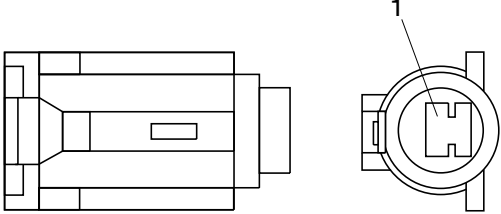
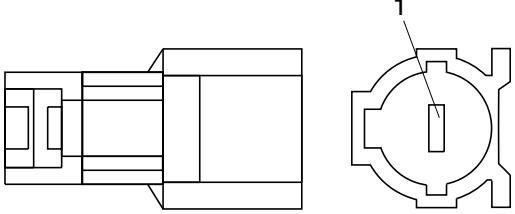
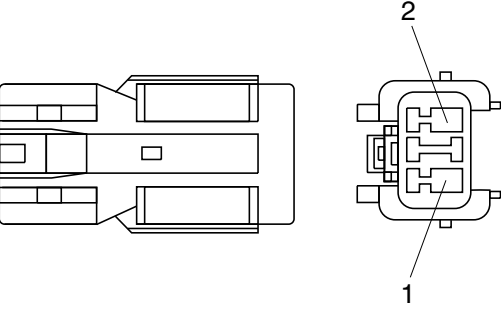
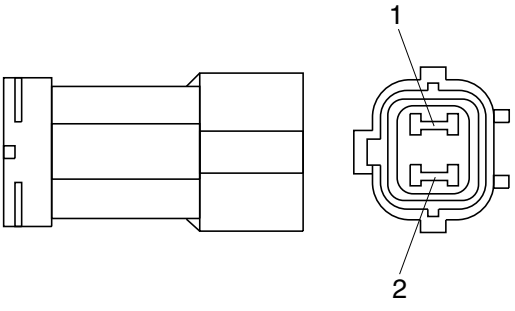
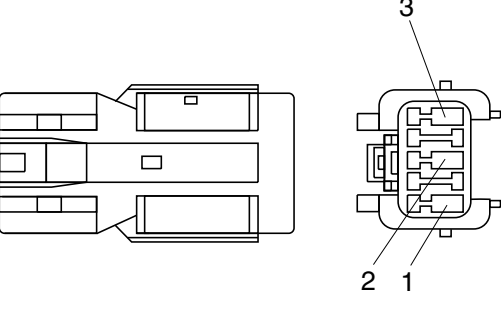
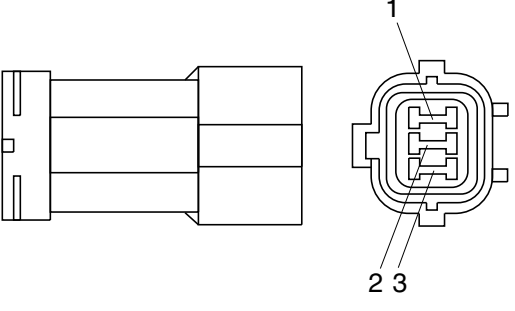
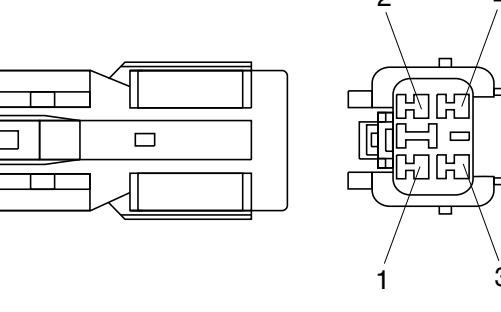
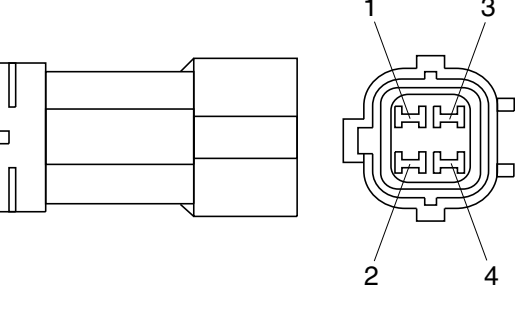
No. of pin	Receptacle connector (female)	Plug connector (male)
5	 <p data-bbox="686 667 837 705">S811-005002</p>	 <p data-bbox="1260 667 1412 705">S811-105002</p>
7	 <p data-bbox="686 1077 837 1115">S811-007002</p>	 <p data-bbox="1260 1077 1412 1115">S811-107002</p>
9	 <p data-bbox="686 1482 837 1520">S811-009002</p>	 <p data-bbox="1260 1482 1412 1520">S811-109002</p>
11	 <p data-bbox="686 1888 837 1926">S811-011002</p>	 <p data-bbox="1260 1888 1412 1926">S811-111002</p>

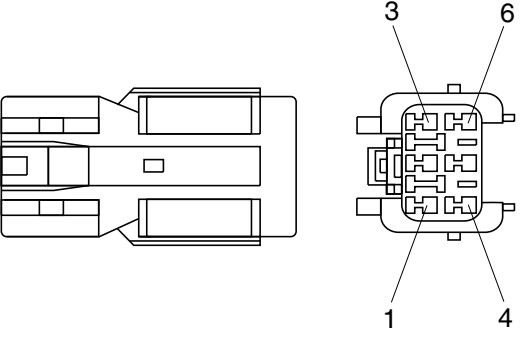
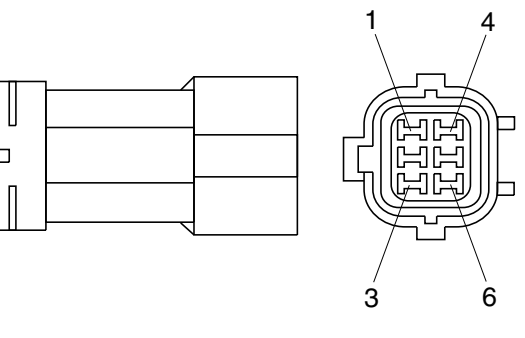
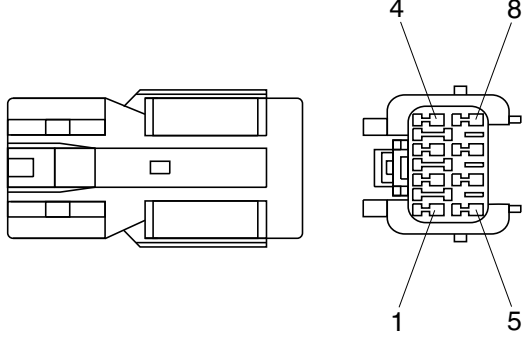
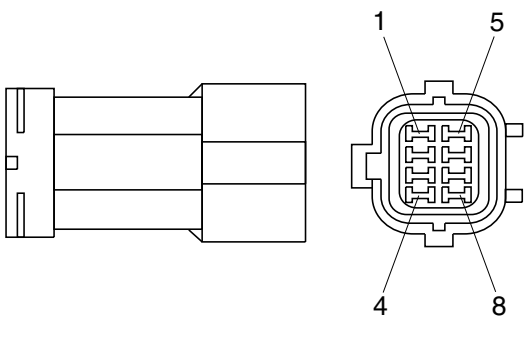
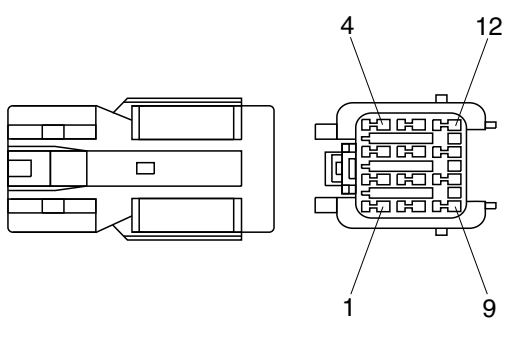
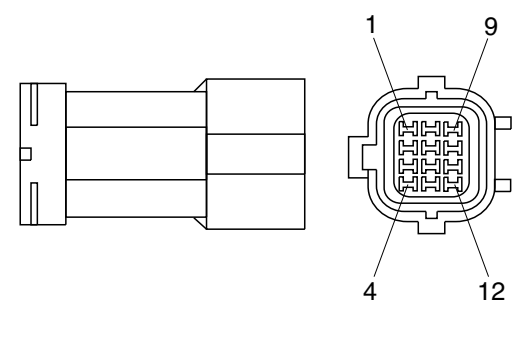
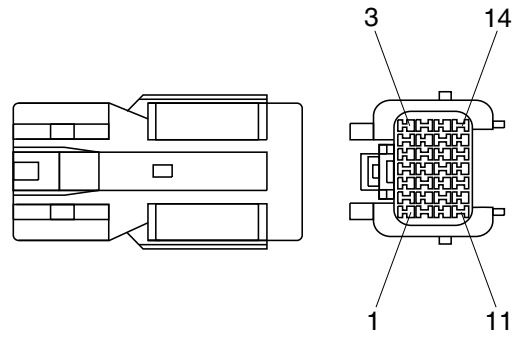
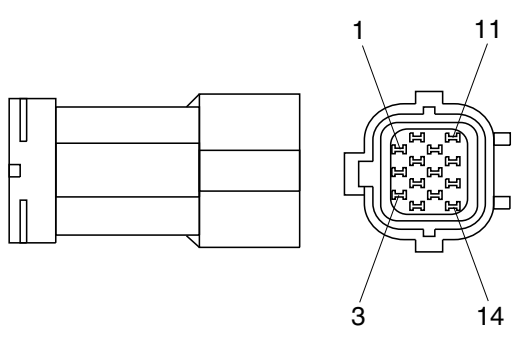
No. of pin	Receptacle connector (female)	Plug connector (male)
13	 <p data-bbox="691 633 842 663">S811-013002</p>	 <p data-bbox="1265 633 1423 663">S811-113002</p>
17	 <p data-bbox="691 1041 842 1070">S811-017002</p>	 <p data-bbox="1265 1041 1423 1070">S811-117002</p>
21	 <p data-bbox="691 1444 842 1473">S811-021002</p>	 <p data-bbox="1265 1444 1423 1473">S811-121002</p>

3) J TYPE CONNECTOR

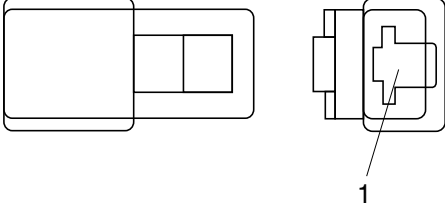
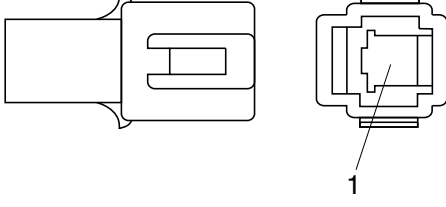
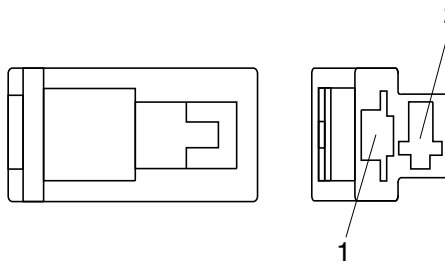
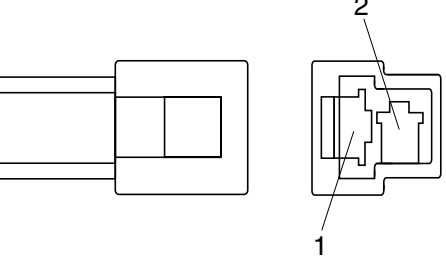
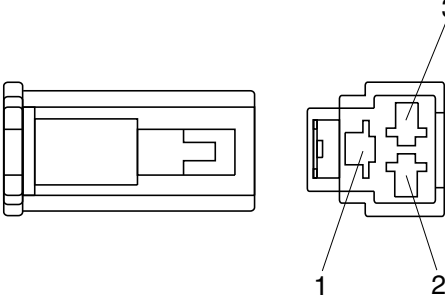
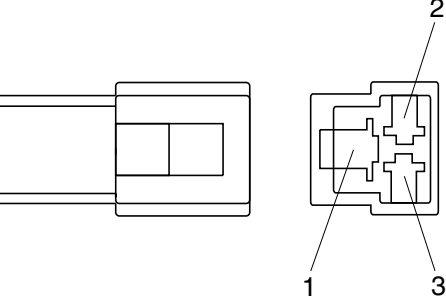
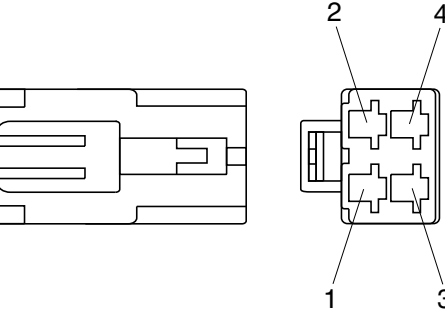
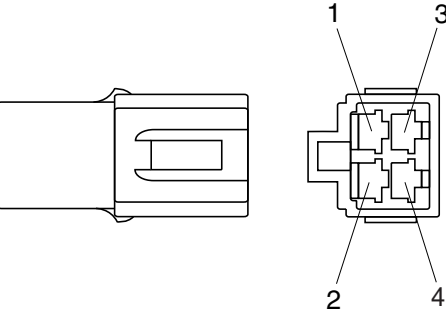
No. of pin	Receptacle connector (female)	Plug connector (male)
2	 <p style="text-align: center;">S816-002001</p>	 <p style="text-align: center;">S816-102001</p>
3	 <p style="text-align: center;">S816-003001</p>	 <p style="text-align: center;">S816-103001</p>
4	 <p style="text-align: center;">S816-004001</p>	 <p style="text-align: center;">S816-104001</p>
8	 <p style="text-align: center;">S816-008001</p>	 <p style="text-align: center;">S816-108001</p>

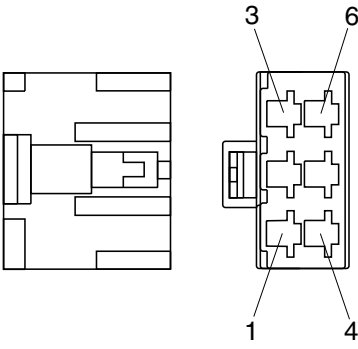
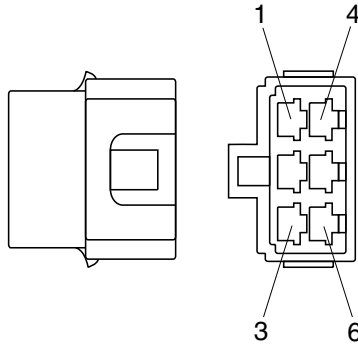
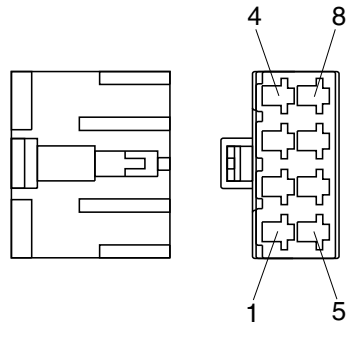
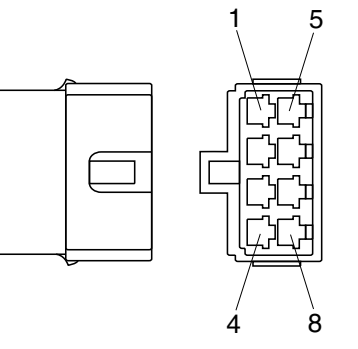
4) SWP TYPE CONNECTOR

No. of pin	Receptacle connector (Female)	Plug connector (male)
1	 <p data-bbox="691 680 839 707">S814-001000</p>	 <p data-bbox="1246 680 1394 707">S814-101000</p>
2	 <p data-bbox="691 1084 839 1111">S814-002000</p>	 <p data-bbox="1246 1084 1394 1111">S814-102000</p>
3	 <p data-bbox="691 1494 839 1520">S814-003000</p>	 <p data-bbox="1246 1494 1394 1520">S814-103000</p>
4	 <p data-bbox="691 1904 839 1930">S814-004000</p>	 <p data-bbox="1246 1904 1394 1930">S814-104000</p>

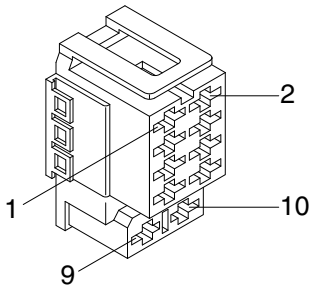
No. of pin	Receptacle connector (female)	Plug connector (male)
6	 <p data-bbox="694 627 837 660">S814-006000</p>	 <p data-bbox="1268 627 1412 660">S814-106000</p>
8	 <p data-bbox="694 1030 837 1064">S814-008000</p>	 <p data-bbox="1268 1030 1412 1064">S814-108000</p>
12	 <p data-bbox="694 1438 837 1471">S814-012000</p>	 <p data-bbox="1268 1438 1412 1471">S814-112000</p>
14	 <p data-bbox="694 1845 837 1879">S814-014000</p>	 <p data-bbox="1268 1845 1412 1879">S814-114000</p>

5) CN TYPE CONNECTOR

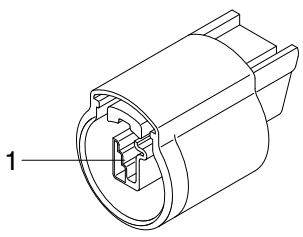
No. of pin	Receptacle connector (female)	Plug connector (male)
1	 <p data-bbox="691 674 839 703">S810-001202</p>	 <p data-bbox="1265 674 1414 703">S810-101202</p>
2	 <p data-bbox="691 1081 839 1111">S810-002202</p>	 <p data-bbox="1265 1081 1414 1111">S810-102202</p>
3	 <p data-bbox="691 1491 839 1520">S810-003202</p>	 <p data-bbox="1265 1491 1414 1520">S810-103202</p>
4	 <p data-bbox="691 1895 839 1924">S810-004202</p>	 <p data-bbox="1265 1895 1414 1924">S810-104202</p>

No. of pin	Receptacle connector (female)	Plug connector (male)
6	 <p data-bbox="694 638 837 672">S810-006202</p>	 <p data-bbox="1244 638 1388 672">S810-106202</p>
8	 <p data-bbox="694 1041 837 1075">S810-008202</p>	 <p data-bbox="1244 1041 1388 1075">S810-108202</p>

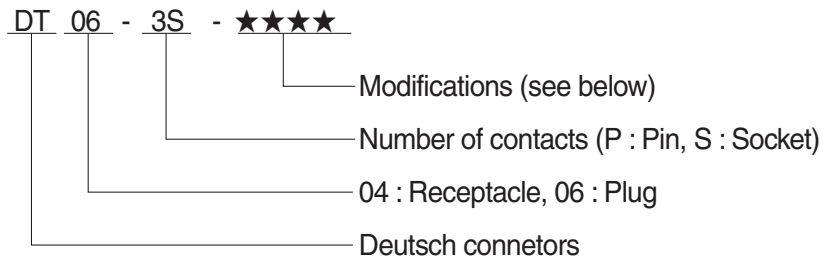
6) ITT SWF CONNECTOR

No. of pin	Receptacle connector (female)	Plug connector (male)
10	 <p style="text-align: right;">SWF593757</p>	

7) MWP NMWP CONNECTOR

No. of pin	Receptacle connector (female)	Plug connector (male)
1	 <p style="text-align: right;">NMWP01F-B</p>	

8) DEUTSCH DT CONNECTORS



※ Modification

E003 : Standard end cap - gray

E004 : Color of connector to be black

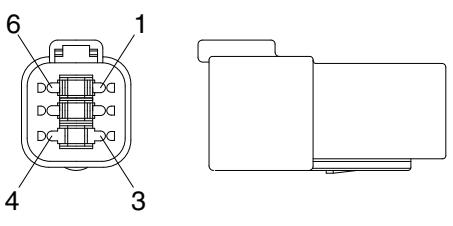
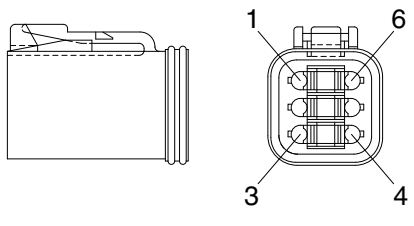
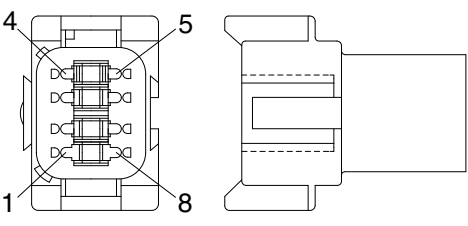
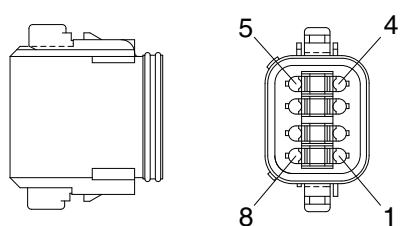
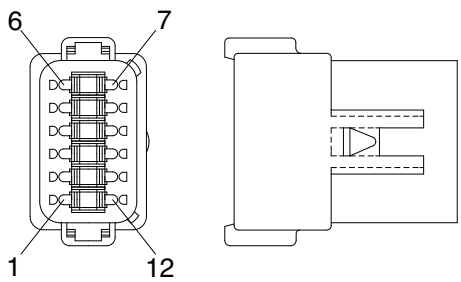
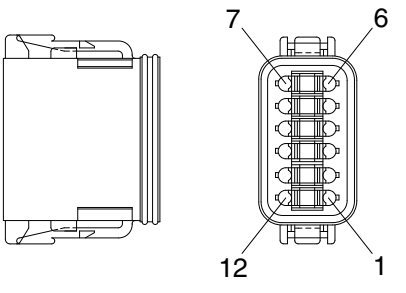
E005 : Combination - E004 & E003

EP04 : End cap

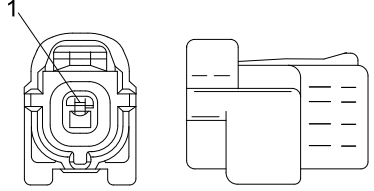
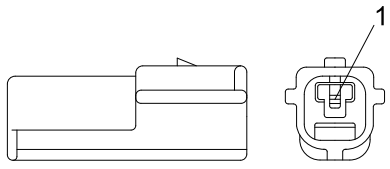
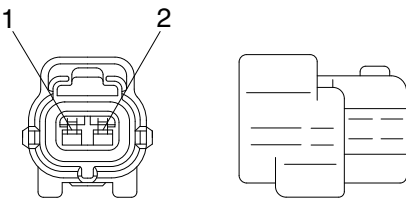
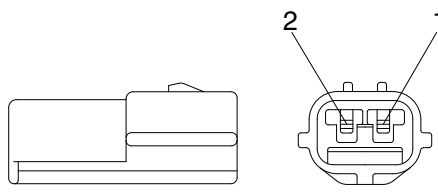
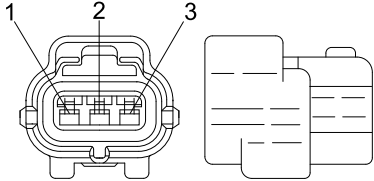
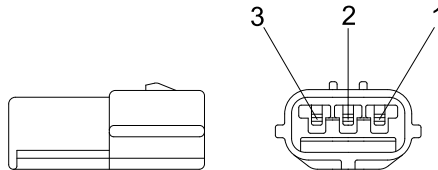
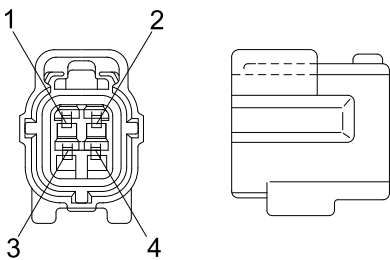
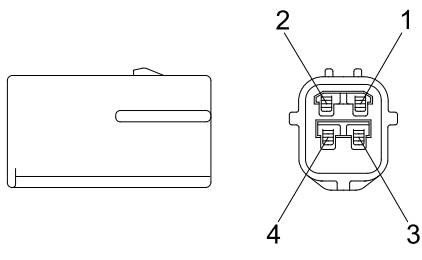
EP06 : Combination P012 & EP04

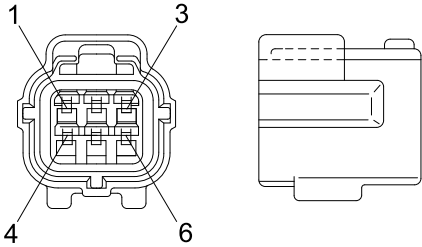
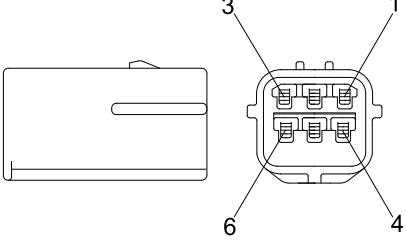
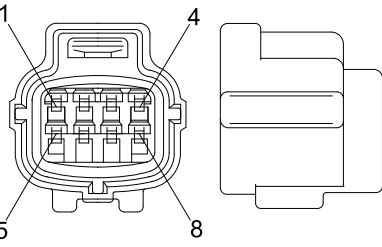
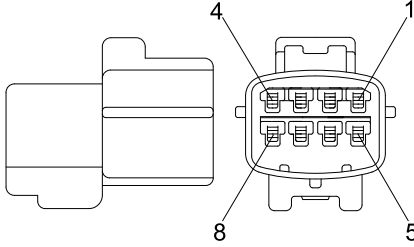
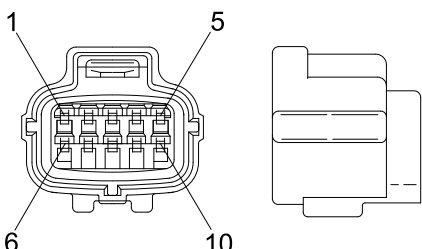
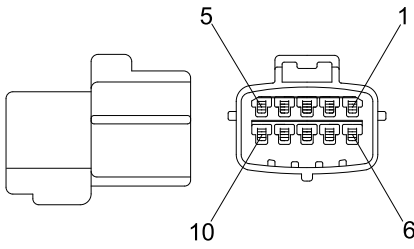
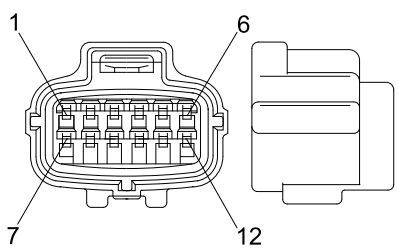
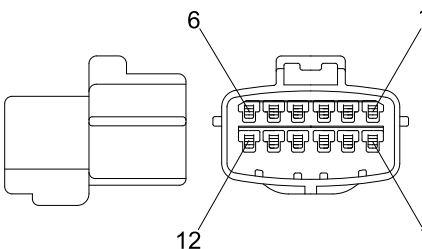
P012 : Front seal enhancement - connectors color to black for 2, 3, 4 & 6pin

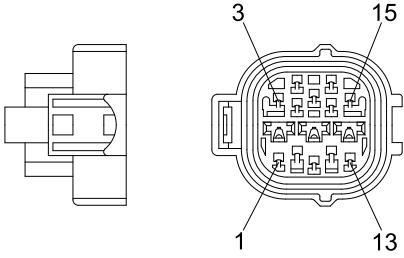
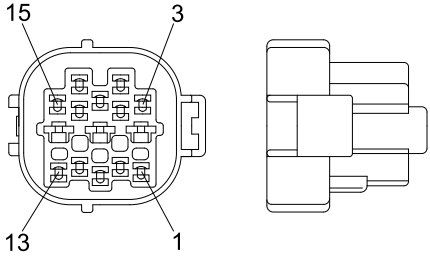
No. of pin	Receptacle connector (female)	Plug connector (male)
2	<p>DT06-2S</p>	<p>DT04-2P</p>
3	<p>DT06-3S</p>	<p>DT04-3P</p>
4	<p>DT06-4S</p>	<p>DT04-4P</p>

No. of pin	Receptacle connector (female)	Plug connector (male)
6	 <p style="text-align: right;">DT06-6S</p>	 <p style="text-align: right;">DT04-6P</p>
8	 <p style="text-align: right;">DT06-8S</p>	 <p style="text-align: right;">DT04-8P</p>
12	 <p style="text-align: right;">DT06-12S</p>	 <p style="text-align: right;">DT04-12P</p>

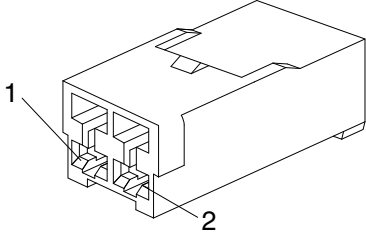
9) ECONOSEAL J TYPE CONNECTORS

No. of pin	Receptacle connector (female)	Plug connector (male)
1	 <p style="text-align: center;">S816-001002</p>	 <p style="text-align: center;">S816-101002</p>
2	 <p style="text-align: center;">S816-002002</p>	 <p style="text-align: center;">S816-102002</p>
3	 <p style="text-align: center;">S816-003002</p>	 <p style="text-align: center;">S816-103002</p>
4	 <p style="text-align: center;">S816-004002</p>	 <p style="text-align: center;">S816-104002</p>

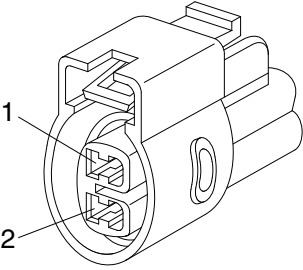
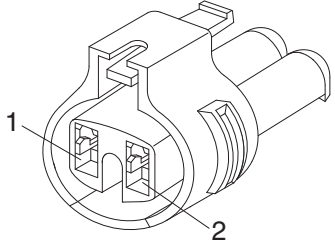
No. of pin	Receptacle connector (female)	Plug connector (male)
6	 <p data-bbox="694 627 837 660">S816-006002</p>	 <p data-bbox="1244 627 1388 660">S816-106002</p>
8	 <p data-bbox="694 1030 837 1064">S816-008002</p>	 <p data-bbox="1244 1030 1388 1064">S816-108002</p>
10	 <p data-bbox="694 1433 837 1467">S816-010002</p>	 <p data-bbox="1244 1433 1388 1467">S816-110002</p>
12	 <p data-bbox="694 1836 837 1870">S816-012002</p>	 <p data-bbox="1244 1836 1388 1870">S816-112002</p>

No. of pin	Receptacle connector (female)	Plug connector (male)
15	 <p data-bbox="730 636 836 663">368301-1</p>	 <p data-bbox="1283 636 1388 663">2-85262-1</p>

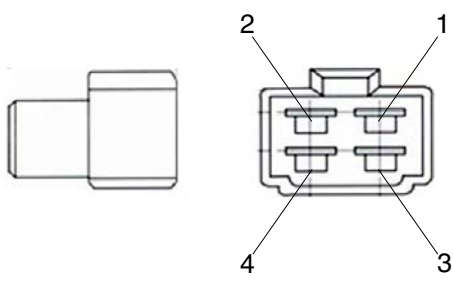
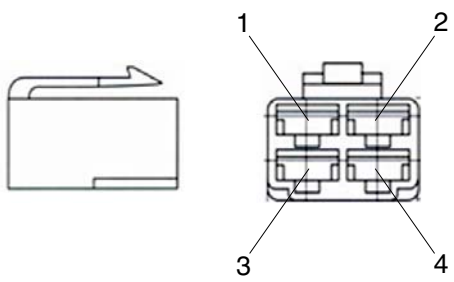
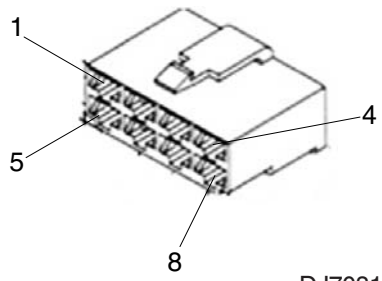
10) KET 090 CONNECTOR

No. of pin	Receptacle connector (female)	Plug connector (male)
2	 <p data-bbox="715 1236 836 1263">MG610070</p>	

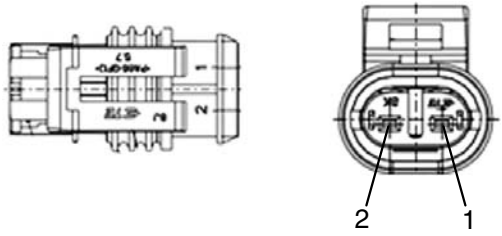
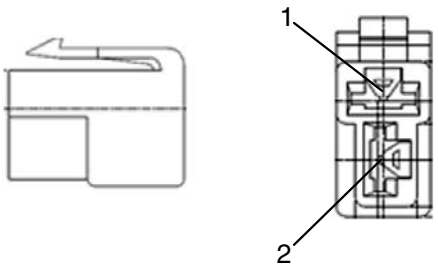
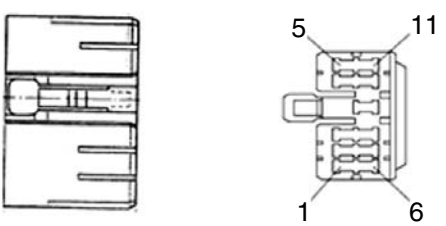
11) KET 090 WP CONNECTORS

No. of pin	Receptacle connector (female)	Plug connector (male)
2	 <p style="text-align: right;">MG640605</p>	
2	 <p style="text-align: right;">MG640795</p>	

12) CHINA CONNECTORS

No. of pin	Receptacle connector (female)	Plug connector (male)
4	 <p style="text-align: right;">DJ7041-6.3-11</p>	 <p style="text-align: right;">DJ7041-6.3-21</p>
8		 <p style="text-align: right;">DJ7081-6.3-21</p>

13) TYCO CONNECTOR

No. of pin	Receptacle connector (female)	Plug connector (male)
2		 <p style="text-align: right;">282080-1</p>
2		 <p style="text-align: right;">174198-1</p>
11		 <p style="text-align: right;">172497-1</p>