

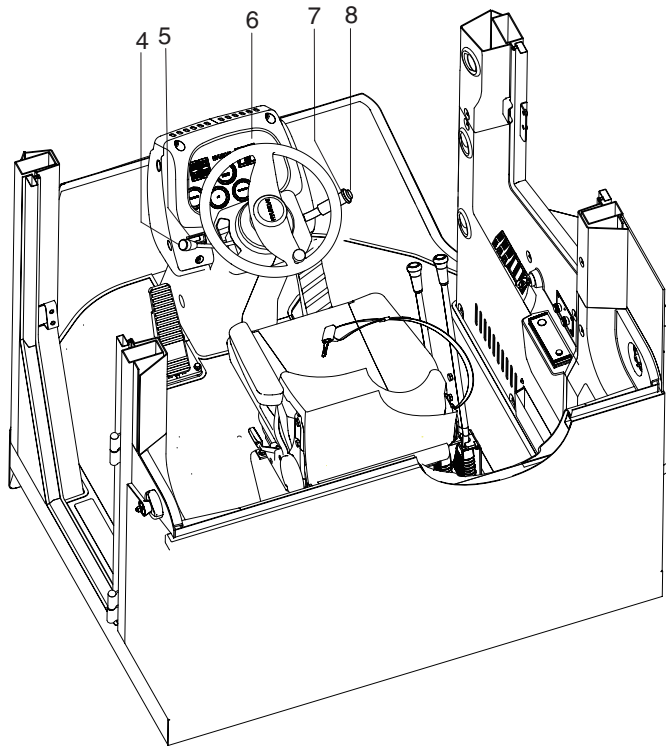
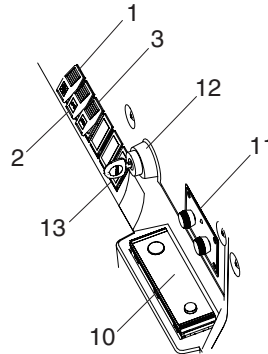
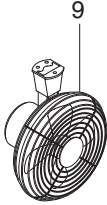
SECTION 6 ELECTRICAL SYSTEM

Group 1 Component Location	6-1
Group 2 Electrical Circuit	6-3
Group 3 Monitoring System	6-4
Group 4 Connectors	6-11

SECTION 6 ELECTRICAL SYSTEM

GROUP 1 COMPONENT LOCATION

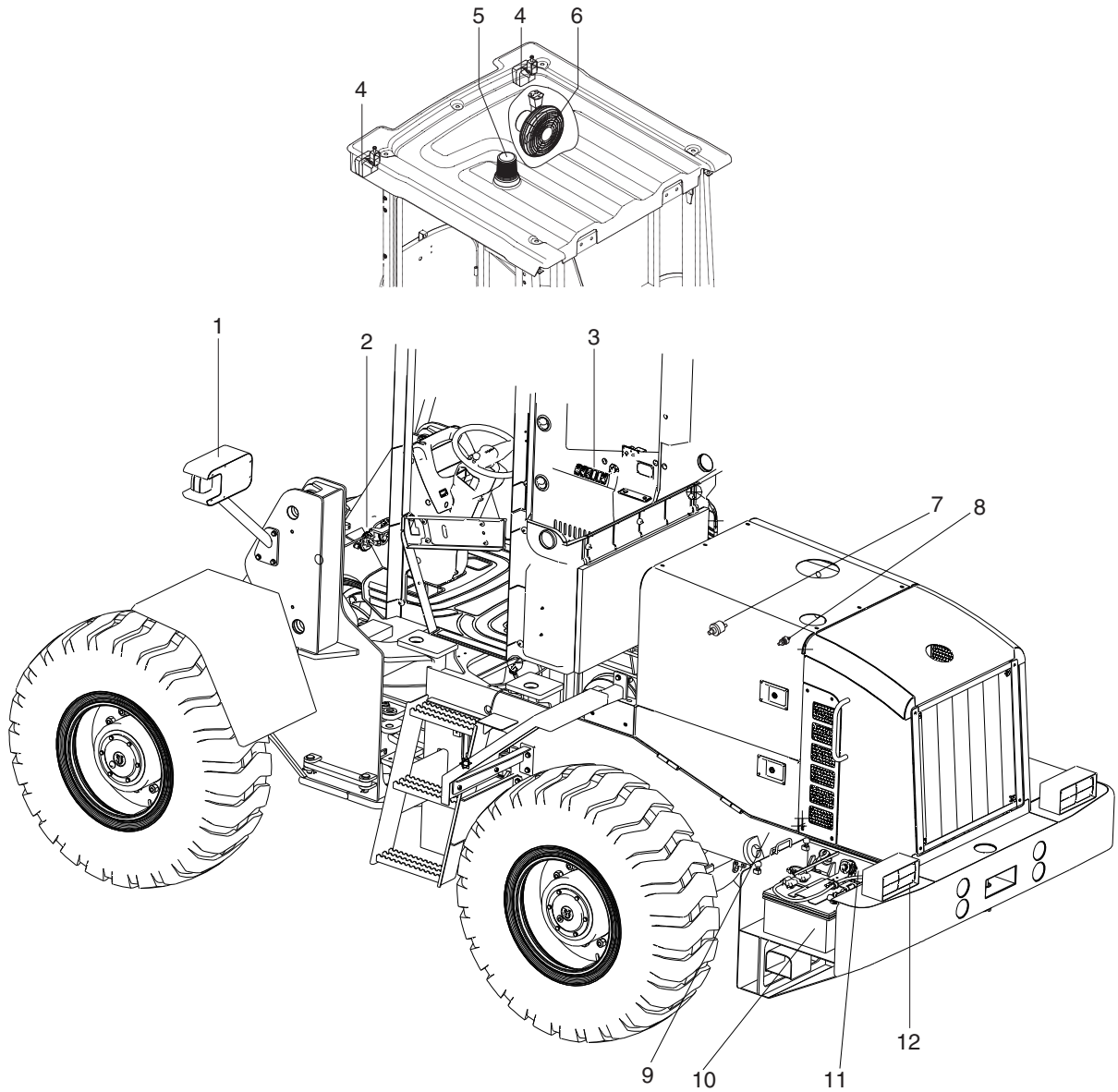
1. LOCATION 1



830S3CD02

- | | | | | | |
|---|------------------------|----|-----------------------|----|--------------------------|
| 1 | Head lamp switch | 6 | Dashboard | 11 | Aircon and heater switch |
| 2 | Work lamp switch | 7 | Multi function switch | 12 | Starting Switch |
| 3 | Beacon switch (option) | 8 | Horn button | 13 | Engine stop switch |
| 4 | Gear selector lever | 9 | Electric fan | | |
| 5 | Hazard switch | 10 | Radio and MP3 player | | |

2. LOCATION 2



830S6EL01

- | | | | | | |
|---|-----------------------|----|----------------------------|----|-----------------|
| 1 | Head lamp | 6 | Electric fan | 11 | Power switch |
| 2 | Horn | 7 | Coolant temperature sensor | 12 | Rear combi lamp |
| 3 | Multi function switch | 8 | Engine oil pressure sensor | | |
| 4 | Work lamp | 9 | Reverse warning tone | | |
| 5 | Beacon lamp | 10 | Battery | | |