

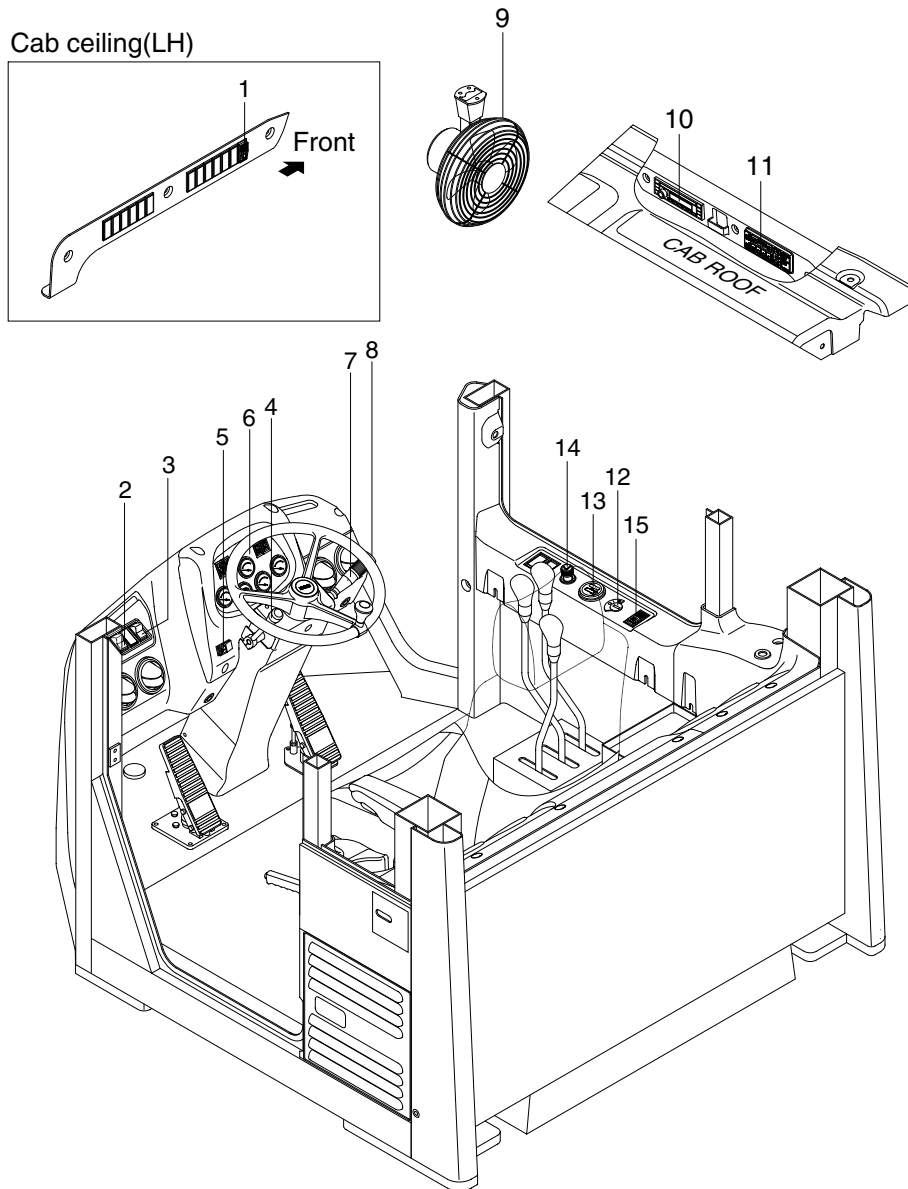
## SECTION 6 ELECTRICAL SYSTEM

Group 1 Component location .....	6-1
Group 2 Electrical circuit .....	6-3
Group 3 Monitoring system .....	6-4
Group 4 Connector .....	6-11

# SECTION 6 ELECTRICAL SYSTEM

## GROUP 1 COMPONENT LOCATION

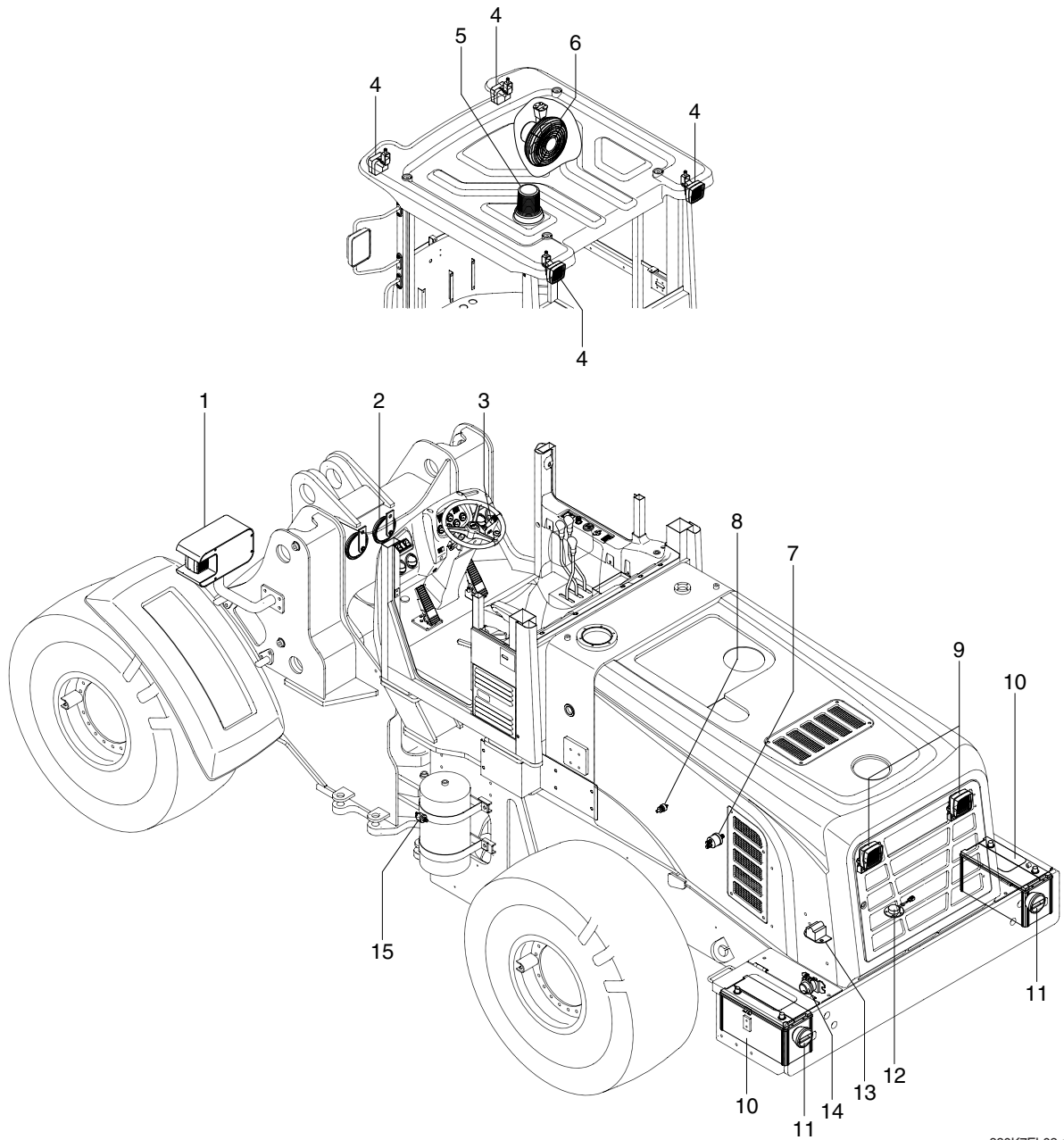
### 1. LOCATION 1



830K7EL02E

- |                             |                             |                                      |
|-----------------------------|-----------------------------|--------------------------------------|
| 1 Beacon switch             | 7 Multi function switch     | 13 Battery volt meter and hour meter |
| 2 Work lamp switch          | 8 Horn button               | 14 Cigar lighter                     |
| 3 Front wiper/washer switch | 9 Electric fan              | 15 Engine stop switch                |
| 4 Gear selector lever       | 10 Aircon and heater switch |                                      |
| 5 Hazard switch             | 11 Radio and MP3 player     |                                      |
| 6 Cluster                   | 12 Starting Switch          |                                      |

## 2. LOCATION 2



830K7EL02-1

- |   |                       |    |                            |    |                          |
|---|-----------------------|----|----------------------------|----|--------------------------|
| 1 | Head lamp             | 6  | Electric fan               | 11 | Rear combi lamp          |
| 2 | Horn                  | 7  | Coolant temperature sensor | 12 | Fuel sender              |
| 3 | Multi function switch | 8  | Engine oil pressure sensor | 13 | Back buzzer              |
| 4 | Work lamp             | 9  | Work lamp                  | 14 | Battery relay            |
| 5 | Beacon lamp           | 10 | Battery                    | 15 | Air tank pressure switch |