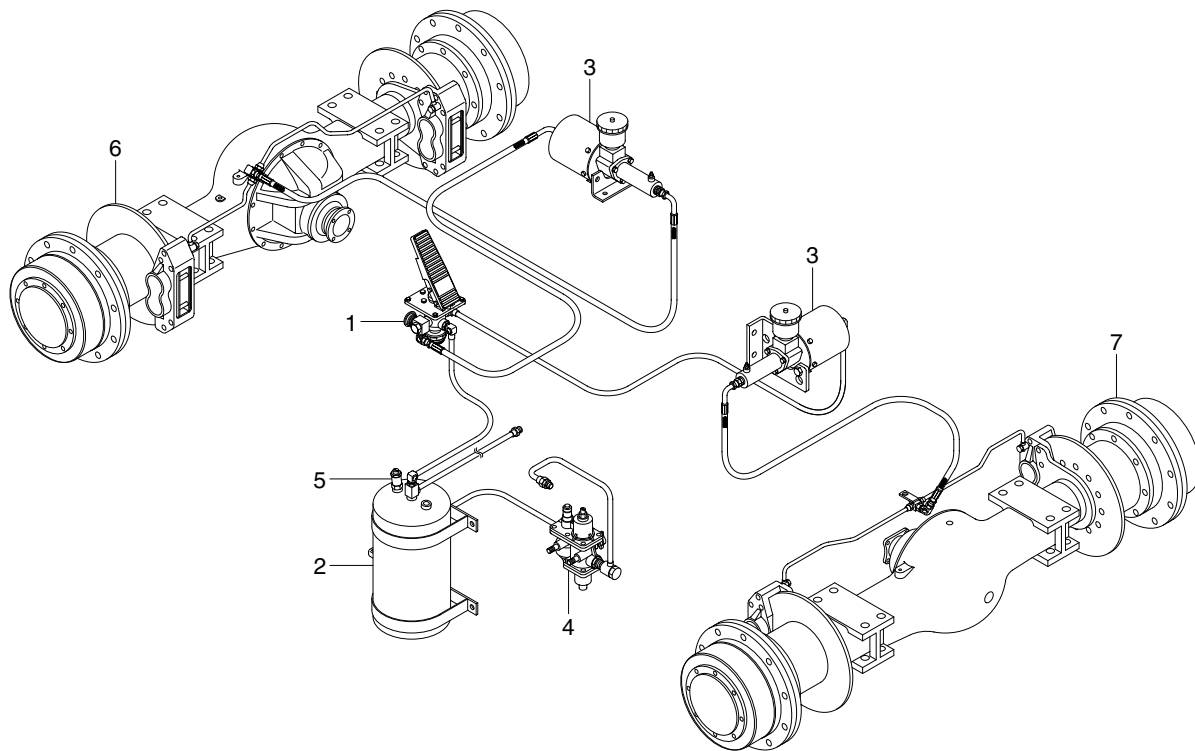


SECTION 3 BRAKE SYSTEM

Group 1 Structure	3-1
Group 2 Air brake circuit	3-2
Group 3 Components specification and function	3-3

SECTION 3 BRAKE SYSTEM

GROUP 1 STRUCTURE



830KBS01

- | | | | |
|---|-------------------------|---|--------------|
| 1 | Air brake valve | 5 | Safety valve |
| 2 | Air tank | 6 | Front axle |
| 3 | Air booster | 7 | Rear axle |
| 4 | Oil and water separator | | |