

GROUP 4 CONNECTOR

1. MAIN HARNESS

Connector number	Type	No. of pin	Destination	Connector part no.
CL-2	HES	1	CIGAR	S810-001202 S822-014000 S822-114000
CS-2	HES	6	START SWITCH	S814-006000
CN-125	CHINA	4	GPS	DJ7041-6.3-21
CN-125A	CHINA	4	GPS	DJ7041-6.3-11
CN-171	TYCO	2	SERVICE SOCKET	174198-1
CS-26	TYCO	3	PARKING BRAKE LEVER	174200-1
CS-79	SWF	10	ENGINE STOP SWITCH	174200-1
CN-22	-	2	FRONT WASHER	MG640605
CR-55	HELLA	5	WORK LAMP (FR) RELAY	8JA003526-001
CR-3			WORK LAMP (RR) RELAY	
CR-40			LOW BEAM RELAY	
CR-2			HORN RELAY	
CR-63			STOP LAMP RELAY	
CR-35			POWER RELAY	
CR-21			CLEARANCE LAMP RELAY	
CR-30			HIGH BEAM RELAY	
CR-33			AIRCON CONDENSOR FAN RELAY	
CR-7			AIRCON COMPRESSOR RELAY	
CR-58			BACK UP BUZZER RELAY	
CR-11			FLASHER UNIT RELAY	
CR-79			ENGINE STOP BUZZER	
CN-37			-	
CN-26	TYCO	2	WARNING BUZZER	174198-1
CN-1	HES	2	REAR FRAME SIDE 1	S813-130200
CN-2	TYCO	15	REAR FRAME SIDE 2	368301-1
CN-3	TYCO	15	REAR FRAME SIDE 3	2-85262-1
CN-11	DEUTSCH	8	HEATER SIDE	DT06-8S
EARTH4	KSC 2620	1	-	R8-10
CN-9	CHINA	8	-	DJ7081-6.3-21
CN-7	CHINA	8	-	DJ7081-6.3-21
CN-4	TYCO	16	TO DASH	368047-1
CN-5	TYCO	15	TO DASH	85223-1
CN-48	MOLEX	8	HOURMETER & VOLTMETER	39-01-2085

2. CAB HARNESS

Connector number	Type	No. of pin	Destination	Connector part no.
CN-7	CHINA	8	CAB CHASSIS SIDE	DJ7081-6.3-11
CL-7	TYCO	2	BEACON	174198-1
CN-23 CN-24	KET	2	SPEAKER	7123-1520
CL-1	-	3	ROOM LAMP	MG651032
CN-27	-	16	RADIO & MP3 player	PK145-16017
CL-5	DEUTSCH	2	WORK LAMP, FRONT	DT06-2S
CL-6	DEUTSCH	2	WORK LAMP, FRONT	DT06-2S
CL-22	DEUTSCH	2	WORK LAMP, REAR	DT06-2S
CL-23	DEUTSCH	2	WORK LAMP, REAR	DT06-2S
CS-23	SWF	10	BEACON SWITCH	593757
EARTH7	KSC 2620	1	RING TERMINAL	R3-10
AC-3	-	2	FAN	DJ7021-6.3-10

3. DASHBOARD HARNESS

Connector number	Type	No. of pin	Destination	Connector part no.
CS-11	TYCO	11	TURN LEVER	172497-1
CN-21	TYCO	6	FRONT WIPER	936257-1
CS-41	SWF	10	HAZARD SWITCH	593757
CN-56	TYCO	16	GAUGE BOARD SIDE	368047-1
CN-4	TYCO	16	TO MAIN	368050-1
CN-5	TYCO	15	TO MAIN	2-85262-1
CS-35	SWF	10	WIPER SWITCH	593757
CS-36	SWF	10	WORK LAMP SWITCH	593757
CS-45	SWF	2	BACK-UP SWITCH	MATING WITH DJ7021-6.3-10

4. REAR FRAME HARNESS

Connector number	Type	No. of pin	Destination	Connector part no.
CD-49	KET	1	TM TEMP	710197
CD-48	KET	1	TM OIL PRESSURE	710197
CD-3	KET	1×2	AIR PRESSURE	710197
CD-4	KET	1×2	STOP LAMP SWITCH	710197
CN-65	DEUTSCH	2	BACK BUZZER	DT06-2S
CL-16	HES	4	REAR COMBI-RH	S814-004000
CL-15	HES	4	REAR COMBI-LH	S814-004000
CN-29	-	2	AIRCON PRESSURE SWITCH	MG 640795
CN-83	KUM	2	FAN	PB625-02027
CN-95	HES	2	FUSIBLE LINK	S813-130200
	-	2	FUSIBLE LINK	21EA-40171
DO-2	-	2	DIODE	S816-002002
	-	2	DIODE	21EA-50550
CR-1	HES	1×2	BATTERY RELAY	S820-104002
EARTH2	KSC 2620	1	RING TERMINAL	R5-10
CN-1	HES	2	-	S813-030200
CN-2	TYCO	15	-	2-85262-1
CN-3	TYCO	15	-	368301-1
CN-12	CHINA	12	-	DJ7041-6.3-21
CN-71	CHINA	2	-	DJ7041-6.3-21
CD-2	-	2	-	S814-002000
CS-74	-	1	MASTER SWITCH (IF EQUIPPED)	S820-205000
	-	1	MASTER SWITCH (IF EQUIPPED)	ST710287-2

5. FRONT HARNESS

Connector number	Type	No. of pin	Destination	Connector part no.
CN-9	CHINA	8	FRONT FRAME, SIDE	DJ7081-6.3-11
CL-3	TYCO	3	COMBI-FRONT, LH	174200-1
CL-24	TYCO	2	HEAD LIGHT, LH	174198-1
CN-20	MOLEX	2	HORN-LOW	36825-0211
CN-25	MOLEX	2	HORN-HIGH	26825-0211
CL-4	TYCO	3	COMBI-FRONT, RH	174200-1
CL-25	TYCO	2	HEAD UGHT, RH	174198-1
EARTH3	KSC 2620	1	RING TERMINAL	R3-10

6. GAUGE HARNESS

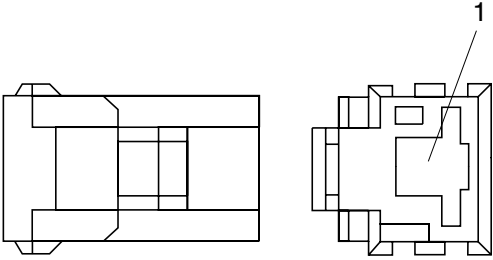
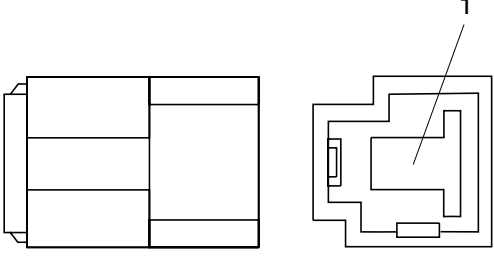
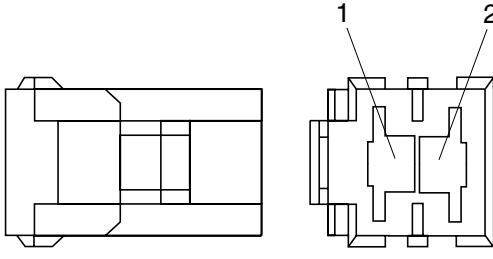
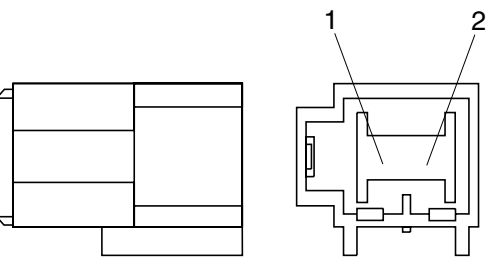
Connector number	Type	No. of pin	Destination	Connector part no.
CN-55 CN-53 CN-54 CN-52 CN-51	SWF KSC2620	2 1×3	BARO METER TC TEMP GAUGE FUEL LEVEL GAUGE ENGINE COOLANT TEMP TM OIL PRESSURE	913328 R 1.25-4
CL-51 A,B CL-52 A,B CL-26 A,B CL-53 A,B	CHINA	2×2	TURN-LH, CHARGE HIGH BEAM, BRAKE LOW PRESSURE PARKING TURN-RH, ENGINE OIL PRESSURE	DJ702256-6.3-21
CN-56	TYCO	16	GAUGE BOARD	368050-1

7. ENGINE HARNESS

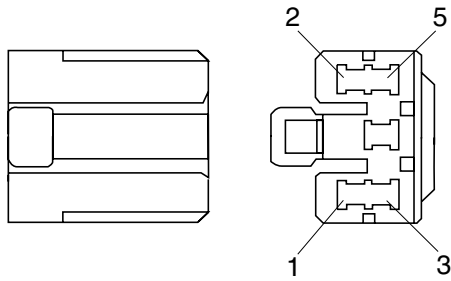
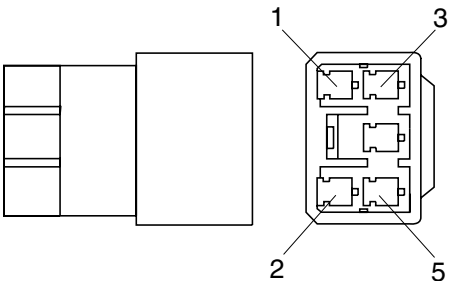
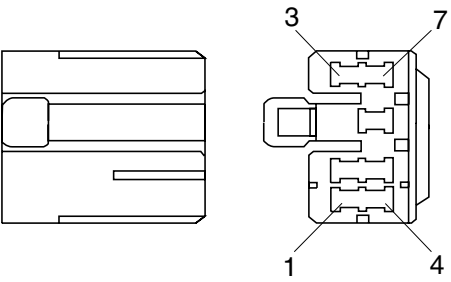
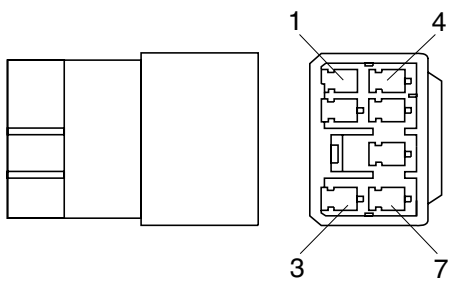
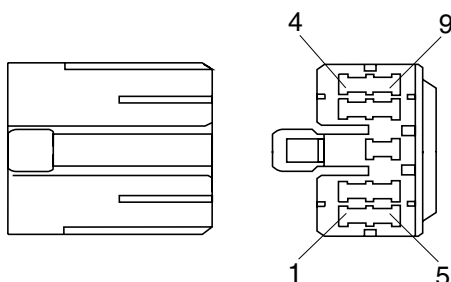
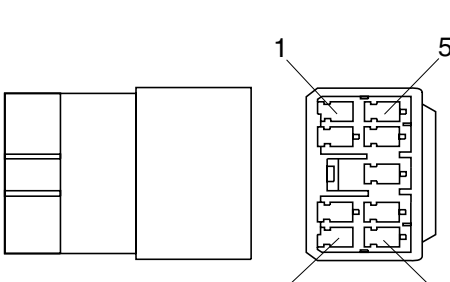
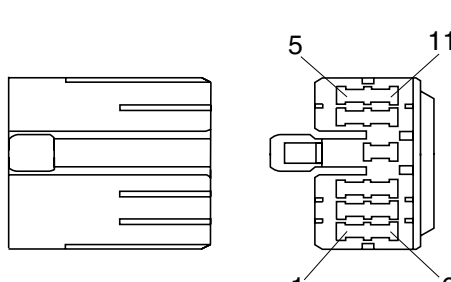
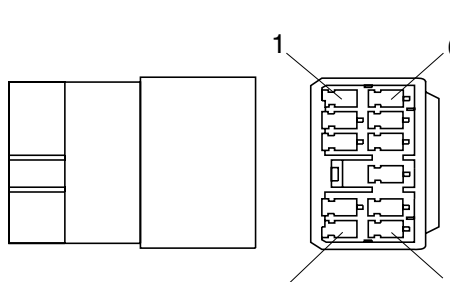
Connector number	Type	No. of pin	Destination	Connector part no.
CN-79	HES	3	FUEL CUT OFF SOL	S818-020311
CD-18	KSC 2620	1	ENGINE OIL PRESSURE	RI.25-4
CD-8	TYCO	1	COOLANT TEMP	RI.25-4
CR-23	KET	2×2	START RELAY	ST710384-2 ST710589-2
CN-45	KSC 2620 KET	1 1	STARTER	R14-12 ST710246-2
CN-74	KSC 2620 KSC 2620	1 1	ALTERNATOR	R14-8 RI.25-4
CN-12	TYCO	12	ENGINE SIDE	DJ7121-6.3-11
CN-28	KSC 2620 KSC 2620	1 1	COMPRESSOR	NMWP01F-B RI.25-10

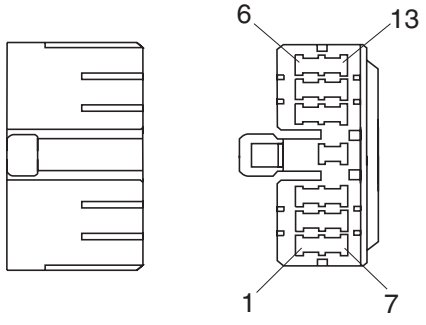
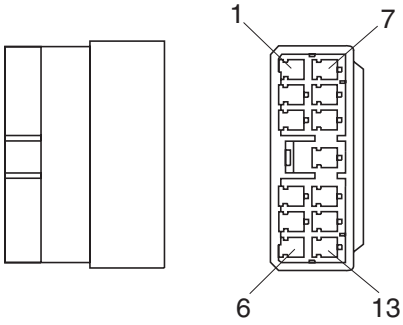
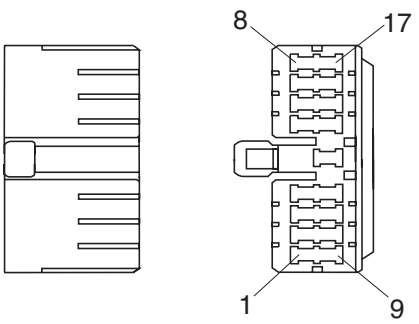
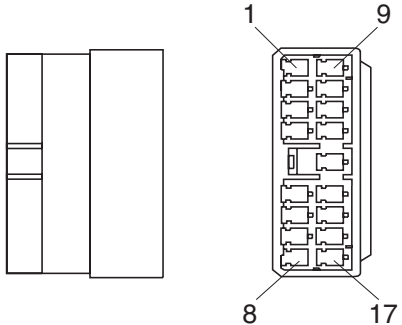
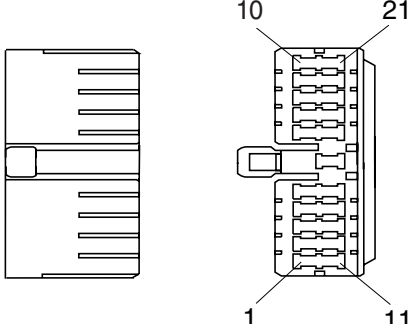
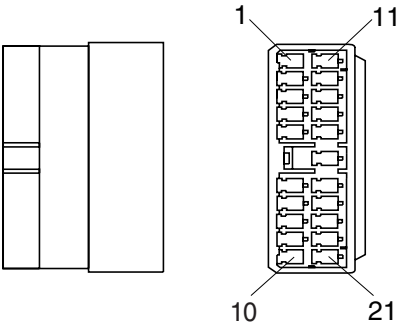
8. CONNECTION TABLE FOR CONNECTORS

1) 58-L TYPE CONNECTOR

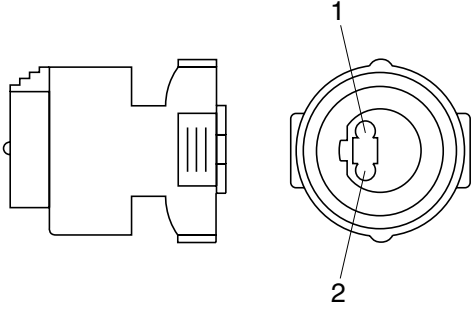
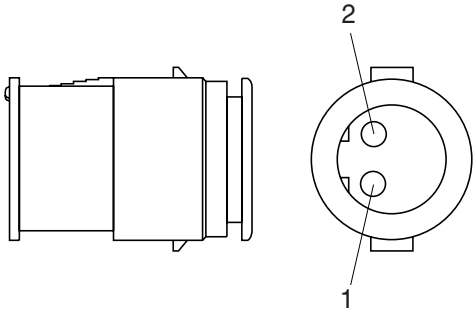
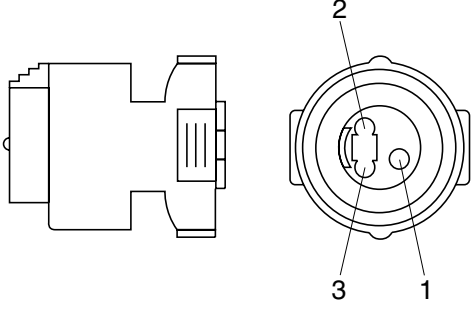
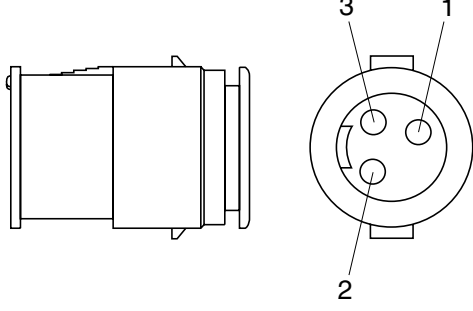
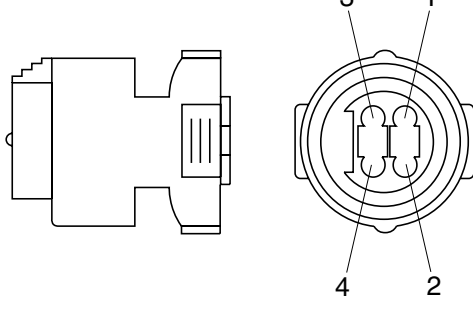
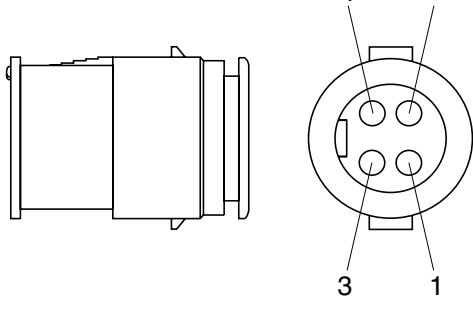
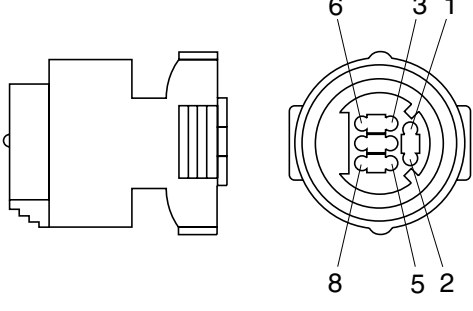
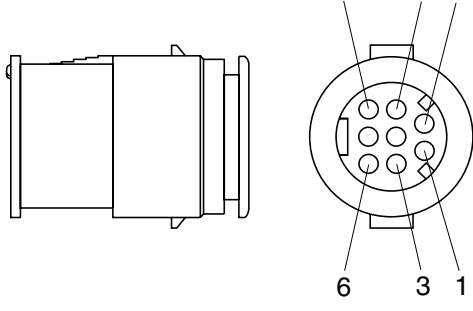
No. of pin	Receptacle connector (female)	Plug connector (male)
1	 <p data-bbox="699 725 847 757">S813-030100</p>	 <p data-bbox="1270 725 1418 757">S813-130100</p>
2	 <p data-bbox="699 1137 847 1169">S813-030200</p>	 <p data-bbox="1270 1137 1418 1169">S813-130200</p>

2) PA TYPE CONNECTOR

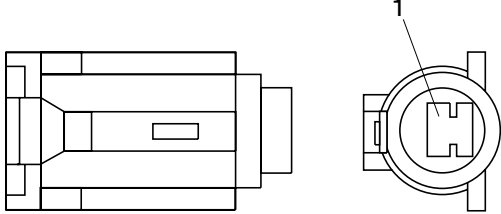
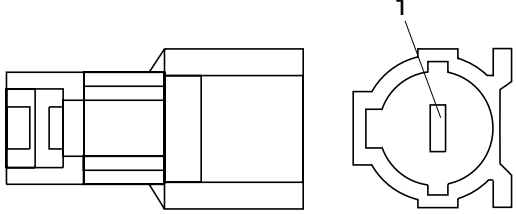
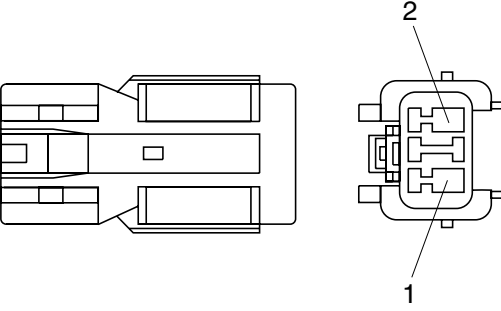
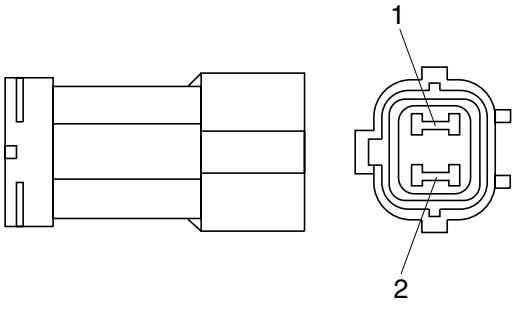
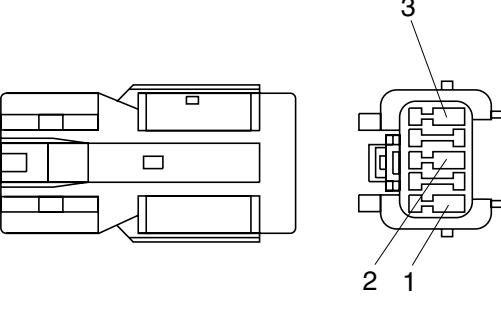
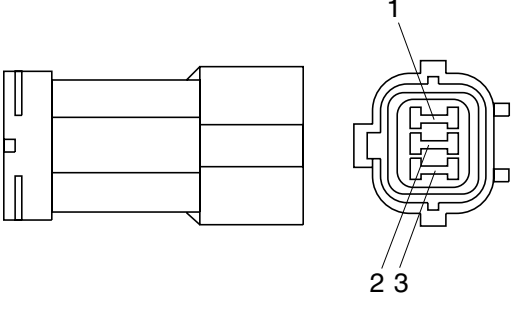
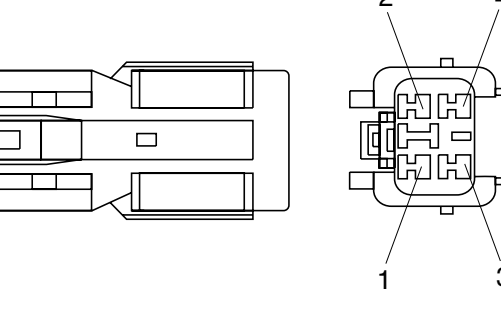
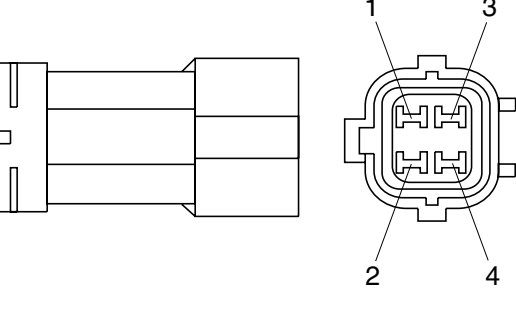
No. of pin	Receptacle connector (female)	Plug connector (male)
5	 <p data-bbox="687 667 836 701">S811-005002</p>	 <p data-bbox="1262 667 1410 701">S811-105002</p>
7	 <p data-bbox="687 1084 836 1117">S811-007002</p>	 <p data-bbox="1262 1084 1410 1117">S811-107002</p>
9	 <p data-bbox="687 1489 836 1523">S811-009002</p>	 <p data-bbox="1262 1489 1410 1523">S811-109002</p>
11	 <p data-bbox="687 1895 836 1928">S811-011002</p>	 <p data-bbox="1262 1895 1410 1928">S811-111002</p>

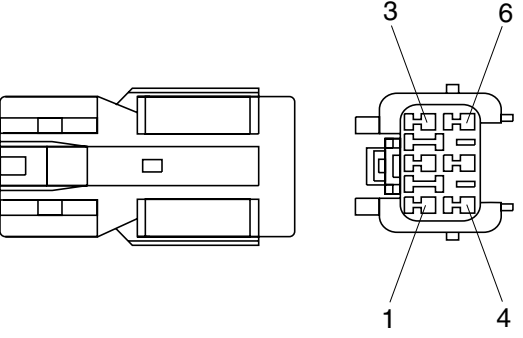
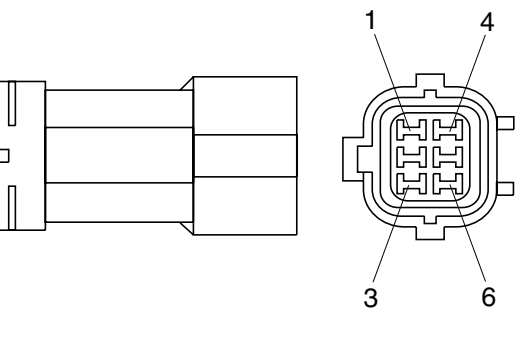
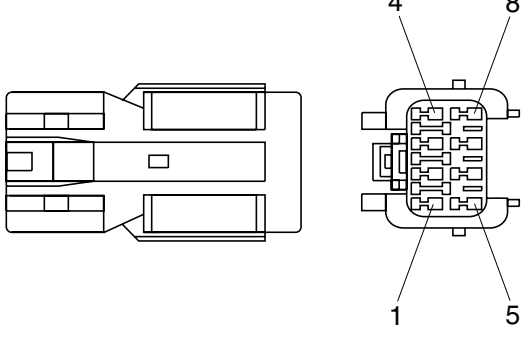
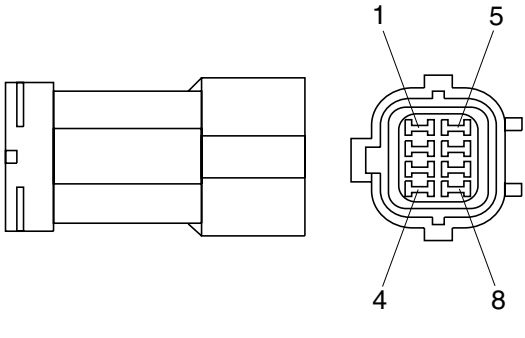
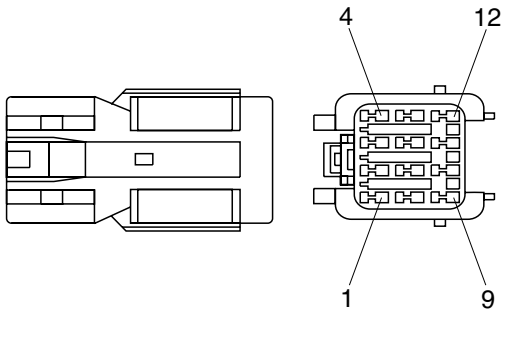
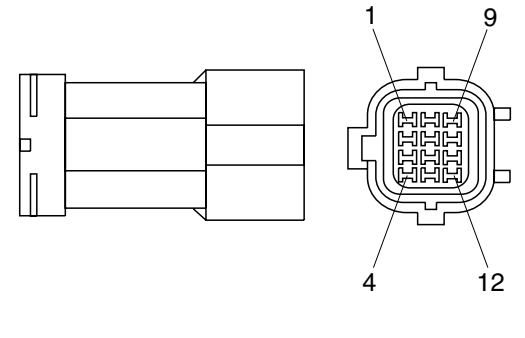
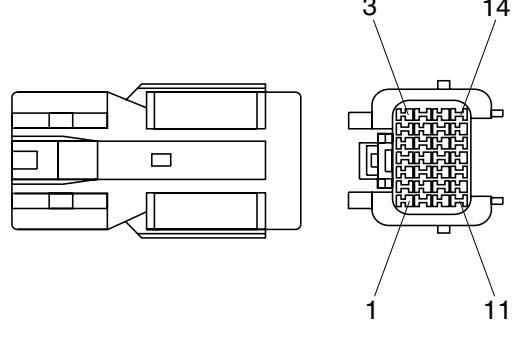
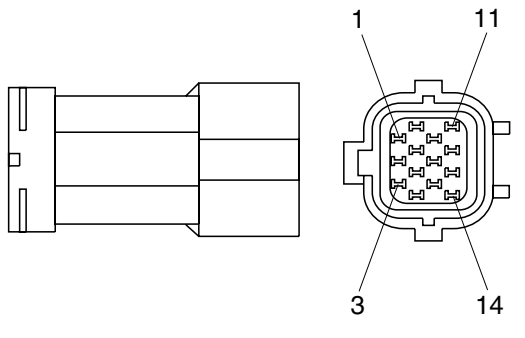
No. of pin	Receptacle connector (female)	Plug connector (male)
13	 <p style="text-align: center;">S811-013002</p>	 <p style="text-align: center;">S811-113002</p>
17	 <p style="text-align: center;">S811-017002</p>	 <p style="text-align: center;">S811-117002</p>
21	 <p style="text-align: center;">S811-021002</p>	 <p style="text-align: center;">S811-121002</p>

3) J TYPE CONNECTOR

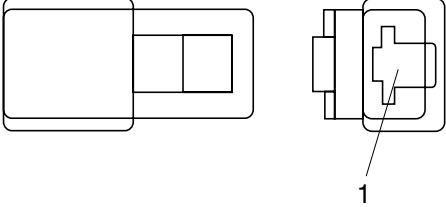
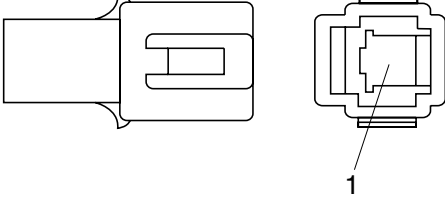
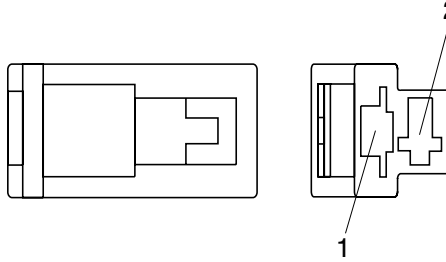
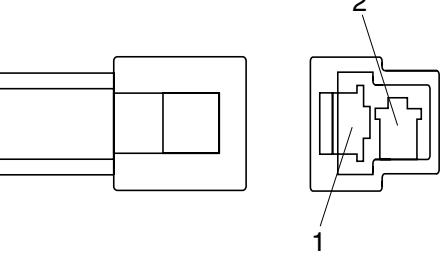
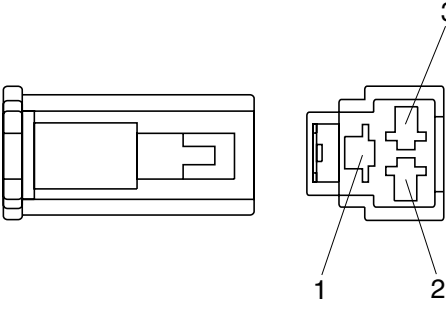
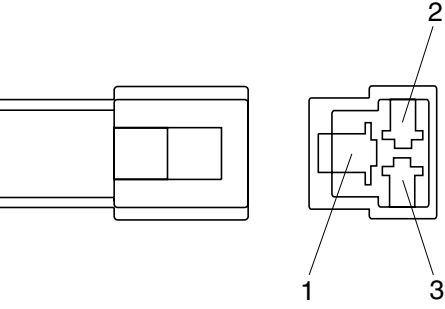
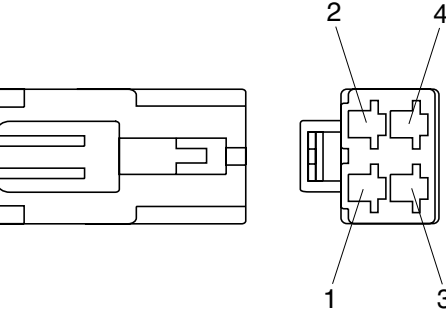
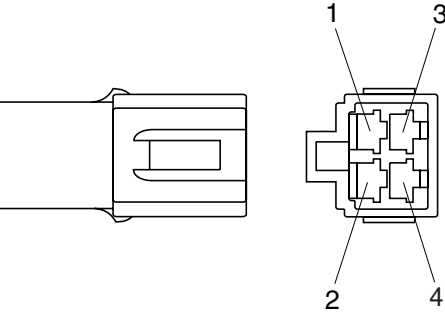
No. of pin	Receptacle connector (female)	Plug connector (male)
2	 <p style="text-align: center;">S816-002001</p>	 <p style="text-align: center;">S816-102001</p>
3	 <p style="text-align: center;">S816-003001</p>	 <p style="text-align: center;">S816-103001</p>
4	 <p style="text-align: center;">S816-004001</p>	 <p style="text-align: center;">S816-104001</p>
8	 <p style="text-align: center;">S816-008001</p>	 <p style="text-align: center;">S816-108001</p>

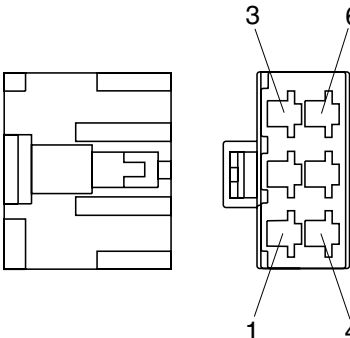
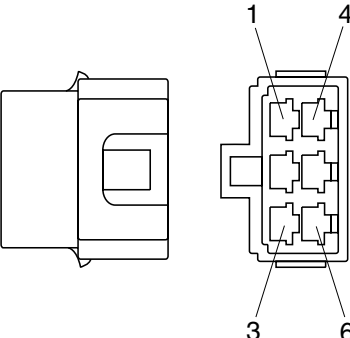
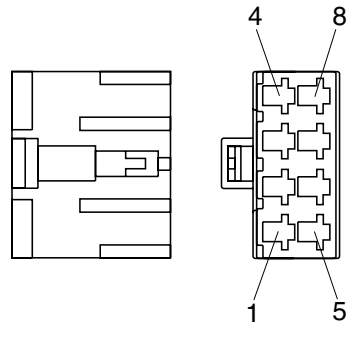
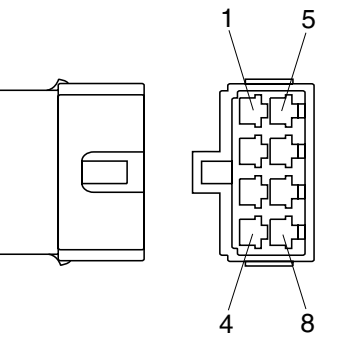
4) SWP TYPE CONNECTOR

No. of pin	Receptacle connector (Female)	Plug connector (male)
1	 <p data-bbox="691 680 839 707">S814-001000</p>	 <p data-bbox="1246 680 1394 707">S814-101000</p>
2	 <p data-bbox="691 1084 839 1111">S814-002000</p>	 <p data-bbox="1246 1084 1394 1111">S814-102000</p>
3	 <p data-bbox="691 1494 839 1520">S814-003000</p>	 <p data-bbox="1246 1494 1394 1520">S814-103000</p>
4	 <p data-bbox="691 1904 839 1930">S814-004000</p>	 <p data-bbox="1246 1904 1394 1930">S814-104000</p>

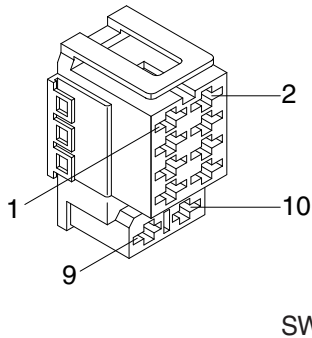
No. of pin	Receptacle connector (female)	Plug connector (male)
6	 <p data-bbox="694 627 837 660">S814-006000</p>	 <p data-bbox="1268 627 1412 660">S814-106000</p>
8	 <p data-bbox="694 1037 837 1070">S814-008000</p>	 <p data-bbox="1268 1037 1412 1070">S814-108000</p>
12	 <p data-bbox="694 1447 837 1480">S814-012000</p>	 <p data-bbox="1268 1447 1412 1480">S814-112000</p>
14	 <p data-bbox="694 1856 837 1890">S814-014000</p>	 <p data-bbox="1268 1856 1412 1890">S814-114000</p>

5) CN TYPE CONNECTOR

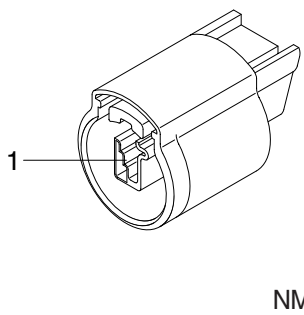
No. of pin	Receptacle connector (female)	Plug connector (male)
1	 <p data-bbox="691 674 839 703">S810-001202</p>	 <p data-bbox="1265 674 1414 703">S810-101202</p>
2	 <p data-bbox="691 1081 839 1111">S810-002202</p>	 <p data-bbox="1265 1081 1414 1111">S810-102202</p>
3	 <p data-bbox="691 1491 839 1520">S810-003202</p>	 <p data-bbox="1265 1491 1414 1520">S810-103202</p>
4	 <p data-bbox="691 1895 839 1924">S810-004202</p>	 <p data-bbox="1265 1895 1414 1924">S810-104202</p>

No. of pin	Receptacle connector (female)	Plug connector (male)
6	 <p data-bbox="694 627 837 660">S810-006202</p>	 <p data-bbox="1252 627 1396 660">S810-106202</p>
8	 <p data-bbox="694 1041 837 1075">S810-008202</p>	 <p data-bbox="1252 1041 1396 1075">S810-108202</p>

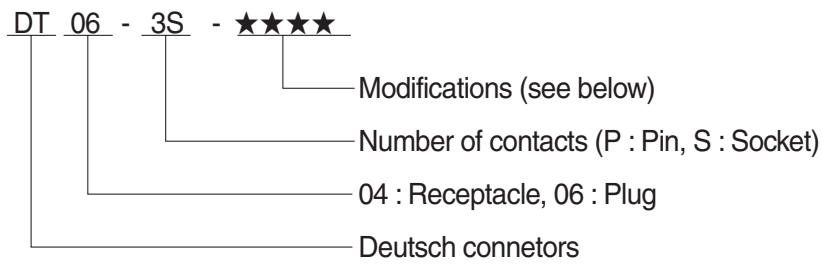
6) ITT SWF CONNECTOR

No. of pin	Receptacle connector (female)	Plug connector (male)
10	 <p style="text-align: right;">SWF593757</p>	

7) MWP NMWP CONNECTOR

No. of pin	Receptacle connector (female)	Plug connector (male)
1	 <p style="text-align: right;">NMWP01F-B</p>	

8) DEUTSCH DT CONNECTORS



※ Modification

E003 : Standard end cap - gray

E004 : Color of connector to be black

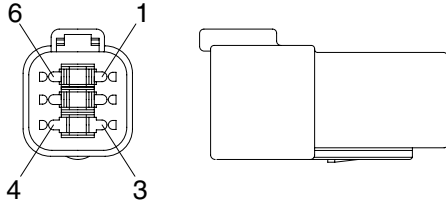
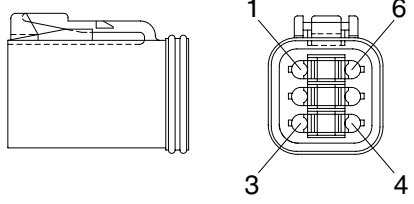
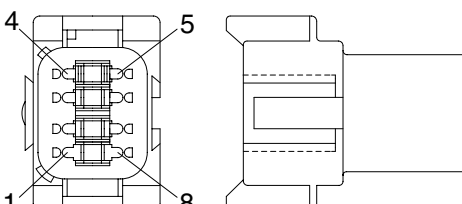
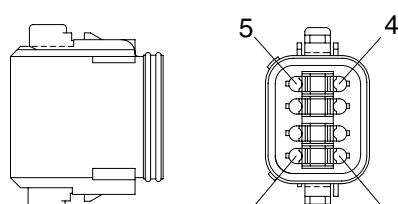
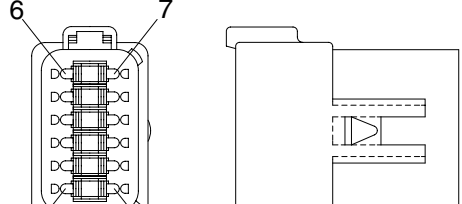
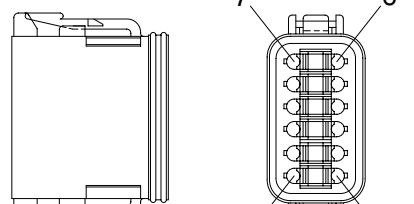
E005 : Combination - E004 & E003

EP04 : End cap

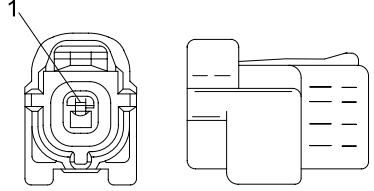
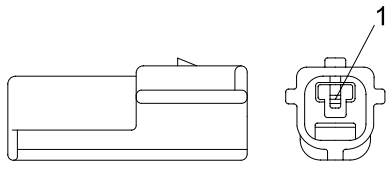
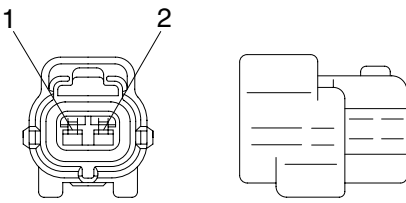
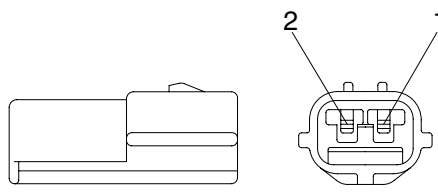
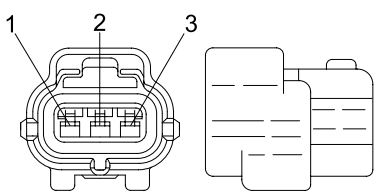
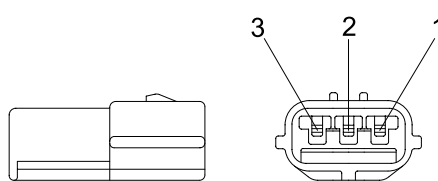
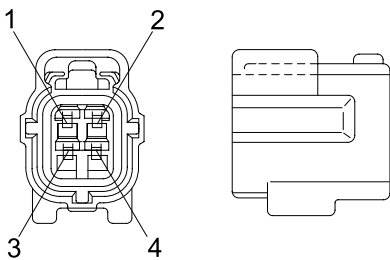
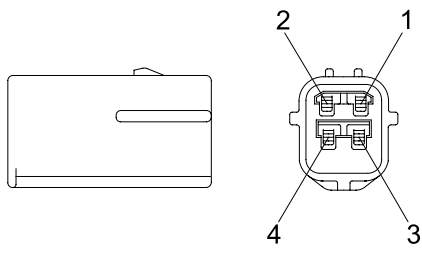
EP06 : Combination P012 & EP04

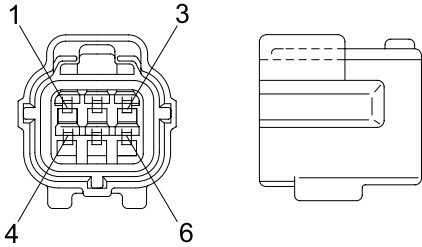
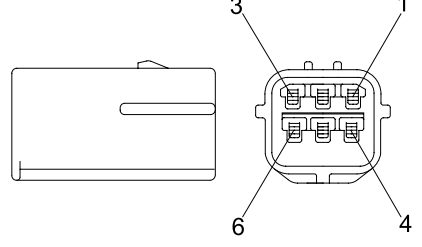
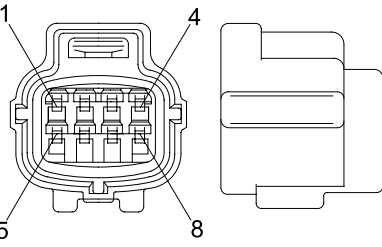
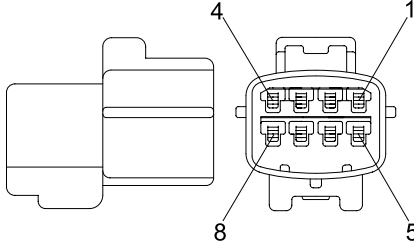
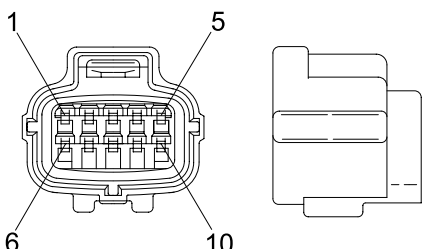
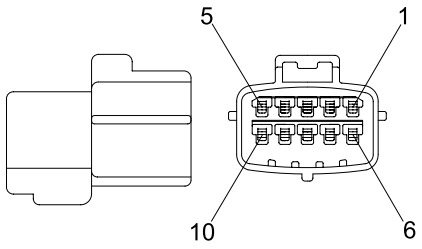
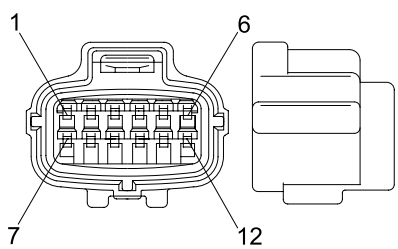
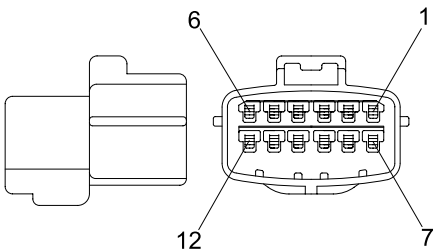
P012 : Front seal enhancement - connectors color to black for 2, 3, 4 & 6pin

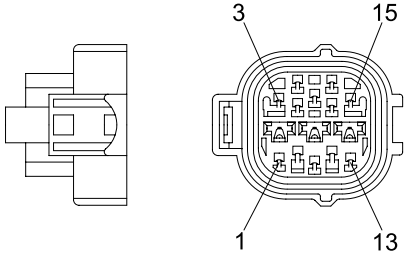
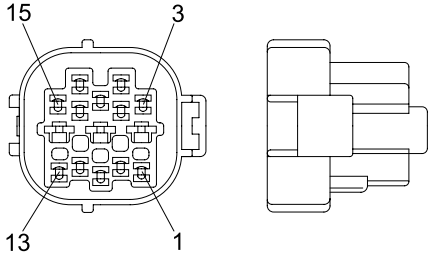
No. of pin	Receptacle connector (female)	Plug connector (male)
2	<p>DT06-2S</p>	<p>DT04-2P</p>
3	<p>DT06-3S</p>	<p>DT04-3P</p>
4	<p>DT06-4S</p>	<p>DT04-4P</p>

No. of pin	Receptacle connector (female)	Plug connector (male)
6	 <p style="text-align: right;">DT06-6S</p>	 <p style="text-align: right;">DT04-6P</p>
8	 <p style="text-align: right;">DT06-8S</p>	 <p style="text-align: right;">DT04-8P</p>
12	 <p style="text-align: right;">DT06-12S</p>	 <p style="text-align: right;">DT04-12P</p>

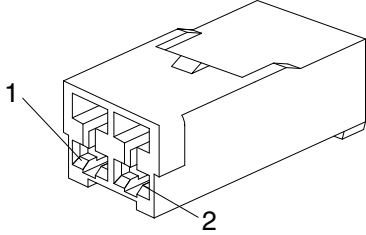
9) ECONOSEAL J TYPE CONNECTORS

No. of pin	Receptacle connector (female)	Plug connector (male)
1	 <p style="text-align: right;">S816-001002</p>	 <p style="text-align: left;">S816-101002</p>
2	 <p style="text-align: right;">S816-002002</p>	 <p style="text-align: left;">S816-102002</p>
3	 <p style="text-align: right;">S816-003002</p>	 <p style="text-align: left;">S816-103002</p>
4	 <p style="text-align: right;">S816-004002</p>	 <p style="text-align: left;">S816-104002</p>

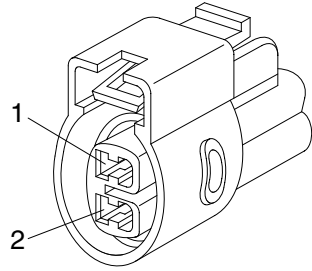
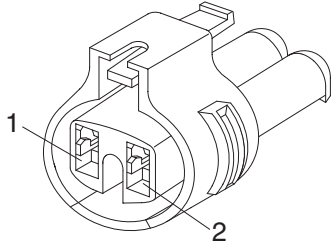
No. of pin	Receptacle connector (female)	Plug connector (male)
6	 <p data-bbox="694 627 837 660">S816-006002</p>	 <p data-bbox="1244 627 1388 660">S816-106002</p>
8	 <p data-bbox="694 1030 837 1064">S816-008002</p>	 <p data-bbox="1244 1030 1388 1064">S816-108002</p>
10	 <p data-bbox="694 1433 837 1467">S816-010002</p>	 <p data-bbox="1244 1433 1388 1467">S816-110002</p>
12	 <p data-bbox="694 1836 837 1870">S816-012002</p>	 <p data-bbox="1244 1836 1388 1870">S816-112002</p>

No. of pin	Receptacle connector (female)	Plug connector (male)
15	 <p data-bbox="730 636 836 663">368301-1</p>	 <p data-bbox="1283 636 1388 663">2-85262-1</p>

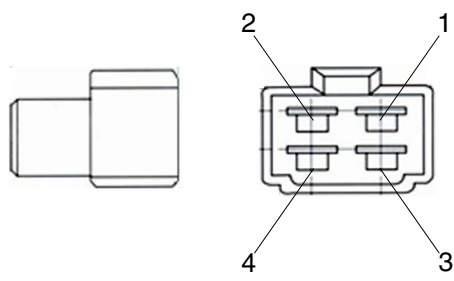
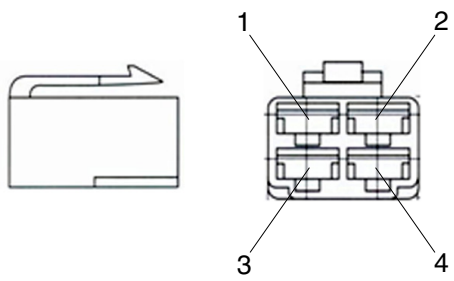
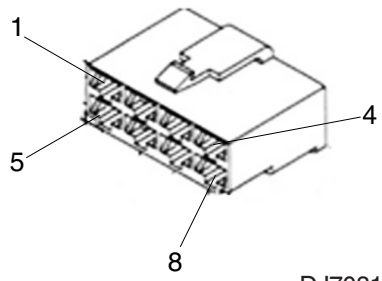
10) KET 090 CONNECTOR

No. of pin	Receptacle connector (female)	Plug connector (male)
2	 <p data-bbox="715 1236 836 1263">MG610070</p>	

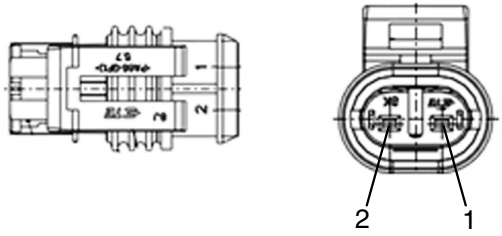
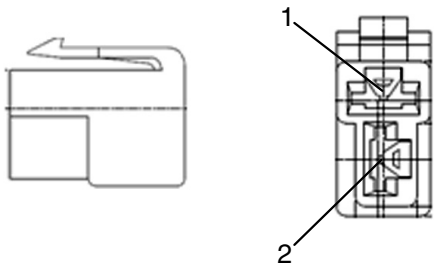
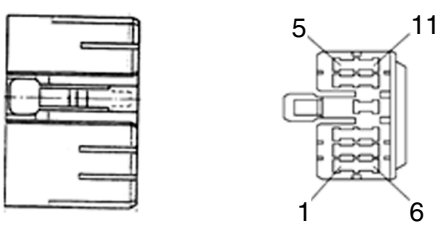
11) KET 090 WP CONNECTORS

No. of pin	Receptacle connector (female)	Plug connector (male)
2	 <p style="text-align: right;">MG640605</p>	
2	 <p style="text-align: right;">MG640795</p>	

12) CHINA CONNECTORS

No. of pin	Receptacle connector (female)	Plug connector (male)
4	 <p style="text-align: right;">DJ7041-6.3-11</p>	 <p style="text-align: right;">DJ7041-6.3-21</p>
8		 <p style="text-align: right;">DJ7081-6.3-21</p>

13) TYCO CONNECTOR

No. of pin	Receptacle connector (female)	Plug connector (male)
2		 <p style="text-align: right;">282080-1</p>
2		 <p style="text-align: right;">174198-1</p>
11		 <p style="text-align: right;">172497-1</p>