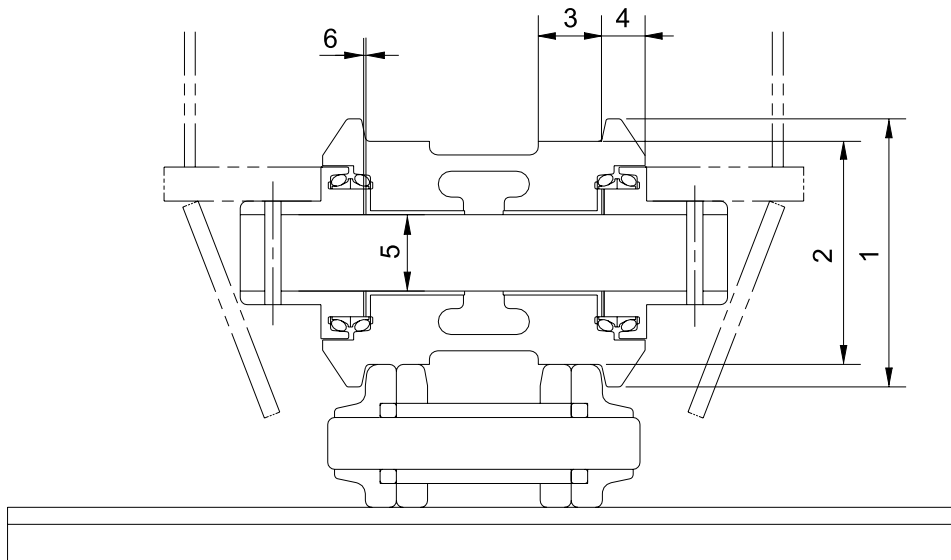


GROUP 3 TRACK AND WORK EQUIPMENT

1. TRACK

1) TRACK ROLLER

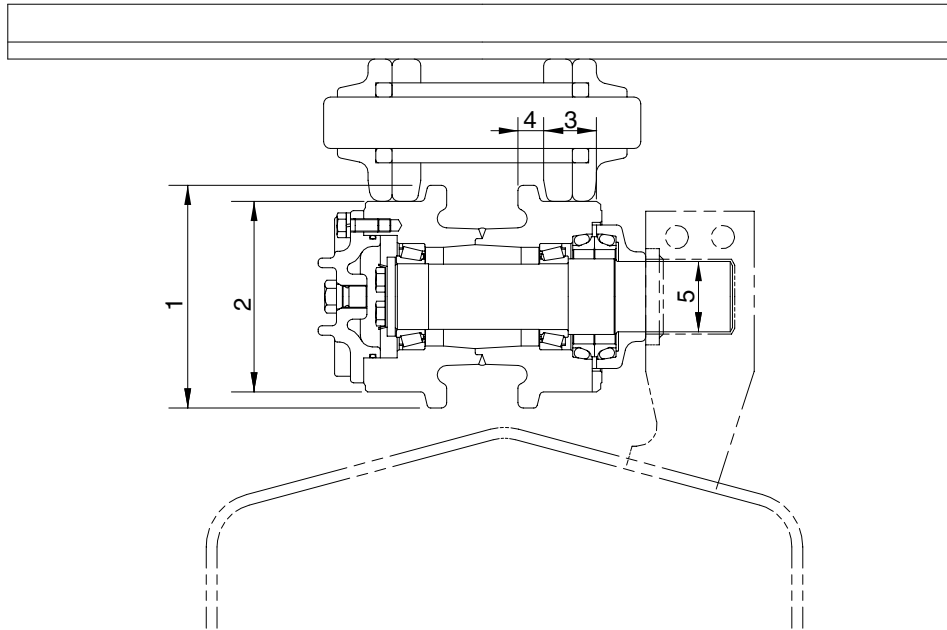


32077MS01

Unit : mm

No.	Check item	Criteria				Remedy
		Standard size		Repair limit		
1	Outside diameter of flange	ø 320		-		Rebuild or replace
2	Outside diameter of tread	ø 270		ø 258		
3	Width of tread	73.5		79.5		
4	Width of flange	36.5		-		
5	Clearance between shaft and bushing	Standard size & tolerance		Standard clearance	Clearance limit	Replace bushing
		Shaft	Bushing			
		ø 115 -0.25 -0.35	ø 115 +0.15 +0.03	0.28 to 0.5	2.0	
6	Side clearance of roller (Both side)	Standard clearance		Clearance limit		Replace
		0.34~1.678		2.5		

2) CARRIER ROLLER

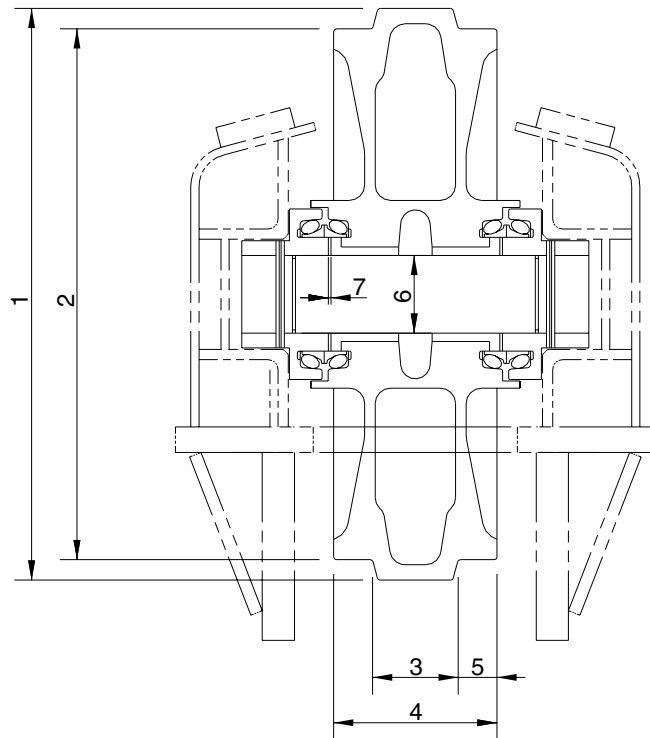


4507AMS04

Unit : mm

No.	Check item	Criteria				Remedy
		Standard size		Repair limit		
1	Outside diameter of flange	ø 250		-		Rebuild or replace
2	Outside diameter of tread	ø 218		ø 208		
3	Width of tread	71		76		
4	Width of flange	23		-		
5	Clearance between shaft and support	ø 96 0.036 -0.09	ø 96 +0.3 +0.1	0.136~0.39	1.2	Replace

3) IDLER

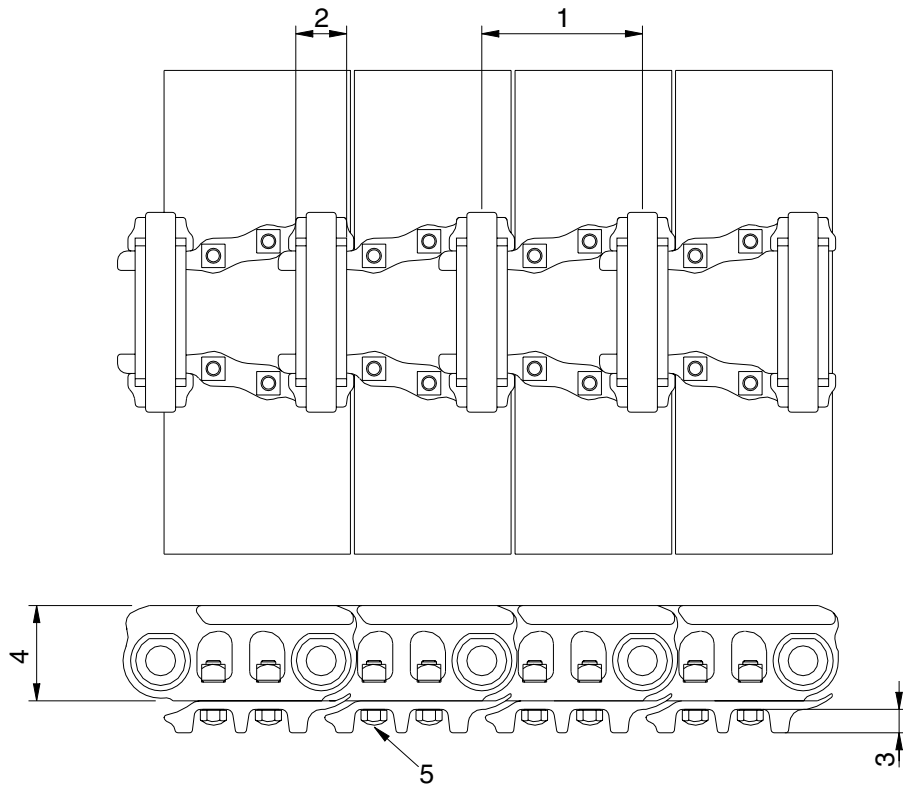


8007A7MS05

Unit : mm

No.	Check item	Criteria		Remedy	
		Standard size	Repair limit		
1	Outside diameter of protrusion	ø 875	-	Rebuild or replace	
2	Outside diameter of tread	ø 830	ø 816		
3	Width of protrusion	127	-		
4	Total width	266	-		
5	Width of tread	69.5	76.5		
6	Clearance between shaft and bushing	Standard size & tolerance		Standard clearance	Clearance limit
		Shaft	bushing		
		ø 120 $\begin{matrix} 0 \\ -0.03 \end{matrix}$	ø 120 $\begin{matrix} +0.4 \\ +0.35 \end{matrix}$		
7	Side clearance of idler (Both side)	Standard clearance		Clearance limit	
		0.4 to 1.4		2.0	

4) TRACK

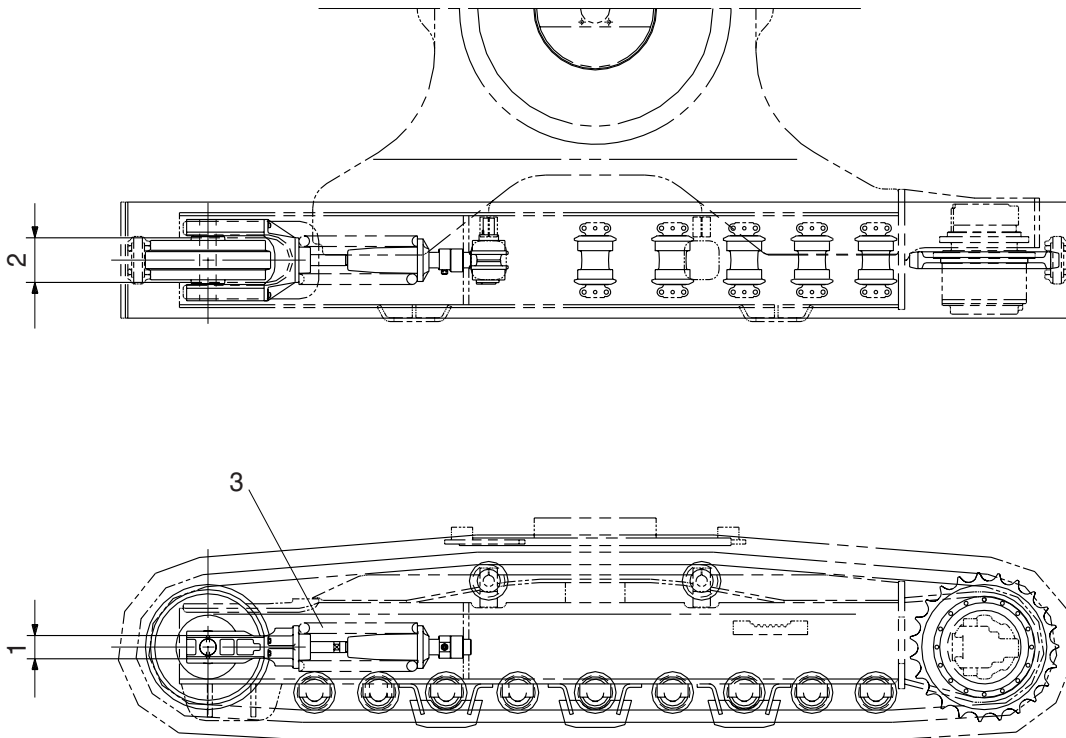


32077MS04

Unit : mm

No.	Check item	Criteria		Remedy
		Standard size	Repair limit	
1	Link pitch	260.35	265.75	Turn or replace
		ø 85.725	ø 73.725	
2	Outside diameter of bushing	ø 85.725	ø 73.725	Rebuild or replace
3	Height of grouser	52	28	
4	Height of link	155.5	141.5	
5	Tightening torque	Initial tightening torque : 180.3~212.2kgf · m		Retighten

5) TRACK FRAME AND RECOIL SPRING

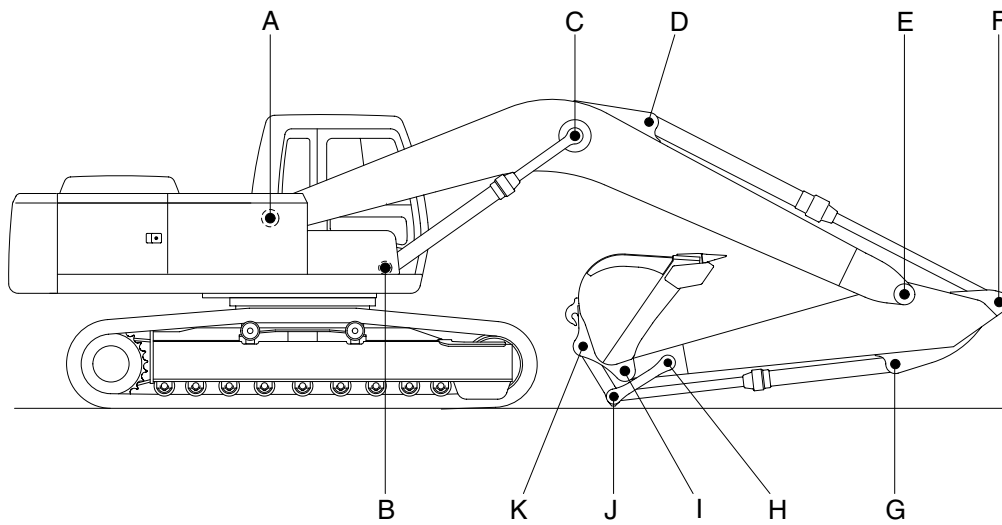


21073MS05

Unit : mm

No.	Check item	Criteria				Remedy	
			Standard size	Tolerance	Repair limit		
1	Vertical width of idler guide	Track frame	193	+2 0	197	Rebuild or replace	
		Idler support	190	0 -1.5	186		
2	Horizontal width of idler guide	Track frame	342	+2 0	346		
		Idler support	340	-	337		
3	Recoil spring	Standard size		Repair limit		Replace	
		Free length	Installation length	Installation load	Free length		Installation load
		∅ 310 × 1553	1290	49,986kg	-		39,990kg

2. WORK EQUIPMENT



21077MS20

Unit : mm

Mark	Measuring point (Pin and Bushing)	Normal value	Pin		Bushing		Remedy & Remark
			Recomm. service limit	Limit of use	Recomm. service limit	Limit of use	
A	Boom Rear	145	144	143.5	145.5	146	Replace
B	Boom Cylinder Head	130	129	128.5	130.5	131	
C	Boom Cylinder Rod	130	129	128.5	130.5	131	
D	Arm Cylinder Head	140	139	138.5	140.5	141	
E	Boom Front	145	144	143.5	145.5	146	
F	Arm Cylinder Rod	140	139	138.5	140.5	141	
G	Bucket Cylinder Head	120	119	118.5	120.5	121	
H	Arm Link	120	119	118.5	120.5	121	
I	Bucket and Arm Link	130	129	128.5	130.5	131	
J	Bucket Cylinder Rod	120	119	118.5	120.5	121	
K	Bucket Link	130	129	128.5	130.5	131	