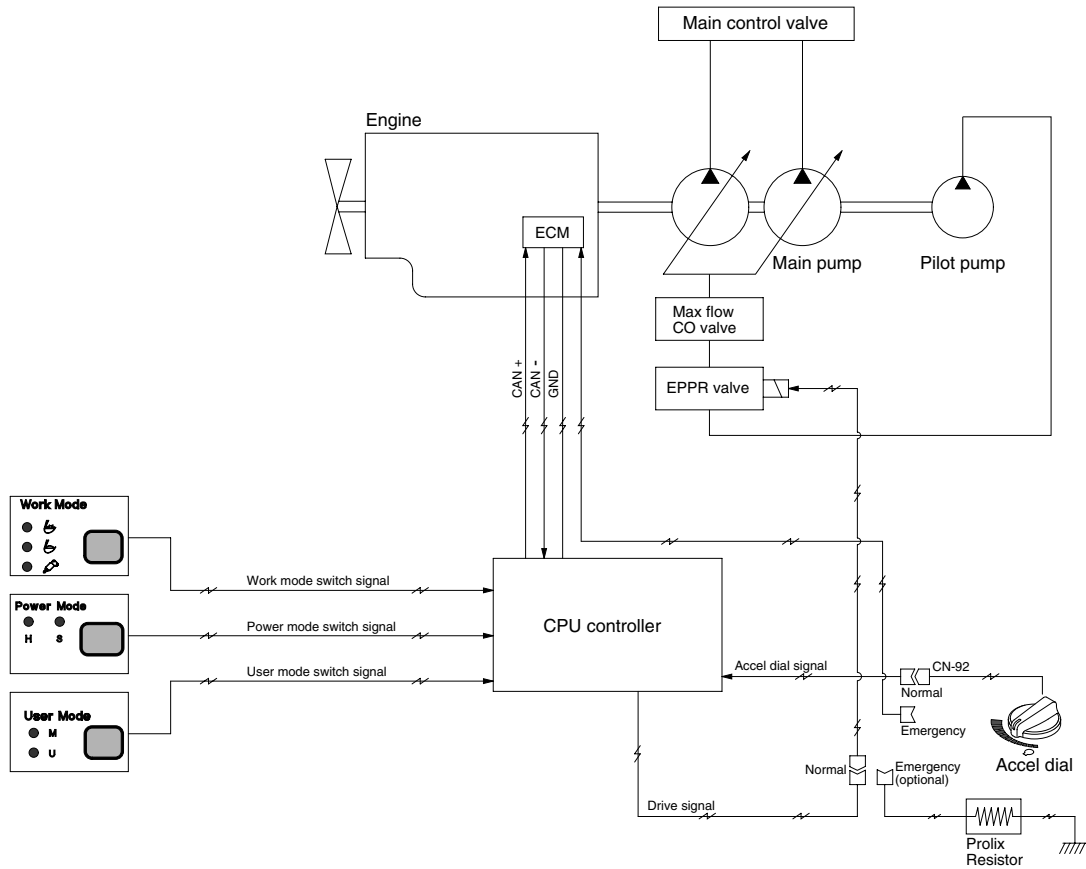


GROUP 2 MODE SELECTION SYSTEM

1. POWER MODE SELECTION SYSTEM



50075MS02

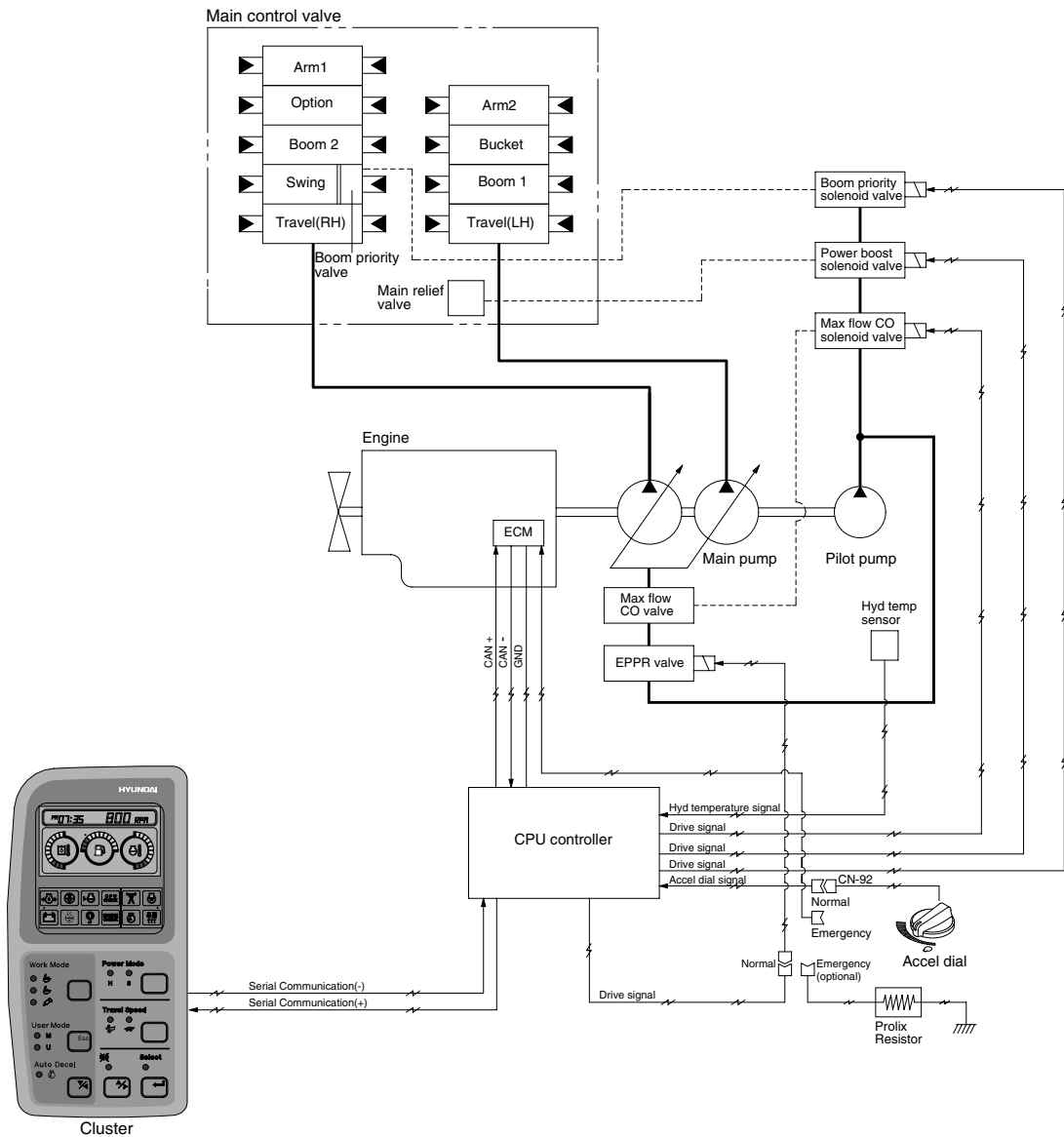
Mode selection system(Micro computer based electro-hydraulic pump and engine mutual control system) optimizes the engine and pump performance.

The combination of 2 power modes(H, S) and accel dial position(10 set) makes it possible to use the engine and pump power more effectively corresponding to the work conditions from a heavy and great power requesting work to a light and precise work.

Mode	Application	Power set (%)	Engine rpm		Power shift by EPPR valve			
			Unload	Load	Ver 5.X(STD)		Ver 6.X(STD)	
					Current (mA)	Pressure (kgf/cm ²)	Current (mA)	Pressure (kgf/cm ²)
M	Maximum power	95	1800 ± 50	1750	230 ± 30	4	150 ± 30	0
H	High power	85	1800 ± 50	1750	330 ± 30	10	230 ± 30	4
S	Standard power	70	1700 ± 50	1650	330 ± 30	10	330 ± 30	10
AUTO DECEL	Engine deceleration	-	1150 ± 100	-	700 ± 30	35	700 ± 30	35
One touch decel	Engine quick deceleration	-	800 ± 100	-	700 ± 30	35	700 ± 30	35
KEY START	Key switch start position	-	800 ± 100	-	700 ± 30	35	700 ± 30	35

2. WORK MODE SELECTION SYSTEM

3 work modes can be selected for the optional work speed of the machine operation.



8007A5MS02

1) HEAVY DUTY WORK MODE

The boom priority solenoid is activated to make the boom operation speed faster.

2) GENERAL WORK MODE

When key switch is turned ON, this mode is selected and swing operation speed is faster than heavy duty work mode.

3) BREAKER OPERATION MODE

It sets the pump flow to the optimal operation of breaker by activating the max flow cut-off solenoid.

Work mode	Boom priority solenoid	Max flow cut-off solenoid
Heavy duty	ON	OFF
General	OFF	OFF
Breaker	OFF	ON

3. USER MODE SELECTION SYSTEM

An operator can change the engine and pump power and memorize it for his preference.

Mode	Operation
U	High idle rpm, auto decel rpm EPPR pressure can be modulated and memorized separately

HOW TO MODULATE THE MEMORY SET

- 1) Each memory mode has a initial set which are mid-range of max engine speed, auto decel rpm, and EPPR valve input current.
- 2) High idle rpm, auto decel rpm, EPPR pressure can be modulated and memorized separately in the U-mode.

※ Refer to the page 5-35 for set of user mode.

· LCD segment vs parameter setting

Segment (I)	ACCEL (rpm)	DECEL (rpm)	EPPR (mA)
1	1400	Low idle(800)	150
2	1450	850	200
3	1500	900	250
4	1550	950	300
5	1600	1000	350
6	1650	1050	400
7	1700	1100	450
8	1750	Decel rpm(1150)	500
9	1800	1200	550
10	1850	1250	600

