

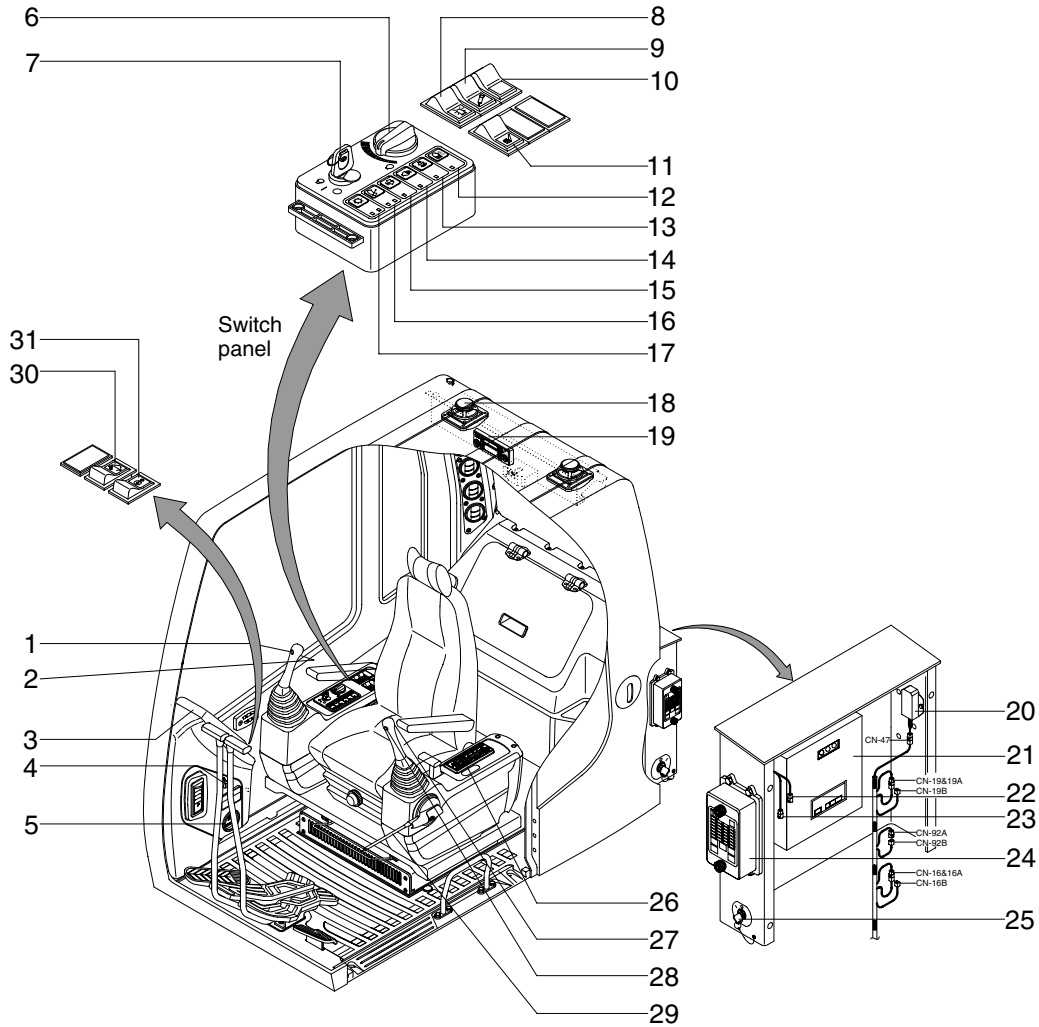
SECTION 4 ELECTRICAL SYSTEM

| | |
|--|------|
| Group 1 Component Location | 4-1 |
| Group 2 Electrical Circuit | 4-3 |
| Group 3 Electrical Component Specification | 4-21 |
| Group 4 Connectors | 4-29 |

SECTION 4 ELECTRICAL SYSTEM

GROUP 1 COMPONENT LOCATION

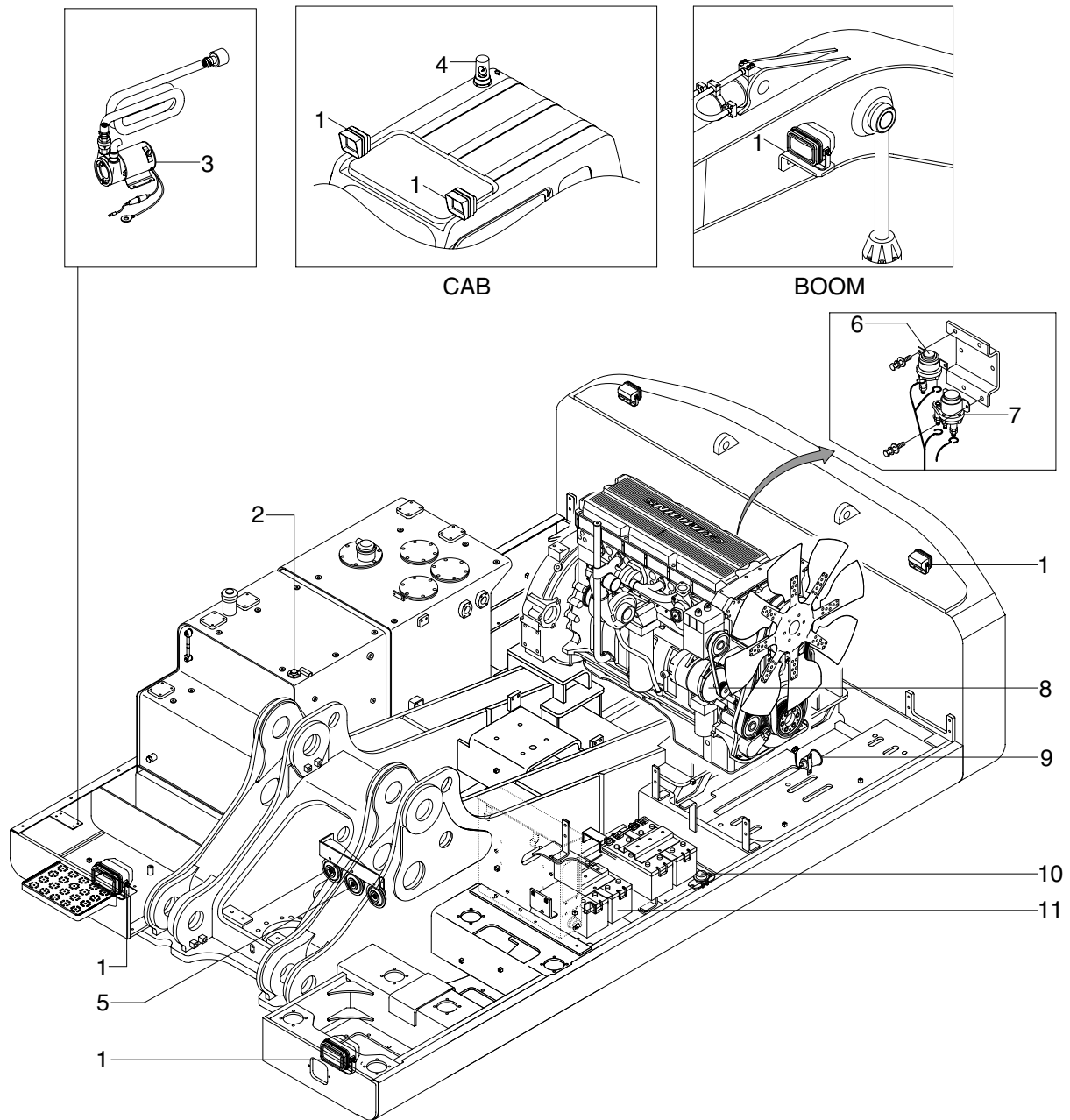
1. LOCATION 1



8007A4EL01A

- | | | | | | |
|----|-----------------------------------|----|--------------------------|----|------------------------------|
| 1 | Horn switch | 11 | Heated seat switch | 21 | MCU controller |
| 2 | Breaker switch | 12 | Cab light switch | 22 | RS232 serial connector |
| 3 | Cluster | 13 | Travel alarm stop switch | 23 | J1939 serial connector |
| 4 | Cigar lighter | 14 | Preheat switch | 24 | Fuse box |
| 5 | Service meter | 15 | Washer switch | 25 | Master switch |
| 6 | Accel dial | 16 | Wiper switch | 26 | Aircon & heater switch panel |
| 7 | Starting switch | 17 | Main light switch | 27 | One touch decel switch |
| 8 | Beacon switch | 18 | Speaker | 28 | Power max switch |
| 9 | Breaker selection switch | 19 | Cassette & radio | 29 | Safety lever |
| 10 | Central grease lubrication switch | 20 | Prolinx resistor | 30 | Overload switch |
| | | | | 31 | Quick clamp switch |

2. LOCATION 2



8007A4EL02

- | | | | | | |
|---|------------------|---|--------------|----|---------------------|
| 1 | Lamp | 5 | Horn | 9 | Travel alarm buzzer |
| 2 | Fuel sender | 6 | Start relay | 10 | Battery relay |
| 3 | Fuel filler pump | 7 | Heater relay | 11 | Battery |
| 4 | Beacon lamp | 8 | Alternator | | |