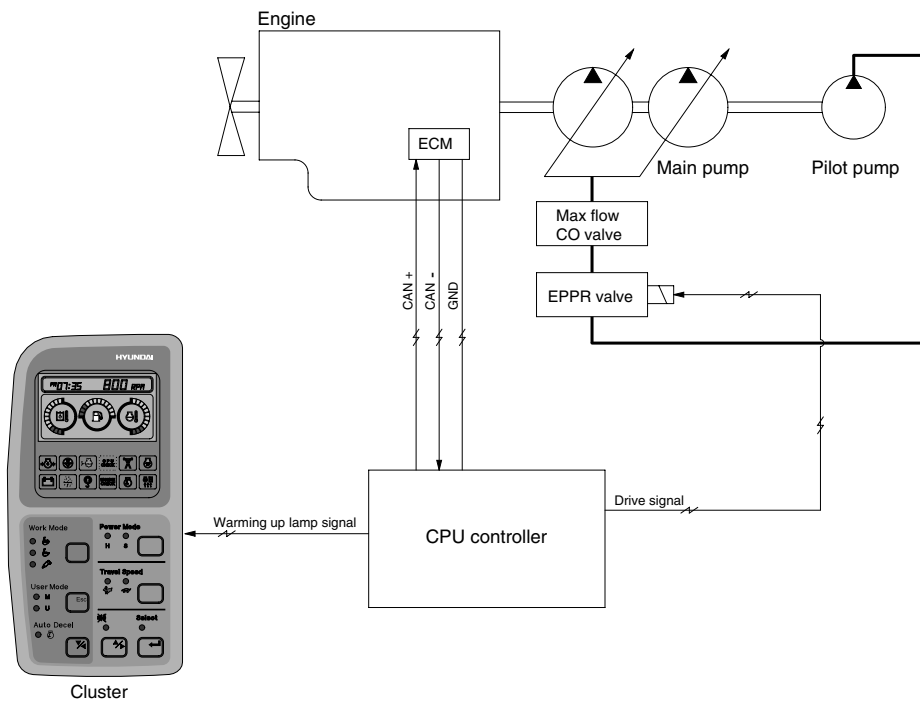


## GROUP 6 AUTOMATIC WARMING UP FUNCTION



2507A5MS06

1. CPU controller receives engine coolant temperature from the ECM, and if the coolant temperature is less than 30°C, it increases the engine speed from key start rpm to 1150rpm. At this time the mode does not change.
2. In case of the coolant temperature increases up to 30°C, the engine speed is decreased to key start speed. And if an operator changes mode set during the warming up function, the CPU controller cancels the automatic warming up function.

### 3. LOGIC TABLE

Description	Condition	Function
Actuated	- Coolant temperature : Less than 30° C (After engine run) - Accel dial position is under <b>3</b>	- Mode : Default( <b>S</b> mode) - Warming up time : 10 minutes(Max) - Warming up lamp : ON
Canceled	- Coolant temperature : Above 30°C - Warming up time : Above 10 minutes - Changed mode set by operator - Increase engine speed by rotating accel dial clockwise ※ If any of the above conditions is applicable, the automatic warming up function is canceled	- Default mode - Default mode - Changed mode
Warming up lamp	- Coolant temperature : Above 30°C	- Warming up lamp : OFF