

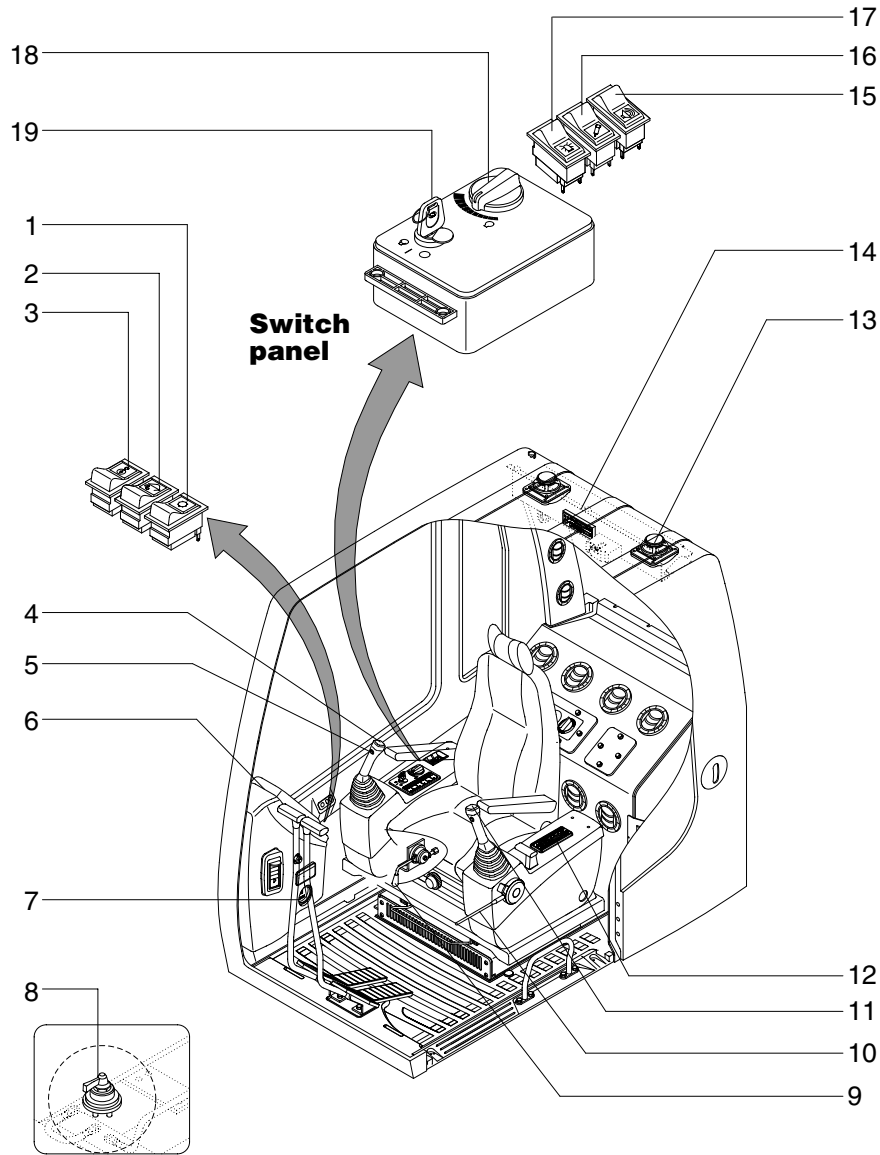
SECTION 4 ELECTRICAL SYSTEM

Group 1 Component Location	4-1
Group 2 Electrical Circuit	4-3
Group 3 Electrical Component Specification	4-23
Group 4 Connectors	4-31

SECTION 4 ELECTRICAL SYSTEM

GROUP 1 COMPONENT LOCATION

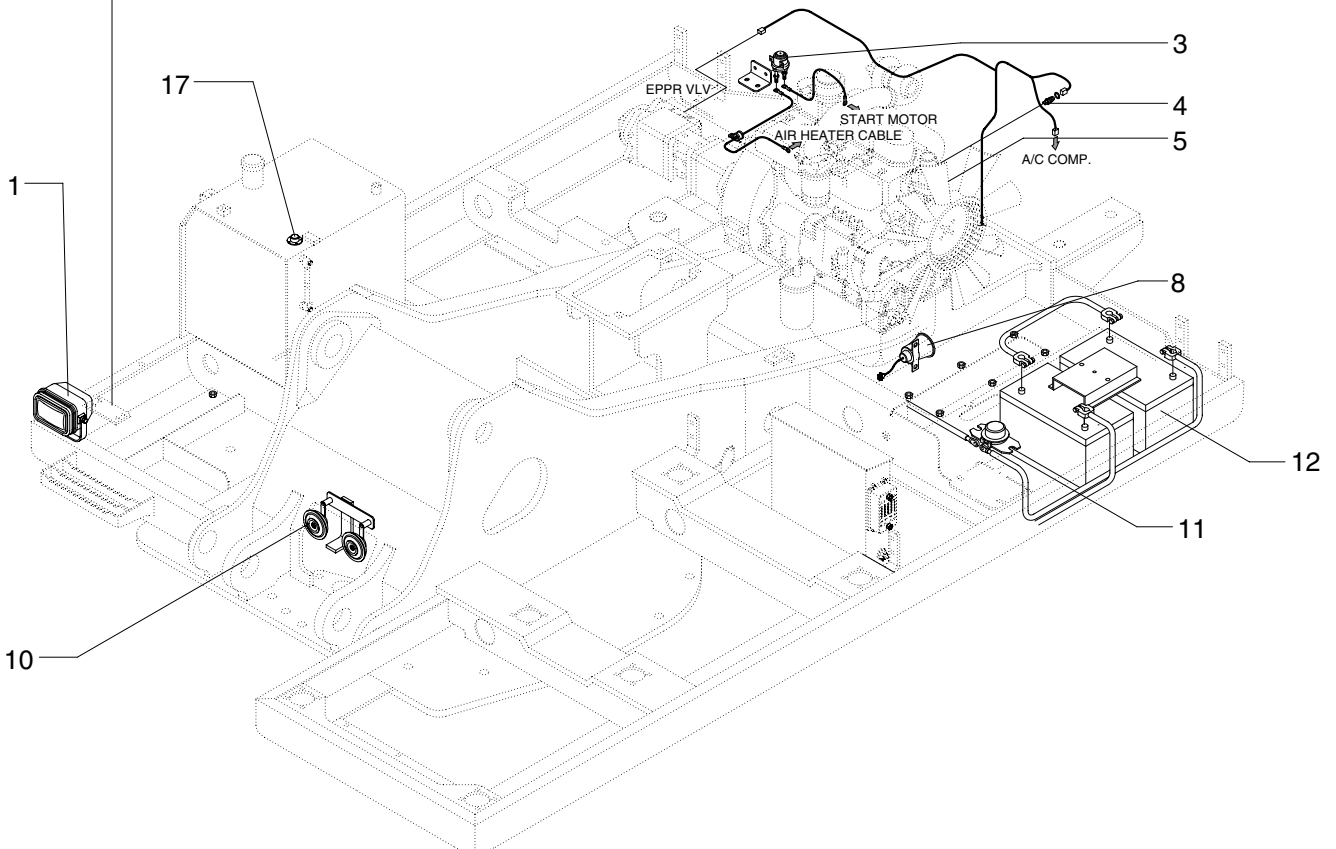
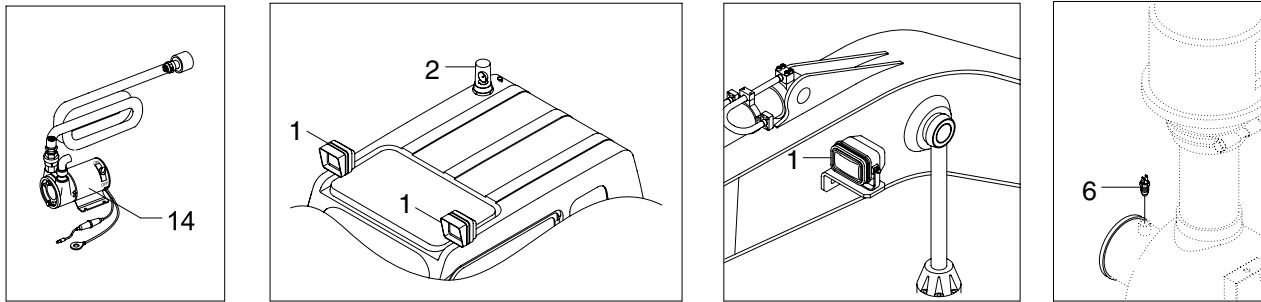
1. LOCATION 1



RD8074EL01

- | | | |
|----------------------------|---------------------------------------|-----------------------------|
| 1 Main light switch | 8 Master switch | 14 Cassette radio |
| 2 Quick coupling switch | 9 Emergency engine acceleration lever | 15 Travel alarm stop switch |
| 3 Overload switch | | 16 Breaker selection switch |
| 4 Horn switch | 10 Safety lever | 17 Beacon switch |
| 5 Breaker operation switch | 11 One touch decel switch | 18 Accel dial |
| 6 Cluster | 12 Air-con switch | 19 Start switch |
| 7 Hour meter | 13 Speaker | |

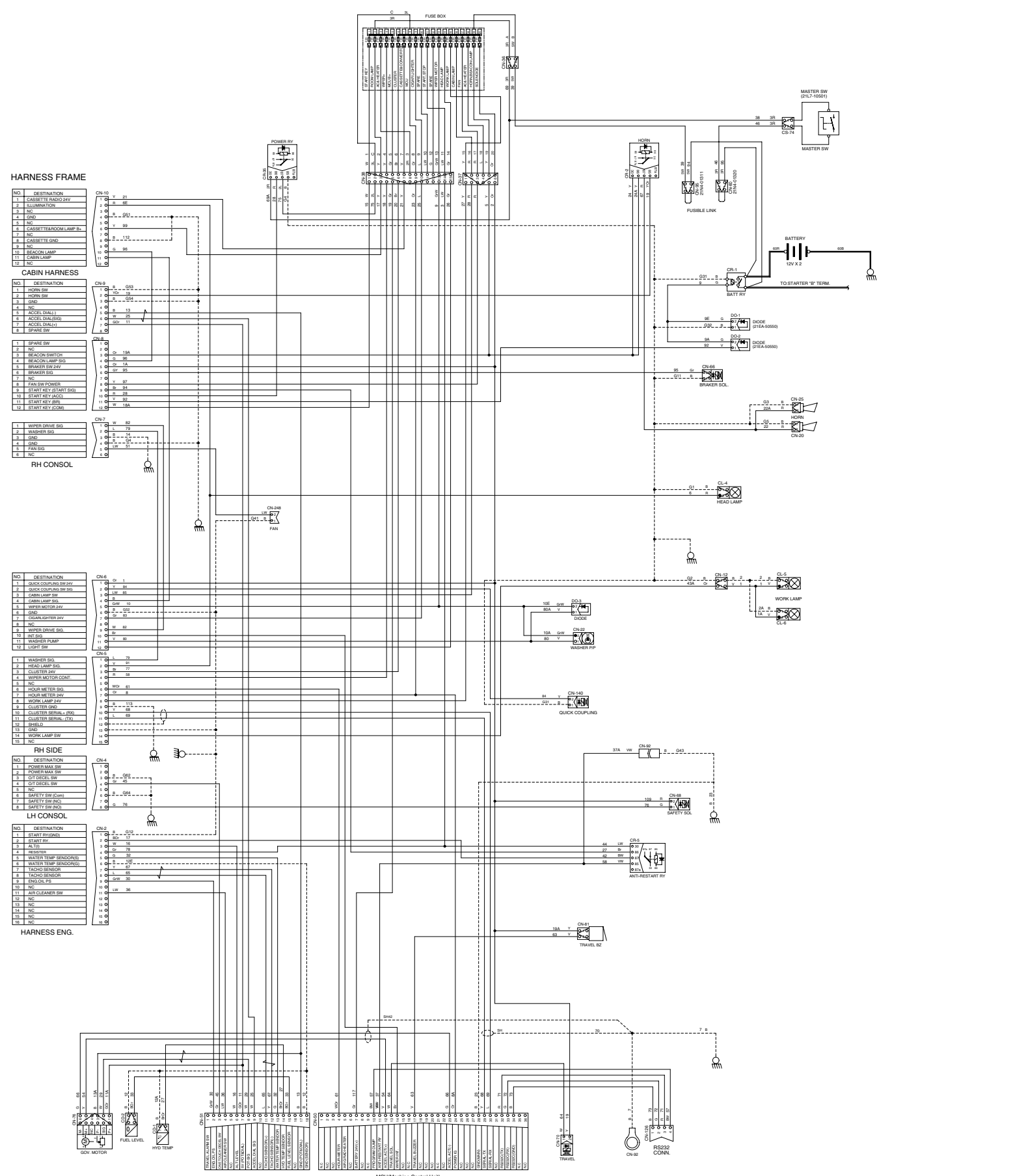
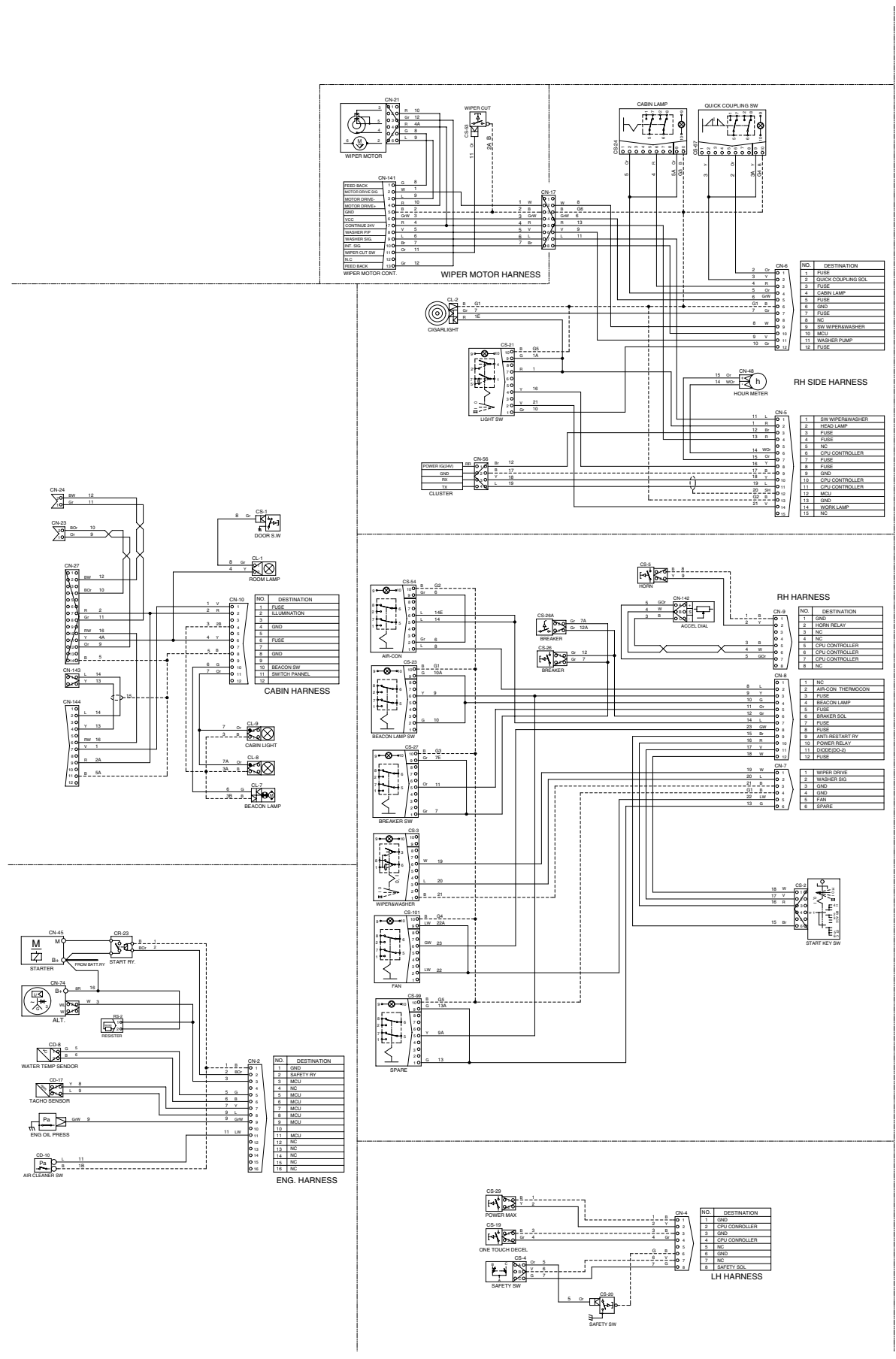
2. LOCATION 2



RD8074EL02

- | | | | | | |
|---|--------------------|----|---------------------|----|------------------|
| 1 | Lamp | 7 | Alternator | 13 | Master switch |
| 2 | Beacon lamp | 8 | Travel alarm buzzer | 14 | Fuel filler pump |
| 3 | Heater relay | 9 | Washer pump | 15 | Relays |
| 4 | Start relay | 10 | Horn | 16 | CPU controller |
| 5 | Temp sender | 11 | Battery relay | 17 | Fuel sender |
| 6 | Air cleaner switch | 12 | Battery | | |

GROUP 2 ELECTRICAL CIRCUIT

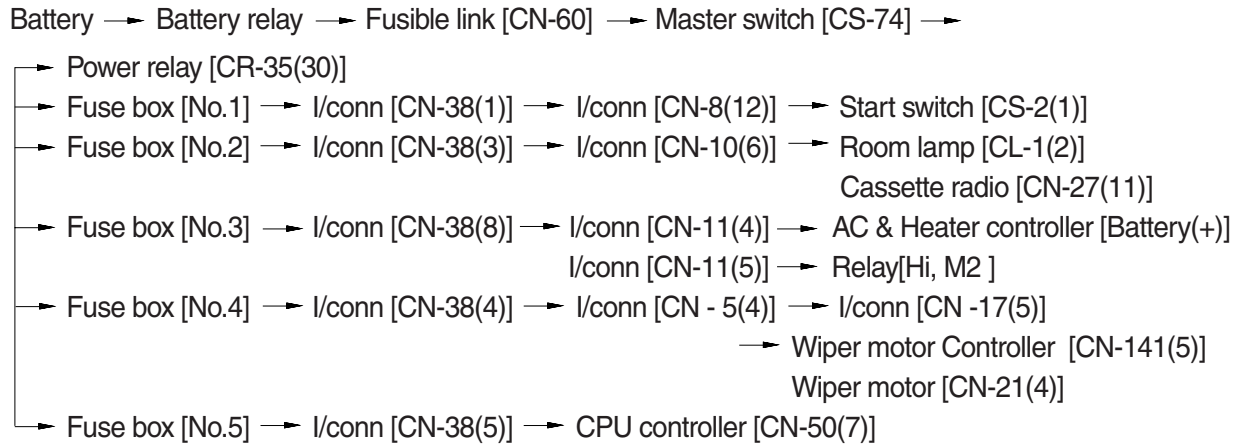


1. POWER CIRCUIT

The negative terminal of battery is grounded to the machine chassis.

When the start switch is in the OFF position, the current flows from the positive battery terminal as shown below.

1) OPERATING FLOW



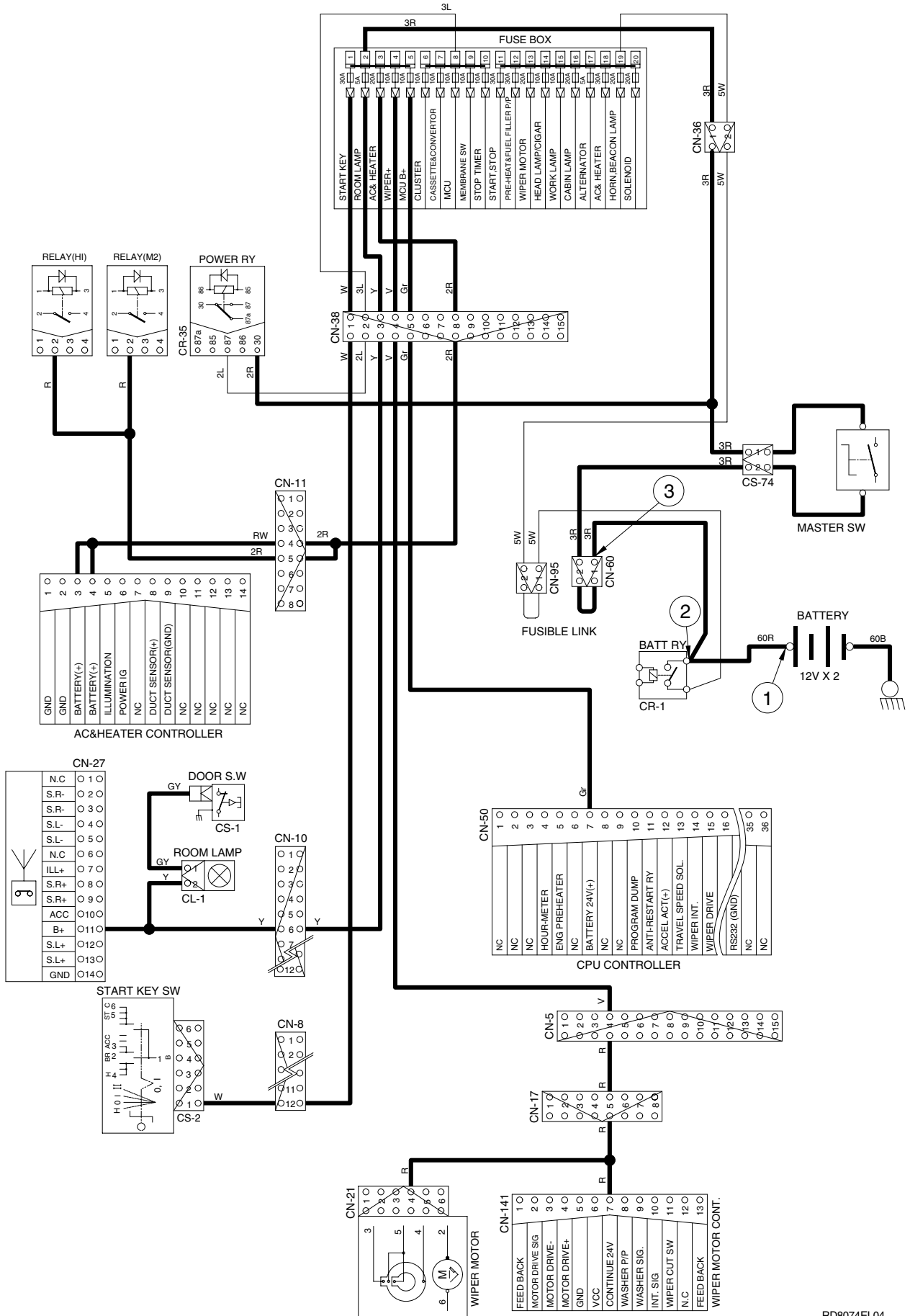
※ I/conn : Intermediate connector

2) CHECK POINT

Engine	Start switch	Check point	Voltage
OFF	OFF	① - GND (Battery 2 EA) ② - GND (Battery 2 EA) ③ - GND (Fusible link)	20~25V 20~25V 20~25V

※ GND : Ground

POWER CIRCUIT



RD8074EL04

2. STARTING CIRCUIT

1) OPERATING FLOW

Battery(+) terminal → Battery relay[CR-1] → Fusible link[CN-60] → Master switch [CS-74]
 → Fuse box No.1 → I/conn [CN-38(1)] → I/conn [CN-8(12)] → Start key [CS-2(1)]

※ Start switch : ON

→ Start switch ON [CS-2(2)] → I/conn [CN-8(11)] → Diode[DO-2] →
 Battery relay [CR-1]:Battery relay operating(All power is supplied with the electric component)
 → Start switch ON [CS-2(3)] → I/conn [CN-8(10)] → Power relay [CR-35(86)→(87)] →
 Fuse box No.8

※ Start switch : START

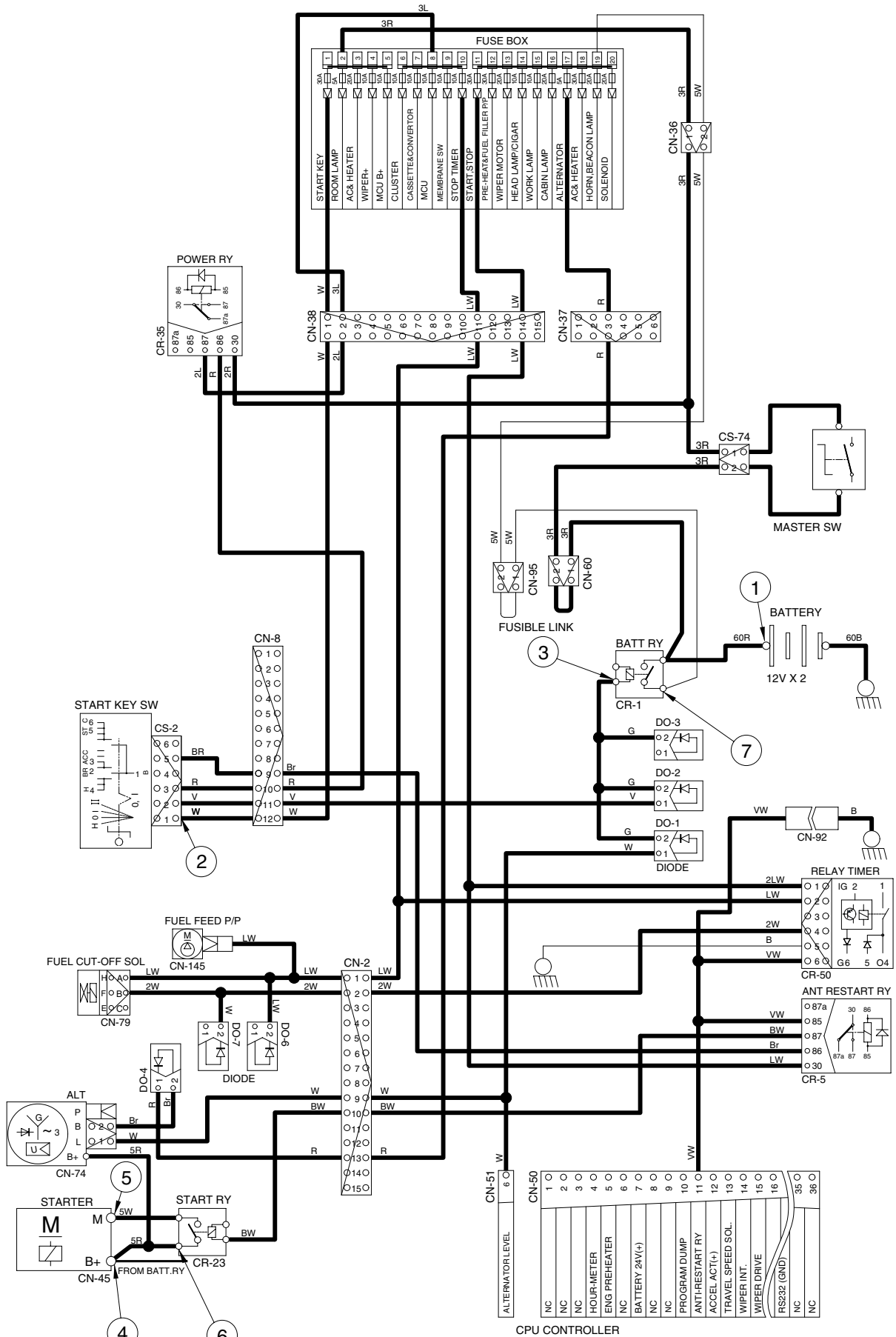
Start switch START[CS-2(5)] → I/conn[CN-8(9)] → Anti-restart relay [CR-5(86)→(87)]
 → I/conn [CN-2(10)] → Start relay [CR-23]

2) CHECK POINT

OEngine	Start switch	Check point	Voltage
Operating	Start	① - GND (Battery) ② - GND (Start key) ③ - GND (Battery relay M4) ④ - GND (Starter B) ⑤ - GND (Starter M) ⑥ - GND (Start relay) ⑦ - GND (Battery relay M8)	20 ~ 25V

※ GND : Ground

STARTING CIRCUIT



RD8074EL05

3. CHARGING CIRCUIT

When the starter is activated and the engine is started, the operator releases the key switch to the ON position.

Charging current generated by operating alternator flows into the battery through the Battery relay(CR-1).

The current also flows from alternator to each electrical component and controller through the fuse box.

1) OPERATING FLOW

(1) Warning flow

Alternator [CN-74(1)] → I/conn [CN-2(9)] → CPU Controller [CN-51(6)] →
Cluster warning lamp (Via serial interface)

(2) Charging flow

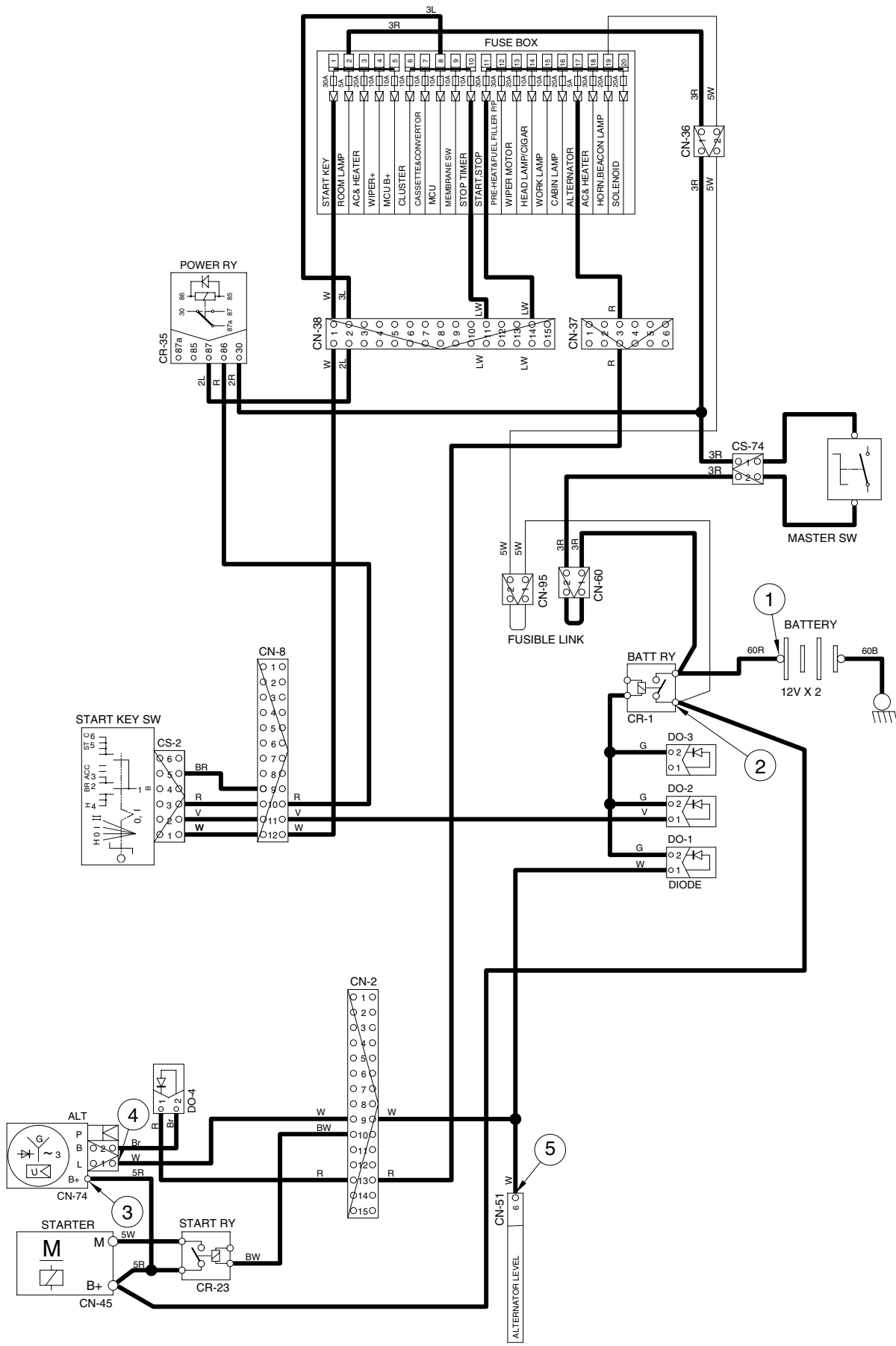
Alternator "B+" terminal → Battery relay → Battery(+) terminal
Fusible link → Fuse box

2) CHECK POINT

Engine	Start switch	Check point	Voltage
ON	ON	① - GND (Battery voltage) ② - GND (Battery relay) ③ - GND (Alternator B+ terminal) ④ - GND (Alternator I terminal) ⑤ - GND (CPU)	20~27V

※ GND : Ground

CHARGING CIRCUIT



CPU CONTROLLER

RD8074EL06

4. HEAD LAMP CIRCUIT

1) OPERATING FLOW

Fuse box (No.14) → I/conn[CN-38(15)] → I/conn[CN-7(7)] → Membrane switch[CN-116(9)]
I/conn[CN-6(7)] → Cigar light[CL-2]

※ When lamp switch ON

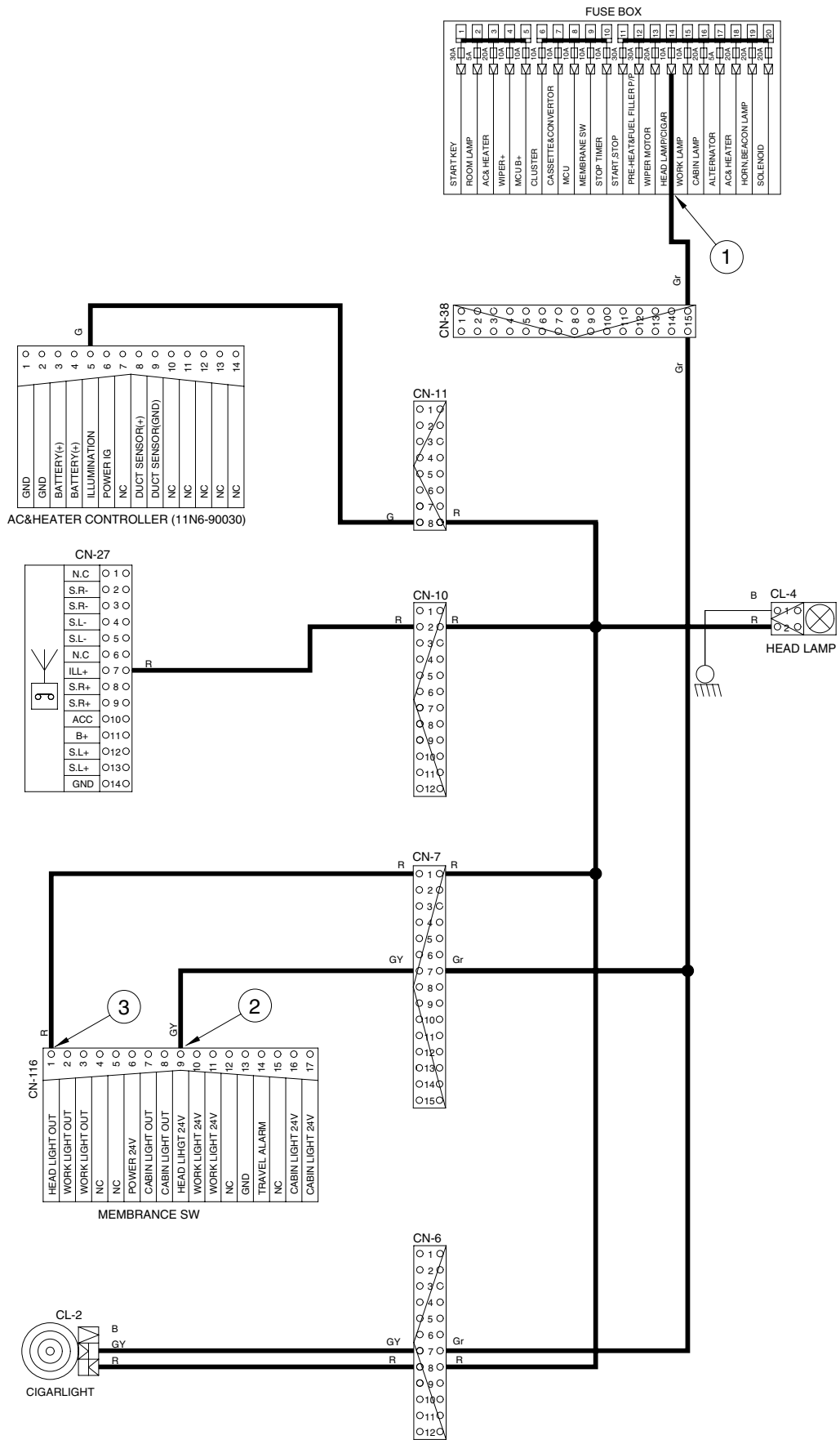
Membrane switch[CN-116(1)] → I/conn[CN-7(1)]
→ I/conn [CN-10(2)] → Cassette radio illumination [CN-27(7)]
→ I/conn [CN-11(8)] → AC & Heater controller illumination
→ Head lamp [CL-4(2)] : Head lamp ON
→ I/conn[CN-6(8)] → Cigarlight [CL-2]

2) CHECK POINT

Engine	Key switch	Check point	Voltage
STOP	ON	① - GND (Fuse box) ② - GND (Switch power input) ③ - GND (Switch power output)	20~25V

※ GND : Ground

HEAD LAMP CIRCUIT



7074EL07

5. WORK LAMP CIRCUIT

1) OPERATING FLOW

Fuse box (No.15) → I/conn[CN-37(1)] → I/conn [CN-7(8)] → Membrane switch[CN-116(10, 11)]

※ When work lamp switch ON

Work lamp switch ON [CN-116(2, 3)] → I/conn [CN-7(2)] → I/conn[CN-12(2)] →

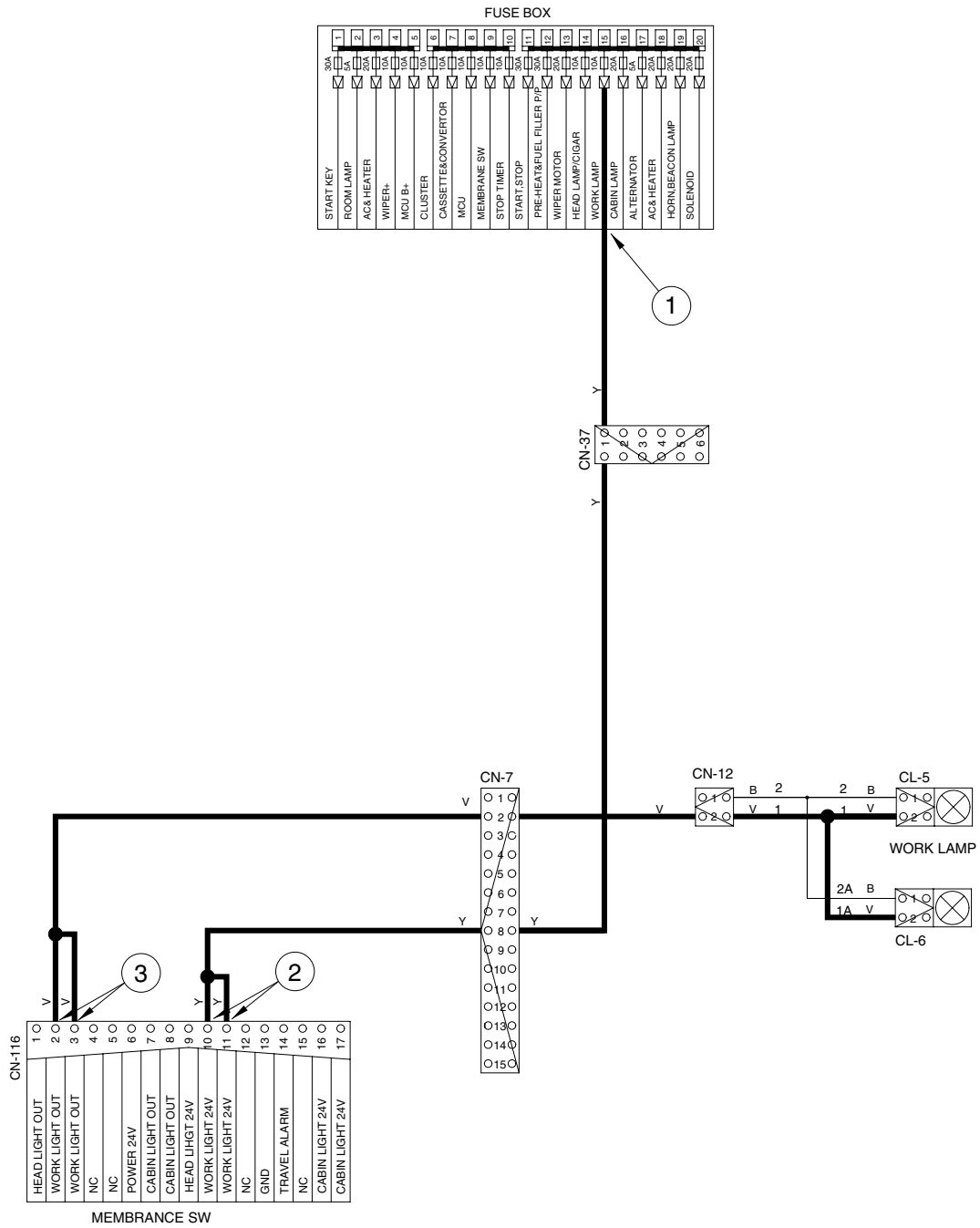
Work lamp ON [CL-5(2), CL-6(2)]

2) CHECK POINT

Engine	Key switch	Check point	Voltage
STOP	ON	① - GND (Fuse box) ② - GND (Light switch input) ③ - GND (Light switch output) ④ - GND (Work lamp)	20~25V

※ GND : Ground

WORK LAMP CIRCUIT



7074EL08

6. CAB LAMP CIRCUIT

1) OPERATING FLOW

Fuse box (No.16) → I/conn[CN-37(2)] → I/conn[CN-7(8)] → Membrane switch[CN-116(16, 17)]

※ When Lamp switch ON

Lamp switch ON [CN-116(7, 8)] → I/conn [CN-7(6)] → I/conn [CN-10(11)] →

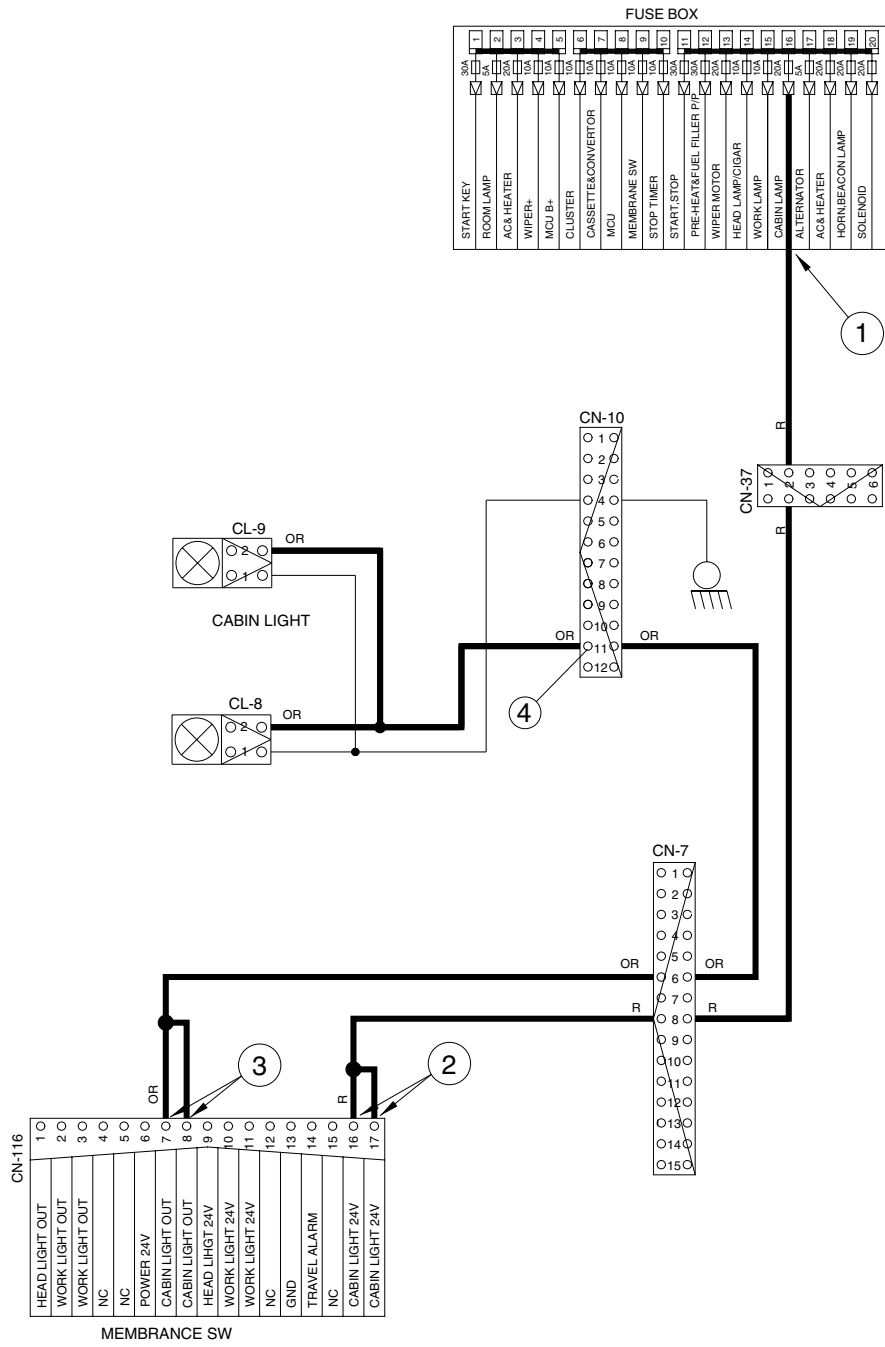
Cab light ON [CL-8(2), CL-9(2)]

2) CHECK POINT

Engine	Start switch	Check point	Voltage
STOP	ON	① - GND (Fuse box) ② - GND (Light switch input) ③ - GND (Light switch output) ④ - GND (Cab lamp)	20 ~ 25V

※ GND : Ground

CAB LAMP CIRCUIT



7074EL09

7. BEACON LAMP CIRCUIT

1) OPERATING FLOW

Fuse box (No.19) → I/conn[CN-37(5)] → I/conn [CN-8(3)] → Beacon lamp switch [CS-23(6)]

※ When lamp switch ON

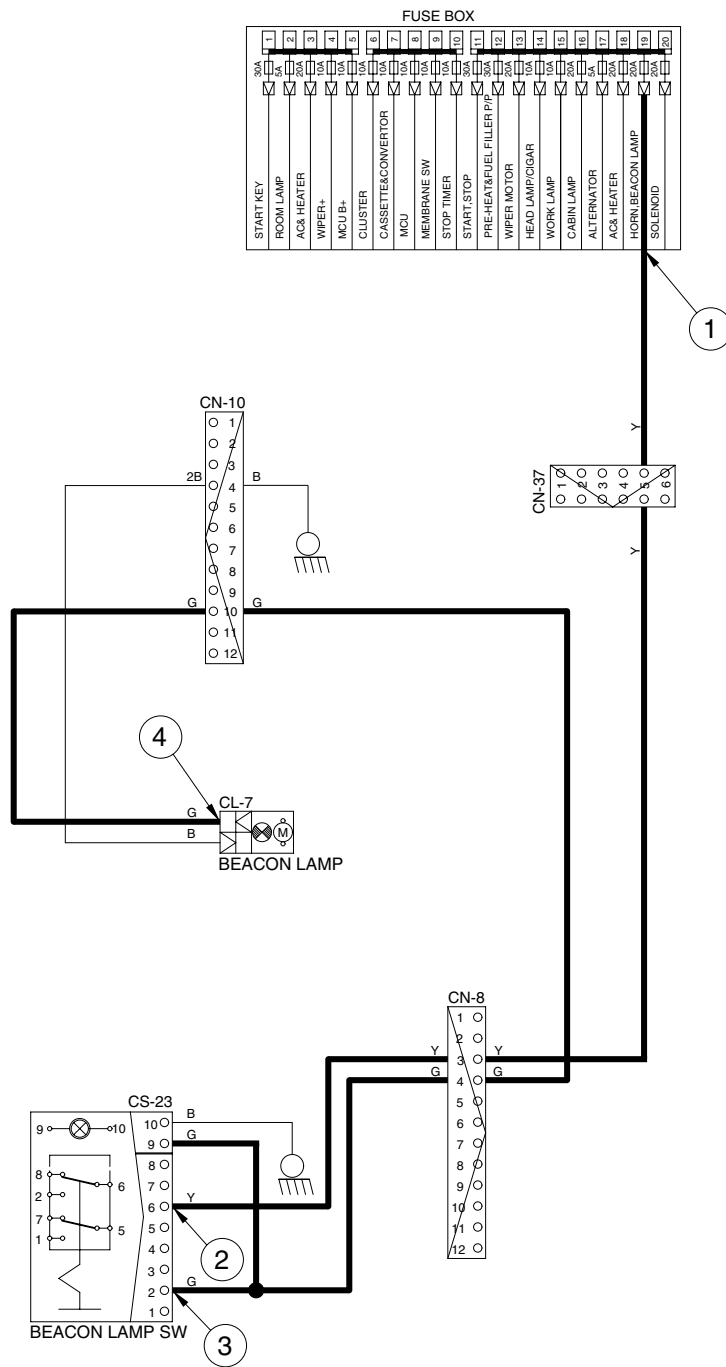
Beacon lamp switch ON [CS-23(2)] → Switch Indicator lamp ON [CS-23(9)]
I/conn [CN-8(4)] → I/conn [CN-10(10)]
→ Beacon lamp ON [CL-7]

2) CHECK POINT

Engine	Start switch	Check point	Voltage
STOP	ON	① - GND(Fuse box) ② - GND(Switch power input) ③ - GND(Switch power output) ④ - GND(Beacon lamp)	20~25V

※ GND : Ground

BEACON LAMP CIRCUIT

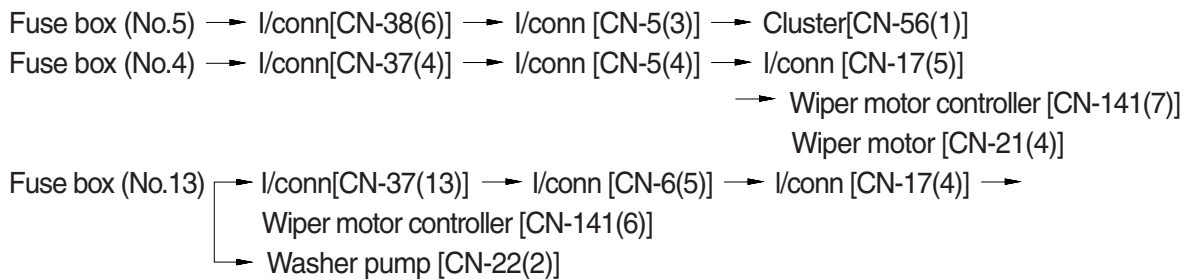


7074EL10

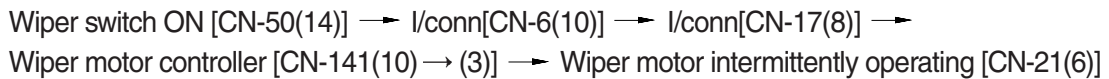
8. WIPER AND WASHER CIRCUIT

1) OPERATING FLOW

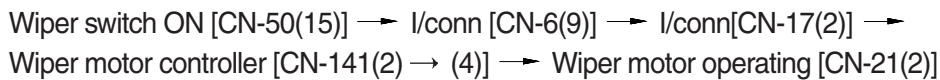
(1) Key switch ON



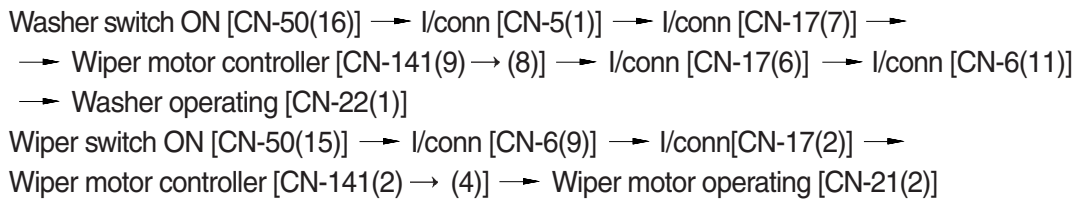
(2) Wiper switch ON(Intermittent)



(3) Wiper switch ON



(4) Washer switch ON



(5) Auto parking(When switch OFF)

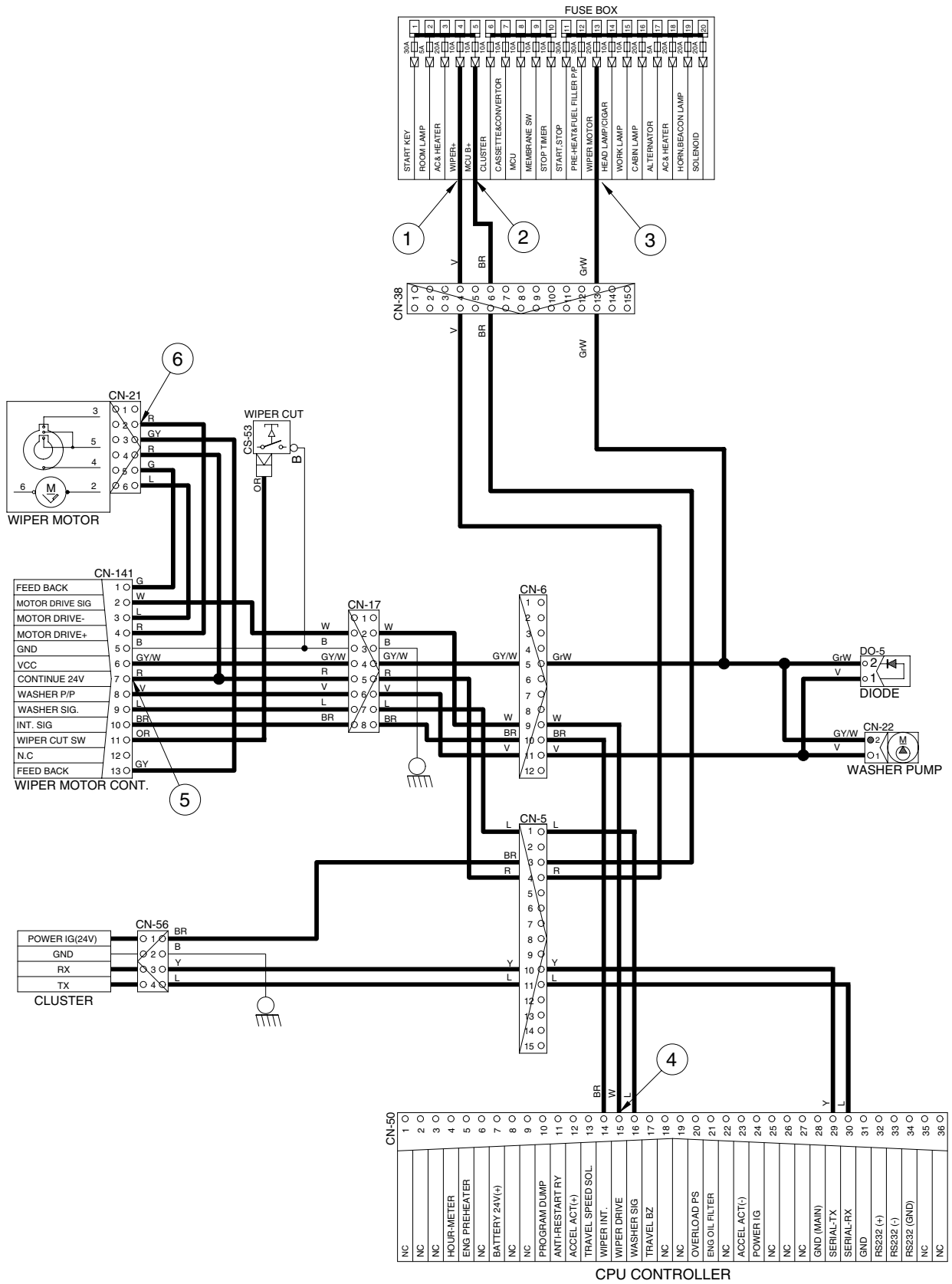


2) CHECK POINT

Engine	Start switch	Check point	Voltage
STOP	ON	① - GND(Fuse box)	24V
		② - GND(Switch power input)	
		③ - GND(Switch power output)	0~5V
		④ - GND(Wiper Power input)	
		⑤ - GND(Wiper power output)	24V
		⑥ - GND(Wiper motor)	0 or 24V

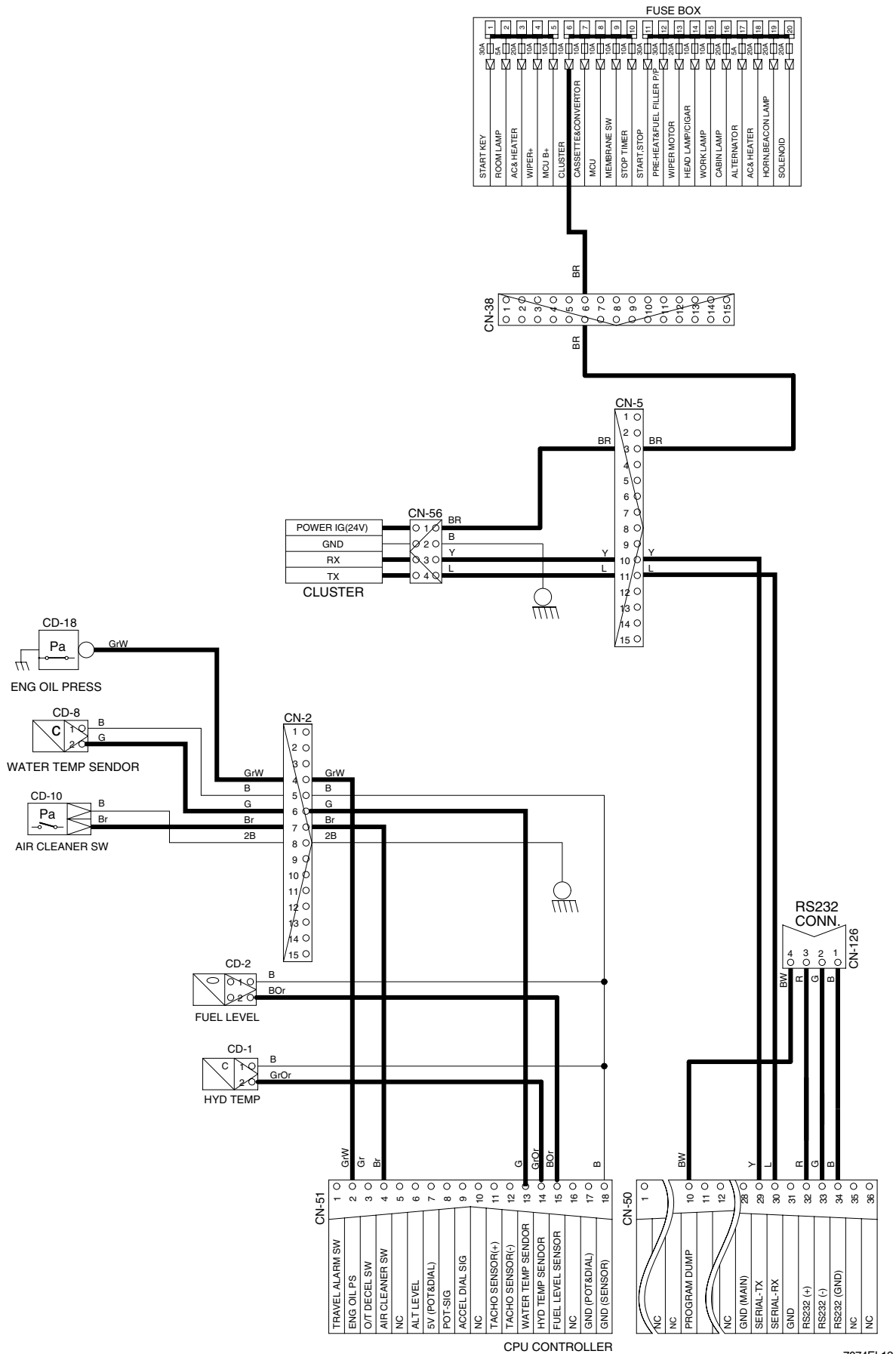
※ GND : Ground

WIPER AND WASHER CIRCUIT



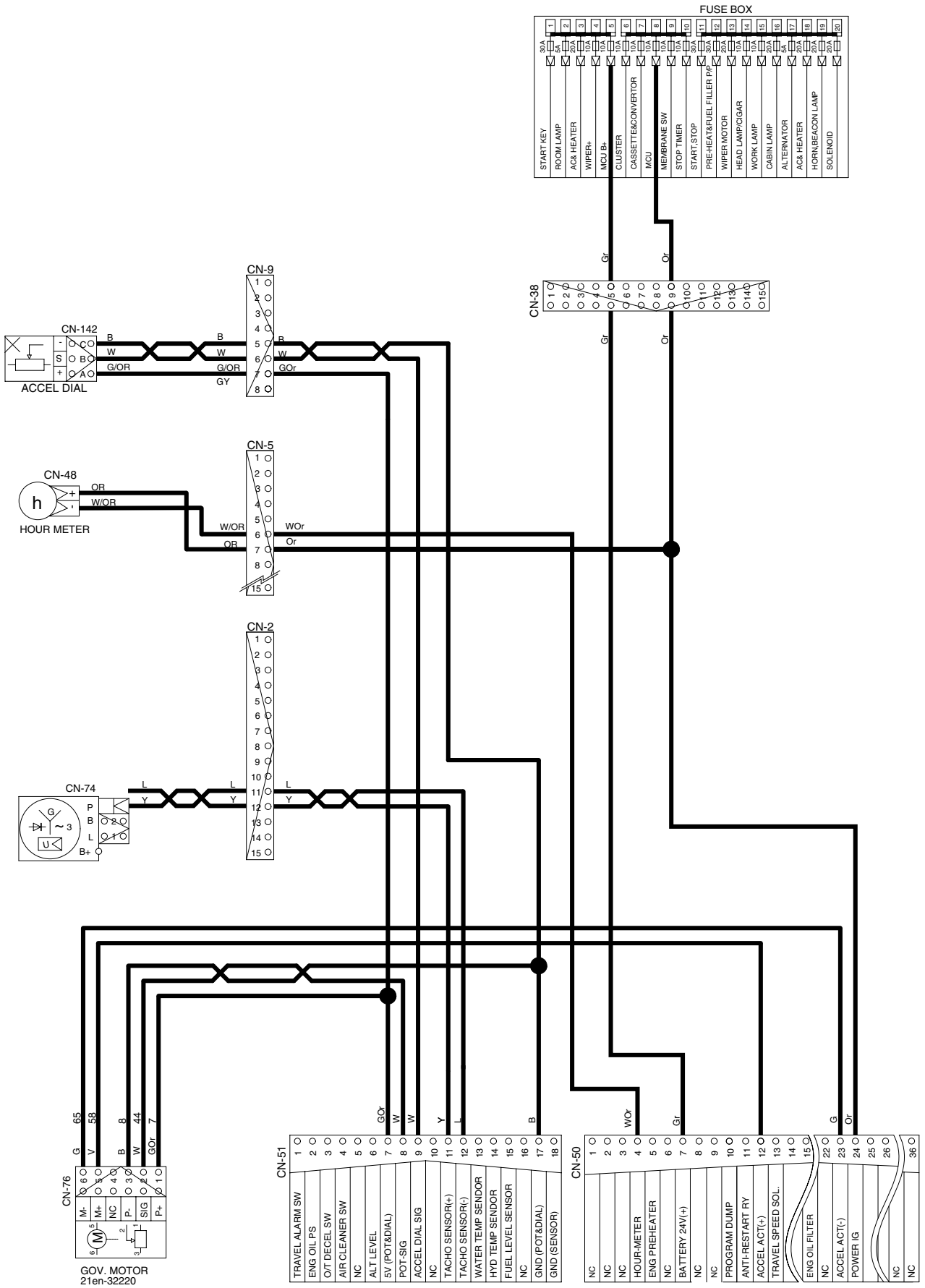
7074EL11

CONTROLLER CIRCUIT



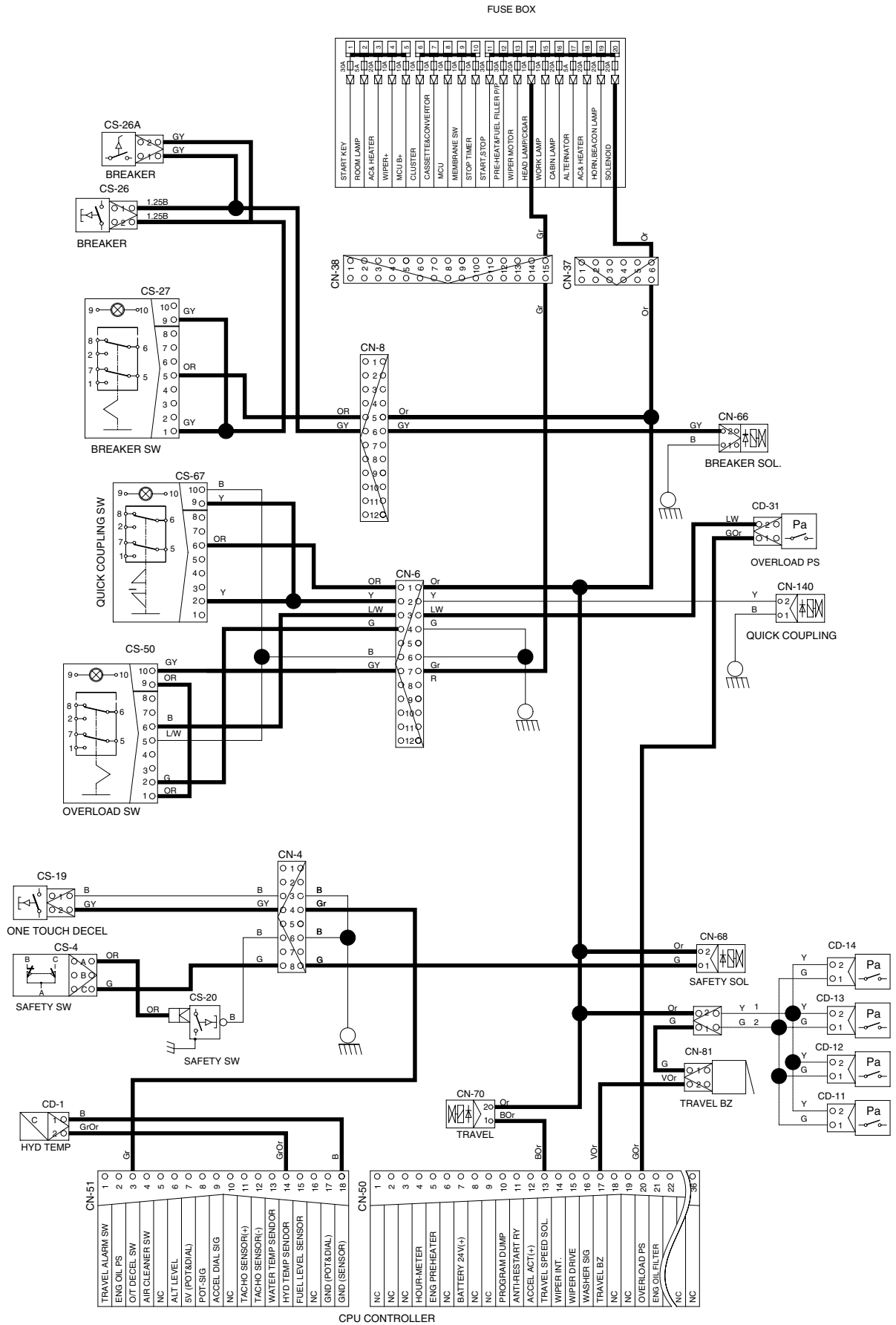
7074EL12

MONITORING CIRCUIT



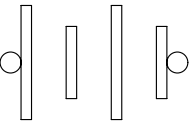
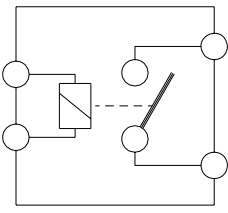
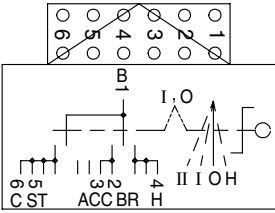
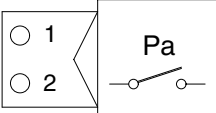
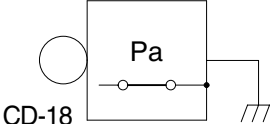
7074EL13

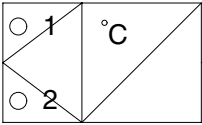
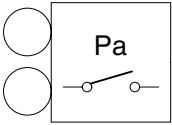
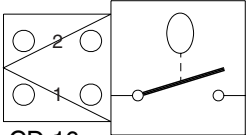
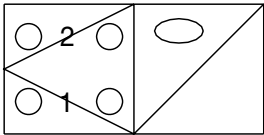
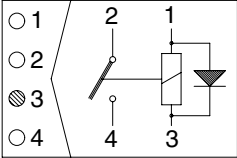
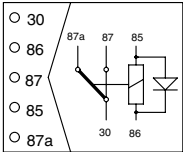
ELECTRIC CIRCUIT FOR HYDRAULIC

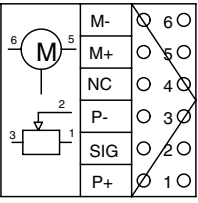
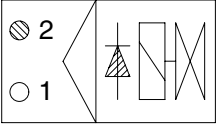
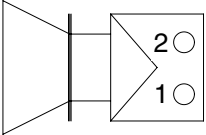
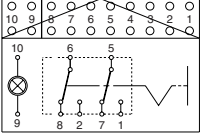
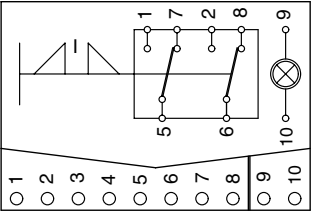
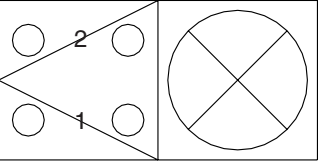


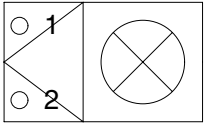
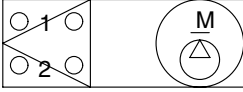
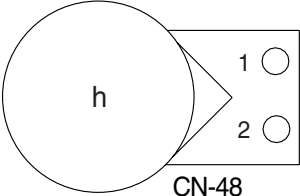
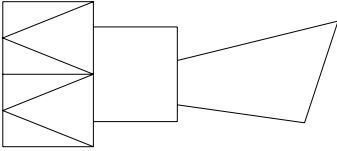
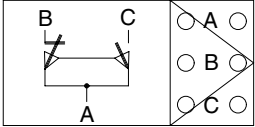
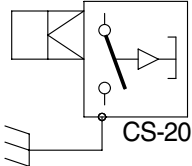
7074EL14

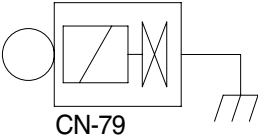
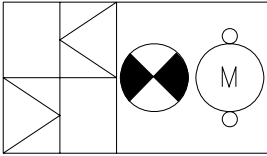
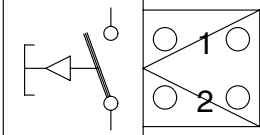
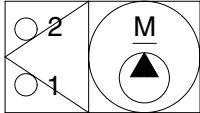
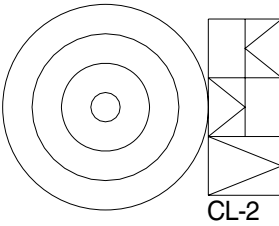
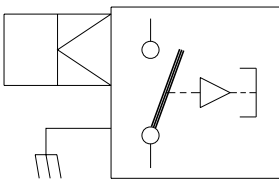
GROUP 3 ELECTRICAL COMPONENT SPECIFICATION

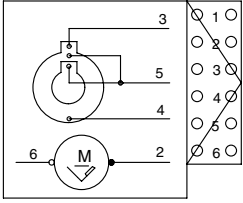
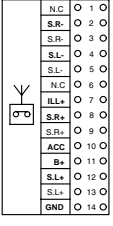
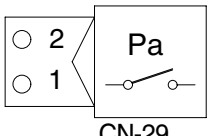
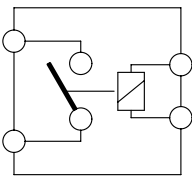
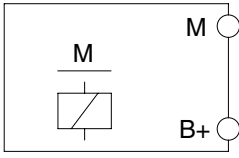
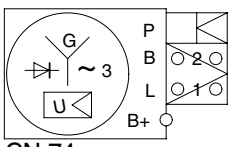
Part name	Symbol	Specification	Check
Battery		12V × 68Ah (2EA)	※ Check specific gravity 1.280 over : Over charged 1.280 ~ 1.250 : Normal 1.250 below : Recharging
Battery relay	 <p style="text-align: center;">CR-1</p>	Rated load : 24V 100A(continuity) 1000A(30second)	※ Check coil resistance (M4 to M4) Normal : About 50 Ω ※ Check contact Normal : ∞ Ω
Start key	 <p style="text-align: center;">CS-2</p>	24V 40A	※ Check contact OFF : ∞ Ω (For each terminal) ON : 0 Ω (For terminal 1-3 and 1-2) START : 0 Ω (For terminal 1-5)
Pressure switch (For overload)	 <p style="text-align: center;">CD-11, CD-12, CD-13 CD-14, CD-31</p>	3 ~ 6kgf/cm ² (N.O TYPE)	※ Check contact Normal : ∞(OPEN)
Pressure switch (For engine oil)	 <p style="text-align: center;">CD-18</p>	0.5 kgf/cm ² (N.C TYPE)	※ Check resistance Normal : 0 Ω (CLOSE)

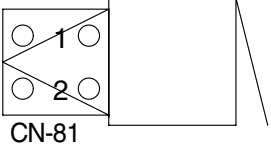
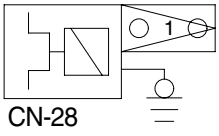
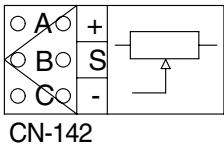
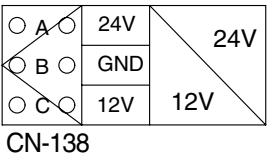
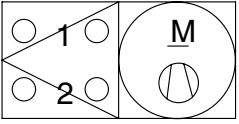
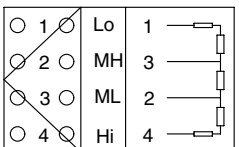
Part name	Symbol	Specification	Check
Temperature sensor (Coolant, hydraulic)	 CD-1, CD-8	-	※ Check resistance 50°C : 804 Ω 80°C : 310 Ω 100°C : 180 Ω
Air cleaner pressure switch	 CD-10	Pressure: 635mmH ₂ O (N.O TYPE)	※ Check contact Normal : ∞ Ω
Coolant level sensor	 CD-16	24V 0.5A	※ Check contact High level : ∞ Ω Low level : 0 Ω
Fuel sender	 CD-2	-	※ Check resistance Full : 50 Ω 6/12 : 350 Ω 11/12 : 100 Ω 5/12 : 400 Ω 10/12 : 150 Ω 4/12 : 450 Ω 9/12 : 200 Ω 3/12 : 500 Ω 8/12 : 250 Ω 2/12 : 550 Ω 7/12 : 300 Ω 1/12 : 600 Ω Empty warning : 700 Ω
Aircon relay	 HI, M2	24V 20A	※ Check resistance Normal : About 200 Ω (For terminal 1-3) : 0 Ω (For terminal 2-4)
Relay	 CR-2 CR-33 CR-5 CR-35 CR-7 CR-36	24V 16A	※ Check resistance Normal : About 160 Ω (For terminal 85-86) : 0 Ω (For terminal 30-87a) : ∞ Ω (For terminal 30-87)

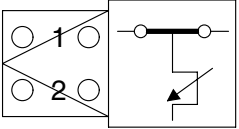
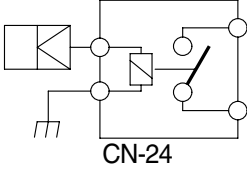
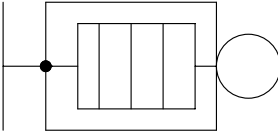
Part name	Symbol	Specification	Check
Accel actuator	 <p>CN-76</p>	-	※ Check resistance Normal : 1-2 Ω (For terminal 5-6) 0.8-1.2kΩ (For terminal 1-3)
Solenoid valve	 <p>CN-66 CN-68 CN-70 CN-88 CN-140</p>	24V 1A	※ Check resistance Normal : 15~25 Ω (For terminal 1-2)
Speaker	 <p>CN-23(LH) CN-24(RH)</p>	4 Ω 20W	※ Check resistance Normal : 4 Ω
Switch (Looking type)	 <p>CS-23, CS-24, CS-27, CS-54</p>	24V 8A	※ Check contact Normal ON - 0 Ω (For terminal 1-5,2-6) - ∞ Ω (For terminal 5-7,6-8) OFF - ∞ Ω (For terminal 1-5,2-6) - 0 Ω (For terminal 5-7,6-8)
Switch	 <p>CS-67</p>	24V 8A	※ Check contact Normal ON - 0 Ω (For terminal 1-5,2-6) - ∞ Ω (For terminal 5-7,6-8) OFF - ∞ Ω (For terminal 1-5,2-6) - 0 Ω (For terminal 5-7,6-8)
Lamp	 <p>CL-4, CL-5, CL-6, CL-8, CL-9</p>	24V 70W (H3 TYPE)	※ Check disconnection Normal : 1.2 Ω

Part name	Symbol	Specification	Check
Room lamp	 <p>CL-1</p>	24V 10W	※ Check disconnection Normal : A few Ω
Fuel filler pump	 <p>CN-61</p>	24V 10A 35 l/min	※ Check resistance Normal : 1.0 Ω
Hour meter	 <p>CN-48</p>	16V ~ 32V	※ Check operation · Supply power(24V) to terminal No. 2 and connect terminal No. 1 and ground.
Horn	 <p>CN-20 CN-25</p>	DC 22.0 ~ 28.0V 2A	※ Check operation · Supply power(24V) to each terminal and connect ground.
Safety switch 1	 <p>CS-4</p>	24V 15A (N.C TYPE)	※ Check contact Normal : 0 Ω (For terminal A-B) : $\infty \Omega$ (For terminal A-C) Operating : $\infty \Omega$ (For terminal A-B) : 0 Ω (For terminal A-C)
Safety switch 2	 <p>CS-20</p>	24V (N.C TYPE)	※ Check contact Normal : 0 Ω (one pin to ground)

Part name	Symbol	Specification	Check
Fuel cut-off	 CN-79	24V	※ Check resistance Normal : 15~25 Ω
Beacon lamp	 CL-7	24V 70W	※ Check disconnection Normal : 1.1 Ω
Switch (One touch decel, Breaker, Horn)	 CS-5 CS-19 CS-26 CS-29	24V 6A	※ Check contact Normal : ∞ Ω
Washer pump	 CN-22	24V 3.8A	※ Check contact Normal : 10.7 Ω (For terminal 1-2)
Cigar lighter	 CL-2	24V 5A 1.4W	※ Check coil resistance Normal : About 1MΩ ※ Check contact Normal : ∞ Ω Operating time : 5~15sec
Switch (Door, Safety, Wiper cut)	 CS-1, CS-20, CS-53	24V 2W	※ Check resistance Normal : About 5MΩ

Part name	Symbol	Specification	Check
Wiper motor	 <p>CN-21</p>	24V 2A	※ Check contact Normal : 7 Ω (For terminal 2-6)
Cassette radio	 <p>CN-27</p>	24V 2A	※ Check voltage 20 ~ 25V (For terminal 10-14,11-14)
Receiver dryer	 <p>CN-29</p>	24V 2.5A	※ Check contact Normal : 0 Ω
Start relay	 <p>CR-23</p>	24V 300A	※ Check contact Normal : 0.94 Ω (For terminal 1-2)
Starter	 <p>CN-45</p>	Delco Remy 28MT 24V	※ Check contact Normal : 0.1 Ω
Alternator	 <p>CN-74</p>	24V 60A	※ Check contact Normal : 0 Ω (For terminal B □1) Normal : 24 ~ 27.5V

Part name	Symbol	Specification	Check
Travel alarm		24V 0.5A	※ Check contact Normal : 5.2 Ω
Aircon compressor		24V 79W	※ Check contact Normal : 13.4 Ω
Accel dial		-	※ Check resistance Normal : About 5KΩ (For terminal A-C) ※ Check valtage Normal : About 5V : 2 ~ 4.5V (For terminal C-B)
DC/DC Converter		12V 3A	24V(A-B) 12V(B-C)
Blower motor		24V 9.5A	※ Check resistance 2.5 Ω (For terminal 1-2)
Resistor		-	※ Check resistance 1.12 Ω (For terminal 4-2) 2.07 Ω (For terminal 2-3) 3.17 Ω (For terminal 3-1)

Part name	Symbol	Specification	Check
Duct sensor (Switch)		1°C OFF 4°C ON	※ Check resistance : 0 Ω (For terminal 1-2, the atmosphere temp : over 4°C)
Preheater relay		24V 200A	※ Check contact Normal : 0.94 Ω (For terminal 1-GND)
Preheater		24V 200A	※ Check resistance : 0.25 ~ 0.12 Ω

GROUP 4 CONNECTORS

1. CONNECTOR DESTINATION

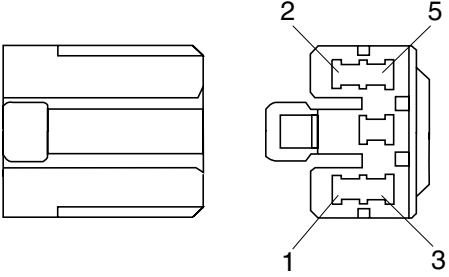
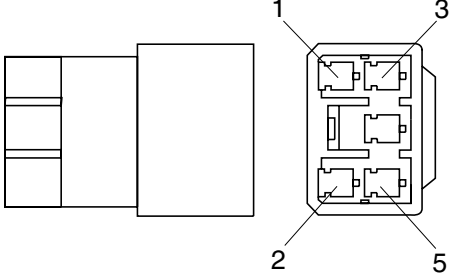
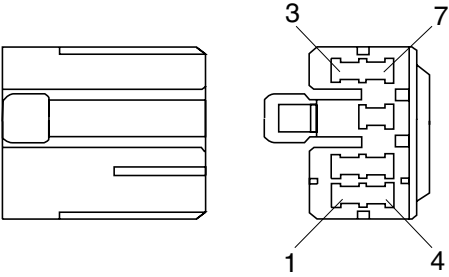
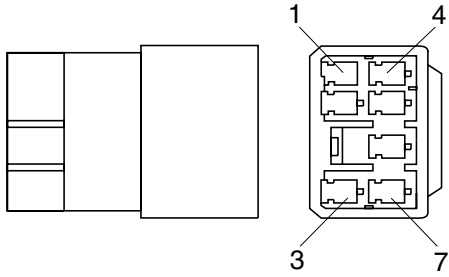
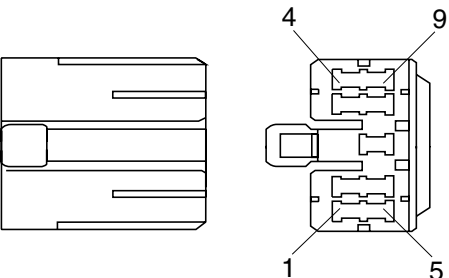
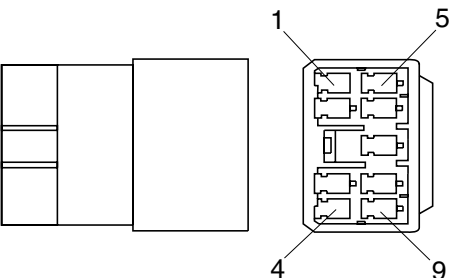
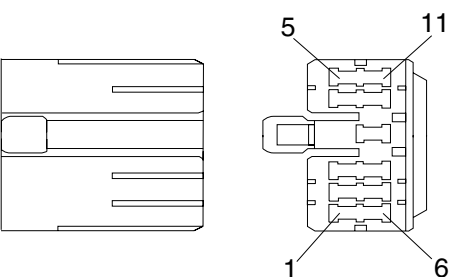
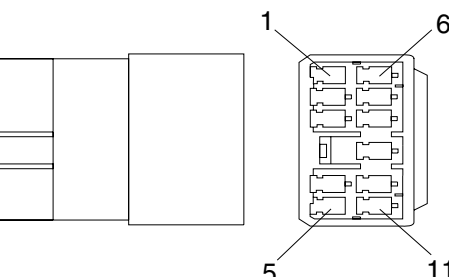
Connector number	Type	No. of pin	Destination	Connector part No.	
				Female	Male
CN-2	AMP	15	Engine harness	2-85262-1	368301-1
CN-4	AMP	8	LH console wire harness	S816-008002	S816-108002
CN-5	AMP	15	RH side harness	2-85262-1	368301-1
CN-6	AMP	12	RH side harness	S816-012002	S816-112002
CN-7	AMP	15	RH console wire harness	2-85262-1	368301-1
CN-8	AMP	12	RH console wire harness	S816-012002	S816-112002
CN-9	AMP	8	RH console wire harness	S816-008002	S816-108002
CN-10	DEUTSCH	12	Cab harness	DT06-12S	DT04-12P
CN-11	DEUTSCH	8	LH console wire harness	DT06-8S	-
CN-12	KET	2	Work lamp harness	MG640188-4	-
CN-17	DEUTSCH	8	Wipe harness	DT06-8S	DT04-8P
CN-20	MOLEX	2	Horn	36825-0211	-
CN-21	AMP	6	Wiper motor	925276-0	-
CN-22	-	2	Washer tank	MG640605	-
CN-23	KET	2	LH speaker	MG610070	7322-1520
CN-24	KET	2	RH speaker	MG610070	7322-1520
CN-25	MOLEX	2	Horn	36825-0211	-
CN-27	AMP	14	Cassette radio	173852	AMP14P
CN-28	-	1	Air-con comp	MWP-01F-B	-
CN-29	KET	2	Receiver dryer	MG640795	-
CN-36	-	3	Fuse box	S813-030200	S813-130200
CN-37	-	6	Fuse box	S816-006002	S816-106002
CN-38	AMP	15	Fuse box	2-85262-1	368301-1
CN-45	RING TERM	1	Starter	S820-308000	-
CN-48	-	2	Hour meter	S810-002202	-
CN-50	AMP	36	CPU	3441111-1	-
CN-51	AMP	36	CPU	3441111-1	-
CN-55	AMP	2	Travel alarm pressure switch	S816-002002	S816-102002
CN-56	DEUTSCH	4	Cluster	-	DT04-4P
CN-60	-	2	Fusible link	-	7122-4125-50
CN-61	DEUTSCH	2	Fuel filler pump	DT06-2S-EP06	DT01-2P-P012
CN-66	DEUTSCH	2	Breaker solenoid valve	DT06-2S-EP06	DT04-2P-E005
CN-68	DEUTSCH	2	Safety solenoid valve	DT06-2S-EP06	-
CN-70	DEUTSCH	2	Travel speed solenoid valve	DT06-2S-EP06	-
CN-74	KET	2	Alternator	MG640188-4	-
CN-76	DEUTSCH	6	Accel actuator	DT06-6S-EP06	-
CN-79	RING TERM	1	Fuel cut-off solenoid	S813-060300	-
CN-81	DEUTSCH	2	Travel buzzer	DT06-2S-EP06	DP04-2P-E005

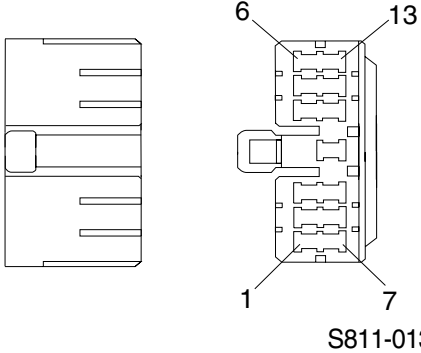
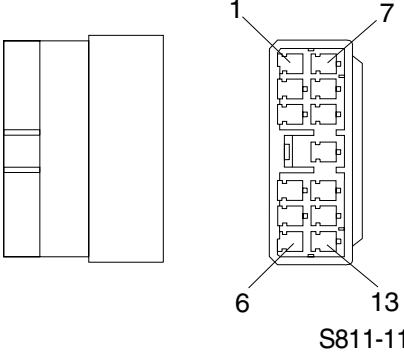
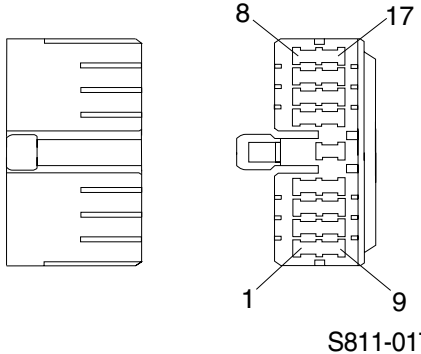
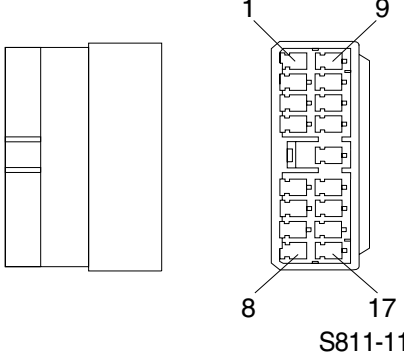
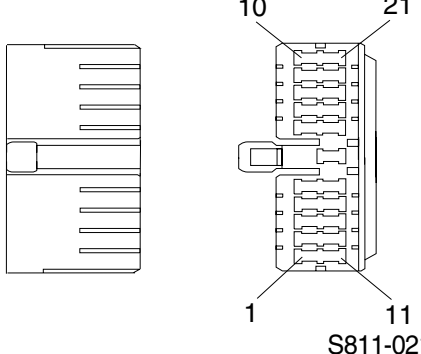
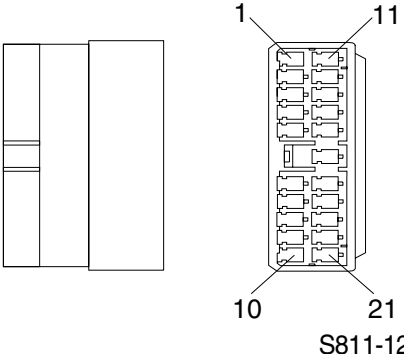
Connectorn umber	Type	No. of pin	Destination	Connector part No.	
				Female	Male
CN-83	KET	4	AC Fan	MG651092	-
CN-92	AMP	1	Safety	S814-101100	S814-001100
CN-95	KET	2	Fusible link	-	S813-130200
CN-125	-	4	GPS	S816-004002	S816-104002
CN-126	DEUTSCH	4	RS232C connector	DT06-4S-P012	DT04-4P-E004
CN-138	DEUTSCH	3	DC/DC converter	DT06-3S	DT04-3P
CN-139	DEUTSCH	2	12V Socket	-	DT04-2P
CN-140	DEUTSCH	2	Quick coupling	DT06-2S-EP06	DT04-2P-E005
CN-141	AMP	13	Wiper motor control unit	172498-1	-
CN-142	DEUTSCH	3	Accel dial	DT06-3S	-
CN-143	KET	14	Cassette radio	MG610406	-
CN-144	AMP	12	Remocon	174045-2	-
CN-145	-	2	Fuel feed pump	7123-6423-30	-
RELAY					
CR-1	RING TERM	1	Battery relay	S820-104002	-
CR-3	-	4	Work lamp relay	S820-104000	-
CR-23	-	2	Start relay	S820-104000	-
CR-24	-	1	Pre-heater relay	S822-014000	-
CR-43	-	4	Engine stop relay	S810-004202	-
SWITCH					
CS-1	CB104	1	Door switch	S822-014004	-
CS-2	-	6	Start key switch	S814-006000	-
CS-4	DEUTSCH	6	Safety switch	DT06-3S	-
CS-5	DEUTSCH	2	Horn switch	-	DT04-2P
CS-19	DEUTSCH	2	One touch decel	DT06-2S	DT04-2P
CS-20	AMP	1	Safety switch	S822-014002	-
CS-21	SWF	10	Main light switch	SWF593757	-
CS-23	SWF	10	Beacon lamp switch	SWF593757	-
CS-24	SWF	10	Overload switch	SWF593757	-
CS-26	DEUTSCH	2	Breaker switch	SWF593757	-
CS-27	SWF	10	Breaker switch	SWF593757	-
CS-53	AMP	1	Wiper cut switch	S822-014002	-
CS-54	SWF	10	Travel alarm	SWF593757	-
CS-67	SWF	10	Quick coupling switch	SWF593757	-
LAMP					
CL-1	KET	2	Cab room lamp	MG610392	-
CL-2	-	1	Cigar light	S822-014002	-
CL-4	DEUTSCH	2	Head lamp	-	DT04-2P-E005
CL-5	DEUTSCH	2	Work lamp-LH	-	DT04-2P
CL-6	DEUTSCH	2	Work lamp-RH	-	DT04-2P
CL-7	CB104	1	Beacon lamp	S822-014004	-

Connectorn umber	Type	No. of pin	Destination	Connector part No.	
				Female	Male
CL-8	DEUTSCH	2	LH cabin light	-	DT04-2P
CL-9	DEUTSCH	2	RH cabin light	-	DT04-2P
SENDER					
CD-1	AMP	2	Hydraulic Temp sender	963040-3	-
CD-2	DEUTSCH	2	Fuel sender	DT06-2S-EP06	-
CD-8	-	2	Water temp sender	85202-1	-
CD-10	RING TERM	1	Air cleaner switch	S820-104002	-
CD-11	AMP	2	Travel alarm pressure switch	S816-102002	-
CD-12	AMP	2	Travel alarm pressure switch	S816-102002	-
CD-13	AMP	2	Travel alarm pressure switch	S816-102002	-
CD-14	AMP	2	Travel alarm pressure switch	S816-102002	-
CD-16	-	2	Water level	S814-002100	-
CD-17	-	2	Tacho sensor	S814-002001	-
CD-18	RING TERM	1	Engine oil pressure switch	S819-010122	-
CD-31	DEUTSCH	2	Overload pressure switch	DT06-2S-EP06	-

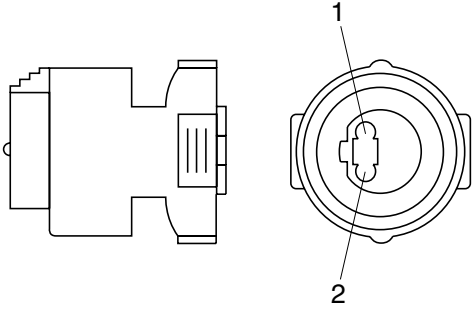
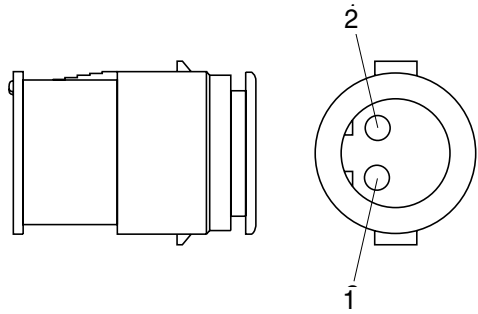
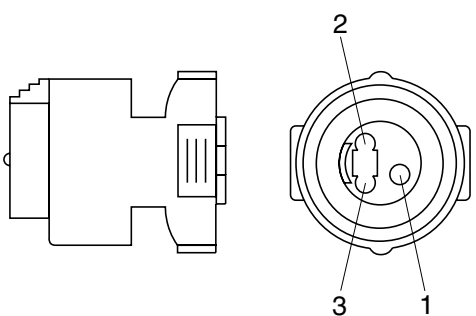
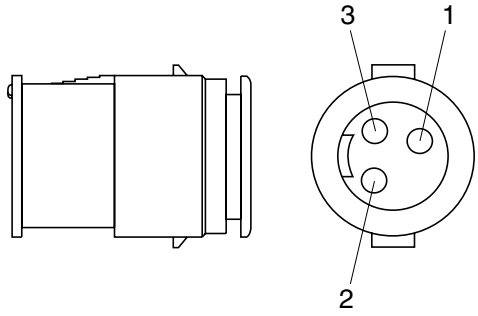
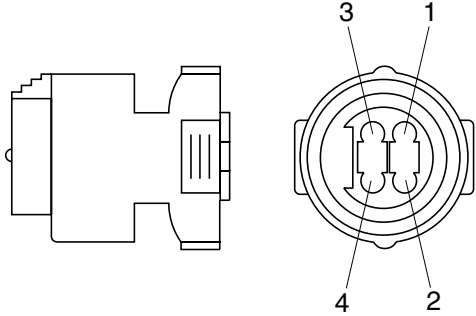
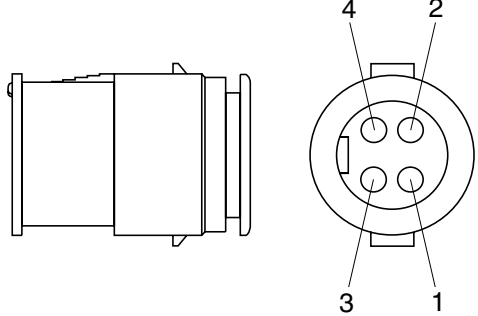
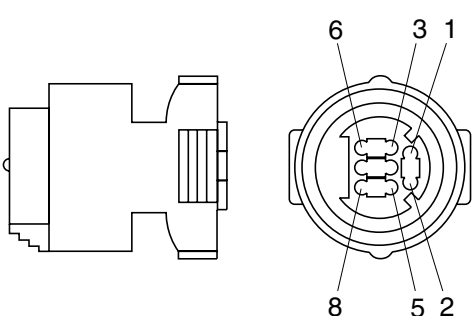
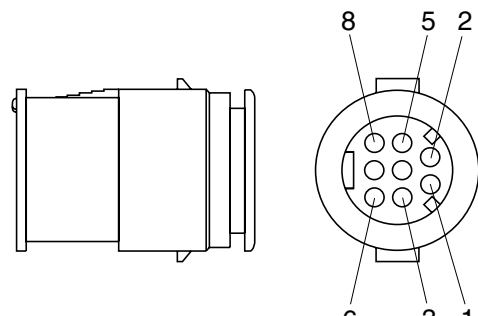
2. CONNECTION TABLE FOR CONNECTORS

1) PA TYPE CONNECTOR

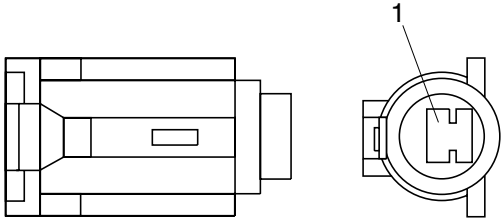
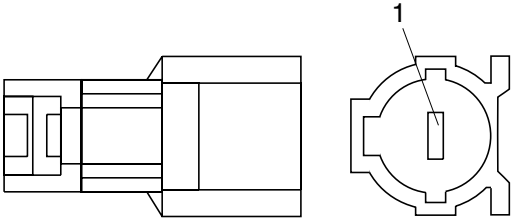
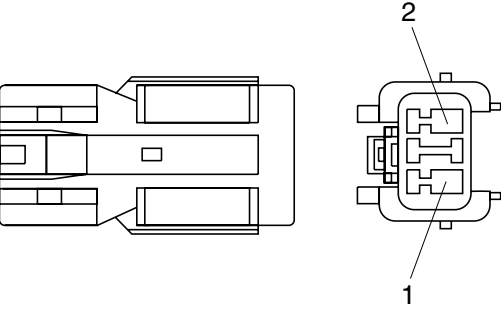
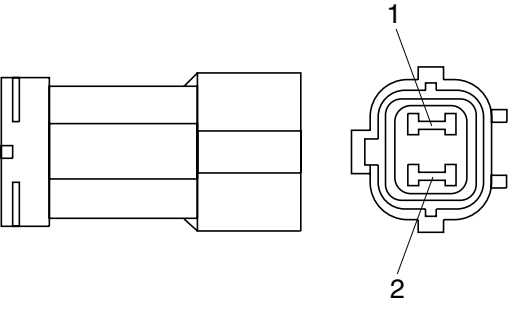
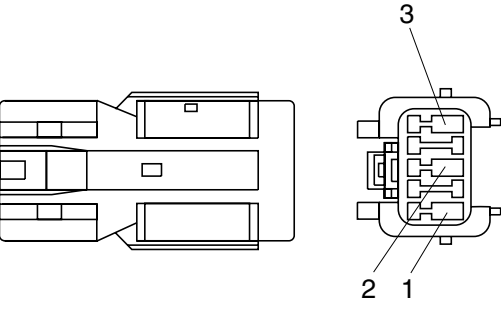
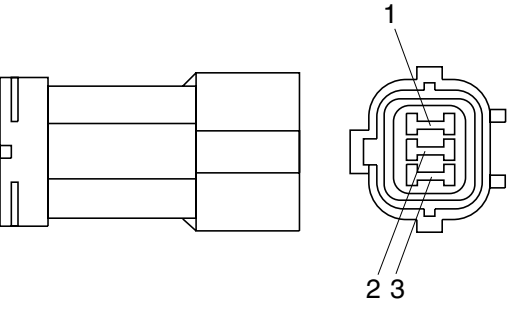
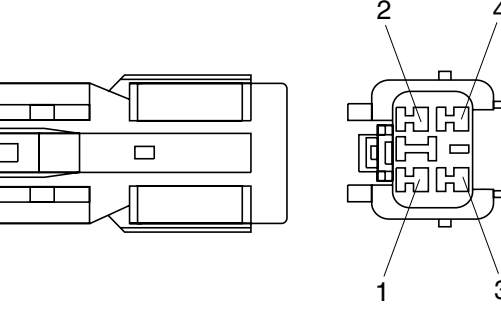
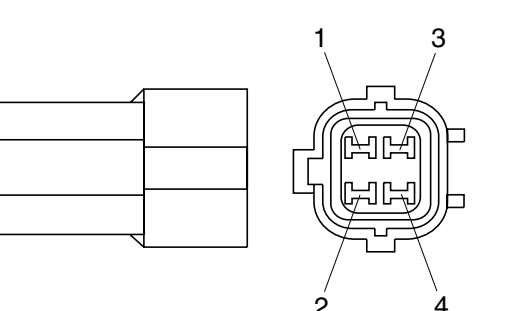
No. of pin	Receptacle connector(Female)	Plug connector(Male)
5	 <p style="text-align: center;">S811-005002</p>	 <p style="text-align: center;">S811-105002</p>
7	 <p style="text-align: center;">S811-007002</p>	 <p style="text-align: center;">S811-107002</p>
9	 <p style="text-align: center;">S811-009002</p>	 <p style="text-align: center;">3S811-109002</p>
11	 <p style="text-align: center;">S811-011002</p>	 <p style="text-align: center;">S811-111002</p>

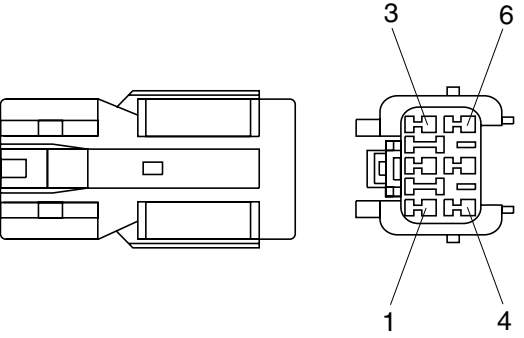
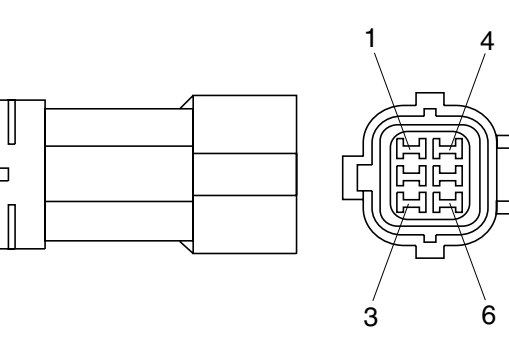
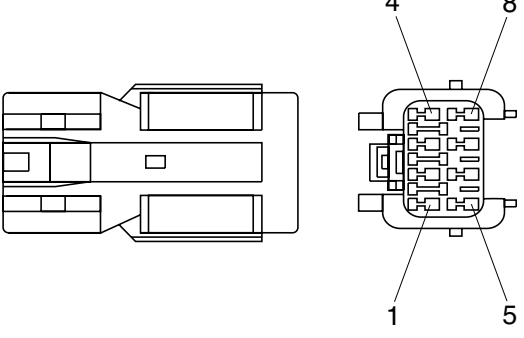
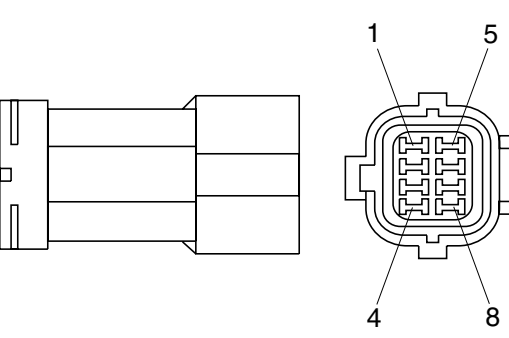
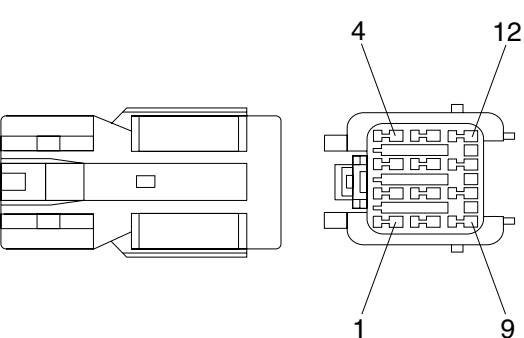
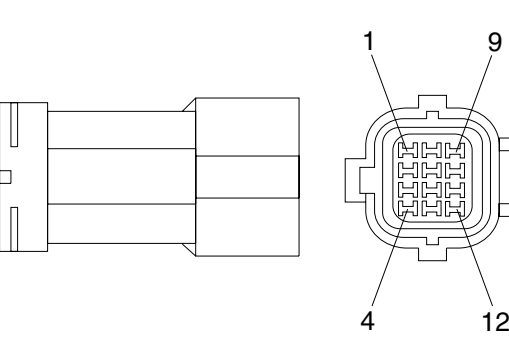
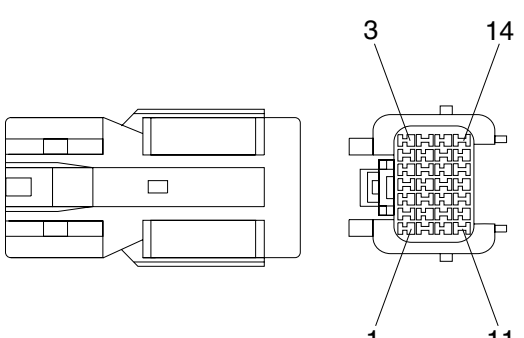
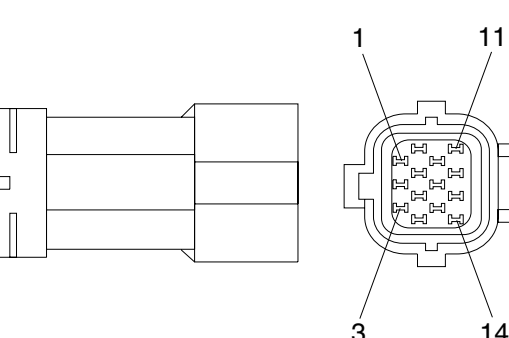
No. of pin	Receptacle connector(Female)	Plug connector(Male)
13	 <p style="text-align: center;">S811-013002</p>	 <p style="text-align: center;">S811-113002</p>
17	 <p style="text-align: center;">S811-017002</p>	 <p style="text-align: center;">S811-117002</p>
21	 <p style="text-align: center;">S811-021002</p>	 <p style="text-align: center;">S811-121002</p>

2) J TYPE CONNECTOR

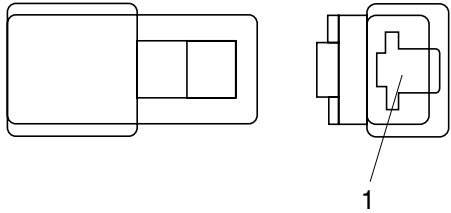
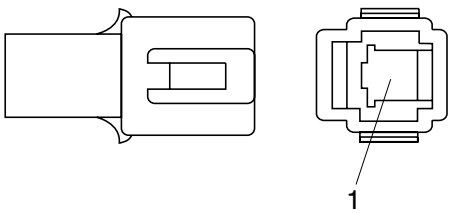
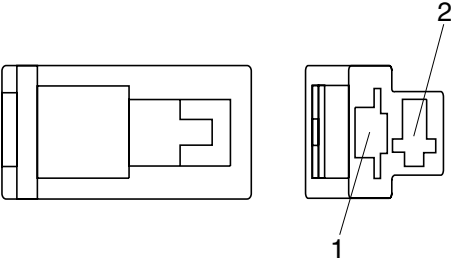
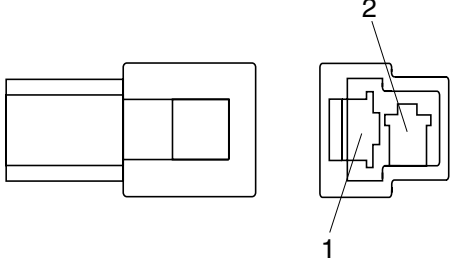
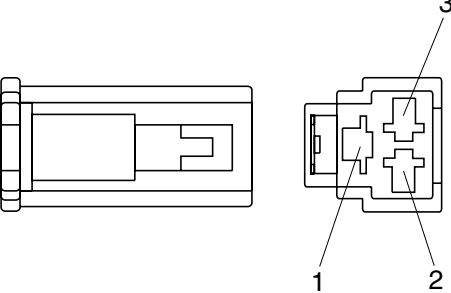
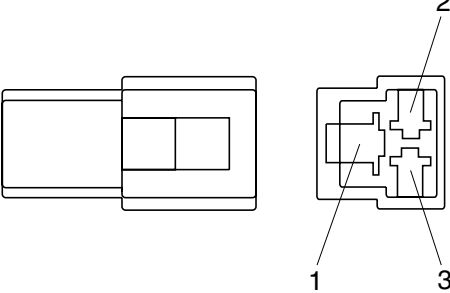
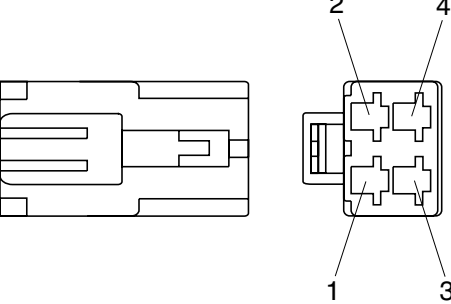
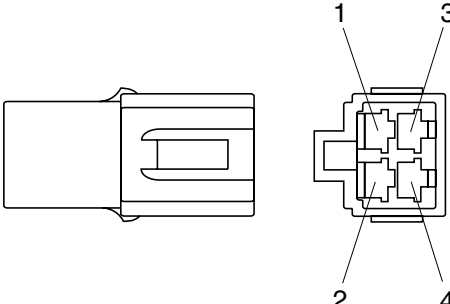
No. of pin	Receptacle connector(Female)	Plug connector(Male)
2	 <p style="text-align: center;">S816-002001</p>	 <p style="text-align: center;">S816-102001</p>
3	 <p style="text-align: center;">S816-003001</p>	 <p style="text-align: center;">S816-103001</p>
4	 <p style="text-align: center;">S816-004001</p>	 <p style="text-align: center;">S816-104001</p>
8	 <p style="text-align: center;">S816-008001</p>	 <p style="text-align: center;">S816-108001</p>

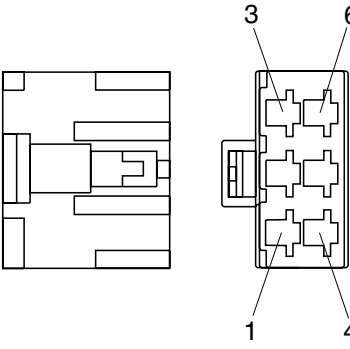
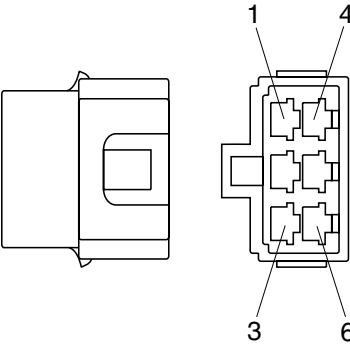
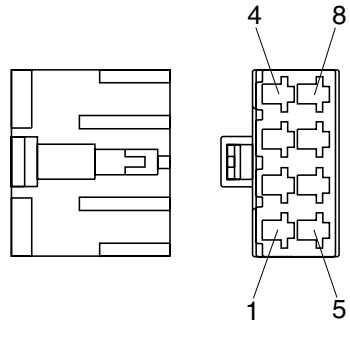
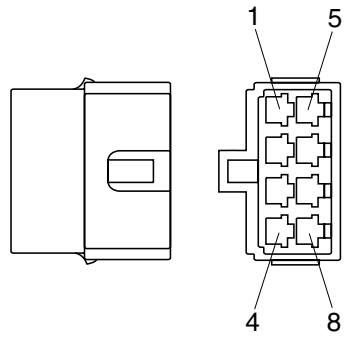
3) SWP TYPE CONNECTOR

No. of pin	Receptacle connector(Female)	Plug connector(Male)
1	 <p data-bbox="687 674 839 707">S814-001000</p>	 <p data-bbox="1241 674 1393 707">S814-101000</p>
2	 <p data-bbox="687 1077 839 1111">S814-002000</p>	 <p data-bbox="1241 1077 1393 1111">S814-102000</p>
3	 <p data-bbox="687 1480 839 1514">S814-003000</p>	 <p data-bbox="1241 1480 1393 1514">S814-103000</p>
4	 <p data-bbox="687 1883 839 1917">S814-004000</p>	 <p data-bbox="1241 1883 1393 1917">S814-104000</p>

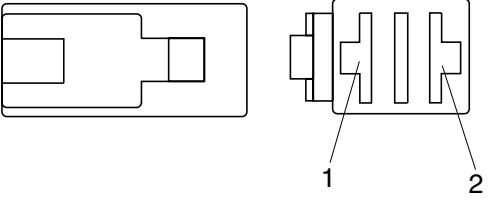
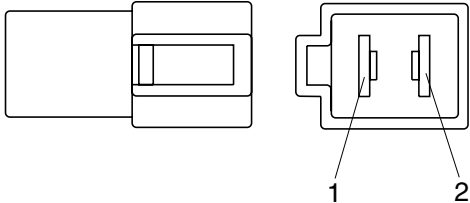
No. of pin	Receptacle connector(Female)	Plug connector(Male)
6	 <p data-bbox="686 627 837 660">S814-006000</p>	 <p data-bbox="1244 627 1396 660">S814-106000</p>
8	 <p data-bbox="686 1041 837 1075">S814-008000</p>	 <p data-bbox="1244 1041 1396 1075">S814-108000</p>
12	 <p data-bbox="686 1444 837 1478">S814-012000</p>	 <p data-bbox="1244 1444 1396 1478">S814-112000</p>
14	 <p data-bbox="686 1848 837 1881">S814-014000</p>	 <p data-bbox="1244 1848 1396 1881">S814-114000</p>

4) CN TYPE CONNECTOR

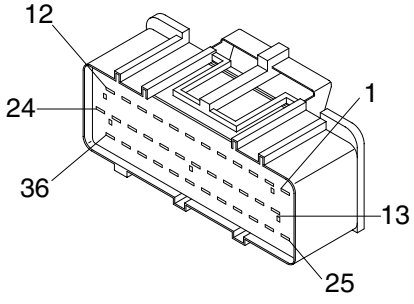
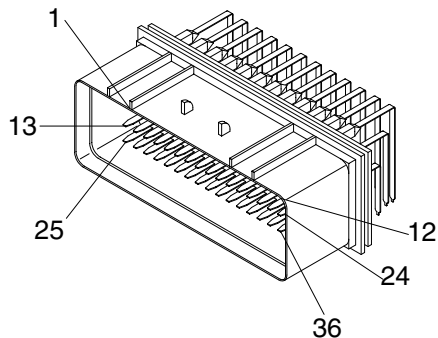
No. of pin	Receptacle connector(Female)	Plug connector(Male)
1	 <p style="text-align: center;">S810-001202</p>	 <p style="text-align: center;">S810-101202</p>
2	 <p style="text-align: center;">S810-002202</p>	 <p style="text-align: center;">S810-102202</p>
3	 <p style="text-align: center;">S810-003202</p>	 <p style="text-align: center;">S810-103202</p>
4	 <p style="text-align: center;">S810-004202</p>	 <p style="text-align: center;">S810-104202</p>

No. of pin	Receptacle connector(Female)	Plug connector(Male)
6	 <p style="text-align: center;">S810-006202</p>	 <p style="text-align: center;">S810-106202</p>
8	 <p style="text-align: center;">S810-008202</p>	 <p style="text-align: center;">S810-108202</p>

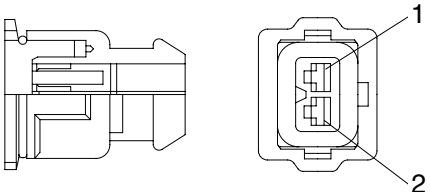
5) 375 FASTEN TYPE CONNECTOR

No. of pin	Receptacle connector(Female)	Plug connector(Male)
2	 <p style="text-align: center;">S810-002402</p>	 <p style="text-align: center;">S810-102402</p>

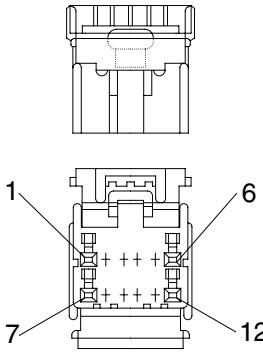
6) AMP ECONOSEAL CONNECTOR

No. of pin	Receptacle connector(Female)	Plug connector(Male)
36	 <p style="text-align: center;">344111-1</p>	 <p style="text-align: center;">344108-1</p>

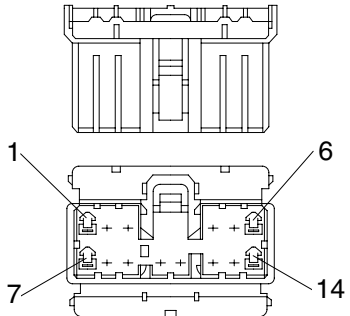
7) AMP TIMER CONNECTOR

No. of pin	Receptacle connector(Female)	Plug connector(Male)
2	 <p style="text-align: center;">85202-1</p>	

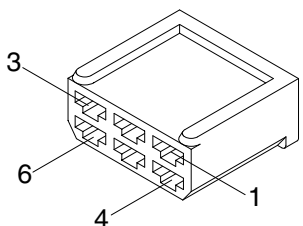
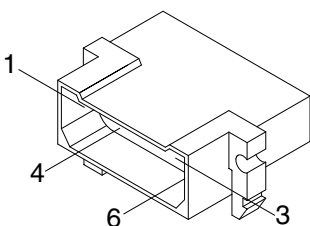
8) AMP 040 MULTILOCK CONNECTOR

No. of pin	Receptacle connector(Female)	Plug connector(Male)
12	 <p style="text-align: right;">174045-2</p>	

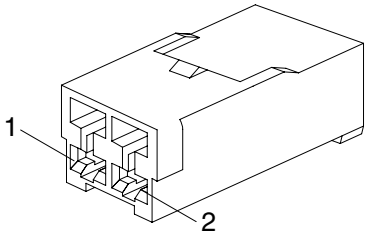
9) AMP 070 MULTILOCK CONNECTOR

No. of pin	Receptacle connector(Female)	Plug connector(Male)
14	 <p style="text-align: right;">173852</p>	

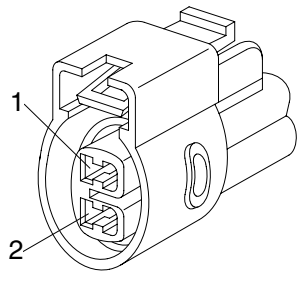
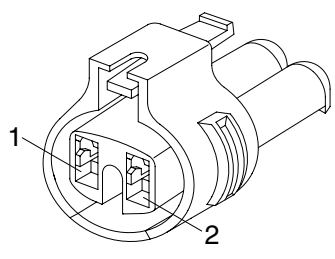
10) AMP FASTIN - FASTON CONNECTOR

No. of pin	Receptacle connector(Female)	Plug connector(Male)
6	 <p style="text-align: right;">925276-0</p>	 <p style="text-align: right;">480003-9</p>

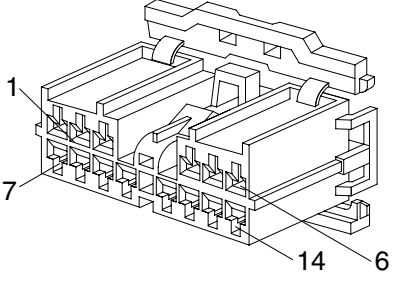
11) KET 090 CONNECTOR

No. of pin	Receptacle connector(Female)	Plug connector(Male)
2	 <p style="text-align: right;">MG610070</p>	

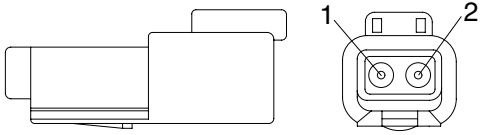
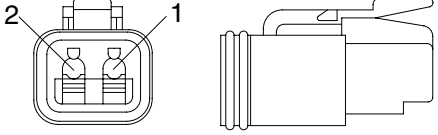
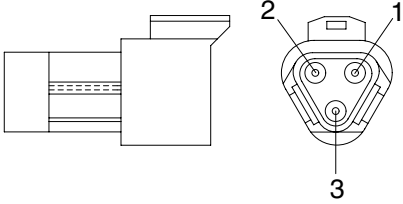
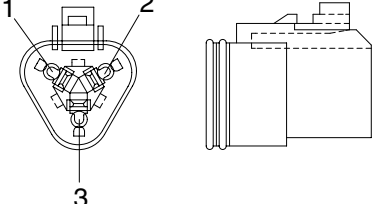
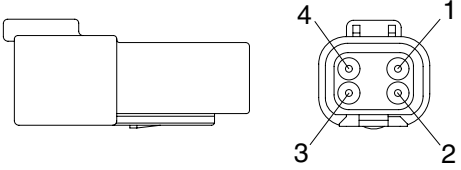
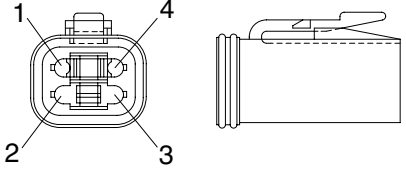
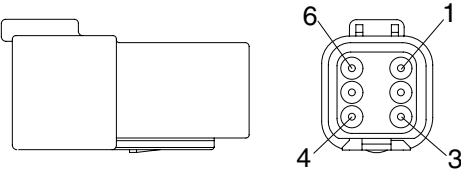
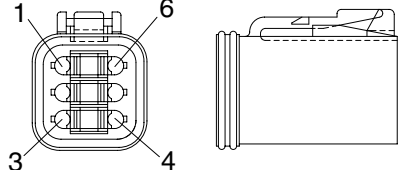
12) KET 090 WP CONNECTORS

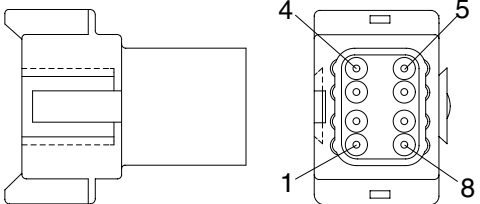
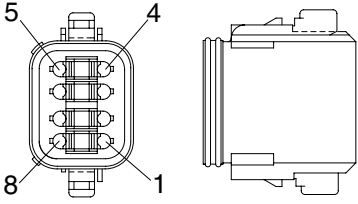
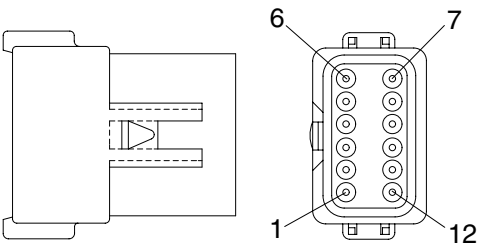
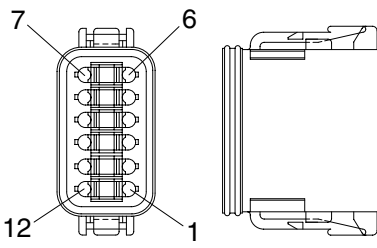
No. of pin	Receptacle connector(Female)	Plug connector(Male)
2	 <p style="text-align: right;">MG640605</p>	
2	 <p style="text-align: right;">MG640795</p>	

12) KET SDL CONNECTOR

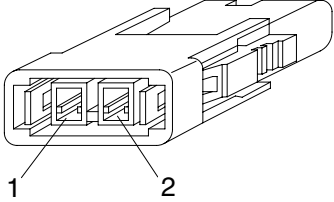
No. of pin	Receptacle connector(Female)	Plug connector(Male)
14	 <p data-bbox="715 678 837 705">MG610406</p>	

13) DEUTSCH DT CONNECTORS

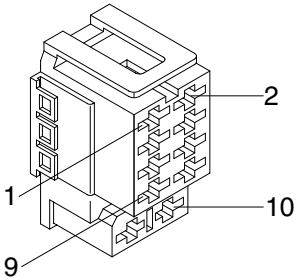
No. of pin	Receptacle connector(Female)	Plug connector(Male)
2	 <p style="text-align: center;">DT06-2S</p>	 <p style="text-align: center;">DT06-2P</p>
3	 <p style="text-align: center;">DT06-3S</p>	 <p style="text-align: center;">DT06-3P</p>
4	 <p style="text-align: center;">DT06-4S</p>	 <p style="text-align: center;">DT06-4P</p>
6	 <p style="text-align: center;">DT06-6S</p>	 <p style="text-align: center;">DT06-6P</p>

No. of pin	Receptacle connector(Female)	Plug connector(Male)
8	 <p style="text-align: right;">DT06-8S</p>	 <p style="text-align: right;">DT06-8P</p>
12	 <p style="text-align: right;">DT06-12S</p>	 <p style="text-align: right;">DT06-12P</p>

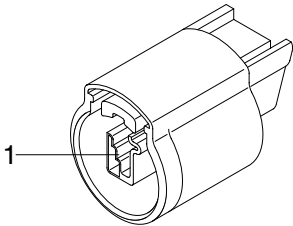
14) MOLEX 2CKTS CONNECTOR

No. of pin	Receptacle connector(Female)	Plug connector(Male)
2	 <p style="text-align: right;">35215-0200</p>	

15) ITT SWF CONNECTOR

No. of pin	Receptacle connector(Female)	Plug connector(Male)
10	 <p style="text-align: right;">SWF593757</p>	

16) MWP NMWP CONNECTOR

No. of pin	Receptacle connector(Female)	Plug connector(Male)
1	 <p style="text-align: right;">NMWP01F-B</p>	