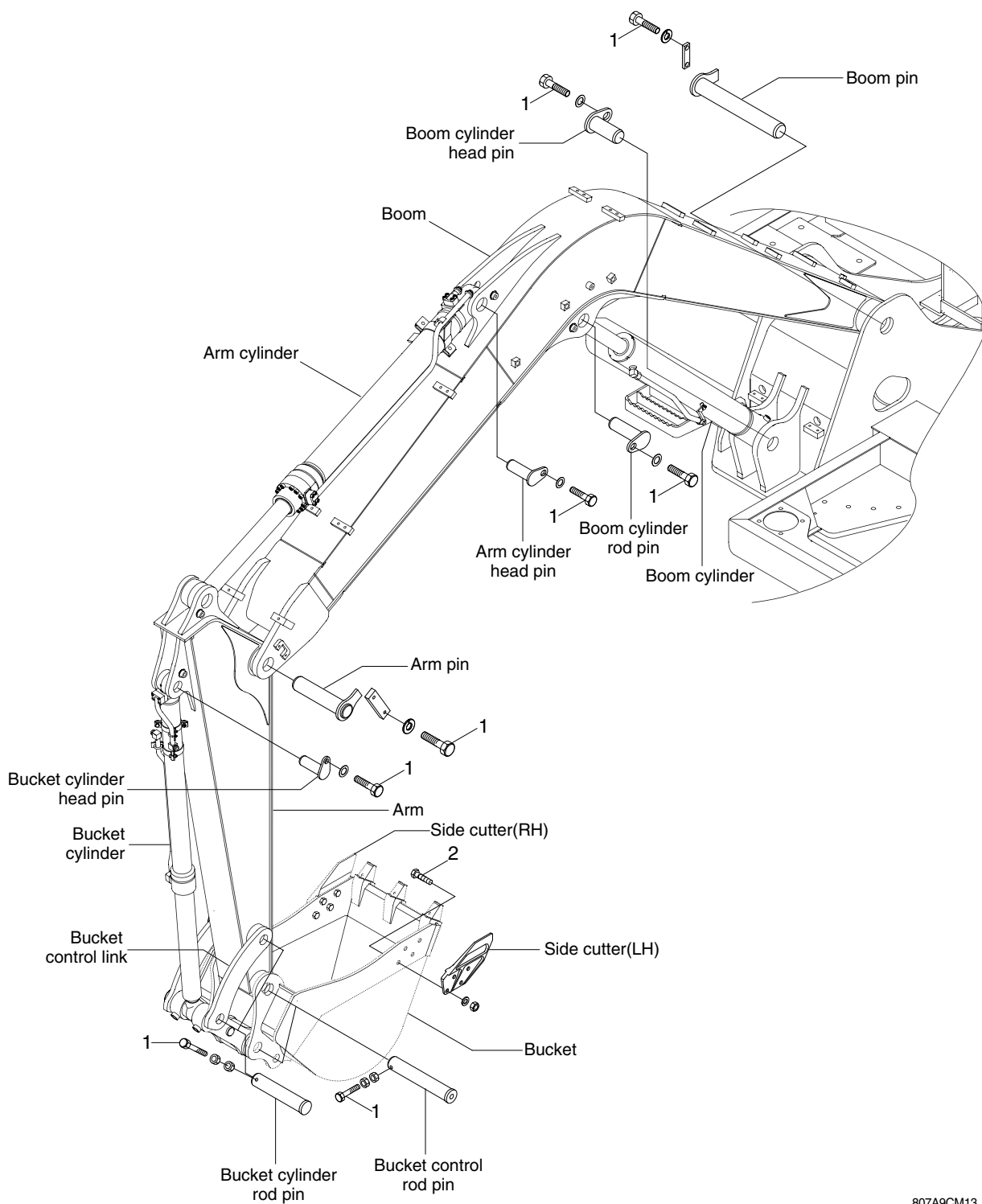


# GROUP 7 WORK EQUIPMENT



807A9CM13

## · Tightening torque

Item	Size	kgf · m	lbf · ft
1	M12×1.75	12.8±3.0	92.6±21.7

Item	Size	kgf · m	lbf · ft
2	M20×2.5	57.9±8.7	419±62.9