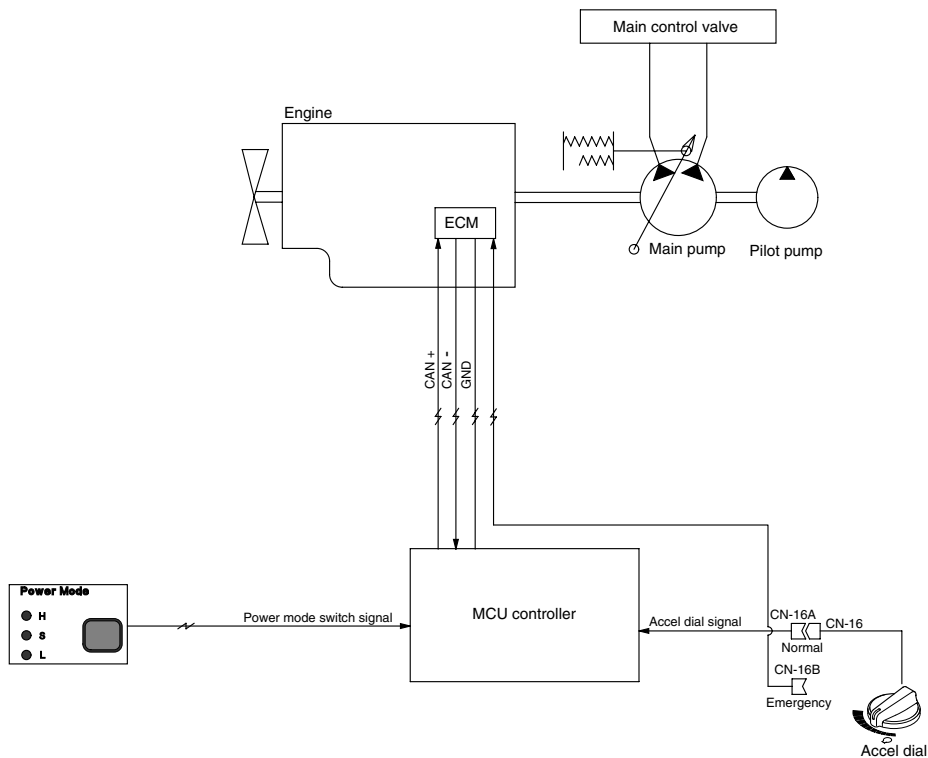


## GROUP 2 MODE SELECTION SYSTEM

### 1. POWER MODE SELECTION SYSTEM



807A5MS03

Mode selection system(Micro computer based engine mutual control system) optimizes the engine performance.

The combination of 3 power modes(H, S, L) and accel dial position(10 set) makes it possible to use the engine power more effectively corresponding to the work conditions from a heavy and great power requesting work to a light and precise work.

Mode	Application	Power set (%)	Engine rpm
H	High power	100	2200±50
S	Standard power	85	2050±50
L	Light power	70	1900±50
One touch decel	Engine quick deceleration	-	1200±100
KEY START	Key switch start position	-	950±100