

## GROUP 4 CONNECTORS

### 1. CONNECTOR DESTINATION

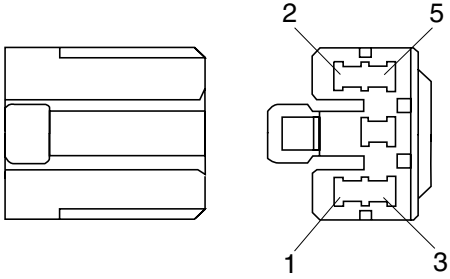
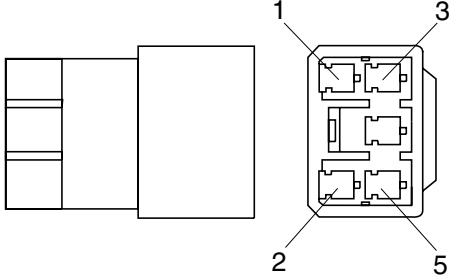
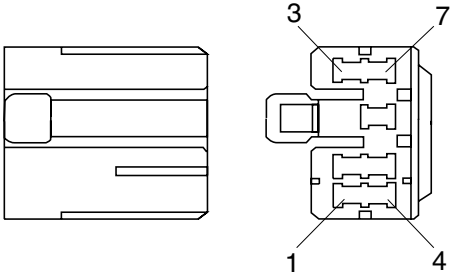
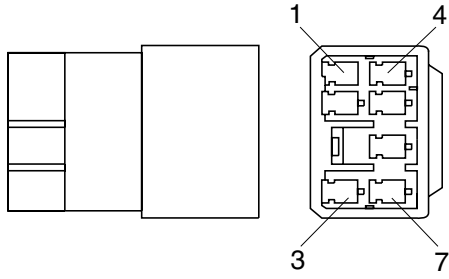
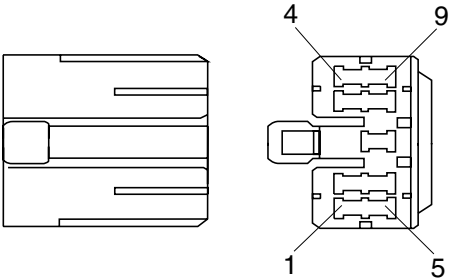
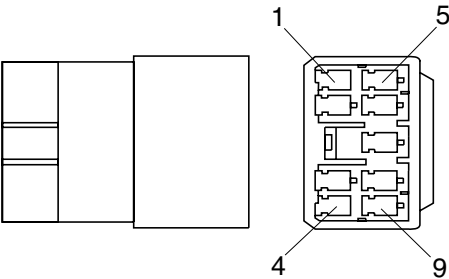
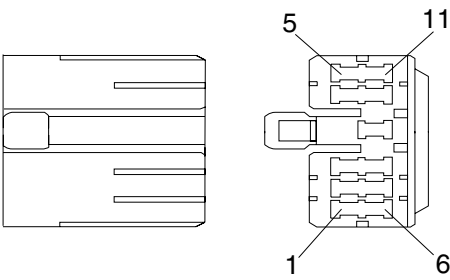
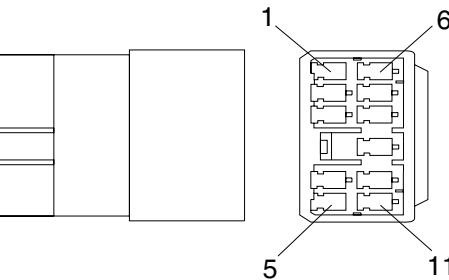
Connector number	Type	No. of pin	Destination	Connector part No.	
				Female	Male
CN-2	AMP	15	Engine harness	2-85262-1	368301-1
CN-3	AMP	15	Engine harness	2-85262-1	368301-1
CN-4	AMP	8	LH console wire harness	S816-008002	S816-108002
CN-5	AMP	15	RH side harness	2-85262-1	368301-1
CN-6	AMP	12	RH side harness	S816-012002	S816-112002
CN-7	AMP	15	RH console wire harness	2-85262-1	368301-1
CN-8	AMP	12	RH console wire harness	S816-012002	S816-112002
CN-9	AMP	8	RH console wire harness	S816-008002	S816-108002
CN-10	DEUTSCH	12	Cab harness	DT06-12S	DT04-12P
CN-11	DEUTSCH	8	LH console wire harness	DT06-8S	-
CN-12	KET	2	Work lamp harness	MG640188-4	MG610574
CN-16	AMP	6	Emergency engine speed control	S816-006002	21NB-10710
CN-17	DEUTSCH	8	Wipe harness	DT06-8S	DT04-8P
CN-20	MOLEX	2	Horn	PB625-02027	-
CN-21	AMP	6	Wiper motor	925276-0	-
CN-22	-	2	Washer tank	MG640605	-
CN-23	KET	2	LH speaker	MG610070	7322-1520
CN-24	KET	2	RH speaker	MG610070	7322-1520
CN-25	MOLEX	2	Horn	36825-0211	-
CN-27	AMP	14	Cassette radio	173852	AMP14P
CN-28	-	1	Air-con comp	MWP-01F-B	-
CN-29	KET	2	Receiver dryer	PB625-02027	-
CN-36	-	3	Fuse box	21L7-0025	-
CN-45	RING TERM	1	Starter	ST710226-2	-
CN-48	KET	2	Hour meter	GP890469	-
CN-50	AMP	36	MCU	3441111-1	-
CN-51	AMP	36	MCU	344106-1	-
CN-55	AMP	2	Travel alarm pressure switch	S816-002002	S816-102002
CN-56	DEUTSCH	4	Cluster	-	DT04-4P-E004
CN-60	-	2	Fusible link	-	7122-4125-50
CN-61	KET & AMP	2	Fuel filler pump	170003-4	ST710287-2
CN-66	DEUTSCH	2	Breaker solenoid valve	DT06-2S-EP06	DT04-2P-E004
CN-68	DEUTSCH	2	Safety solenoid valve	DT06-2S-EP06	-
CN-70	DEUTSCH	2	Travel speed solenoid valve	DT06-2S-EP06	-
CN-74	KET	2	Alternator	MG640188-4	-
CN-80	RING TERM	1	Air-heat	ST710285-2	-
CN-81	DEUTSCH	2	Travel buzzer	DT06-2S-EP06	DP04-2P-E004
CN-83	KET	4	AC Fan	PB625-02027	-

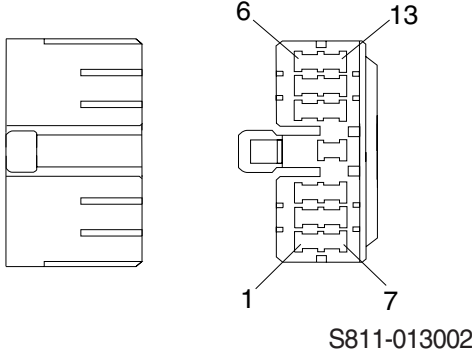
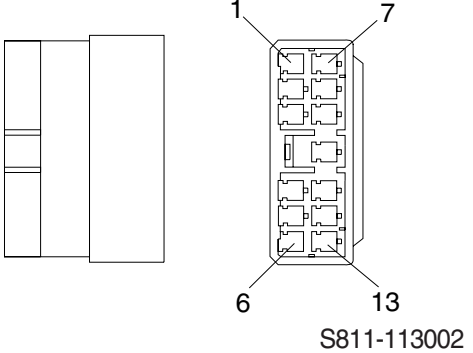
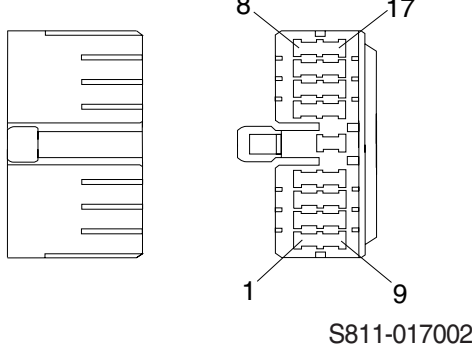
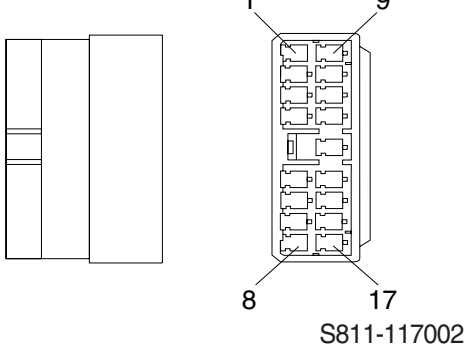
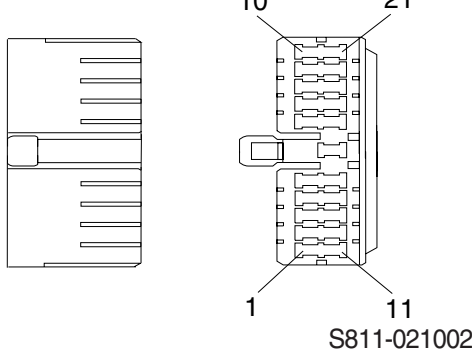
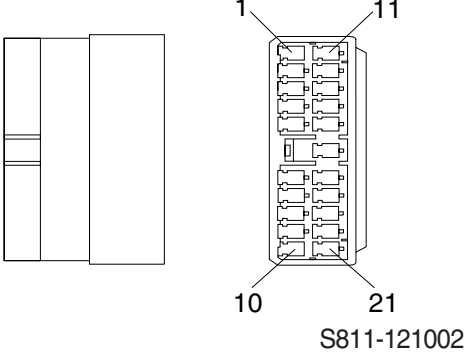
Connector number	Type	No. of pin	Destination	Connector part No.	
				Female	Male
CN-92	AMP	1	Safety	S814-101100	S814-001100
CN-93	FCI	48	ECU	PP1000443	-
CN-95	KET	2	Fusible link	-	S813-130200
CN-116	-	17	Switch panel	S811-017002	-
CN-125	-	4	GPS	S816-004002	S816-104002
CN-126	DEUTSCH	4	RS232C connector	DT04-4S-E005	DT04-4P-E004
CN-138	DEUTSCH	3	DC/DC converter	DT06-3S	DT04-3P
CN-139	DEUTSCH	2	12V Socket	-	DT04-2P-E004
CN-140	DEUTSCH	2	Quick coupling	DT06-2S-EP06	DT04-2P-E004
CN-141	AMP	13	Wiper motor control unit	172498-1	-
CN-142	DEUTSCH	3	Accel dial	DT06-3S-P012	-
CN-143	KET	14	Cassette radio	MG610406	-
CN-144	AMP	12	Remocon	174045-2	-
CN-145	-	2	Fuel feed pump	7123-6423-30	-
CN-148	DEUTSCH	6	J1939 connector	DT06-6S-EP06	DT04-6P-E004
CN-193	-		EGR stop motor	6195-0021	-
CN-194	-		Rack actuator	7283-8850-30	-
RELAY					
CR-1	RING TERM	1	Battery relay	S820-104002	-
CR-3	-	4	Work lamp relay	S820-104000	-
CR-23	KET	2	Start relay	S814-002100	-
CR-24	KET	1	Pre-heater relay	S814-002100	-
CR-43	-	4	Engine stop relay	S810-004202	-
SWITCH					
CS-1	CB104	1	Door switch	S822-014004	-
CS-2	-	6	Start key switch	S814-006000	-
CS-4	DEUTSCH	6	Safety switch	DT06-3S-P012	-
CS-5	DEUTSCH	2	Horn switch	-	DT04-2P-E004
CS-19	DEUTSCH	2	One touch decel	DT06-2S	DT04-2P-E004
CS-20	AMP	1	Safety switch	S822-014002	-
CS-21	SWF	10	Main light switch	SWF593757	-
CS-23	SWF	10	Beacon lamp switch	SWF593757	-
CS-24	SWF	10	Overload switch	SWF593757	-
CS-26	DEUTSCH	2	Breaker switch	SWF593757	-
CS-27	SWF	10	Breaker switch	SWF593757	-
CS-29	DEUTSCH	2	Power max	DT06-2S-P012	-
CS-50	SWF	10	Overload switch	SWF593757	-
CS-52	SWF	10	Econo switch	SWF593757	-
CS-53	AMP	1	Wiper cut switch	S822-014002	-
CS-54	SWF	10	Travel alarm	SWF593757	-
CS-67	SWF	10	Quick coupling switch	SWF593757	-

Connector number	Type	No. of pin	Destination	Connector part No.	
				Female	Male
CS-74	-	2	Master switch	S813-030200	-
CS-82	SWF	10	Seat heater	SWF593757	-
CS-84	SWF	10	Fuel warmer	SWF593757	-
LAMP					
CL-1	KET	2	Cab room lamp	MG610392	-
CL-2	AMP	3	Cigar light	S810-003202	-
CL-4	KET	2	Head lamp	S814-00200	-
CL-5	DEUTSCH	2	Work lamp-LH	-	DT04-2P-E004
CL-6	DEUTSCH	2	Work lamp-RH	-	DT04-2P-E004
CL-7	CB104	1	Beacon lamp	S822-014004	-
CL-8	DEUTSCH	2	LH cabin light	DT04-2S	DT04-2P-E005
CL-9	DEUTSCH	2	RH cabin light	DT04-2S	DT04-2P-E005
SENDER					
CD-1	AMP	2	Hydraulic Temp sender	85202-1	-
CD-2	AMP	2	Fuel sender	-	S816-102002
CD-8	AMP	2	Water temp sender	1-178390-2	-
CD-10	RING TERM	1	Air cleaner switch	GP890469	-
CD-11	KET	2	Travel alarm pressure switch	MG640795	-
CD-12	KET	2	Travel alarm pressure switch	MG640795	-
CD-13	KET	2	Travel alarm pressure switch	MG640795	-
CD-14	KET	2	Travel alarm pressure switch	MG640795	-
CD-17	-	2	Tacho sensor	6189-0552	-
CD-18	RING TERM	1	Engine oil pressure switch	171809-2	-
CD-31	DEUTSCH	2	Overload pressure switch	DT06-2S-EP06	DT04-2P-E004
CD-62	-	1	CSD	7323-7414-40	-

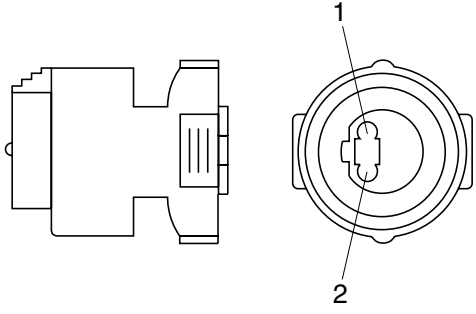
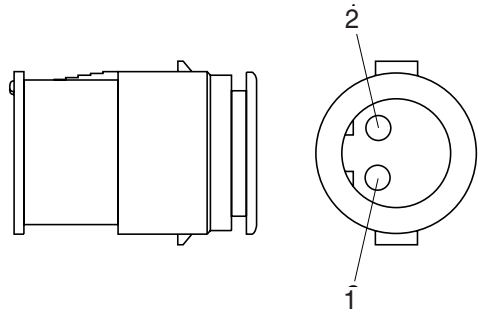
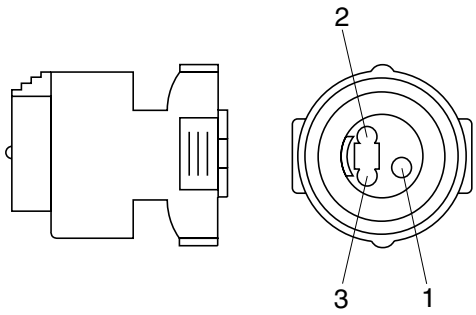
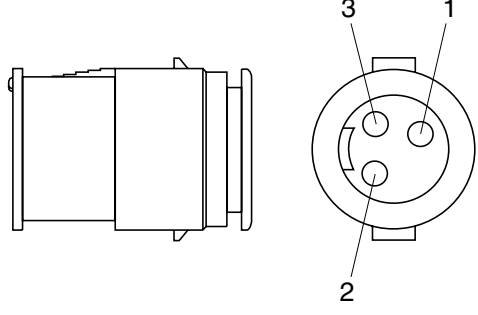
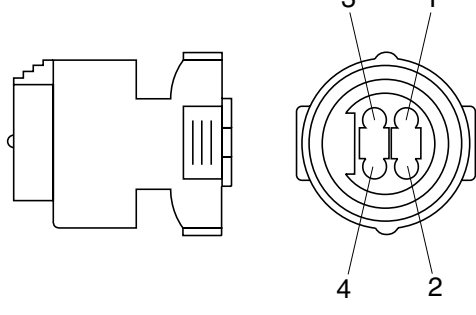
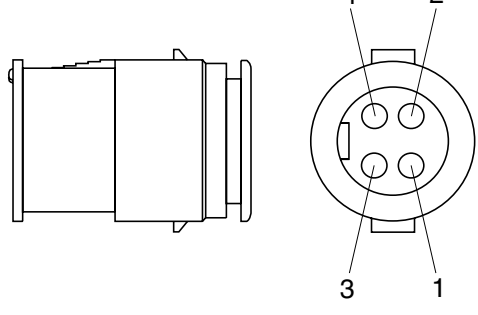
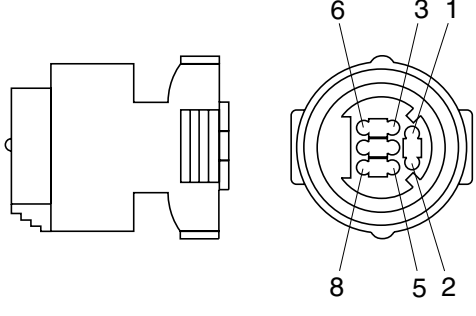
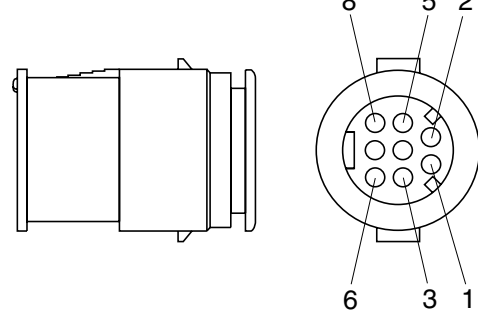
## 2. CONNECTION TABLE FOR CONNECTORS

### 1) PA TYPE CONNECTOR

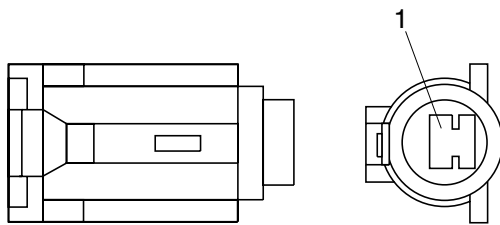
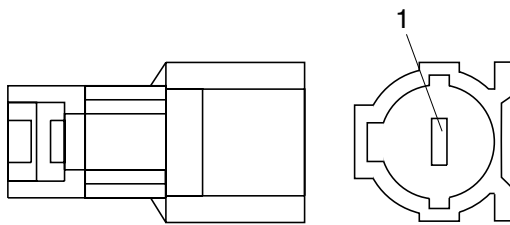
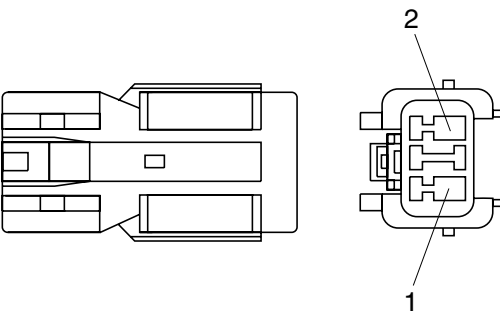
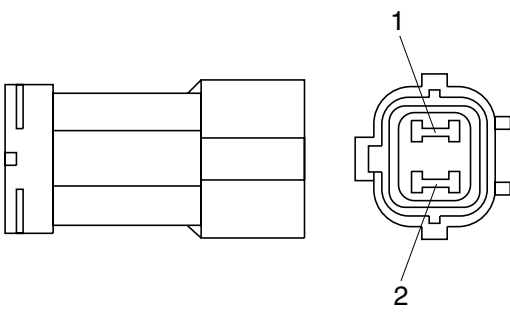
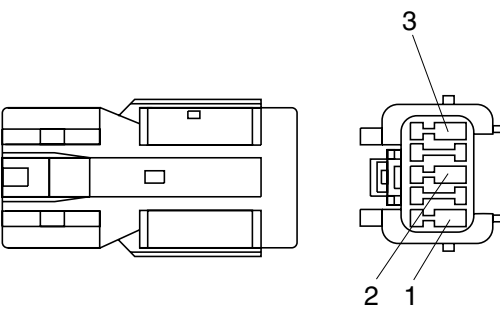
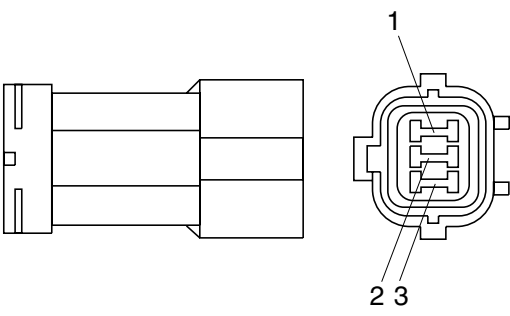
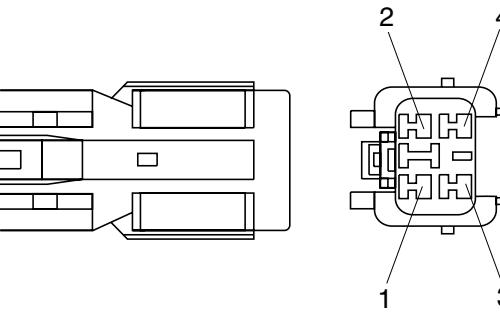
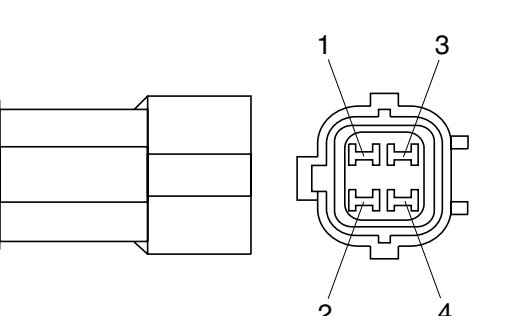
No. of pin	Receptacle connector(Female)	Plug connector(Male)
5	 <p style="text-align: center;">S811-005002</p>	 <p style="text-align: center;">S811-105002</p>
7	 <p style="text-align: center;">S811-007002</p>	 <p style="text-align: center;">S811-107002</p>
9	 <p style="text-align: center;">S811-009002</p>	 <p style="text-align: center;">3S811-109002</p>
11	 <p style="text-align: center;">S811-011002</p>	 <p style="text-align: center;">S811-111002</p>

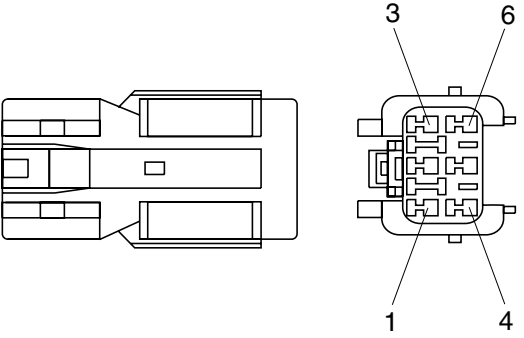
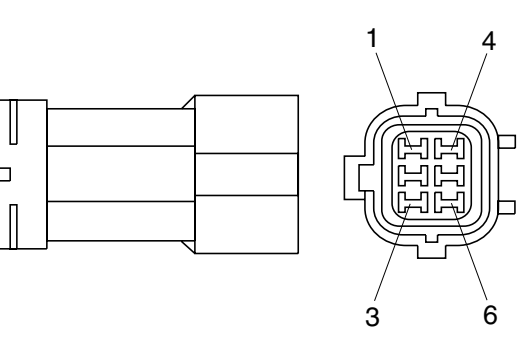
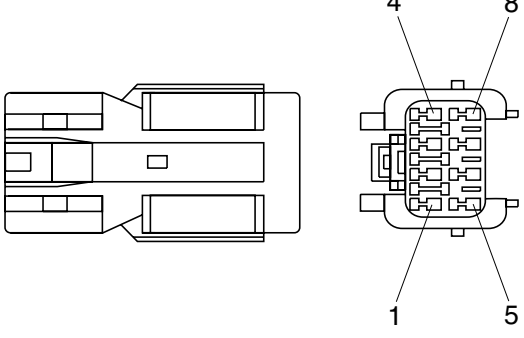
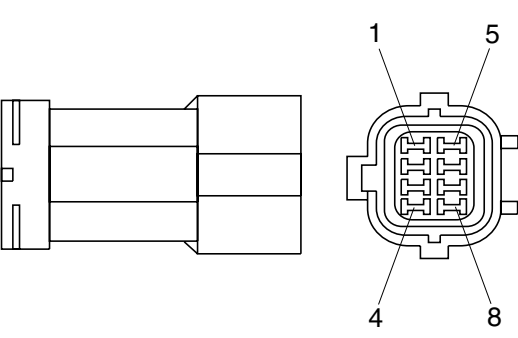
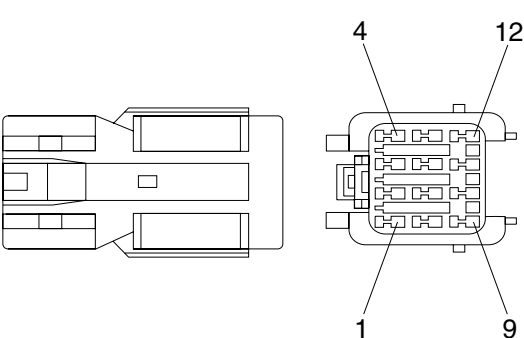
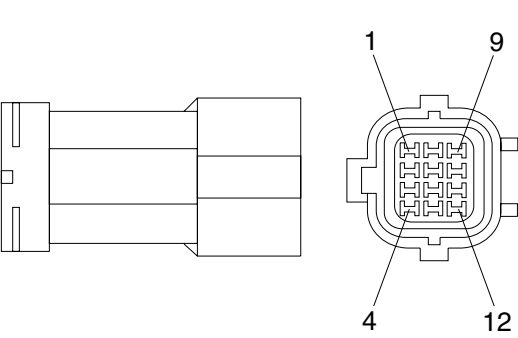
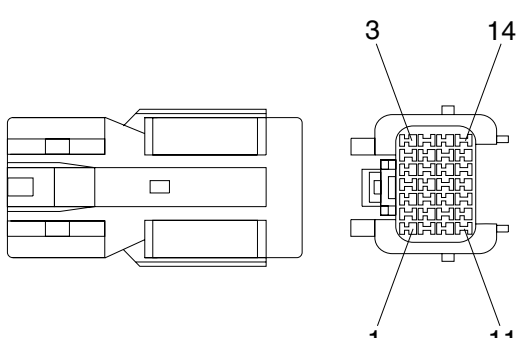
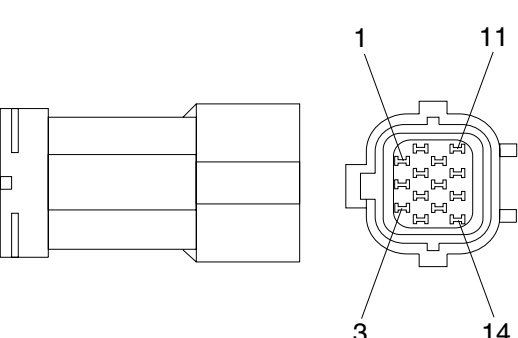
No. of pin	Receptacle connector(Female)	Plug connector(Male)
13	 <p style="text-align: center;">S811-013002</p>	 <p style="text-align: center;">S811-113002</p>
17	 <p style="text-align: center;">S811-017002</p>	 <p style="text-align: center;">S811-117002</p>
21	 <p style="text-align: center;">S811-021002</p>	 <p style="text-align: center;">S811-121002</p>

## 2) J TYPE CONNECTOR

No. of pin	Receptacle connector(Female)	Plug connector(Male)
2	 <p data-bbox="686 672 837 705">S816-002001</p>	 <p data-bbox="1236 672 1388 705">S816-102001</p>
3	 <p data-bbox="686 1081 837 1115">S816-003001</p>	 <p data-bbox="1236 1081 1388 1115">S816-103001</p>
4	 <p data-bbox="686 1491 837 1525">S816-004001</p>	 <p data-bbox="1236 1491 1388 1525">S816-104001</p>
8	 <p data-bbox="686 1901 837 1935">S816-008001</p>	 <p data-bbox="1236 1901 1388 1935">S816-108001</p>

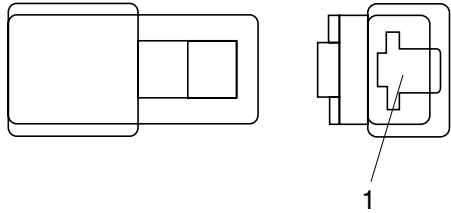
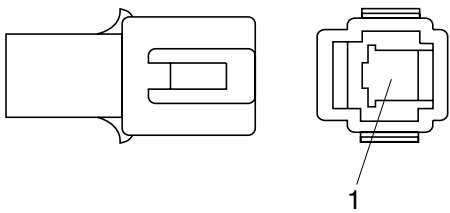
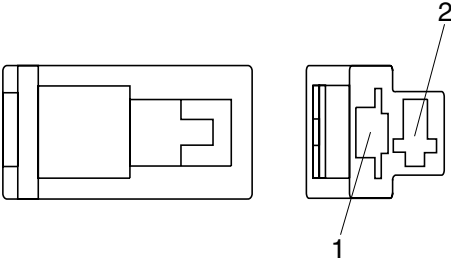
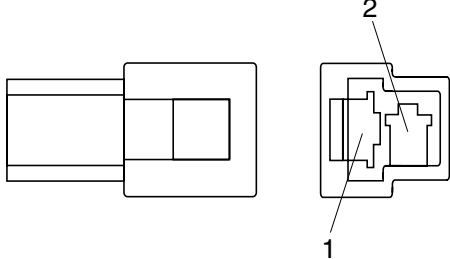
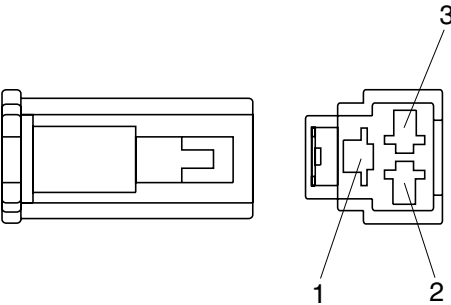
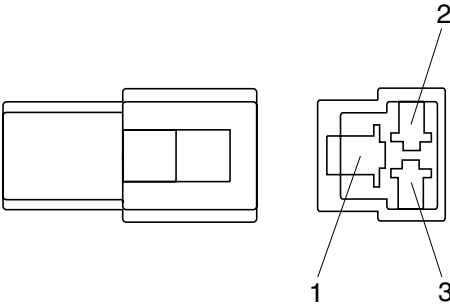
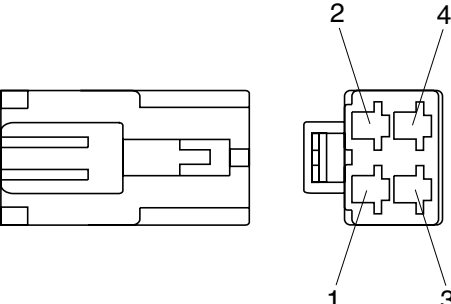
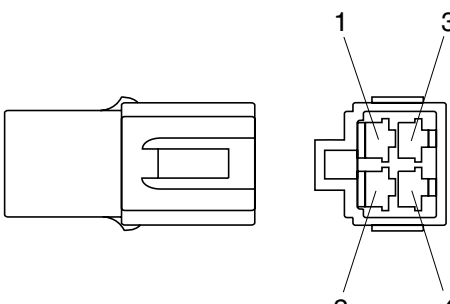
### 3) SWP TYPE CONNECTOR

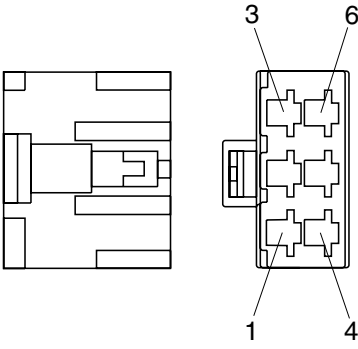
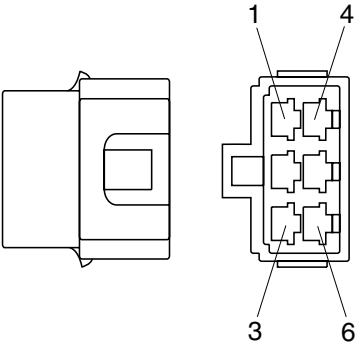
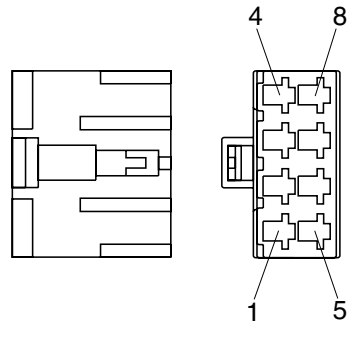
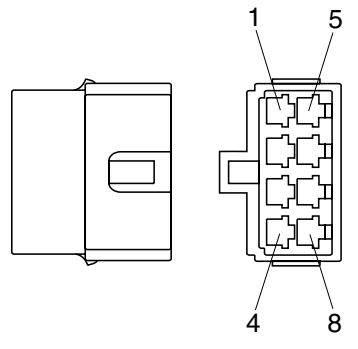
No. of pin	Receptacle connector(Female)	Plug connector(Male)
1	 <p data-bbox="686 672 837 705">S814-001000</p>	 <p data-bbox="1244 672 1396 705">S814-101000</p>
2	 <p data-bbox="686 1075 837 1108">S814-002000</p>	 <p data-bbox="1244 1075 1396 1108">S814-102000</p>
3	 <p data-bbox="686 1478 837 1512">S814-003000</p>	 <p data-bbox="1244 1478 1396 1512">S814-103000</p>
4	 <p data-bbox="686 1881 837 1915">S814-004000</p>	 <p data-bbox="1244 1881 1396 1915">S814-104000</p>

No. of pin	Receptacle connector(Female)	Plug connector(Male)
6	 <p data-bbox="686 627 837 660">S814-006000</p>	 <p data-bbox="1244 627 1396 660">S814-106000</p>
8	 <p data-bbox="686 1041 837 1075">S814-008000</p>	 <p data-bbox="1244 1041 1396 1075">S814-108000</p>
12	 <p data-bbox="686 1444 837 1478">S814-012000</p>	 <p data-bbox="1244 1444 1396 1478">S814-112000</p>
14	 <p data-bbox="686 1848 837 1881">S814-014000</p>	 <p data-bbox="1244 1848 1396 1881">S814-114000</p>

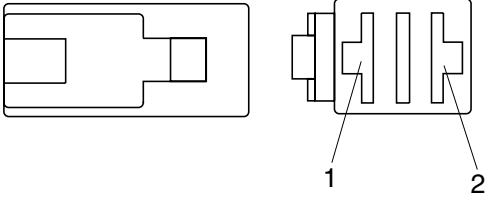
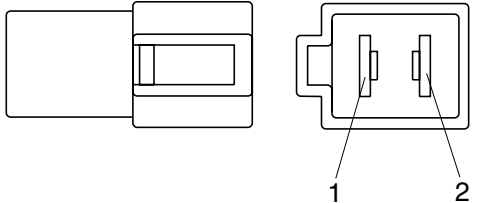


#### 4) CN TYPE CONNECTOR

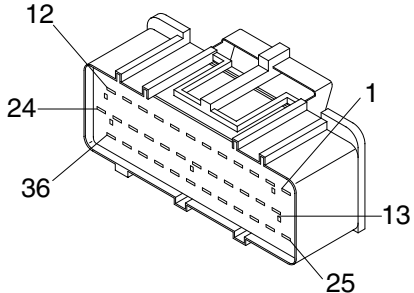
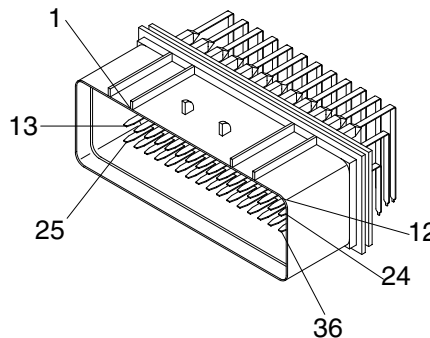
No. of pin	Receptacle connector(Female)	Plug connector(Male)
1	 <p style="text-align: center;">S810-001202</p>	 <p style="text-align: center;">S810-101202</p>
2	 <p style="text-align: center;">S810-002202</p>	 <p style="text-align: center;">S810-102202</p>
3	 <p style="text-align: center;">S810-003202</p>	 <p style="text-align: center;">S810-103202</p>
4	 <p style="text-align: center;">S810-004202</p>	 <p style="text-align: center;">S810-104202</p>

No. of pin	Receptacle connector(Female)	Plug connector(Male)
6	 <p style="text-align: center;">S810-006202</p>	 <p style="text-align: center;">S810-106202</p>
8	 <p style="text-align: center;">S810-008202</p>	 <p style="text-align: center;">S810-108202</p>

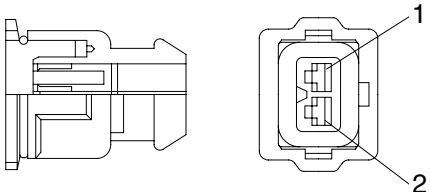
### 5) 375 FASTEN TYPE CONNECTOR

No. of pin	Receptacle connector(Female)	Plug connector(Male)
2	 <p style="text-align: center;">S810-002402</p>	 <p style="text-align: center;">S810-102402</p>

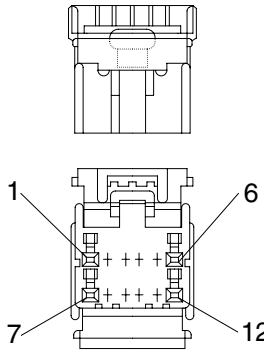
### 6) AMP ECONOSEAL CONNECTOR

No. of pin	Receptacle connector(Female)	Plug connector(Male)
36	 <p style="text-align: center;">344111-1</p>	 <p style="text-align: center;">344108-1</p>

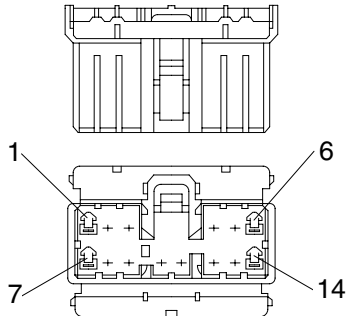
### 7) AMP TIMER CONNECTOR

No. of pin	Receptacle connector(Female)	Plug connector(Male)
2	 <p style="text-align: center;">85202-1</p>	

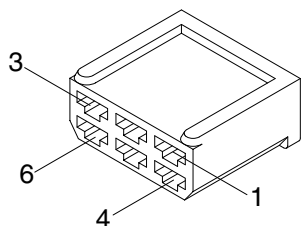
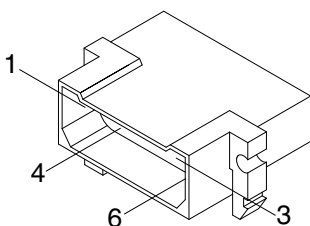
### 8) AMP 040 MULTILOCK CONNECTOR

No. of pin	Receptacle connector(Female)	Plug connector(Male)
12	 <p>174045-2</p>	

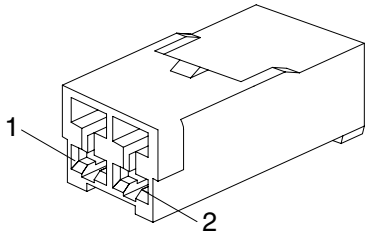
### 9) AMP 070 MULTILOCK CONNECTOR

No. of pin	Receptacle connector(Female)	Plug connector(Male)
14	 <p>173852</p>	

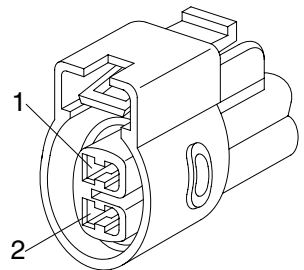
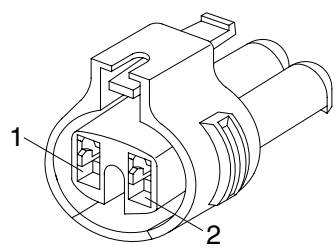
### 10) AMP FASTIN - FASTON CONNECTOR

No. of pin	Receptacle connector(Female)	Plug connector(Male)
6	 <p>925276-0</p>	 <p>480003-9</p>

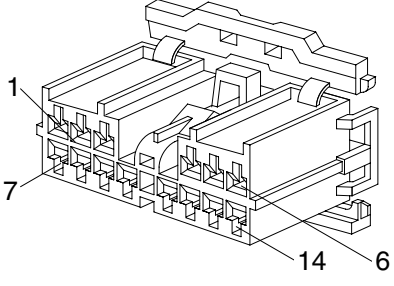
### 11) KET 090 CONNECTOR

No. of pin	Receptacle connector(Female)	Plug connector(Male)
2	 <p style="text-align: right;">MG610070</p>	

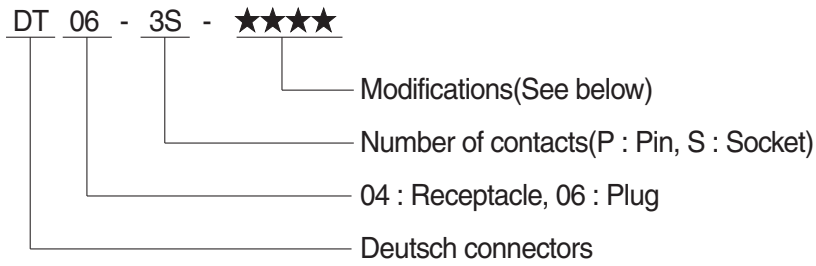
### 12) KET 090 WP CONNECTORS

No. of pin	Receptacle connector(Female)	Plug connector(Male)
2	 <p style="text-align: right;">MG640605</p>	
2	 <p style="text-align: right;">MG640795</p>	

## 12) KET SDL CONNECTOR

No. of pin	Receptacle connector(Female)	Plug connector(Male)
14	 <p data-bbox="715 676 837 705">MG610406</p>	

### 13) DEUTSCH DT CONNECTORS



※ Modification

E003 : Standard end cap - gray

E004 : Color of connector to be black

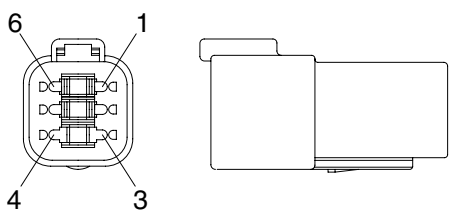
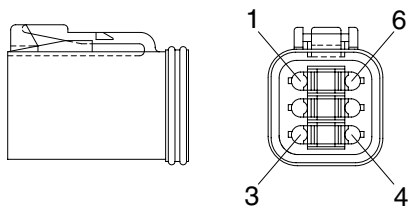
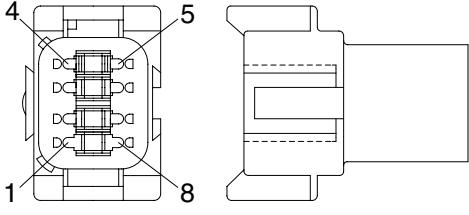
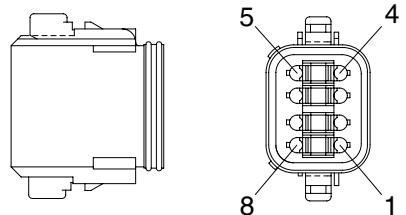
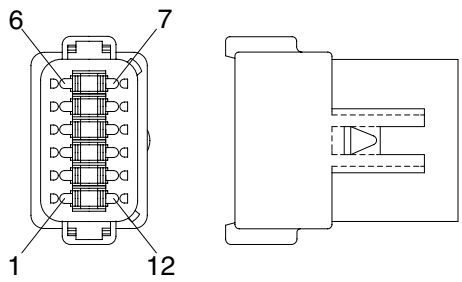
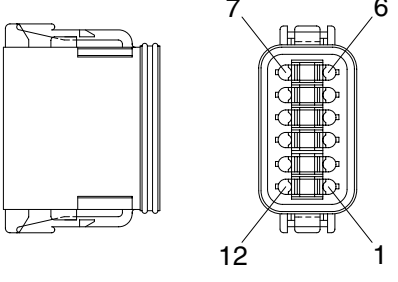
E005 : Combination - E004 & E003

EP04 : End cap

EP06 : Combination P012 & EP04

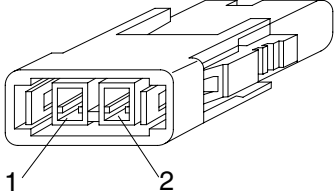
P012 : Front seal enhancement - connectors color to black for 2, 3, 4 & 6pin

No. of pin	Receptacle connector(Female)	Plug connector(Male)
2	<p style="text-align: right;">DT06-2S</p>	<p style="text-align: right;">DT04-2P</p>
3	<p style="text-align: right;">DT06-3S</p>	<p style="text-align: right;">DT04-3P</p>
4	<p style="text-align: right;">DT06-4S</p>	<p style="text-align: right;">DT04-4P</p>

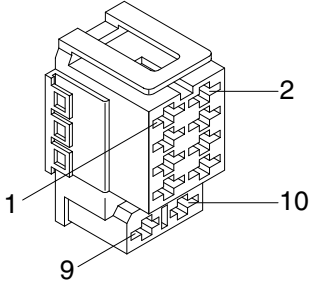
No. of pin	Receptacle connector(Female)	Plug connector(Male)
6	 <p style="text-align: right;">DT06-6S</p>	 <p style="text-align: right;">DT04-6P</p>
8	 <p style="text-align: right;">DT06-8S</p>	 <p style="text-align: right;">DT04-8P</p>
12	 <p style="text-align: right;">DT06-12S</p>	 <p style="text-align: right;">DT04-12P</p>



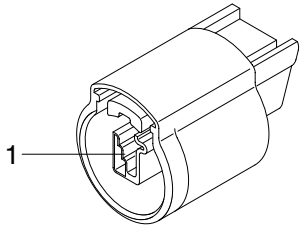
**14) MOLEX 2CKTS CONNECTOR**

No. of pin	Receptacle connector(Female)	Plug connector(Male)
2	 <p data-bbox="703 674 839 703">35215-0200</p>	

**15) ITT SWF CONNECTOR**

No. of pin	Receptacle connector(Female)	Plug connector(Male)
10	 <p data-bbox="699 1279 839 1308">SWF593757</p>	

**16) MWP NMWP CONNECTOR**

No. of pin	Receptacle connector(Female)	Plug connector(Male)
1	 <p data-bbox="691 1883 839 1912">NMWP01F-B</p>	