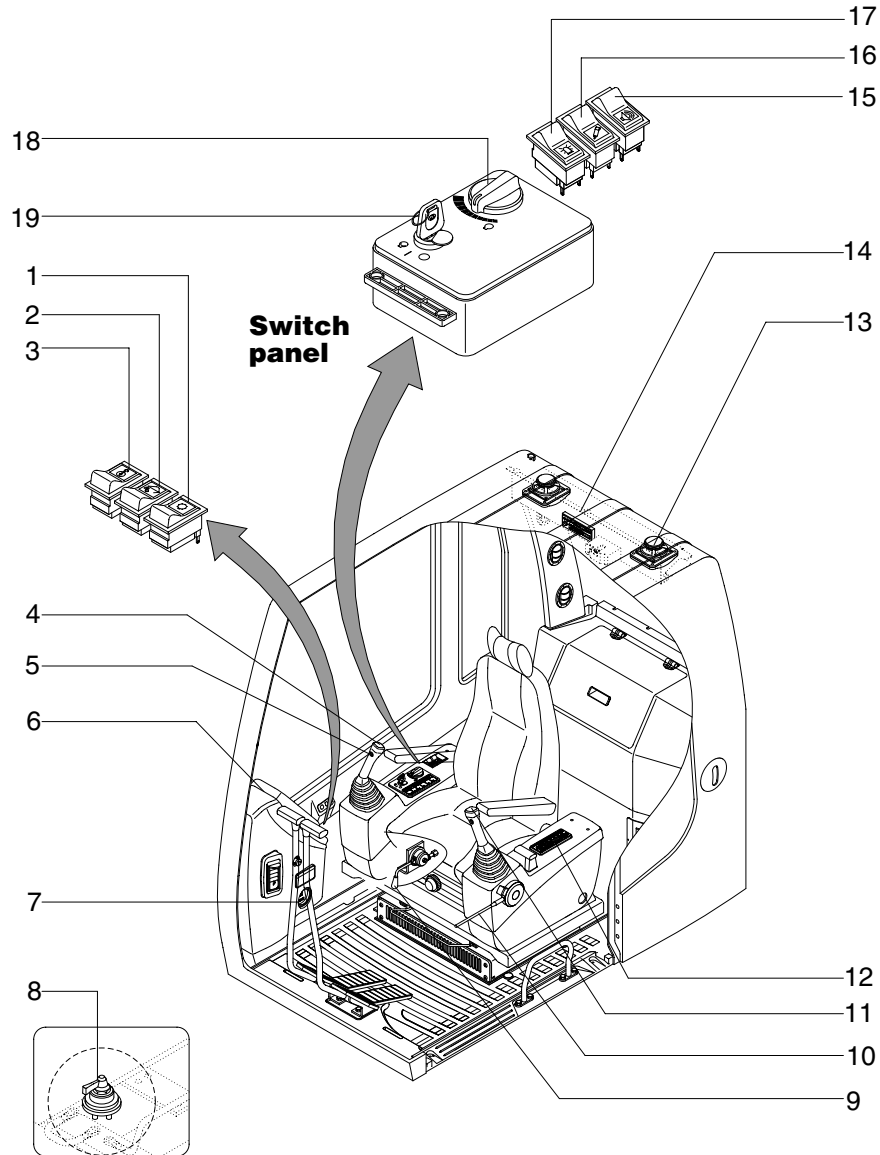


SECTION 4 ELECTRICAL SYSTEM

GROUP 1 COMPONENT LOCATION

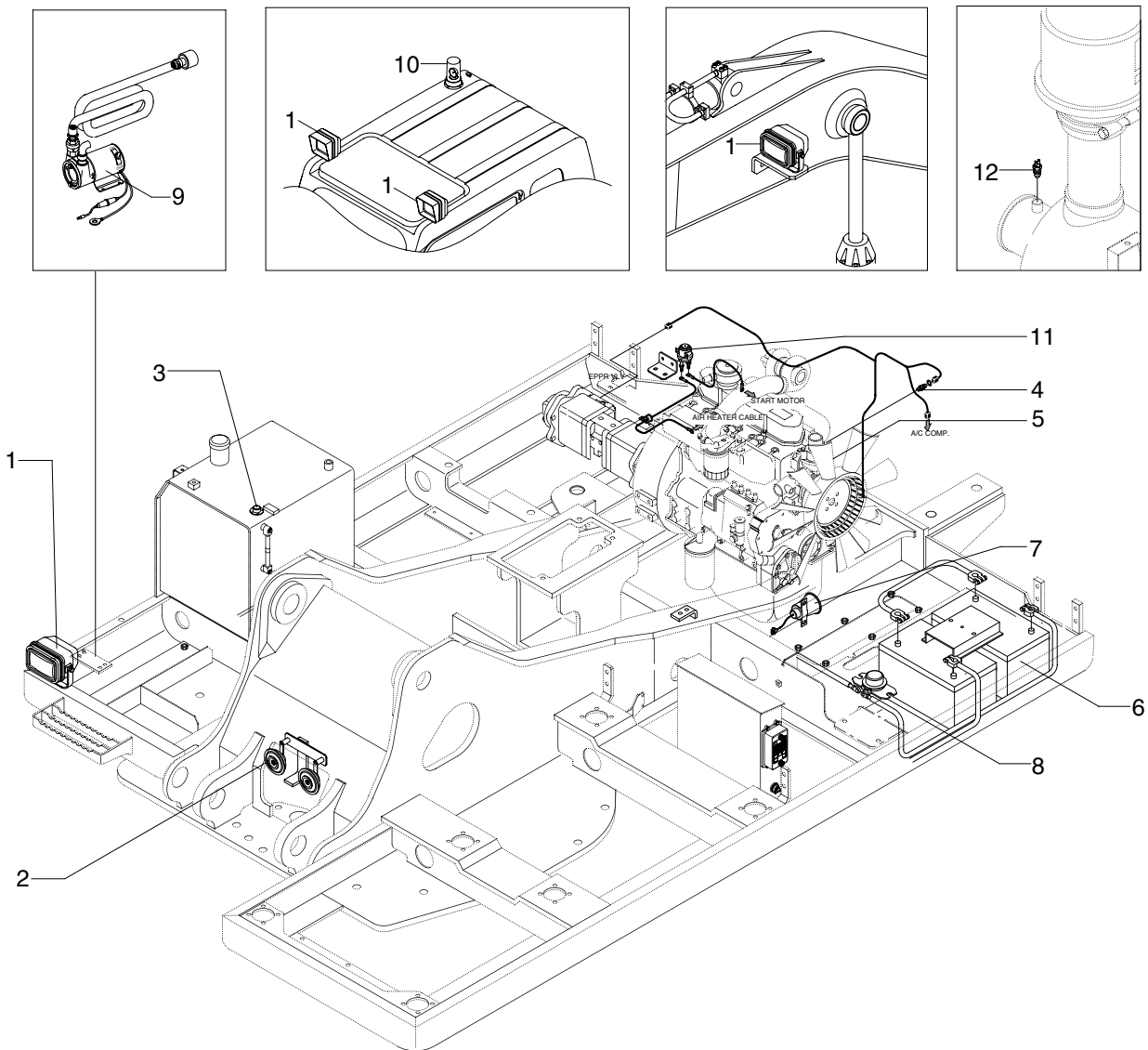
1. LOCATION 1



7074EL01

- | | | | | | |
|---|--------------------------|----|-------------------------------------|----|--------------------------|
| 1 | Main light switch | 8 | Master switch | 14 | Cassette radio |
| 2 | Quick coupling switch | 9 | Emergency engine acceleration lever | 15 | Travel alarm stop switch |
| 3 | Overload switch | 10 | Safety lever | 16 | Breaker selection switch |
| 4 | Horn switch | 11 | One touch decel switch | 17 | Beacon switch |
| 5 | Breaker operation switch | 12 | Air-con switch | 18 | Accel dial |
| 6 | Cluster | 13 | Speaker | 19 | Start switch |
| 7 | Hour meter | | | | |

2. LOCATION 2



11074EL02

- | | | | | | |
|---|--------------------|----|---------------------|----|------------------|
| 1 | Lamp | 7 | Alternator | 13 | Master switch |
| 2 | Beacon lamp | 8 | Travel alarm buzzer | 14 | Fuel filler pump |
| 3 | Heater relay | 9 | Washer pump | 15 | Relays |
| 4 | Start relay | 10 | Horn | 16 | CPU controller |
| 5 | Temp sender | 11 | Battery relay | 17 | Fuel sender |
| 6 | Air cleaner switch | 12 | Battery | | |