

## SECTION 7 DISASSEMBLY AND ASSEMBLY

Group 1 Precaution .....	7-1
Group 2 Tightening Torque .....	7-4
Group 3 Pump Device .....	7-7
Group 4 Main Control Valve .....	7-38
Group 5 Swing Device .....	7-51
Group 6 Travel Device .....	7-72
Group 7 RCV Lever .....	7-100
Group 8 Turning Joint .....	7-114
Group 9 Boom, Arm and Bucket Cylinder .....	7-119
Group 10 Undercarriage .....	7-138
Group 11 Work Equipment .....	7-150

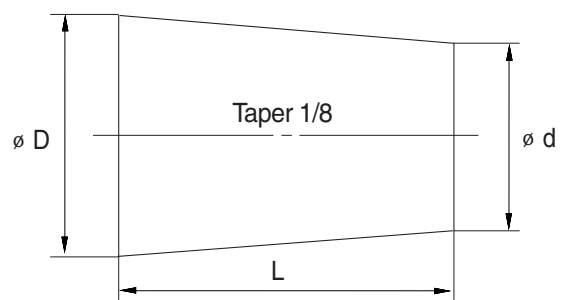
# SECTION 7 DISASSEMBLY AND ASSEMBLY

## GROUP 1 PRECAUTIONS

### 1. REMOVAL WORK

- 1) Lower the work equipment completely to the ground.  
If the coolant contains antifreeze, dispose of it correctly.
- 2) After disconnecting hoses or tubes, cover them or fit blind plugs to prevent dirt or dust from entering.
- 3) When draining oil, prepare a container of adequate size to catch the oil.
- 4) Confirm the match marks showing the installation position, and make match marks in the necessary places before removal to prevent any mistake when assembling.
- 5) To prevent any excessive force from being applied to the wiring, always hold the connectors when disconnecting the connectors.
- 6) Fit wires and hoses with tags to show their installation position to prevent any mistake when installing.
- 7) Check the number and thickness of the shims, and keep in a safe place.
- 8) When raising components, be sure to use lifting equipment of ample strength.
- 9) When using forcing screws to remove any components, tighten the forcing screws alternately.
- 10) Before removing any unit, clean the surrounding area and fit a cover to prevent any dust or dirt from entering after removal.
- 11) When removing hydraulic equipment, first release the remaining pressure inside the hydraulic tank and the hydraulic piping.
- 12) If the part is not under hydraulic pressure, the following corks can be used.

Nominal number	Dimensions		
	D	d	L
06	6	5	8
08	8	6.5	11
10	10	8.5	12
12	12	10	15
14	14	11.5	18
16	16	13.5	20
18	18	15	22
20	20	17	25
22	22	18.5	28
24	24	20	30
27	27	22.5	34



## 2. INSTALL WORK

- 1) Tighten all bolts and nuts(Sleeve nuts) to the specified torque.
- 2) Install the hoses without twisting or interference.
- 3) Replace all gaskets, O-rings, cotter pins, and lock plates with new parts.
- 4) Bend the cotter pin or lock plate securely.
- 5) When coating with adhesive, clean the part and remove all oil and grease, then coat the threaded portion with 2-3 drops of adhesive.
- 6) When coating with gasket sealant, clean the surface and remove all oil and grease, check that there is no dirt or damage, then coat uniformly with gasket sealant.
- 7) Clean all parts, and correct any damage, dents, burrs, or rust.
- 8) Coat rotating parts and sliding parts with engine oil.
- 9) When press fitting parts, coat the surface with antifriction compound(LM-P).
- 10) After installing snap rings, check that the snap ring is fitted securely in the ring groove(Check that the snap ring moves in the direction of rotation).
- 11) When connecting wiring connectors, clean the connector to remove all oil, dirt, or water, then connect securely.
- 12) When using eyebolts, check that there is no deformation or deterioration, and screw them in fully.
- 13) When tightening split flanges, tighten uniformly in turn to prevent excessive tightening on one side.
- 14) When operating the hydraulic cylinders for the first time after repairing and reassembling the hydraulic cylinders, pumps, or other hydraulic equipment or piping, always bleed the air from the hydraulic cylinders as follows:
  - (1) Start the engine and run at low idling.
  - (2) Operate the control lever and actuate the hydraulic cylinder 4-5 times, stopping 100mm before the end of the stroke.
  - (3) Next, operate the piston rod to the end of its stroke to relieve the circuit. (The air bleed valve is actuated to bleed the air.)
  - (4) After completing this operation, raise the engine speed to the normal operating condition.
    - ※ If the hydraulic cylinder has been replaced, carry out this procedure before assembling the rod to the work equipment.
    - ※ Carry out the same operation on machines that have been in storage for a long time after completion of repairs.

### **3. COMPLETING WORK**

- 1) If the coolant has been drained, tighten the drain valve, and add water to the specified level. Run the engine to circulate the water through the system. Then check the water level again.
- 2) If the hydraulic equipment has been removed and installed again, add engine oil to the specified level. Run the engine to circulate the oil through the system. Then check the oil level again.
- 3) If the piping or hydraulic equipment, such as hydraulic cylinders, pumps, or motors, have been removed for repair, always bleed the air from the system after reassembling the parts.
- 4) Add the specified amount of grease(Molybdenum disulphied grease) to the work equipment related parts.



## GROUP 2 TIGHTENING TORQUE

### 1. MAJOR COMPONENTS

No.	Descriptions	Bolt size	Torque		
			kgf · m	lbf · ft	
1	Engine	Engine mounting bolt(Engine-Bracket)	M10 × 1.5	7.0±1.0	50.6±7.2
2		Engine mounting bolt(Bracket-Frame)	M16 × 2.0	25±2.5	181±18.1
3		Radiator mounting bolt, nut	M10 × 1.5	6.9±1.4	50±10.0
4		Coupling mounting bolt	M10 × 1.5	6.0±1.0	43.4±7.2
5	Hydraulic system	Main pump mounting bolt	M12 × 1.75	12.3±3.0	92±22.0
6		Main control valve mounting bolt	M 8 × 1.25	2.5±0.5	18±3.6
7		Fuel tank mounting bolt	M16 × 2.0	29.7±4.5	215±33
8		Hydraulic oil tank mounting bolt	M16 × 2.0	29.7±4.5	215±33
9		Turning joint mounting bolt, nut	M12 × 1.75	12.8±3.0	92±22.0
10	Power train system	Swing motor mounting bolt	M16 × 2.0	29.7±4.5	215±33.0
11		Swing bearing upper mounting bolt	M16 × 2.0	29.7±4.5	215±33.0
12		Swing bearing lower mounting bolt	M16 × 2.0	29.7±4.5	215±33.0
13		Travel motor mounting bolt	M14 × 2.0	20±2.0	145±14.0
14		Sprocket mounting bolt	M14 × 2.0	19.6±2.9	142±21.0
15	Under carriage	Carrier roller mounting bolt, nut	M16 × 2.0	29.6±3.2	214±23.1
16		Track roller mounting bolt	M18 × 2.0	41±5.0	297±36.0
17		Track tension cylinder mounting bolt	M12 × 1.75	12.8±3.0	92±22.0
18		Track shoe mounting bolt, nut	1/2-20UNF	19.5±2.0	141±14.5
19		Track guard mounting bolt	M16 × 2.0	29.6±3.2	214±23.0
20	Others	Counter weight mounting bolt	M20 × 2.5	57.8±6.4	418±46.3
21		Cab mounting bolt, nut	M12 × 1.75	12.8±3.0	92±22.0
22		Operator's seat mounting bolt	M 8 × 1.25	1.17±0.1	8.5±0.7

## 2. TORQUE CHART

Use following table for unspecified torque.

### 1) BOLT AND NUT

#### (1) Coarse thread

Bolt size	8T		10T	
	kg · m	lb · ft	kg · m	lb · ft
M 6 × 1.0	0.85 ~ 1.25	6.15 ~ 9.04	1.14 ~ 1.74	8.2 ~ 12.6
M 8 × 1.25	2.0 ~ 3.0	14.5 ~ 21.7	2.7 ~ 4.1	19.5 ~ 29.7
M10 × 1.5	4.0 ~ 6.0	28.9 ~ 43.4	5.5 ~ 8.3	39.8 ~ 60
M12 × 1.75	7.4 ~ 11.2	53.5 ~ 81.0	9.8 ~ 15.8	70.9 ~ 114
M14 × 2.0	12.2 ~ 16.6	88.2 ~ 120	16.7 ~ 22.5	121 ~ 163
M16 × 2.0	18.6 ~ 25.2	135 ~ 182	25.2 ~ 34.2	182 ~ 247
M18 × 2.5	25.8 ~ 35.0	187 ~ 253	35.1 ~ 47.5	254 ~ 344
M20 × 2.5	36.2 ~ 49.0	262 ~ 354	49.2 ~ 66.6	356 ~ 482
M22 × 2.5	48.3 ~ 63.3	349 ~ 458	65.8 ~ 98.0	476 ~ 709
M24 × 3.0	62.5 ~ 84.5	452 ~ 611	85.0 ~ 115	615 ~ 832
M30 × 3.0	124 ~ 168	898 ~ 1214	169 ~ 229	1223 ~ 1656
M36 × 4.0	174 ~ 236	1261 ~ 1704	250 ~ 310	1808 ~ 2242

#### (2) Fine thread

Bolt size	8T		10T	
	kg · m	lb · ft	kg · m	lb · ft
M 8 × 1.0	2.2 ~ 3.4	15.9 ~ 24.6	3.0 ~ 4.4	21.7 ~ 31.8
M10 × 1.2	4.5 ~ 6.7	32.5 ~ 48.5	5.9 ~ 8.9	42.7 ~ 64.4
M12 × 1.25	7.8 ~ 11.6	56.4 ~ 83.9	10.6 ~ 16.0	76.7 ~ 116
M14 × 1.5	13.3 ~ 18.1	96.2 ~ 131	17.9 ~ 24.1	130 ~ 174
M16 × 1.5	19.9 ~ 26.9	144 ~ 195	26.6 ~ 36.0	192 ~ 260
M18 × 1.5	28.6 ~ 43.6	207 ~ 315	38.4 ~ 52.0	278 ~ 376
M20 × 1.5	40.0 ~ 54.0	289 ~ 391	53.4 ~ 72.2	386 ~ 522
M22 × 1.5	52.7 ~ 71.3	381 ~ 516	70.7 ~ 95.7	511 ~ 692
M24 × 2.0	67.9 ~ 91.9	491 ~ 665	90.9 ~ 123	658 ~ 890
M30 × 2.0	137 ~ 185	990 ~ 1339	182 ~ 248	1314 ~ 1796
M36 × 3.0	192 ~ 260	1390 ~ 1880	262 ~ 354	1894 ~ 2562

**2) PIPE AND HOSE (FLARE type)**

Thread size (PF)	Width across flat (mm)	kgf · m	lbf · ft
1/4"	19	4	28.9
3/8"	22	5	36.2
1/2"	27	9.5	68.7
3/4"	36	18	130
1"	41	21	152
1-1/4"	50	35	253

**3) PIPE AND HOSE (ORFS type)**

Thread size (UNF)	Width across flat (mm)	kgf · m	lbf · ft
9/16-18	19	4	28.9
11/16-16	22	5	36.2
13/16-16	27	9.5	68.7
1-3/16-12	36	18	130
1-7/16-12	41	21	152
1-11/16-12	50	35	253

**4) FITTING**

Thread size	Width across flat (mm)	kgf · m	lbf · ft
1/4"	19	4	28.9
3/8"	22	5	36.2
1/2"	27	9.5	68.7
3/4"	36	18	130
1"	41	21	152
1-1/4"	50	35	253

## GROUP 3 PUMP DEVICE

### 1. REMOVAL AND INSTALL

#### 1) REMOVAL

- (1) Lower the work equipment to the ground and stop the engine.
- (2) Operate the control levers and pedals several times to release the remaining pressure in the hydraulic piping
- (3) Loosen the breather slowly to release the pressure inside the hydraulic tank.

**▲ Escaping fluid under pressure can penetrate the skin causing serious injury.**

- (4) Loosen the drain plug under the hydraulic tank and drain the oil from the hydraulic tank.

- Hydraulic tank quantity : 70 l  
(18.5 U.S.gal)

- (5) Disconnect hydraulic hoses (21, 22, 23, 97).

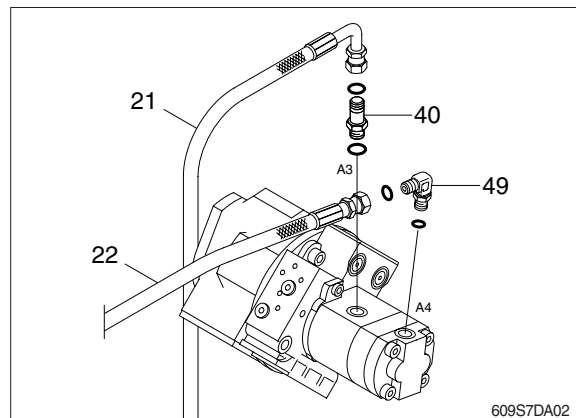
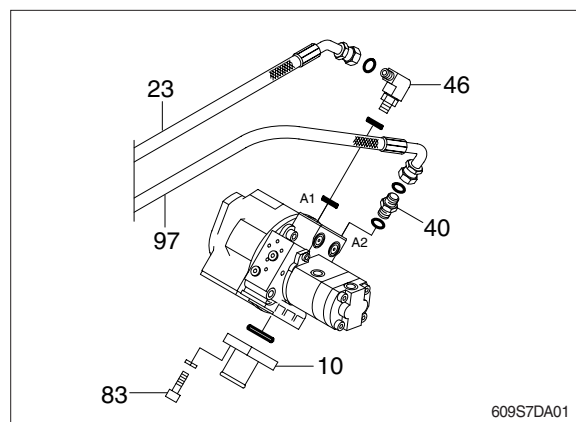
- (6) Remove socket bolts (83) and disconnect pump suction pipe (10).

※ When pump suction pipe is disconnected, the oil inside the piping will flow out, so catch it in oil pan.

- (7) Sling the pump assembly and remove the pump mounting bolts.

- Weight : 30 kg (70 lb)

※ Pull out the pump assembly from housing. When removing the pump assembly, check that all the hoses have been disconnected.

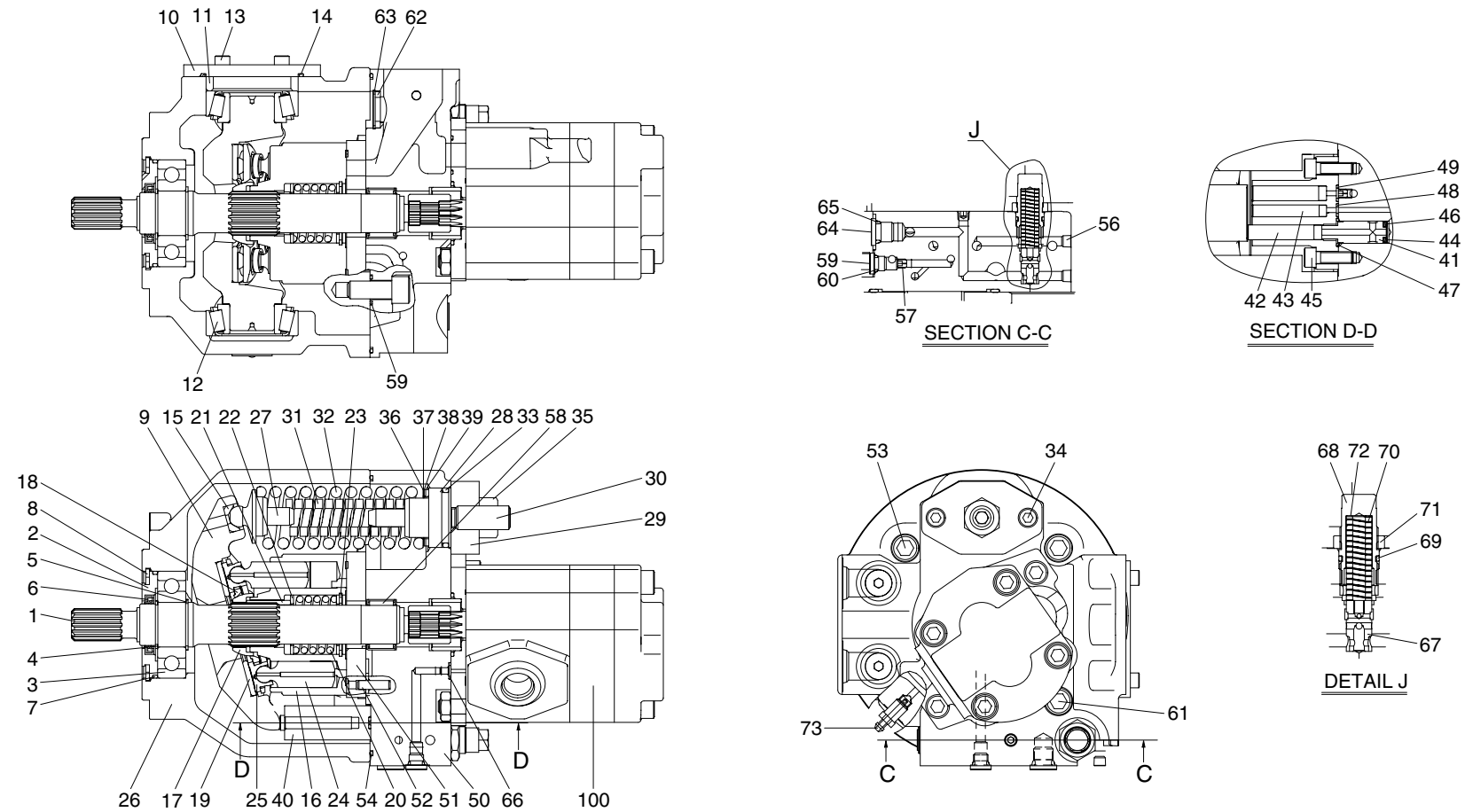


## 2) INSTALL

- (1) Carry out installation in the reverse order to removal.
- (2) Remove the suction strainer and clean it.
- (3) Replace return filter with new one.
- (4) Remove breather and clean it.
- (5) After adding oil to the hydraulic tank to the specified level.
- (6) Bleed the air from the hydraulic pump.
  - ① Loosen the air vent plug.
  - ② Start the engine, run at low idling, and check oil come out from plug.
  - ③ Tighten plug.
- (7) Start the engine, run at low idling (3~5 minutes) to circulate the oil through the system.
- (8) Confirm the hydraulic oil level and check the hydraulic oil leak or not.

## 2. MAIN PUMP

### 1) STRUCTURE



1 Drive shaft	14 O-ring	27 Spring seat(1)	39 Shim	51 Valve plate	63 Snap ring
2 Seal cover	15 Pivot	28 Spring seat(2)	40 Control cylinder	52 Parallel pin	64 RO plug
3 Ball bearing	16 Cylinder block	29 Spring cover	41 Control piston	53 Socket bolt	65 O-ring
4 Snap ring	17 Bushing	30 Adjusting screw	42 Control push-rod(1)	54 O-ring	66 O-ring
5 Snap ring	18 Push plate	31 Spring	43 Control push-rod(2)	55 O-ring	67 Spool
6 Oil seal	19 Shoe plate	32 Spring	44 Spring seat(1)	56 Plug	68 Adjusting screw
7 O-ring	20 Spring	33 O-ring	45 Socket bolt	57 Orifice	69 O-ring
8 Snap ring	21 Parallel pin	34 Socket bolt	46 Conical spring washer	58 Needle bearing	70 Spring
9 Swash plate	22 Spring seat	35 Hex nut	47 O-ring	59 RP plug	71 Hex nut
10 Plate	23 Snap ring	36 Shim	48 O-ring	60 O-ring	72 Shim
11 Bearing spacer	24 Piston	37 Shim	49 O-ring	61 Socket bolt	73 Air breather
12 Roller bearing	25 Shoe	38 Shim	50 Valve block	62 Filter	100 Gear pump assy
13 Socket bolt	26 Pump casing				

555C92SF06

## 2) TOOLS AND TIGHTENING TORQUE

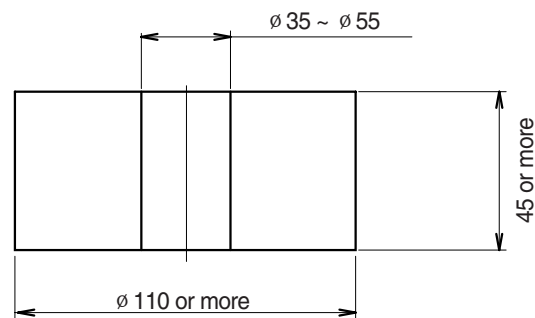
### (1) Tools

The tools necessary to disassemble/reassemble the pump are shown in the follow list.

Name	Quantity	Size (nominal)
Hexagonal bar spanner	One each	5, 6, 8, 10
Spanner	1	17, 24
Plastic hammer	1	Medium size
Snap ring pliers	1	For hole (stop ring for 72)
Snap ring pliers	1	For shaft (stop rings for 28 and 30)
Standard screw-driver	2	Medium size
Torque wrench	-	Wrench which can tighten at the specified torque
Grease	Small	-
Adhesives	Small	LOCTITE #270

### (2) Jigs

#### ① Disassembling table

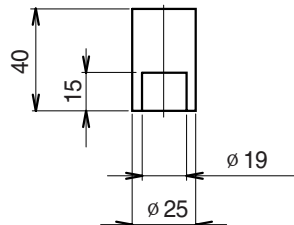


R55NM7HP01

This is plate to stand the pump facing downward.

A square block may be used instead if the shaft end does not contact.

#### ② Bearing assembling jig



R55NM7HP02

### (3) Tightening torque

Part name	Bolt size	Torque		Wrench size	
		kgf · m	lbf · ft	in	mm
Hexagon socket head bolt	M 6	1.2	8.7	0.20	5
	M 8	3.0	21.7	0.24	6
	M12	10.0	72.3	0.39	10
	M16	24.0	174	0.55	14
	M18	34.0	246	0.55	14
PT Plug	PT 1/16	0.9	6.5	0.16	4
PF Plug	PF 1/8	1.5	10.8	0.20	5
	PF 1/4	3.0	21.7	0.24	6



### 3. DISASSEMBLY PROCEDURE

#### 1) DISASSEMBLING THE GEARED PUMP

- ① Remove the hexagonal socket headed bolts (M10 × 25, 2 pieces).

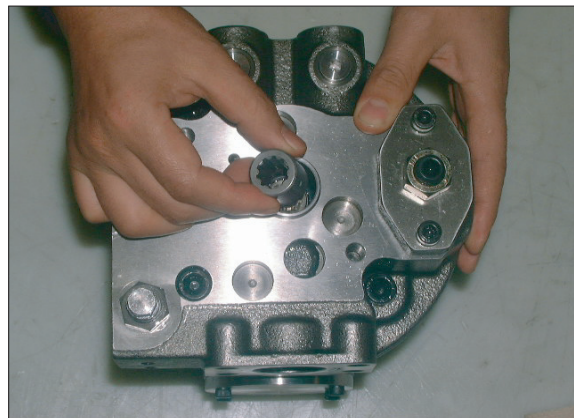
Hexagonal bar spanner  
(Hex. side distance : 8)

- ※ Be careful because the O-ring and filter are provided to the match surface of the geared pump.



R55NM7HP03

- ② Remove the coupling.



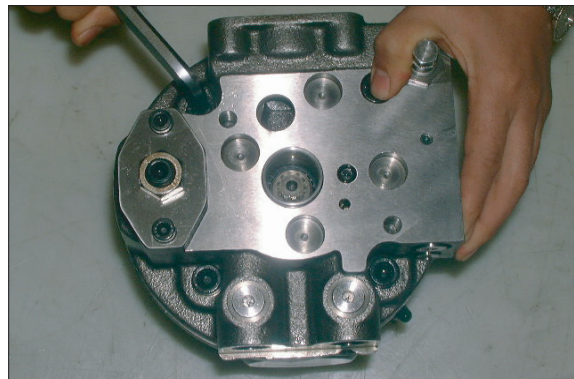
R55NM7HP04

#### 2) DISASSEMBLING THE MAIN PUMP

- ① Remove the cover.

Remove the hexagonal socket headed bolts. (M12 × 30, 3pieces) and (M12 × 55, 1piece).

Hexagonal bar spanner  
(Hex. side distance : 10)

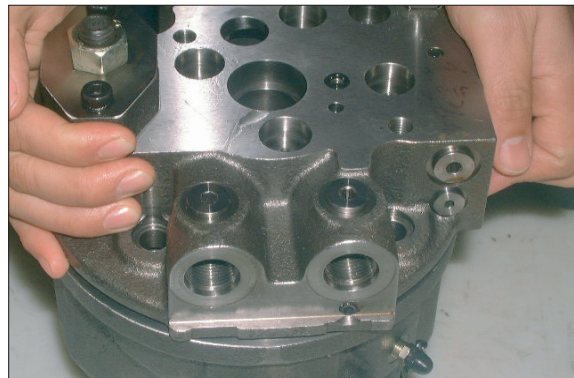


R55NM7HP05

- ② Remove the cover in a horizontal condition.

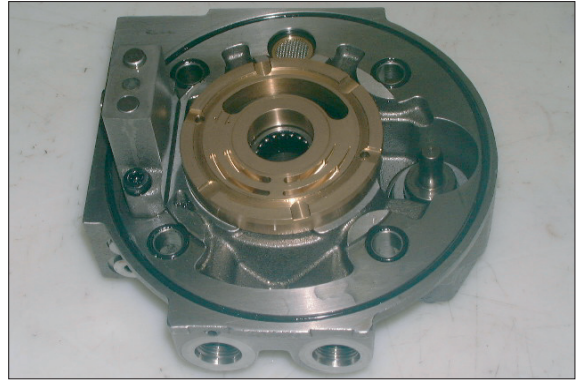
Connect motor to work table.

- ※ Be careful because the control plate is provided to the backside.  
When the cover is difficult to remove, knock lightly with a plastic hammer.



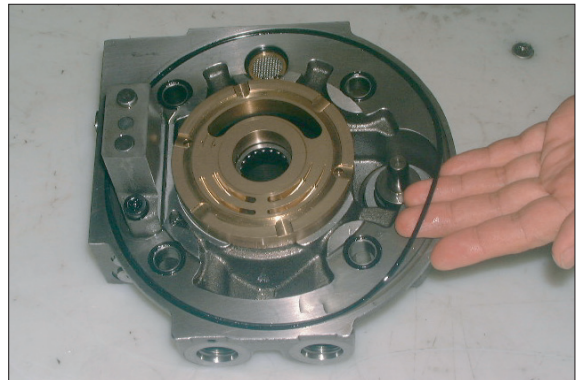
R55NM7HP06

- ③ This photo shows the state with the cover removed.



R55NM7HP07

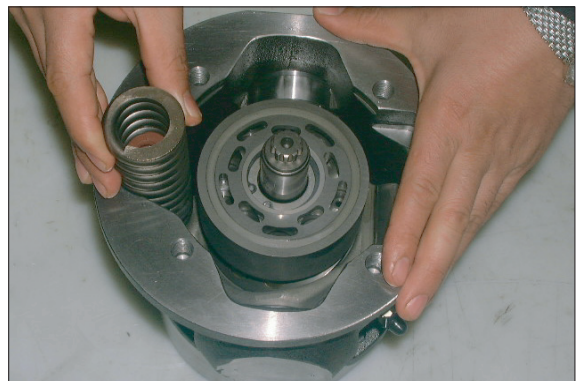
- ④ Remove the O-ring from the cover.



R55NM7HP08

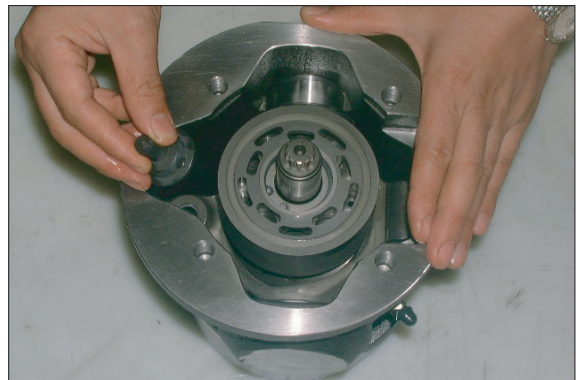
**(1) The removal of the control spring**

- ① Remove 2 springs (inner and outer).



R55NM7HP09

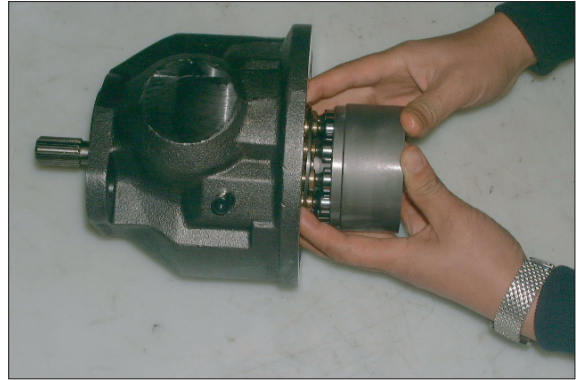
- ② Remove the spring seat.



R55NM7HP10

**(2) The removal of rotary group**

- ① Lay the pump on the side and take out the rotary group from the shaft.



R55NM7HP11

- ② Remove the plate.



R55NM7HP12

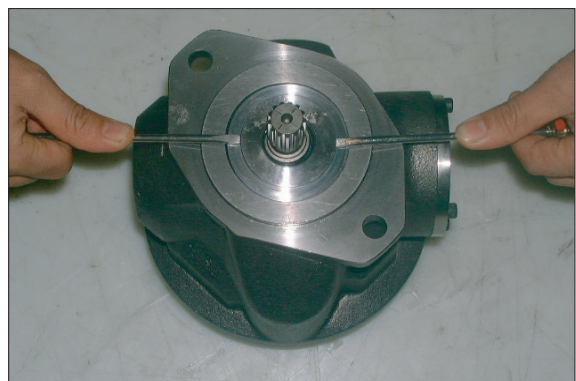
**(3) The removal of the shaft**

- ① Remove the C-type stop ring.  
(snap ring pliers for hole)



R55NM7HP13

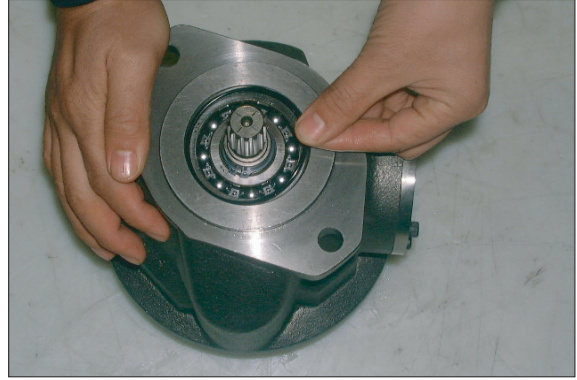
- ② Use two standard screw-drivers to remove the oil seal case.



R55NM7HP14

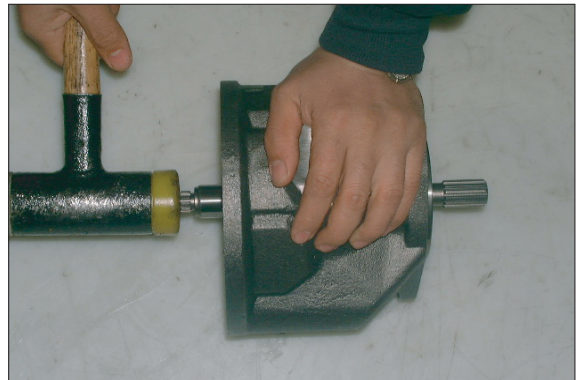


- ③ Remove the O-ring.



R55NM7HP15

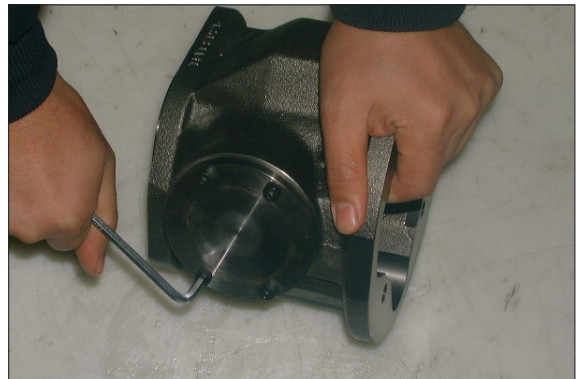
- ④ Remove it while knocking the shaft rear and lightly with a plastic hammer.



R55NM7HP16

**(4) The removal of the hanger**

- ① Remove the hexagonal socket headed bolts (M6 × 16, 4pieces) and plate.  
Hexagonal bar spanner  
(Hex. side distance : 5)



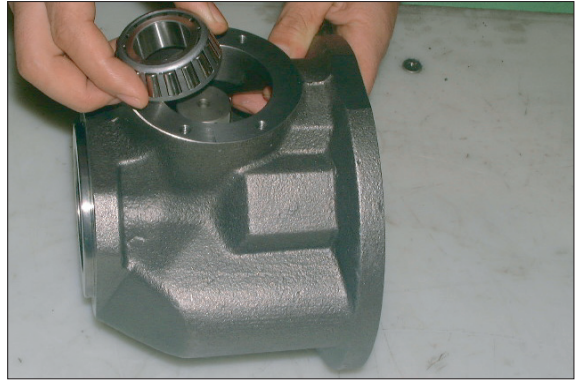
R55NM7HP17

- ② Remove the distance piece.



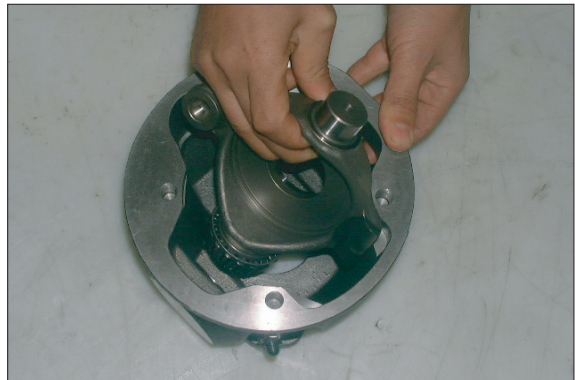
R55NM7HP18

③ Remove the bearing.



R55NM7HP19

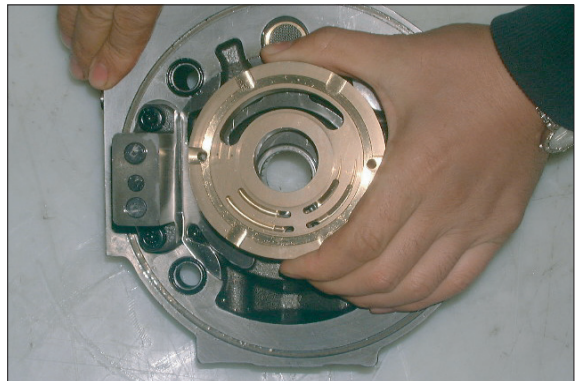
④ Remove the hanger.



R55NM7HP20

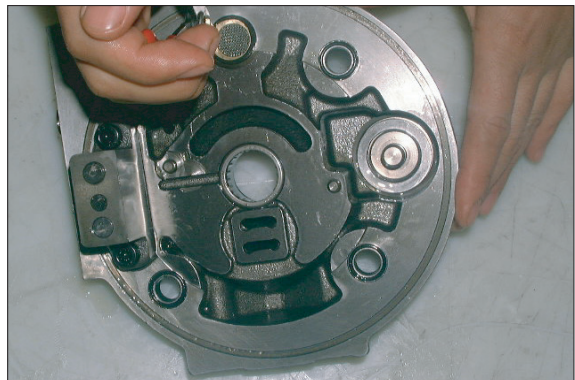
**(5) The removal of the cover**

① Remove the control plate.



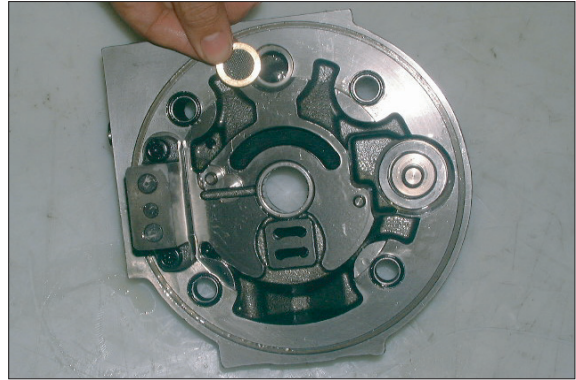
R55NM7HP21

② Remove the C-type stop ring.



R55NM7HP22

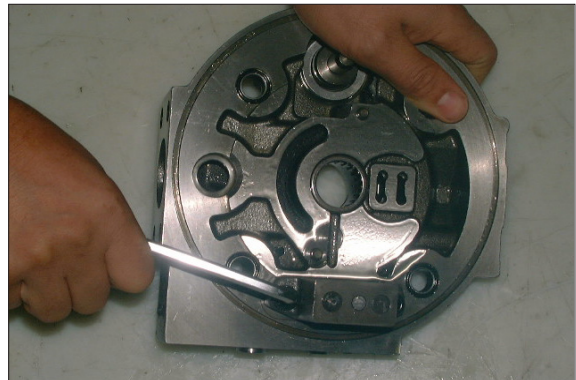
- ③ Remove the filter.



R55NM7HP23

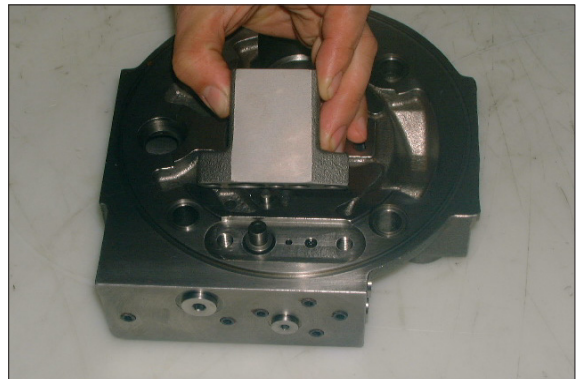
**(6) The removal of the control piston**

- ① Remove the hexagonal socket headed bolts. (M8 × 25, 2pieces)  
Hexagonal bar spanner  
(Hex. side distance : 6)  
The threaded portion of the bolt is coated with LOCTITE #270.  
This disassembly must therefore be made only when necessary.



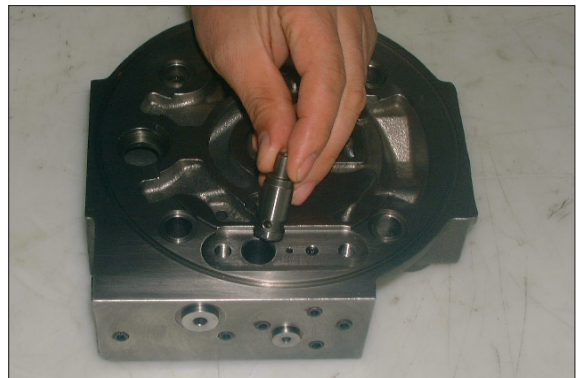
R55NM7HP24

- ② Remove the cylinder and parallel pin.  
※ Be careful because 3 O-rings are provided to the cylinder.



R55NM7HP25

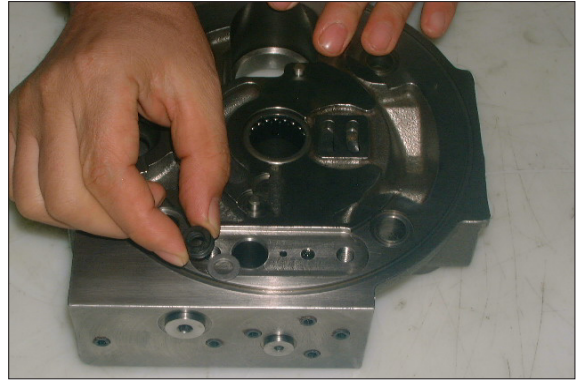
- ③ Take out the piston.



R55NM7HP26



- ④ Take out three caned disk springs and spring seats.

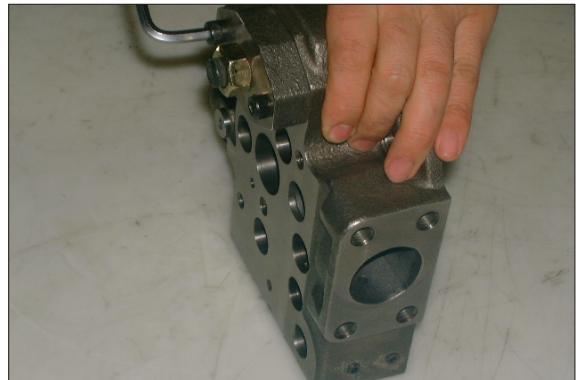


R55NM7HP27

**(7) The removal of the control spring**

- ① Remove the hexagonal socket headed bolts (M8 × 30, 2pieces) and remove the cover.

Hexagonal bar spanner  
(Hex. side distance : 6).



R55NM7HP28

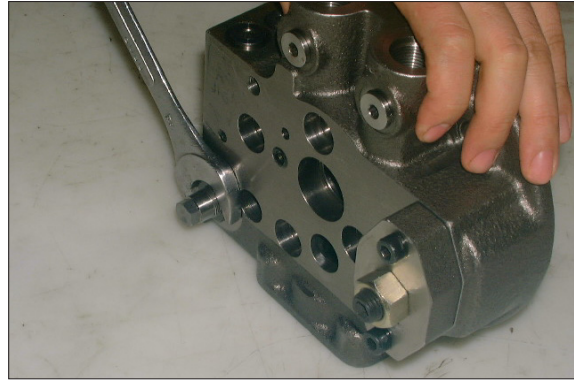
- ② Remove the spring seat.



R55NM7HP29

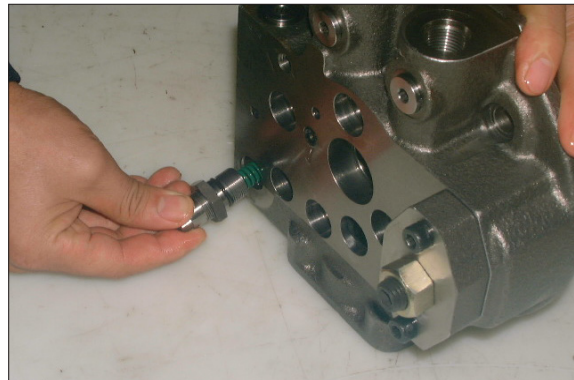
**(8) The removal of the relief valve**

- ① Remove the hexagonal nuts.
- ※ Since the pressure has been set, this assembly must be made only when necessary.
- Spanner (Hex. side distance : 24).



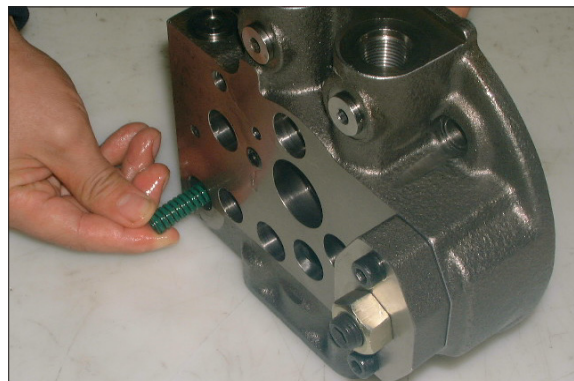
R55NM7HP30

- ② Remove the adjusting screw.
- ※ Be careful because the shim is inserted.



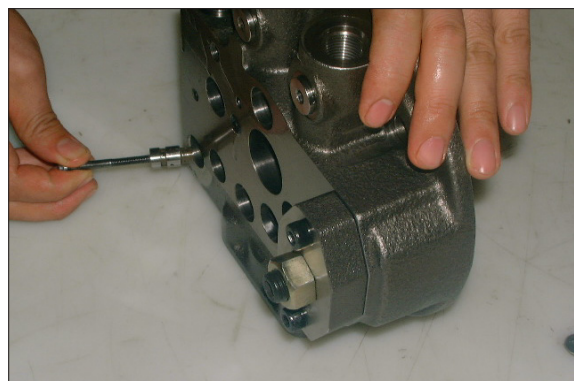
R55NM7HP31

- ③ Remove the spring.



R55NM7HP32

- ④ Remove the spool.

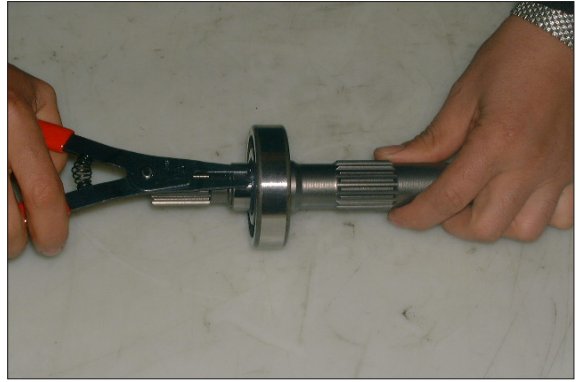


R55NM7HP33



**(9) Disassembly of the shaft**

- ① Remove the bearing.  
Remove the C-type stop ring.  
Snap ring pliers for shaft.



R55NM7HP34

- ② Remove it while knocking the rear end of shaft lightly with a plastic hammer.



R55NM7HP35

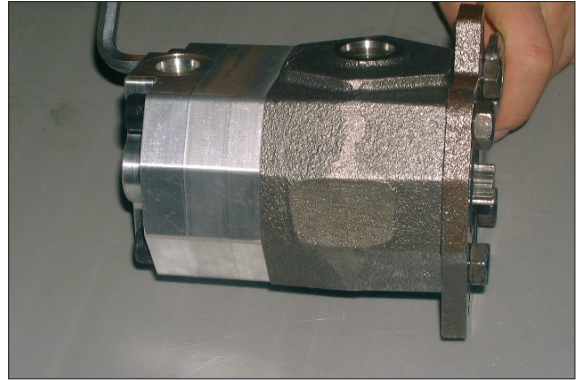
### 3) DISASSEMBLING THE GEARED PUMP

#### (1) Disassembling the P3 and P4 pump

- ① Removed hexagonal socket head bolt and nut.

Hexagonal socket wrench (8 mm).

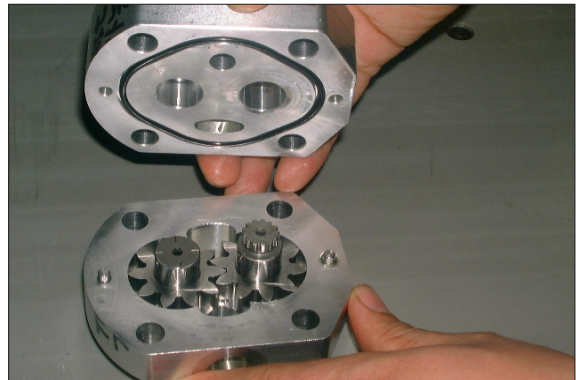
Hexagonal bar spanner (17 mm).



R55NM7HP209

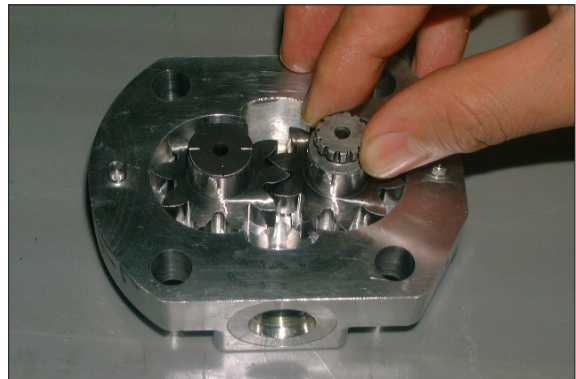
#### (2) Disassembling the geared pump (P4)

- ① Remove the geared pump (P4) from the center frame.



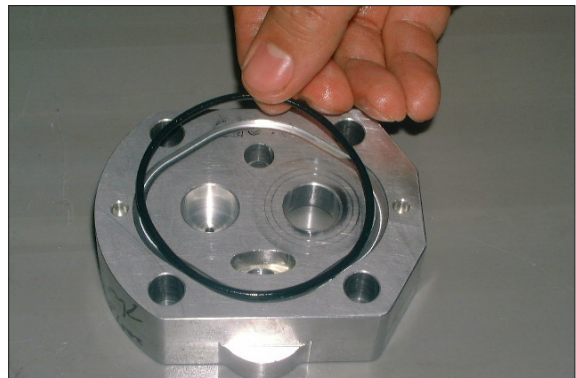
R55NM7HP208

- ② Pulling out the drive gear and the idle gear.



R55NM7HP207

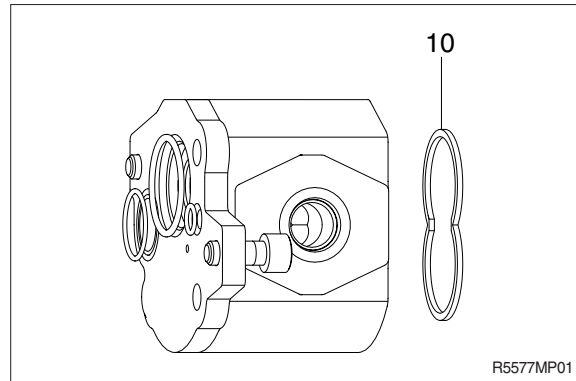
- ③ Remove the O-ring from the center frame.



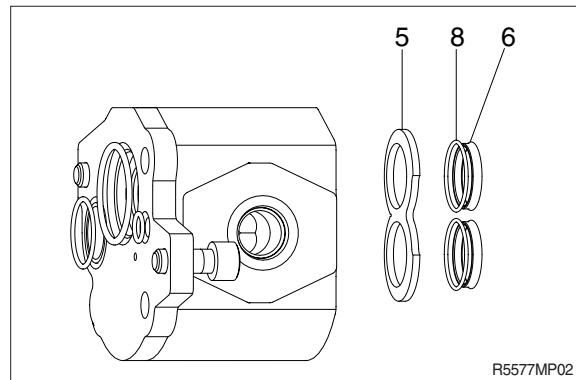
R55NM7HP206

**(3) Disassembling the geared pump (P3)**

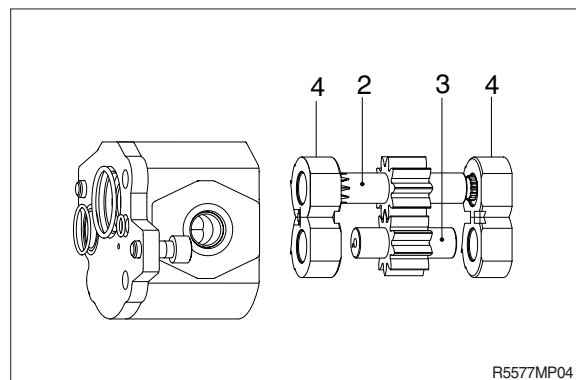
- ① Remove the square ring (10).



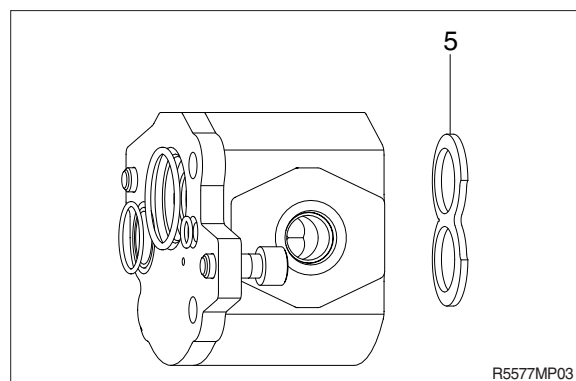
- ② Remove the plate (5) and the guide ring (pieces). With O-ring (6, 8).  
Remove the O-ring (8) from guide ring (6).



- ③ Remove the drive and idle gear (2, 3) and the side plate (4) assembly.



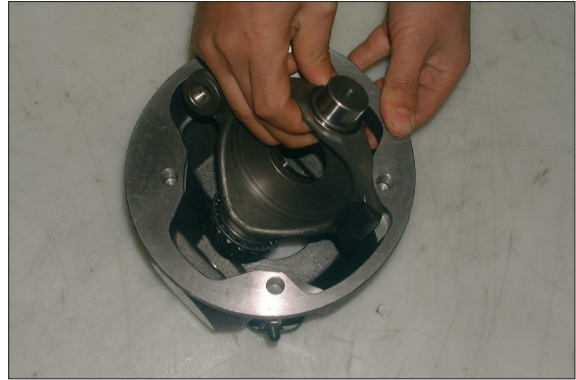
- ④ Remove the plate



#### 4. ASSEMBLING PROCEDURE

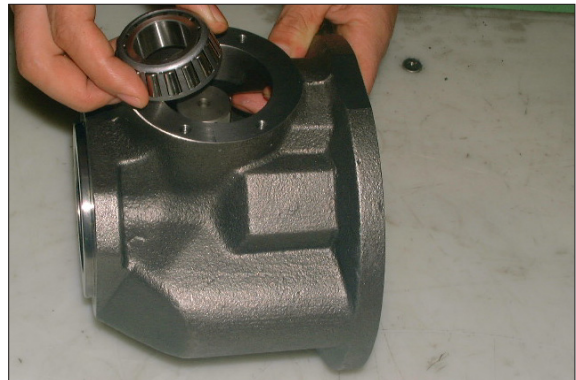
##### 1) ASSEMBLING THE MAIN PUMP

(1) Assembling the hanger.



R55NM7HP50

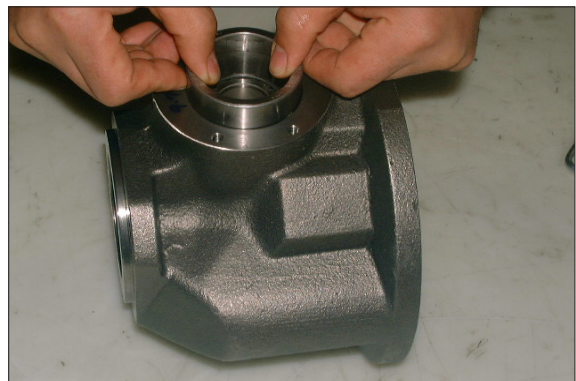
(2) Install the bearing.



R55NM7HP50A

(3) Install the distance piece.

Confirm that pre-load is  $0.1 \pm 0.2$ .



R55NM7HP51

(4) Fix the plate with the hexagonal socket headed bolts (M6 × 16, 4pieces).

Hexagonal bar spanner

(Hex. side distance : 5)

Tightening torque : 1.2 ~ 1.5 kgf · m

(8.7 ~ 10.8 lbf · ft)



R55NM7HP52



**(5) Assembling the shaft**

- ① Fit the shaft into the bearing (with the bearing in the bottom) by using the press machine and jig. If the press is not available, use the jig in the similar manner and drive the shaft into the bearing by knocking with a plastic hammer.



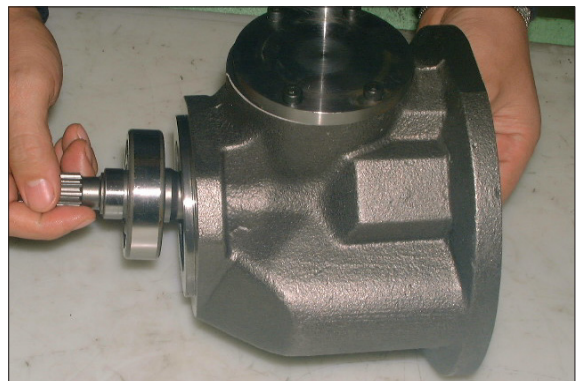
R55NM7HP53

- ② Install the C-type stop ring to fix the bearing.



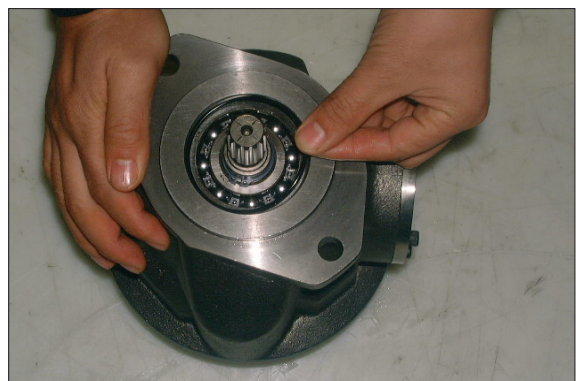
R55NM7HP54

- ③ Assembling the shaft.  
Assemble the shaft into the housing.  
Knock the spline end lightly with a plastic hammer and fix the bearing outer ring firmly into the housing hole.



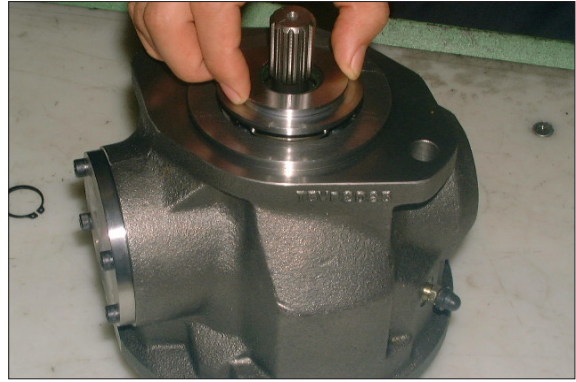
R55NM7HP55

- ⑥ Apply grease to the O-ring for assembling.



R55NM7HP56

- (7) Install the case with oil seal vertically without tilting.  
※ Apply grease to the oil seal lip beforehand.



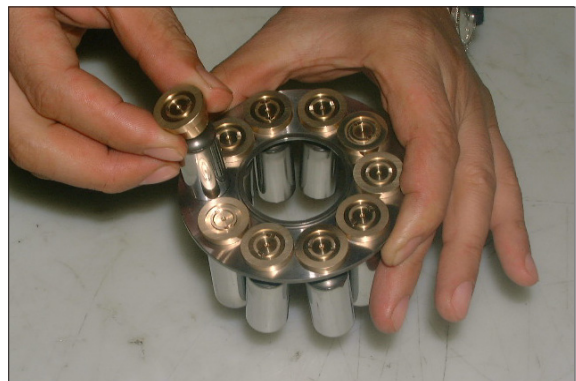
R55NM7HP57

- (8) Install the C-type stop ring to fix the shaft.



R55NM7HP58

- (9) Assembling the rotary group.  
Install 10 (ten) pistons into the retainer.



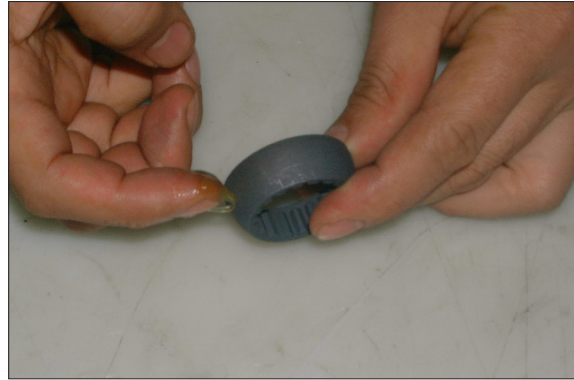
R55NM7HP59

- (10) Apply grease to 3 parallel pins and assemble them to the cylinder block.



R55NM7HP60

(11) Apply grease to the spherical portion of the guide.



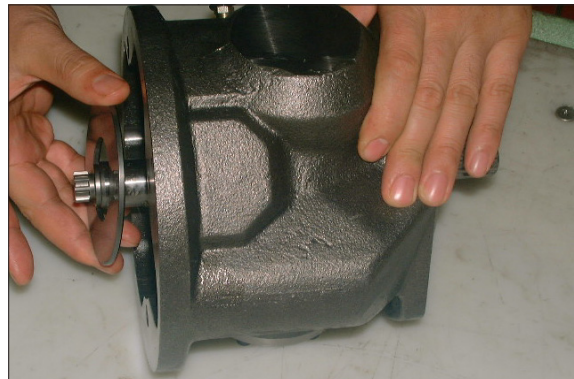
R55NM7HP61

(12) Insert the guide between the retainer and cylinder block and assemble the piston into the hole of cylinder block.



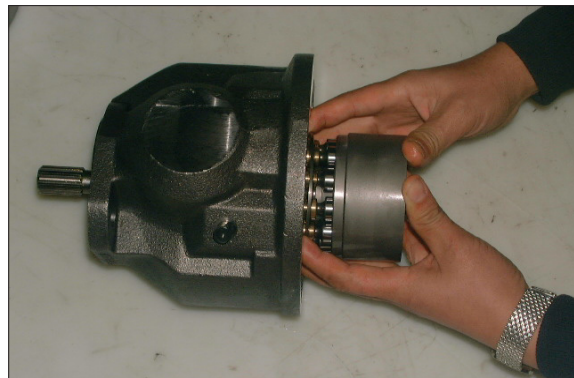
R55NM7HP62

(13) Assembling the rotary group.  
To prevent dislodgement, apply grease to the back side of the plate and assemble it to the hanger.



R55NM7HP63

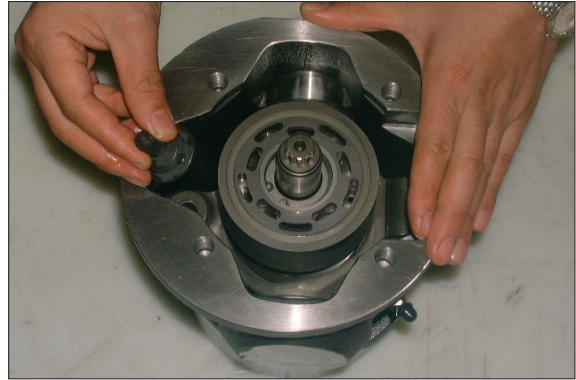
(14) Assemble the rotary group along the shaft spline.  
\* During assembly, apply grease to the slide surface of piston shoe and to the slide surface of the cylinder block relative to the control plate.



R55NM7HP64

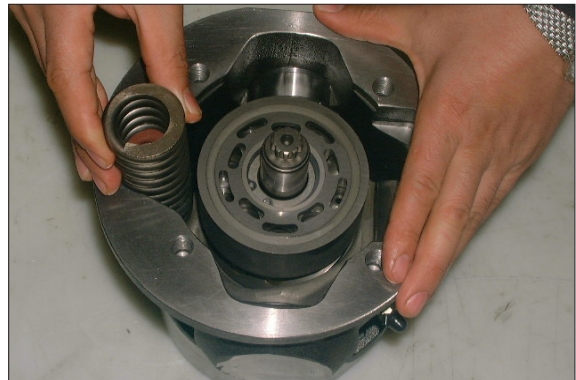


- (15) Assembling the control spring.  
Apply grease to the spherical portion of the spring seat before assembling.



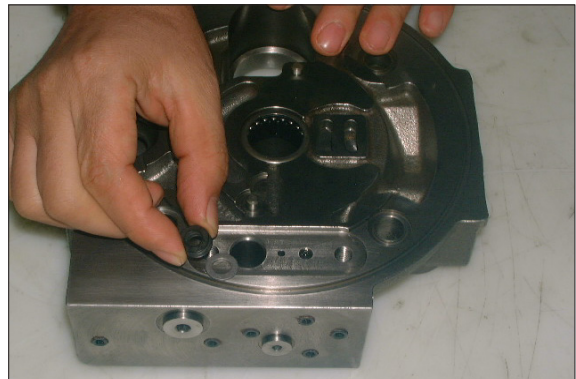
R55NM7HP65

- (16) Assemble 2 springs (inner and outer).



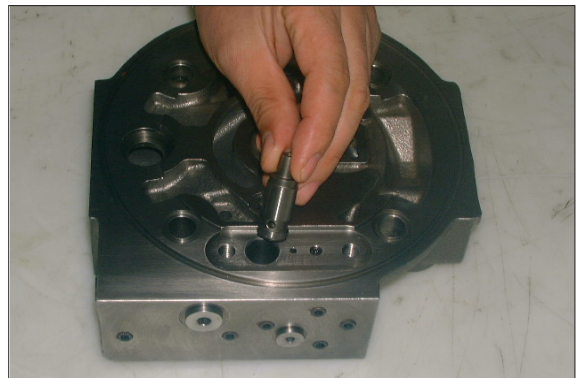
R55NM7HP66

- (17) Assembling the cover.  
Assemble the spring seats and coned disk springs (3 pieces).



R55NM7HP67

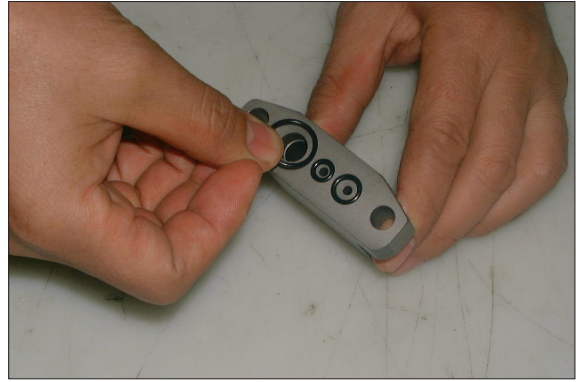
- (18) Assembling the control piston.



R55NM7HP68

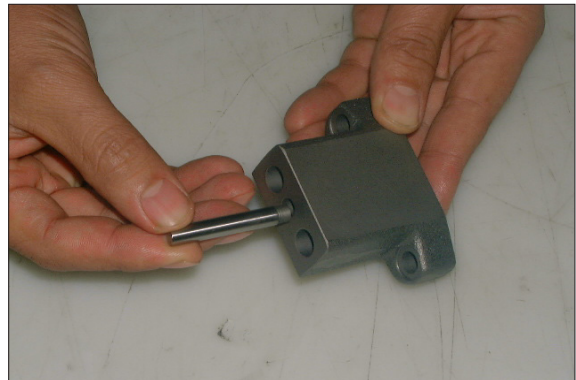


- (19) Apply grease to the O-rings  
( $5.28 \times 1.78$ , 1piece), ( $7.65 \times 1.78$ , 1piece)  
and ( $15.6 \times 1.78$ , 1piece) and assemble  
them to the cylinder.



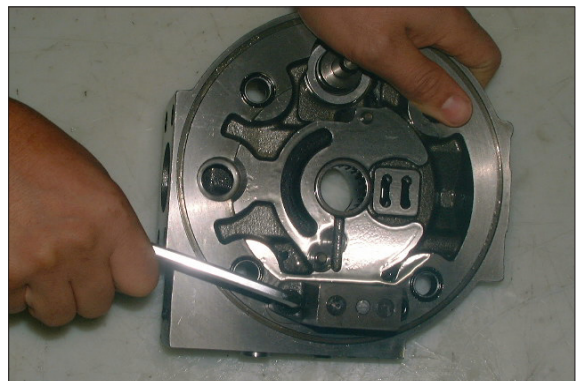
R55NM7HP69

- (20) Apply grease to 3 parallel pins and  
assemble 3 pins into the cylinder.



R55NM7HP70

- (21) Fix the cylinder with the hexagonal socket  
headed bolts ( $M8 \times 25$ , 2pieces).  
\* Apply LOCTITE #270 to the threaded  
portion of bolt.  
Hexagonal bar spanner  
(Hex. side distance : 6)  
Tightening torque :  $2.9 \sim 3.5 \text{ kgf} \cdot \text{m}$   
( $21 \sim 25.3 \text{ lbf} \cdot \text{ft}$ )



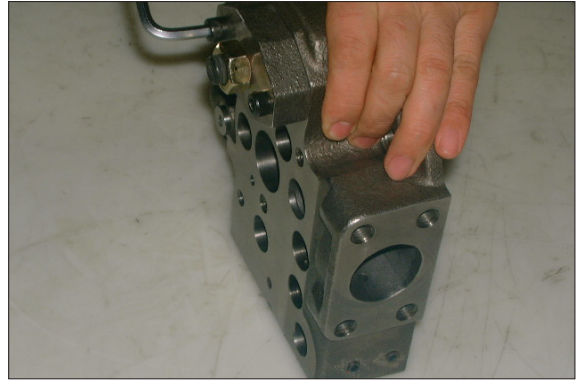
R55NM7HP71

- (22) Assembling the control spring.  
Install the spring seat.



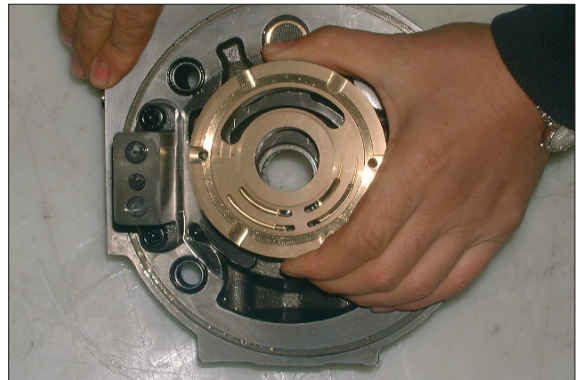
R55NM7HP72

- (23) Fix the cover with the hexagonal socket headed bolts (M8 × 30, 2pieces)  
Hexagonal bar spanner  
(Hex. side distance : 6)  
Tightening torque : 2.9 ~ 3.5 kgf · m  
(21 ~ 25.3 lbf · ft)



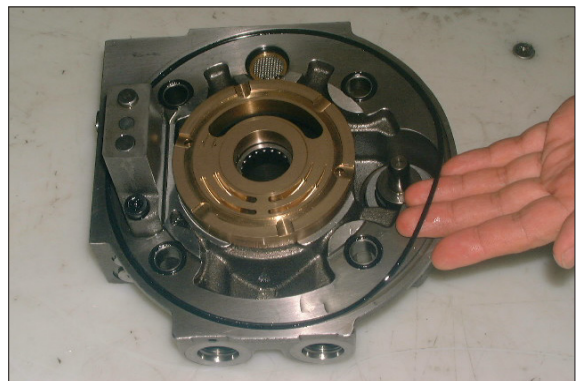
R55NM7HP73

- (24) Apply grease to the back side of the control plate and assemble it to the cover while matching knock holes.



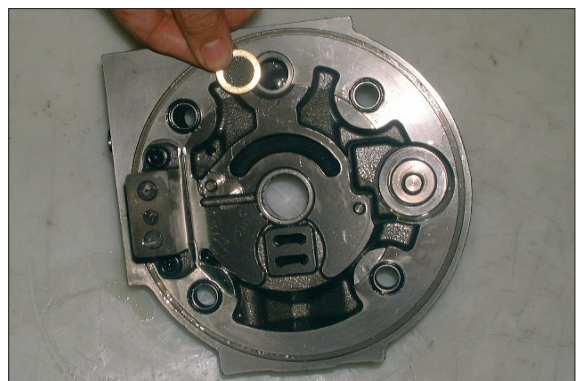
R55NM7HP74

- (25) Install the O-ring.  
Assemble the spring seats and coned disk springs (3pieces).



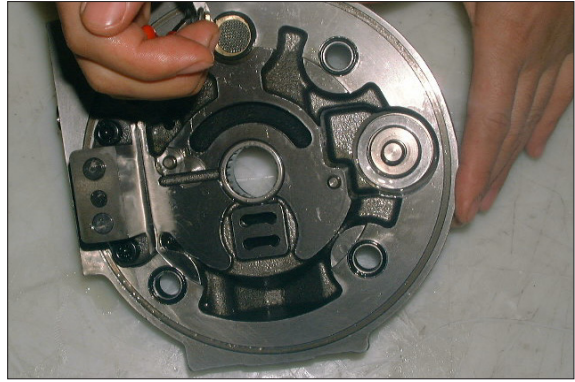
R55NM7HP75

- (26) Install the filter into the cover.



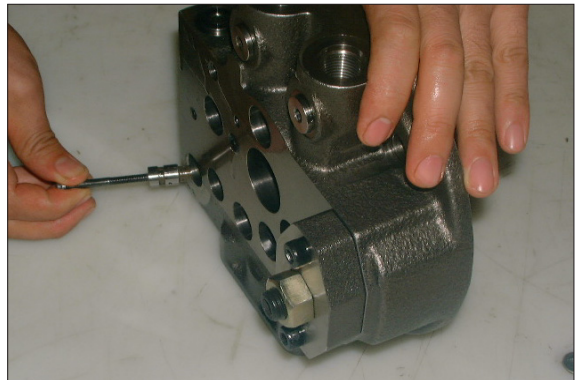
R55NM7HP76

(27) Fix the filter with the C-type stop ring.



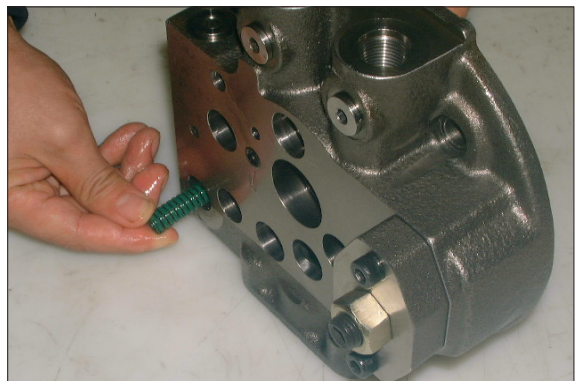
R55NM7HP77

(28) Assembling the relief valve.  
Assemble the spool.



R55NM7HP78

(29) Assemble the spring.



R55NM7HP79

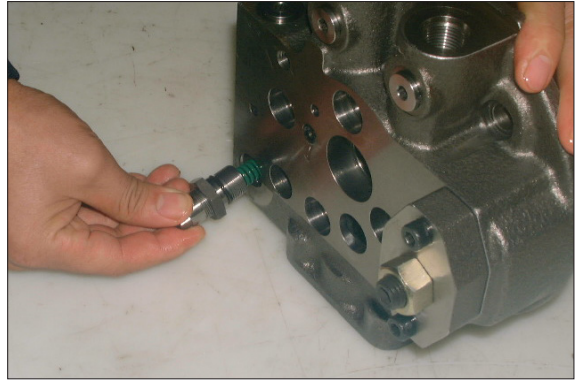
(30) Insert the shim into the adjusting screw.



R55NM7HP80

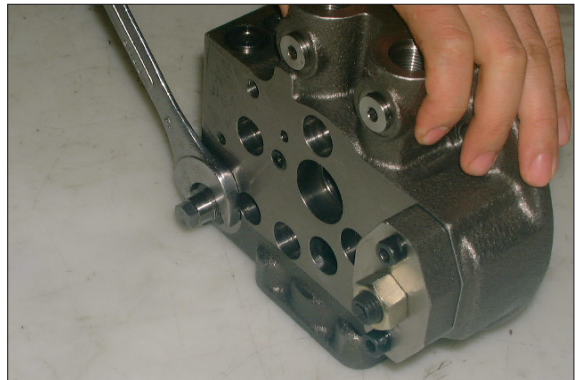


(31) Assemble the adjusting screw.



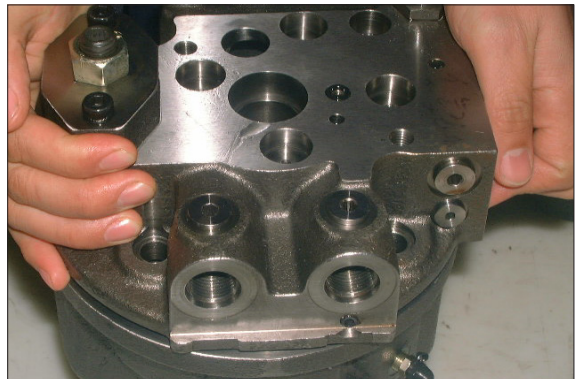
R55NM7HP81

(32) Tighten the hexagonal nuts.  
After assembling, set the pressure and  
tighten the nuts.  
1 kgf · m (7.2 lbf · ft)  
Spanner (Hex. side distance : 24)



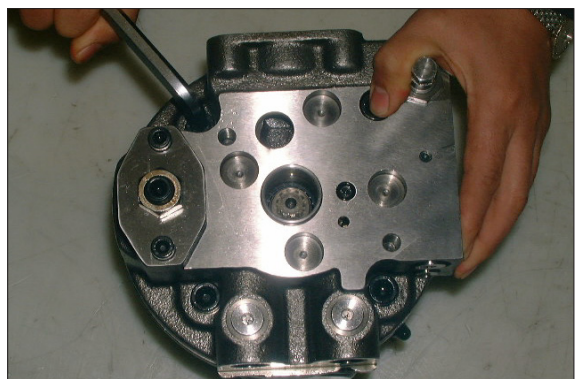
R55NM7HP82

(33) Install the cover in a parallel direction to  
the housing mounting surface.



R55NM7HP83

(34) Fix the cover with the hexagonal socket  
headed bolts (M12×30, 3pieces) and  
(M12×55, 1piece)  
Hexagonal bar spanner  
(Hex. side distance :10)  
Tightening torque : 10 ~ 12.5 kgf · m  
(72.3 ~ 90.4 lbf · ft)



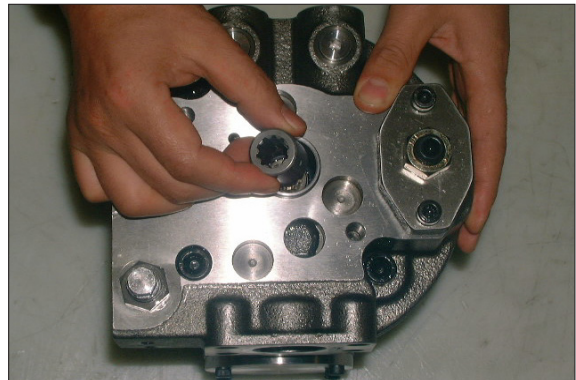
R55NM7HP84

(35) Install the O-ring into the cover.



R55NM7HP85

(36) Install the coupling to the shaft end of the main pump.



R55NM7HP86

(37) Connect the main and geared pump.



R55NM7HP87

(38) Fix the geared pump with the hexagonal socket headed bolts (M10 × 25, 2pieces).  
Hexagonal bar spanner  
(Hex. side distance : 8)  
Tightening torque : 5.6 ~ 7.0 kgf · m  
(40.5 ~ 50.6 lbf · ft)

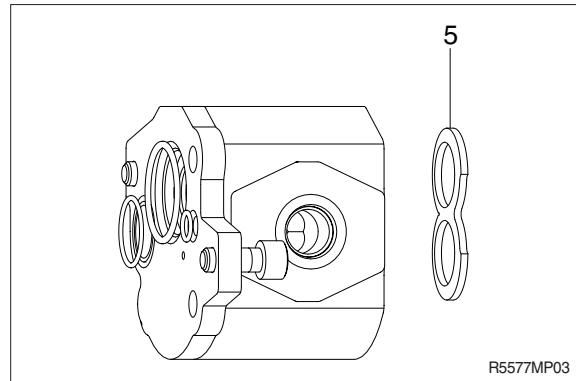


R55NM7HP88

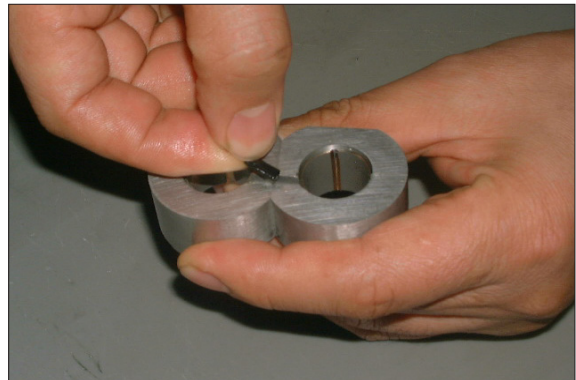
#### 4) REASSEMBLING THE GEARED PUMP

##### (1) Reassembling the geared pump (P3)

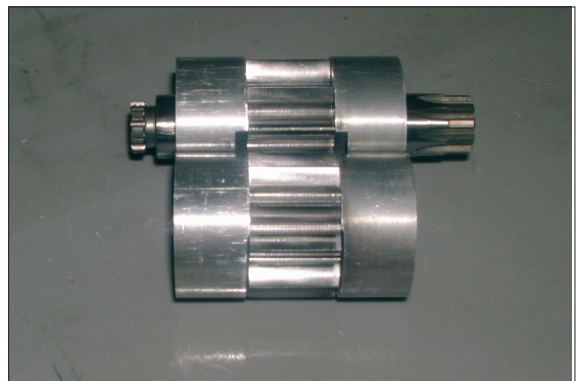
- ① Insert the plate (5) to the pump housing.



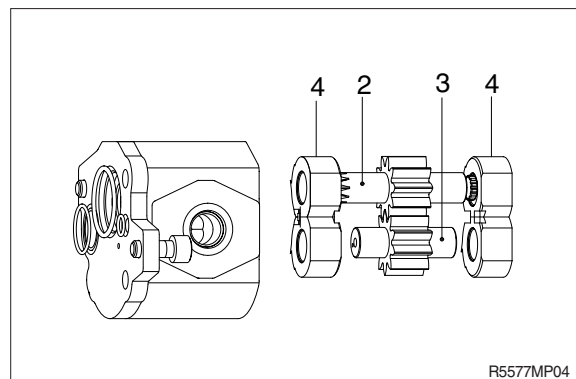
- ② Insert the square ring into the side plate.  
※ Be careful to suction and discharge side.



- ③ Assemble the side plate to the drive and idle gear.



- ④ Assemble the gear assembly into the gear casing.

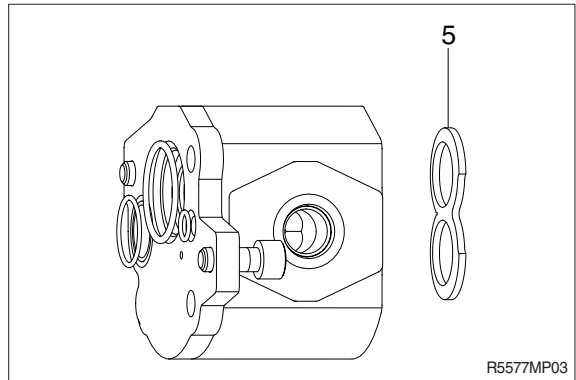


- ⑤ Assemble the O-ring to the guide ring and assemble them to the plate.



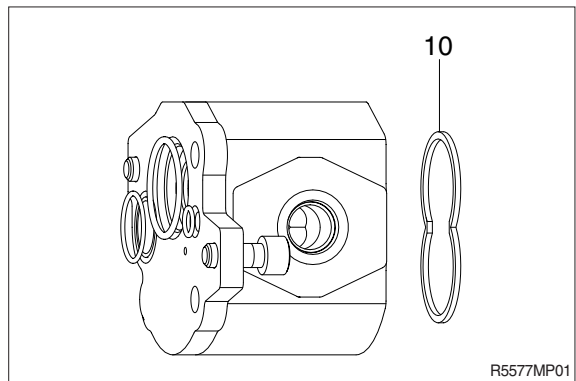
R55NM7HP213

- ⑥ Assemble the guide ring assembly (6, 8) and plate (5) to the gear casing.



R5577MP03

- ⑦ Assemble the square ring (10) to the gear casing.

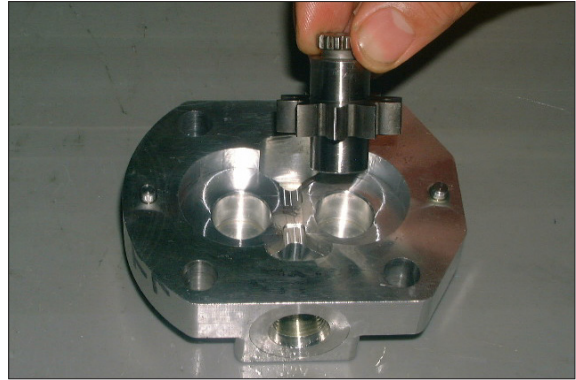


R5577MP01



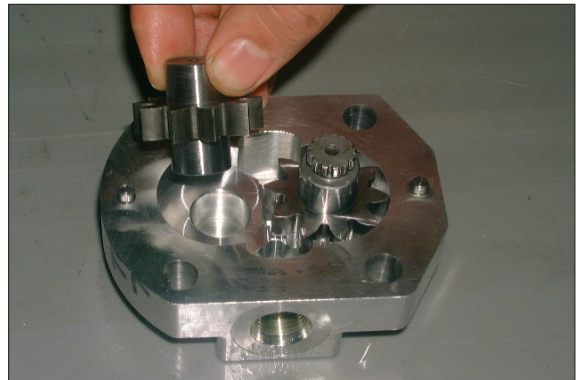
**(2) Reassembling the geared pump (P4)**

① Insert the drive gear into the gear casing.



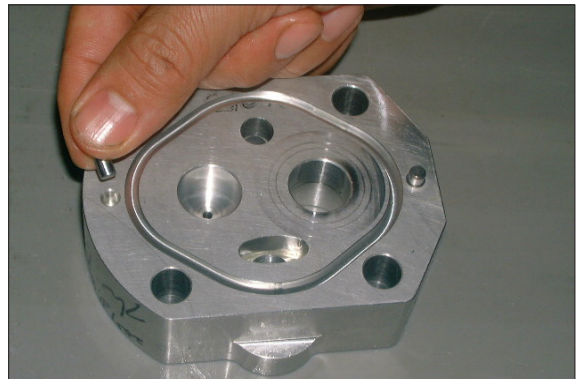
R55NM7HP219

② Insert the idle gear to into the gear casing.



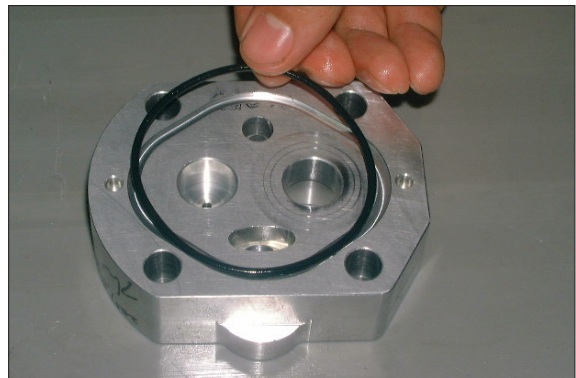
R55NM7HP220

③ Insert the pins (2-pieces) to the center frame.



R55NM7HP221

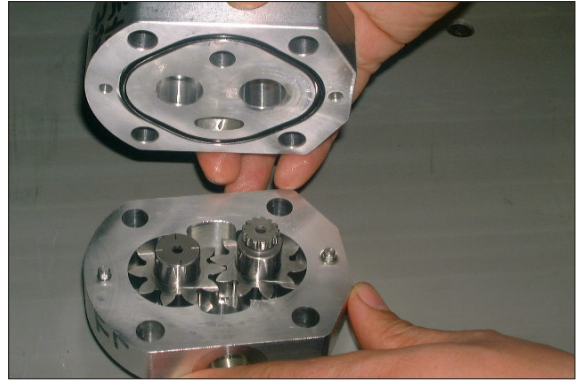
④ Assemble the O-ring to the center frame.



R55NM7HP222



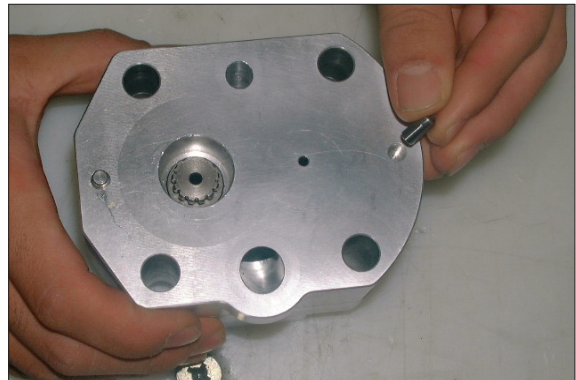
- ⑤ Assemble the center frame sub-assembly to the gear casing sub-assembly.



R55NM7HP223

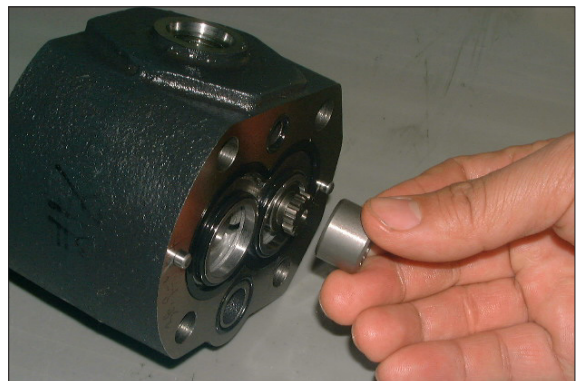
**(3) Reassembling the P3 and P4 pumps**

- ① Insert the pins (2-pieces) into the center frame.



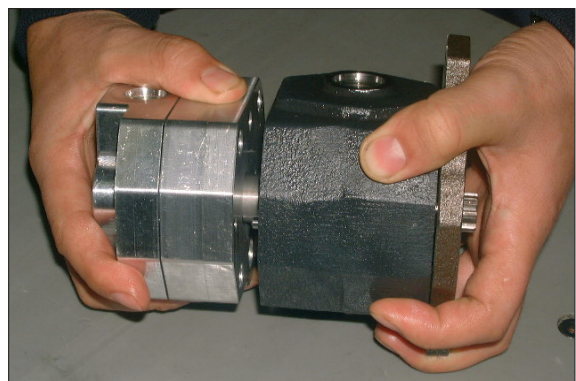
R55NM7HP224

- ② Insert coupling to the P3 geared pump.



R55NM7HP225

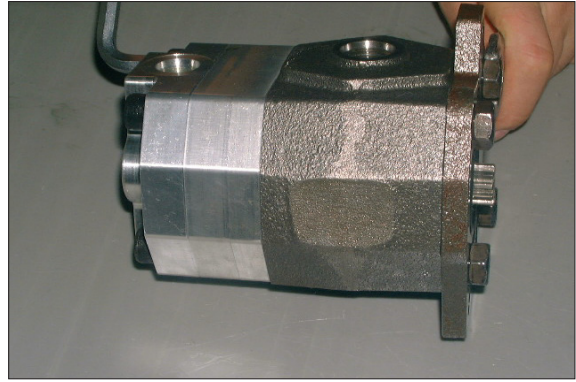
- ③ Assemble the P3 and P4 geared pumps.



R55NM7HP226

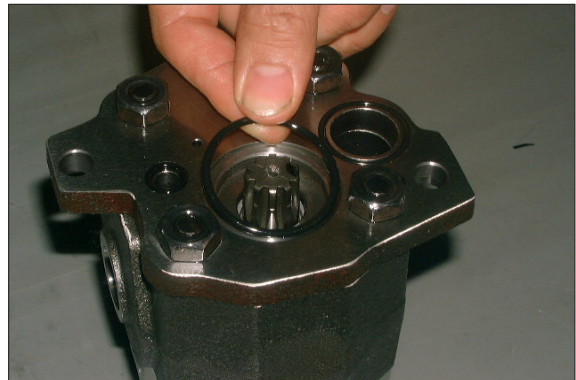
④ Assemble the hexagonal socket bolts and nuts.

- Size : M10×65L, 4pieces
- Allen wrench : 8 mm
- Spanner : 17 mm
- Tightening torque : 580 kgf · cm  
(56.9 N · m)



R55NM7HP227

⑤ Assemble the O-ring to the pump housing.



R55NM7HP228

## GROUP 4 MAIN CONTROL VALVE

### 1. REMOVAL AND INSTALL OF MOTOR

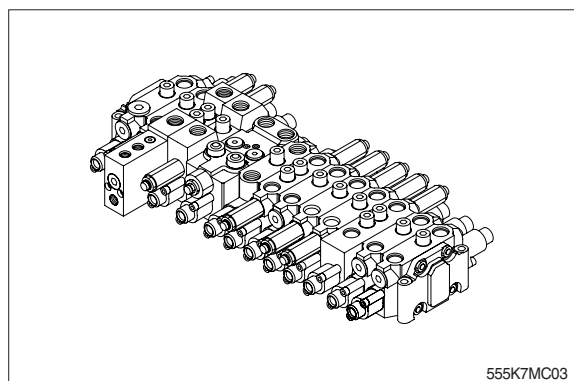
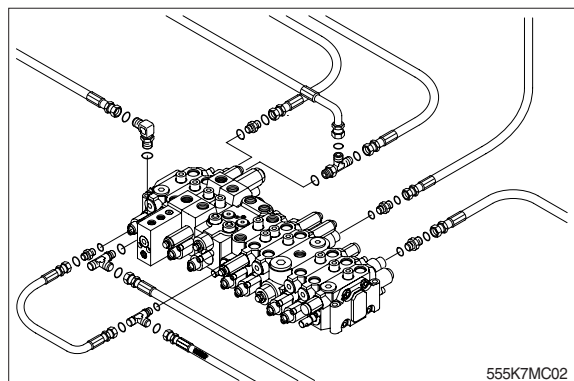
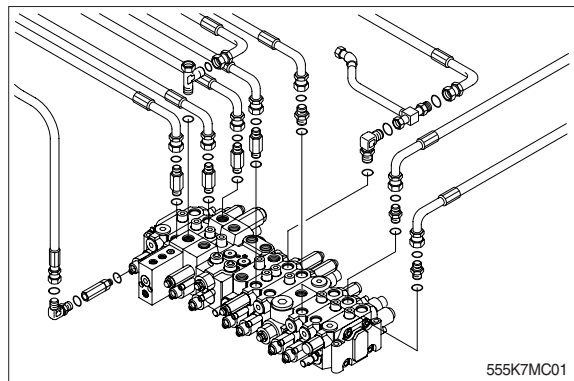
#### 1) REMOVAL

- (1) Lower the work equipment to the ground and stop the engine.
- (2) Operate the control levers and pedals several times to release the remaining pressure in the hydraulic piping.
- (3) Loosen the breather slowly to release the pressure inside the hydraulic tank.
- ▲ **Escaping fluid under pressure can penetrate the skin causing serious injury.**
  - ※ When pipes and hoses are disconnected, the oil inside the piping will flow out, so catch it in oil pan.
- (4) Disconnect hydraulic hose.
- (5) Disconnect pilot line hoses.
- (6) Remove links.
- (7) Sling the control valve assembly and remove the control valve mounting bolt.
  - Weight : 40 kg (90 lb)

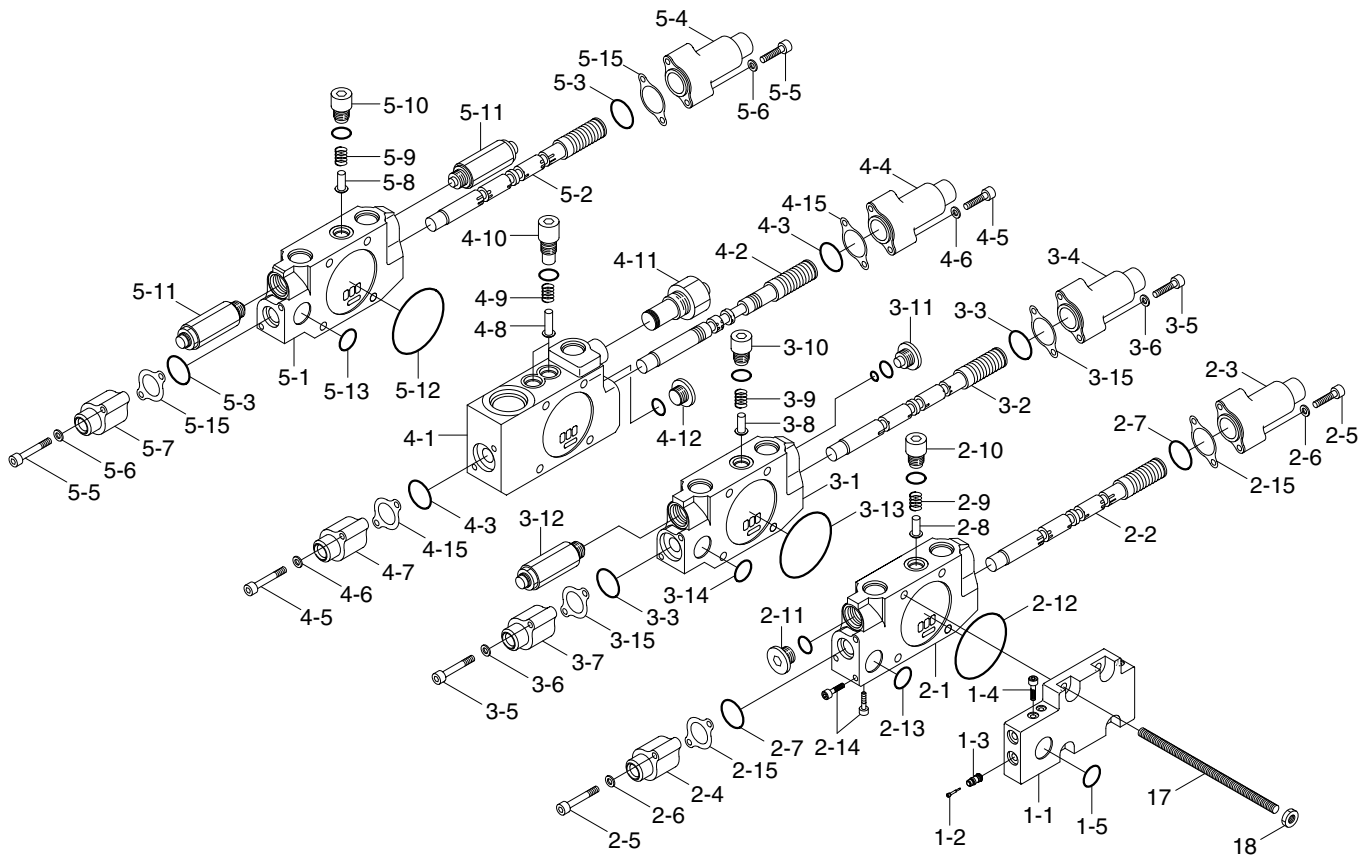
- (8) Remove the control valve assembly.  
When removing the control valve assembly, check that all the piping have been disconnected.

#### 2) INSTALL

- (1) Carry out installation in the reverse order to removal.
- (2) Bleed the air from below items.
  - ① Cylinder (boom, arm, bucket)
  - ② Swing motor
  - ③ Travel motor
  - ※ See each item removal and install.
- (3) Confirm the hydraulic oil level and recheck the hydraulic oil leak or not.



## 2. STRUCTURE (1/4)

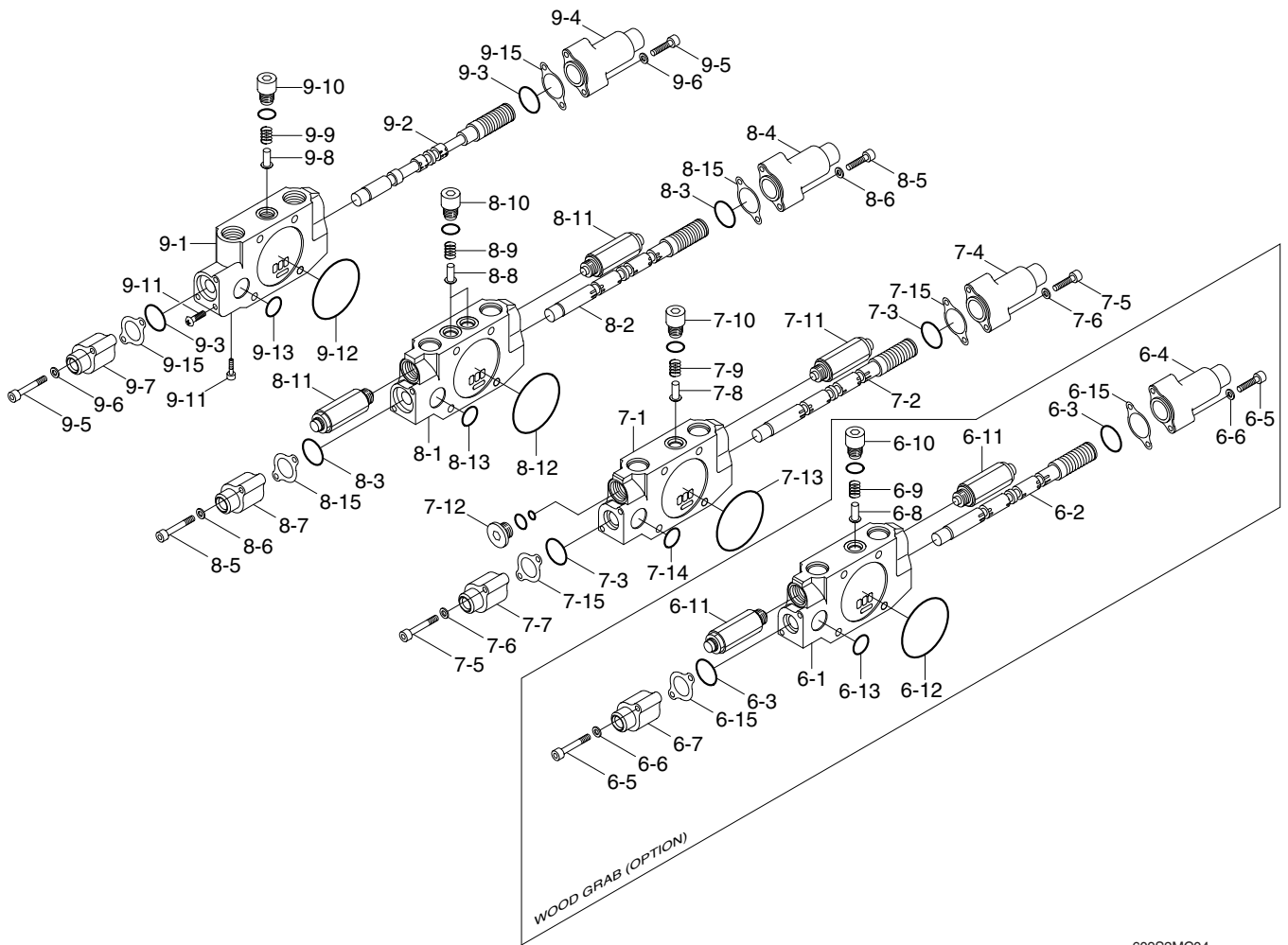


609S2MC03

1	Auto idle cover	3-1	Work block	4-8	Check poppet
1-1	Cover	3-2	Spool assy	4-9	Check spring
1-2	Orifice	3-3	O-ring	4-10	Plug
1-3	Filter	3-4	Pilot cap (A)	4-11	Main relief valve
1-4	Taper plug	3-5	Socket bolt	4-12	Cap assy
1-5	O-ring	3-6	Plain washer	4-15	Gasket
2	Swing section assy	3-7	Pilot cap (B1)	5	Rotator section assy (woodgrab)
2-1	Work block	3-8	Check poppet	5-1	Work block
2-2	Spool assy	3-9	Check spring	5-2	Spool assy
2-3	Pilot cap (A)	3-10	Plug	5-3	O-ring
2-4	Pilot cap (B1)	3-11	Plug	5-4	Pilot cap (A)
2-5	Wrench bolt	3-12	Overload relief valve	5-5	Wrench bolt
2-6	Plain washer	3-13	O-ring	5-6	Plain washer
2-7	O-ring	3-14	O-ring	5-7	Pilot cap (B1)
2-8	Check poppet	3-15	Gasket	5-8	Check poppet
2-9	Check spring	4	Inlet (P3) section assy	5-9	Check spring
2-10	Plug	4-1	Work block	5-10	Plug
2-11	Plug	4-2	Spool assy	5-11	Overload relief valve
2-12	O-ring	4-3	O-ring	5-12	O-ring
2-13	O-ring	4-4	Pilot cap (A)	5-13	O-ring
2-14	Taper plug	4-5	Wrench bolt	5-15	Gasket
2-15	Gasket	4-6	Plain washer	17	Tie bolt
3	Dozer section assy	4-7	Pilot cap (B1)	18	Nut



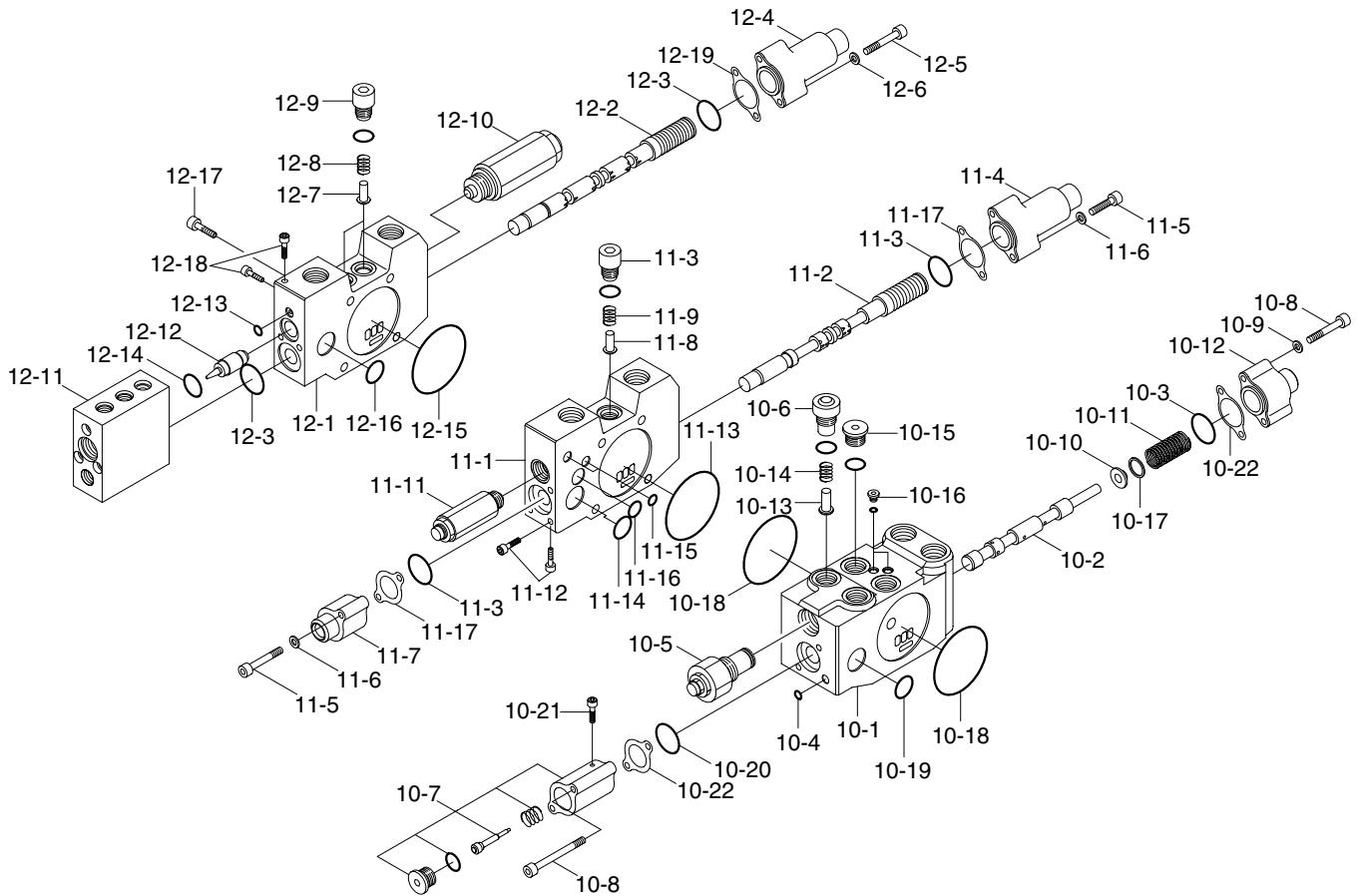
## STRUCTURE (2/4)



609S2MC04

6	Woodgrab section assy	7-6	Plain washer	8-10	Plug
6-1	Work block	7-7	Pilot cap (B1)	8-11	Overload relief valve
6-2	Spool assy	7-8	Check poppet	8-12	O-ring
6-3	O-ring	7-9	Check spring	8-13	O-ring
6-4	Pilot cap (A)	7-10	Plug	8-15	Gasket
6-5	Wrench bolt	7-11	Overload relief valve	9	Travel (L) section assy
6-6	Plain washer	7-12	Plug	9-1	Work block
6-7	Pilot cap (B1)	7-13	O-ring	9-2	Spool assy
6-8	Check poppet	7-14	O-ring	9-3	O-ring
6-9	Check spring	7-15	Gasket	9-4	Pilot cap (A)
6-10	Plug	8	Arm 1 section assy	9-5	Wrench bolt
6-11	Overload relief valve	8-1	Work block	9-6	Plain washer
6-12	O-ring	8-2	Spool assy	9-7	Pilot cap (B1)
6-13	O-ring	8-3	O-ring	9-8	Check poppet
6-15	Gasket	8-4	Pilot cap (A)	9-9	Check spring
7	Boom 2 / Breaker section	8-5	Socket bolt	9-10	Plug
7-1	Work block	8-6	Plain washer	9-11	Taper plug
7-2	Spool assy	8-7	Pilot cap (B1)	9-12	O-ring
7-3	O-ring	8-8	Check poppet	9-13	O-ring
7-4	Pilot cap (A)	8-9	Check spring	9-15	Gasket
7-5	Wrench bolt				

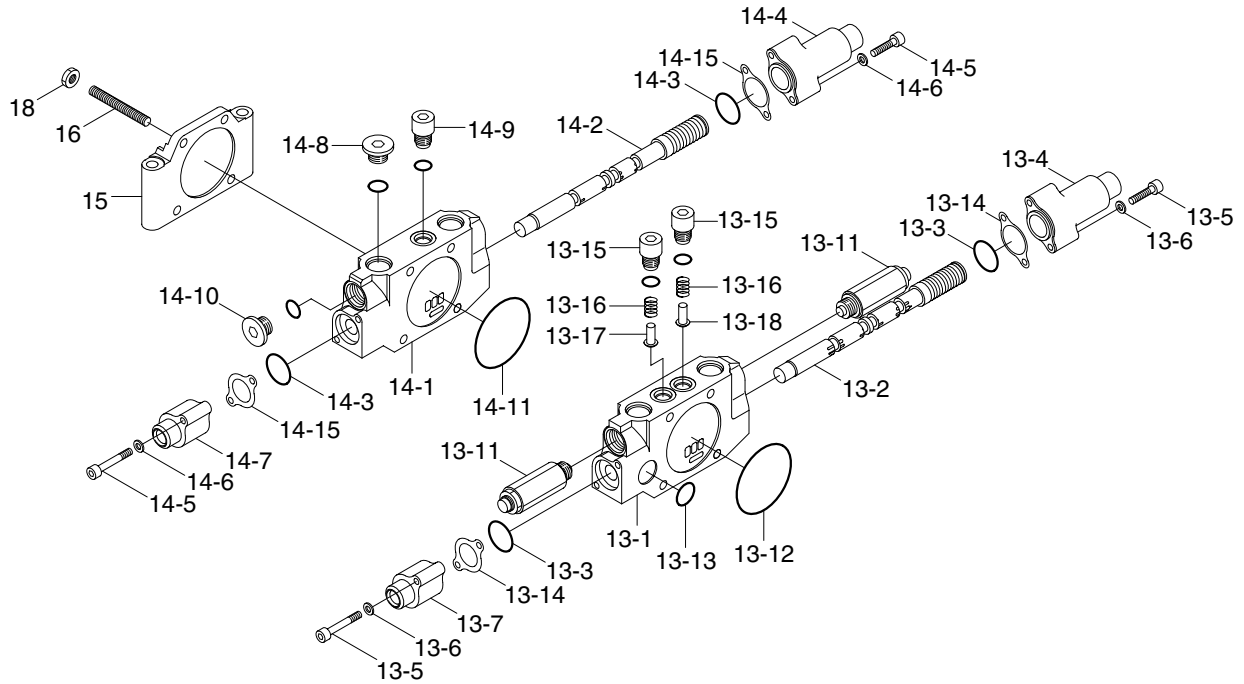
## STRUCTURE (3/4)



609S2MC05

10 Inlet (P1, P2) section assy	10-21 Taper plug	12 Boom 1 block
10-1 Work block	10-22 Gasket	12-1 Work block
10-2 Spool assy	11 Travel (R) section assy	12-2 Spool assy
10-3 O-ring	11-1 Work block	12-3 O-ring
10-4 O-ring	11-2 Spool assy	12-4 Pilot cap (A)
10-5 Main relief valve	11-3 O-ring	12-5 Wrench bolt
10-6 Plug	11-4 Pilot cap (A)	12-6 Plain washer
10-7 Check cap assy (TS)	11-5 Wrench bolt	12-7 Check poppet
10-8 Wrench bolt	11-6 Plain washer	12-8 Check spring
10-9 Plain washer	11-7 Pilot cap (B1)	12-9 Plug
10-10 Spring seat	11-8 Check poppet	12-10 Overload relief valve
10-11 Pilot spring	11-9 Check spring	12-11 Holding valve assy (A)
10-12 Pilot cap	11-10 Plug	12-12 Holding valve assy (B)
10-13 Check poppet	11-11 Overload relief valve	12-13 O-ring
10-14 Check spring	11-12 Taper plug	12-14 O-ring
10-15 Plug	11-13 O-ring	12-15 O-ring
10-16 Plug	11-14 O-ring	12-16 O-ring
10-17 Spring shim	11-15 O-ring	12-17 Wrench bolt
10-18 O-ring	11-16 O-ring	12-18 Taper plug
10-19 O-ring	11-17 Gasket	12-19 Gasket
10-20 O-ring		

## STRUCTURE (4/4)



609S2MC06

13	Bucket block assy	13-14	Gasket	14-6	Plain washer
13-1	Bucket block	13-15	Plug	14-7	Pilot cap (B1)
13-2	Bucket spool assy	13-16	Check spring	14-8	Plug (Pf 1/2)
13-3	O-ring	13-17	Check poppet	14-9	Plug
13-4	Pilot cap (A)	13-18	Check poppet	14-10	Plug
13-5	Wrench bolt	14	Arm 2 section assy	14-11	O-ring
13-6	Plain washer	14-1	Work block (Ae)	14-15	Gasket
13-7	Pilot cap (B1)	14-2	Arm 2 spool assy	15	End cover
13-11	Overload relief valve	14-3	O-ring	16	Tie bolt
13-12	O-ring	14-4	Pilot cap (A)	18	Nut
13-13	O-ring	14-5	Wrench bolt		

### 3. DISASSEMBLY AND ASSEMBLY

#### 1) GENERAL PRECAUTIONS

- (1) All hydraulic components are manufactured to a high precision. Consequently, before disassembling and assembling them, it is essential to select an especially clean place.
- (2) In handling a control valve, pay full attention to prevent dust, sand, etc. from entering into it.
- (3) When a control valve is to be removed from the machine, apply caps and masking seals to all ports. Before disassembling the valve, recheck that these caps and masking seals are fitted completely, and then clean the outside of the assembly. Use a proper bench for working. Spread paper or a rubber mat on the bench, and disassemble the valve on it.
- (4) Support the body section carefully when carrying or transferring the control valve. Do not lift by the exposed spool, end cover section etc.
- (5) After disassembling and assembling of the component it is desired to carry out various tests (for the relief characteristics, leakage, flow resistance, etc.), but hydraulic test equipment is necessary for these tests. Therefore, even when its disassembling can be carried out technically, do not disassemble such components that cannot be tested, adjusted, and so on. Additionally one should always prepare clean cleaning oil, hydraulic oil, grease, etc. beforehand.

#### 2) TOOLS

Before disassembling the control valve, prepare the following tools beforehand.

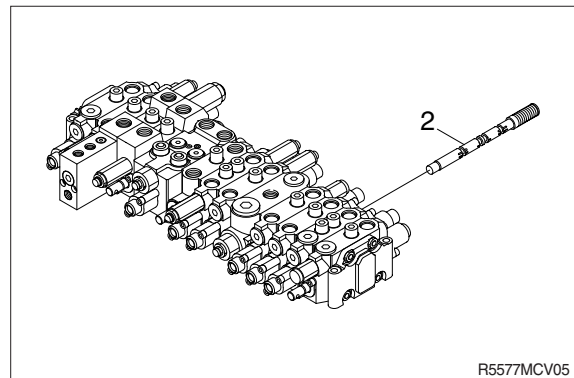
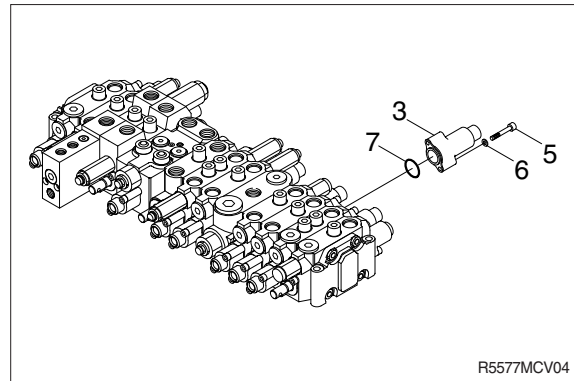
Name of tool	Quantity	Size (mm)
Vice mounted on bench (soft jaws)	1 unit	
Hexagon wrench	Each 1 piece	5, 6, 10, 12 and 14
Socket wrench	Each 1 piece	5 and 6
Spanner	Each 1 piece	13, 21 and 30
Rod	1 piece	Less than 10 × 250



### 3) DISASSEMBLY

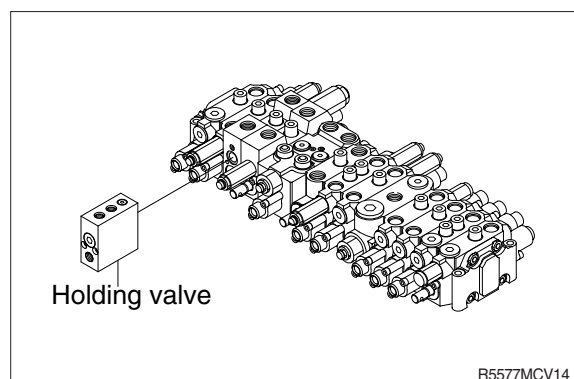
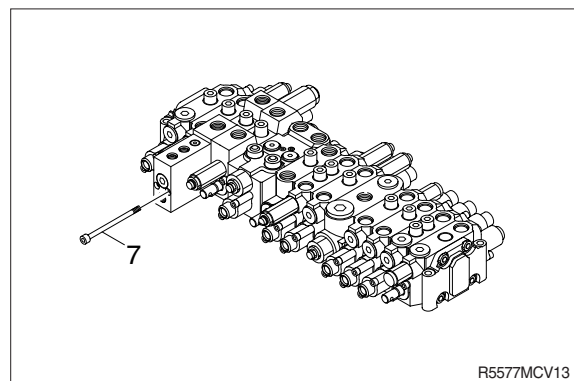
#### (1) Disassembly of spools (pilot type)

- ① Loosen hexagon socket head bolts (5) with washer (6).  
(Hexagon wrench : 5 mm)
- ② Remove the pilot cover (3).
  - ※ Pay attention not to lose the O-ring (7) under the pilot cover.
- ③ Remove the spool assembly (2) from the body by hand slightly.
  - ※ When extracting each spool from its body, pay attention not to damage the body.
  - ※ When extracting each spool assembly, it must be extracted from spring side only.
  - ※ When any abnormal parts are found, replace it with completely new spool assembly.
  - ※ When disassembled, tag the components for identification so that they can be reassembled correctly.



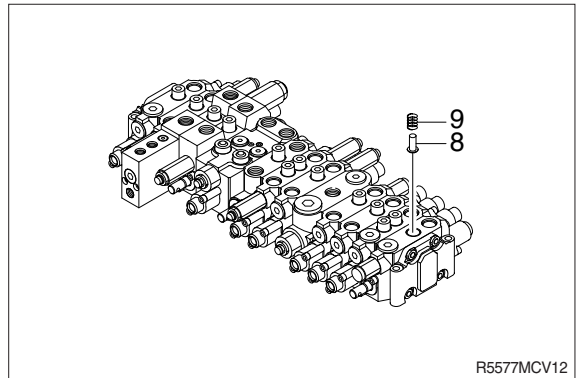
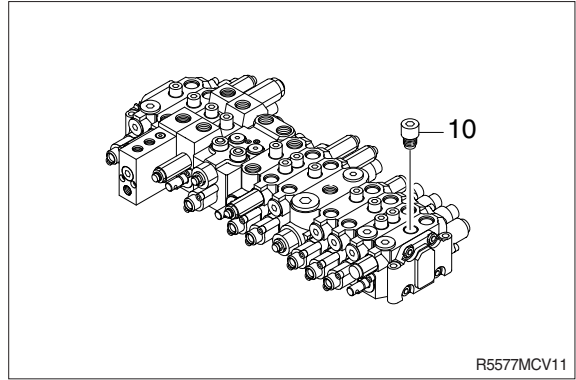
#### (2) Disassembly of holding valve (boom 1)

- ① Loosen hexagon socket head bolts (7).  
(Hexagon wrench : 5 mm)
- ② Remove the holding valve.
  - ※ Pay attention not to lose the O-ring and the poppet under the pilot cover.
  - ※ Pay attention not to damage the "piston A" under pilot cover.
  - ※ When any abnormal parts are found, replace it with completely new holding valve assembly.
  - ※ When disassembled, tag the components for identification so that they can be reassembled correctly.



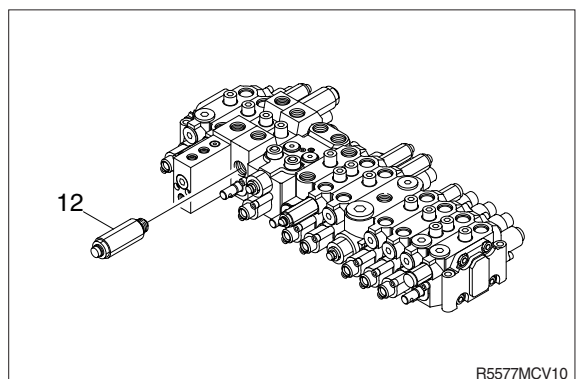
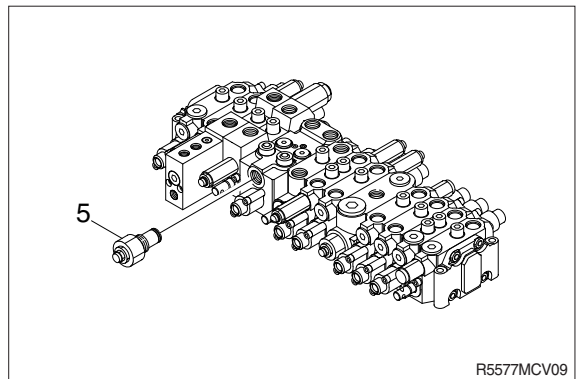
### (3) Disassembly of the load check valve and the negative relief valve

- ① The load check valve
  - a. Fix the body to suitable work bench.
    - ※ Pay attention not to damage the body.
  - b. Loosen the plug (10)  
(Hexagon wrench : 10 mm).
  - c. Remove the spring (9) and the load check valve (8) with pincers or magnet.



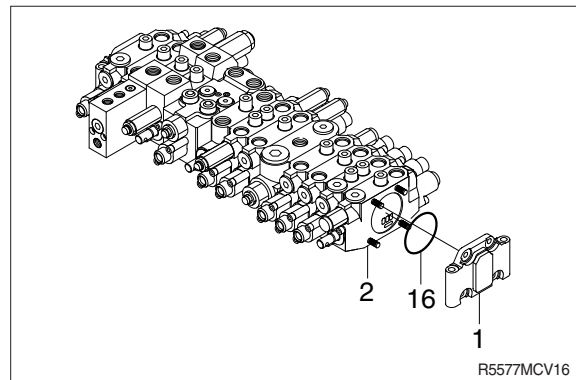
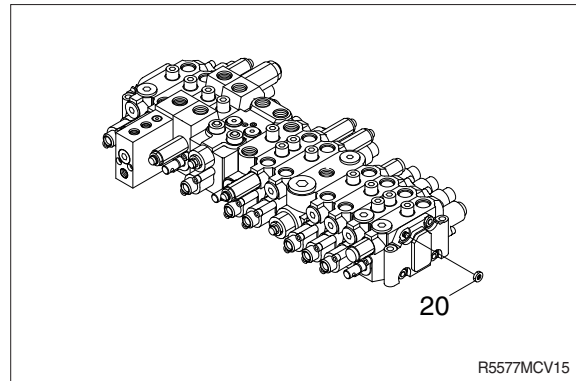
### (4) Disassembly of the main and overload relief valve

- ① Fix the body to suitable work bench.
  - ② Remove the main relief valve (5).  
(Spanner : 30 mm)
  - ③ Remove the overload relief valve (12).  
(Spanner : 22 mm)
- ※ When disassembled, tag the relief valve for identification so that they can be reassembled correctly.
  - ※ Pay attention not to damage seat face.
  - ※ When any abnormal parts are found, replace it with completely new relief valve assembly.



### (5) Disassembly of the block assembly

- ① Fix the body to suitable work bench.
  - ② Remove the nut (20).  
(Spanner : 13 mm)
- ※ The work block is assembled by two sets of tie-bolts.
- ③ Remove the end cover (1) and the work blocks.
- ※ Do not removed the tie bolt.
  - ※ Pay attention not to lose the O-ring (16).



## **(6) Inspection after disassembly**

Clean all disassembled parts with clean mineral oil fully, and dry them with compressed air. Then, place them on clean papers or cloths for inspection.

### **① Control valve**

- a. Check whole surfaces of all parts for burrs, scratches, notches and other defects.
- b. Confirm that seal groove faces of body and block are smooth and free of dust, dent, rust etc.
- c. Correct dents and damages and check seat faces within the body, if any, by lapping.  
※ Pay careful attention not to leave any lapping agent within the body.
- d. Confirm that all sliding and fitting parts can be moved manually and that all grooves and paths are free foreign matter.
- e. If any spring is broken or deformed, replace it with new one.
- f. When a relief valve does not function properly, repair it, following it's the prescribed disassembly and assembly procedures.
- g. Replace all seals and O-rings with new ones.

### **② Relief valve**

- a. Confirm that all seat faces at ends of all poppets and seats are free of defects and show uniform and consistent contact faces.
- b. Confirm manually that main poppet and seat can slide lightly and smoothly.
- c. Confirm that outside face of main poppet and inside face of seat are free from scratches and so on.
- d. Confirm that springs are free from breakage, deformation, and wear.
- e. Confirm that orifices of main poppet and seat section are not clogged with foreign matter.
- f. Replace all O-rings with new ones.
- g. When any light damage is found in above inspections, correct it by lapping.
- h. When any abnormal part is found, replace it with a completely new relief valve assembly.



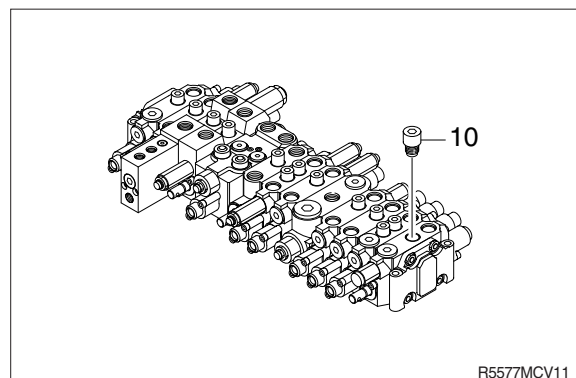
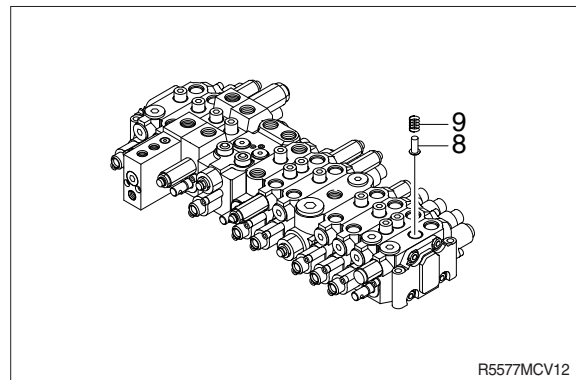
## 4) ASSEMBLY

### (1) General precaution

- ① In this assembly section, explanation only is shown.  
For further understanding, please refer to the figures shown in the previous structure & disassembly section.
- ② Pay close attention to keeping all seals free from handling damage and inspect carefully for damage before using them.
- ③ Apply clean grease or hydraulic oil to the seal so as to ensure it is fully lubricated before assembly.
- ④ Do not stretch seals so much as to deform them permanently.
- ⑤ In fitting O-rings, pay close attention not to roll them into their final position in addition, a twisted O-ring cannot easily untwist itself naturally and could thereby cause inadequate sealing and thereby both internal and external oil leakage.
- ⑥ Tighten fitting bolts for all sections with a torque wrench adjusted to the respective tightening torque.
- ⑦ Do not reuse removed O-rings and seals.

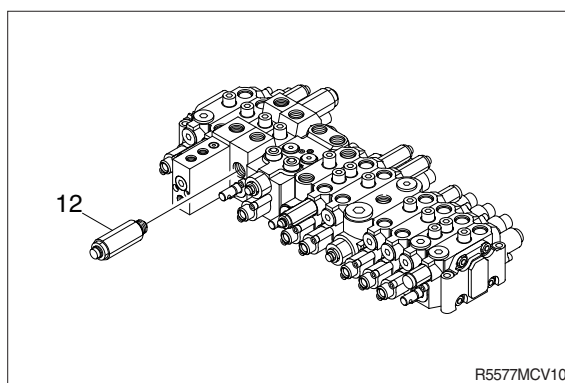
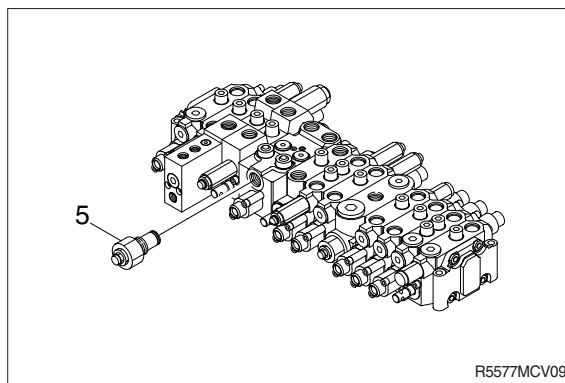
### (2) Load check valve

- ① Assemble the load check valve (8) and spring (9).
- ② Put O-rings on to plug (10).
- ③ Tighten plug to the specified torque.
  - Hexagon wrench : 8 mm
  - Tightening torque : 3.7 kgf · m  
(26.7 lbf · ft)



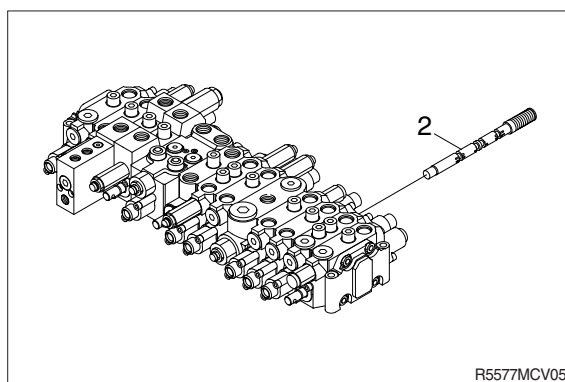
### (3) Main relief, port relief valves

- ① Install the main relief valve (5).
  - Spanner : 30 mm
  - Tightening torque : 6 kgf · m (43.4 lbf · ft)
- ② Install the over load relief valve (12).



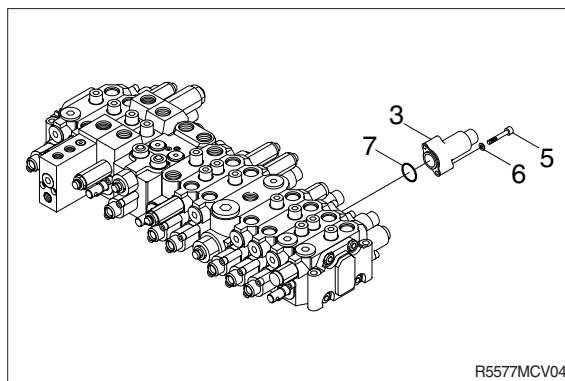
### (4) Main spools

- ① Carefully insert the previously assembled spool assemblies into their respective bores within of body.
- ※ Fit spool assemblies into body carefully and slowly. Do not under any circumstances push them forcibly in.



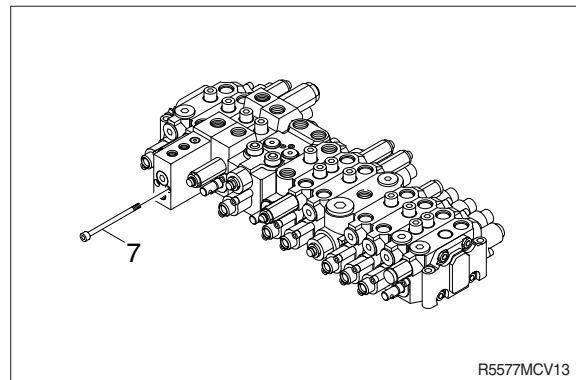
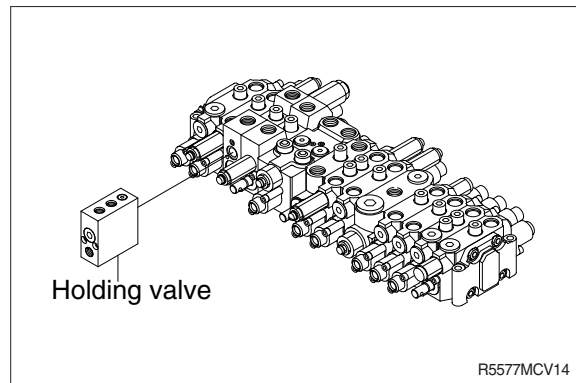
### (5) Covers of pilot type

- ① Fit spool covers (3) tighten the hexagonal socket head bolts (5) to the specified torque.
- Hexagon wrench : 5 mm
  - Tightening torque : 1~1.1 kgf · m  
(7.2~7.9 lbf · ft)
- ※ Confirm that O-rings (7) have been fitted.



## (6) Holding valve

- ① Fit the holding valve to the body and tighten hexagon socket head bolt (7) to specified torque.
  - Hexagon wrench : 5 mm
  - Tightening torque : 1.1 kgf · m (7.9 lbf · ft)



## GROUP 5 SWING DEVICE

### 1. REMOVAL AND INSTALL OF MOTOR

#### 1) REMOVAL

- (1) Lower the work equipment to the ground and stop the engine.
- (2) Operate the control levers and pedals several times to release the remaining pressure in the hydraulic piping.
- (3) Loosen the breather slowly to release the pressure inside the hydraulic tank.

**▲ Escaping fluid under pressure can penetrate the skin causing serious injury.**

※ When pipes and hoses are disconnected, the oil inside the piping will flow out, so catch it in oil pan.

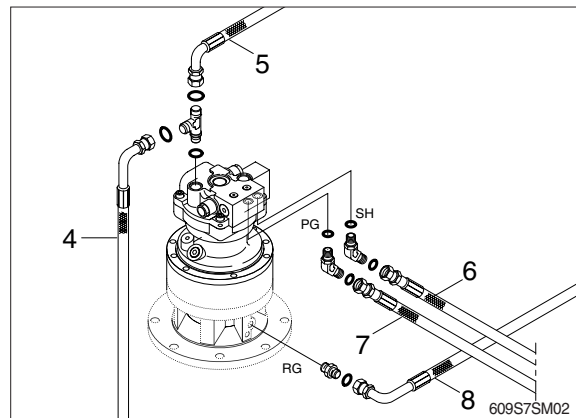
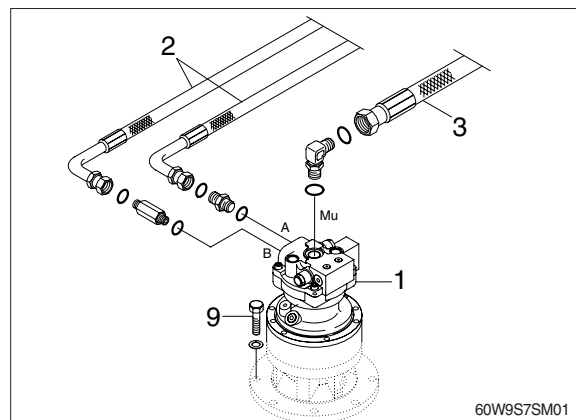
- (4) Disconnect hose assembly (2, 3).
- (5) Disconnect pilot line hoses (4, 5, 6, 7, 8).
- (6) Sling the swing motor assembly (1) and remove the swing motor mounting bolts (9).

※ Motor device weight : 23 kg (51 lb)

- (7) Remove the swing motor assembly.  
※ When removing the swing motor assembly, check that all the piping have been disconnected.

#### 2) INSTALL

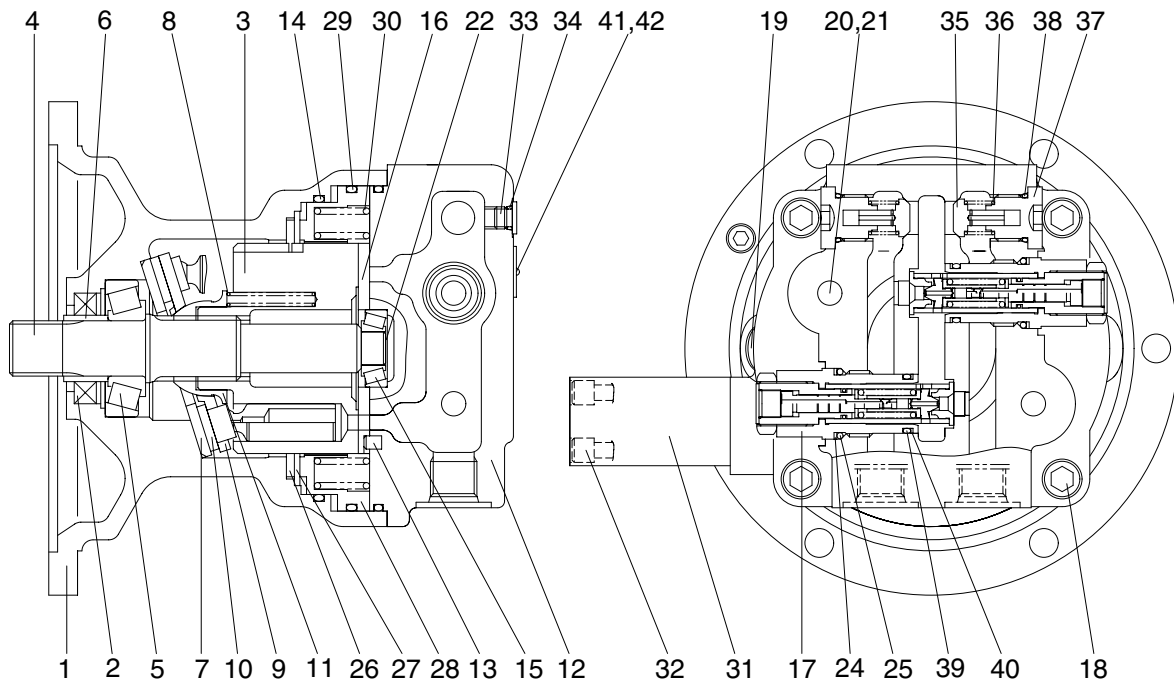
- (1) Carry out installation in the reverse order to removal.
- (2) Bleed the air from the swing motor.
  - ① Remove the air vent plug.
  - ② Pour in hydraulic oil until it overflows from the port.
  - ③ Tighten plug lightly.
  - ④ Start the engine, run at low idling and check oil come out from plug.
  - ⑤ Tighten plug fully.
- (3) Confirm the hydraulic oil level and check the hydraulic oil leak or not.





## 2. DISASSEMBLY AND ASSEMBLY OF SWING MOTOR

### 1) STRUCTURE

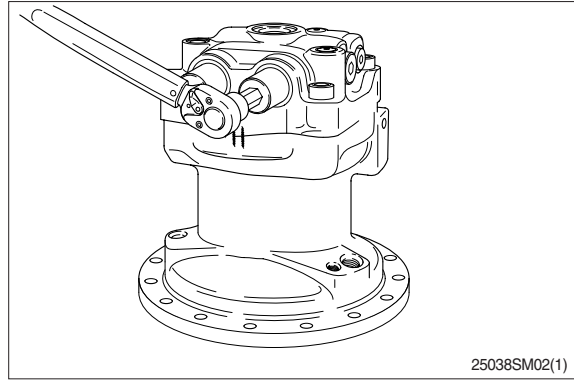


555K2SM03

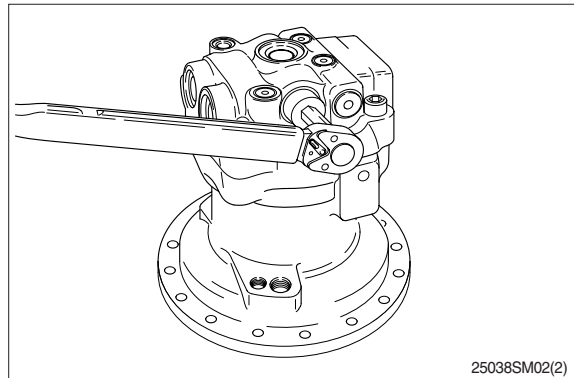
1	Body	15	Taper bearing	29	O-ring
2	Oil seal	16	Valve plate	30	Spring
3	Cylinder block	17	Relief valve assy	31	Time delay valve
4	Shaft	18	Socket bolt	32	Socket bolt
5	Taper bearing	19	Plug	33	Plug
6	Bushing	20	Plug	34	O-ring
7	Shoe plate	21	O-ring	35	Valve
8	Spring	22	Shim	36	Spring
9	Set plate	23	Plug	37	Plug
10	Piston shoe assy	24	Back up ring	38	O-ring
11	Ball guide	25	O-ring	39	O-ring
12	Rear cover	26	Friction plate	40	Back up ring
13	Pin	27	Plate	41	Name plate
14	O-ring	28	Parking piston	42	Rivet

## 2) DISASSEMBLY

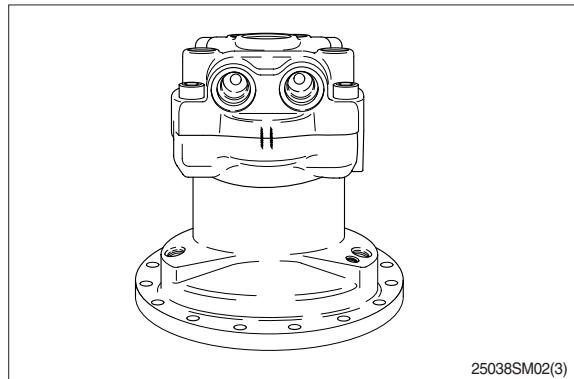
- (1) Removal of relief valve assembly  
Remove cap of relief valve assembly (17) with 14 mm hexagonal wrench.  
※ Assemble removed relief valve assembly (17) to original state when reassembling.



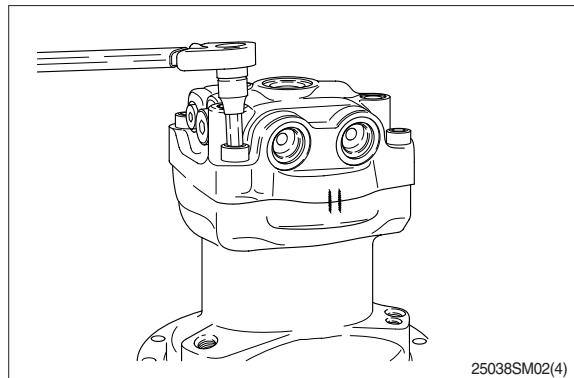
- (2) Removal of make up valve and bypass valve assembly  
Loosen plug (37) with 14 mm hexagonal wrench, and remove check valve (35) and spring (36).



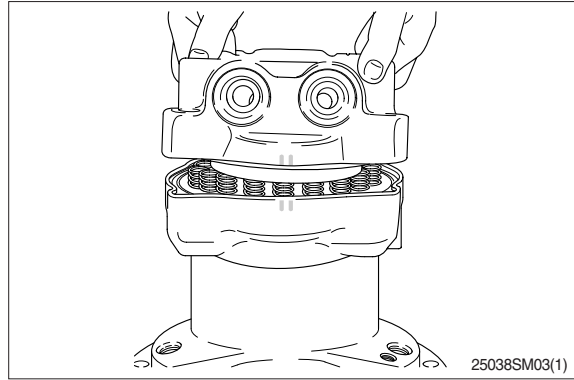
- (3) Marking at swing motor  
Before disassembling motor, make a matching mark between cover (12) and housing (1) for easy reassembling.



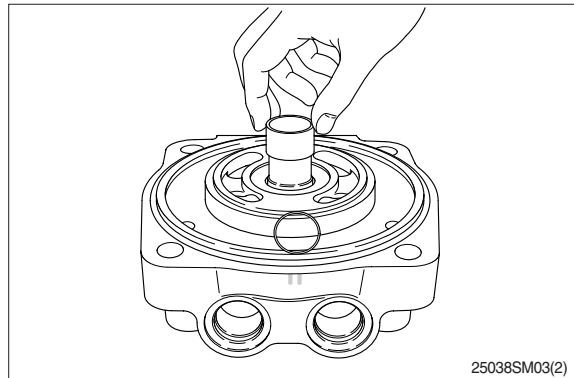
- (4) Remove mounting bolts of cover  
Loosen hexagon socket bolt (18) with 12 mm hexagonal wrench.



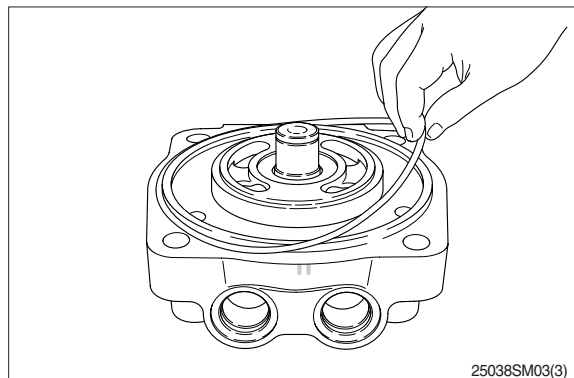
- (5) Removal of cover assembly  
Place shaft of motor assembly to downward and take cover (12) out.



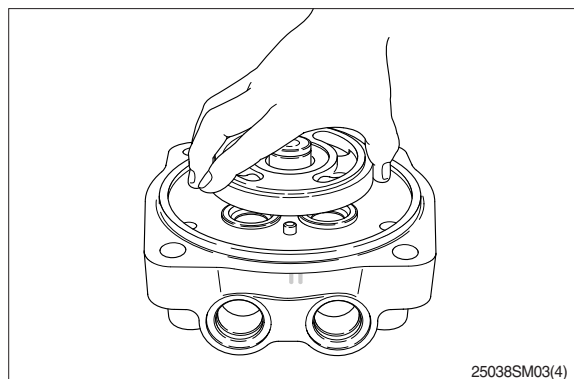
- (6) Remove shim (22) remove inner race of needle bearing (15) by bearing puller.



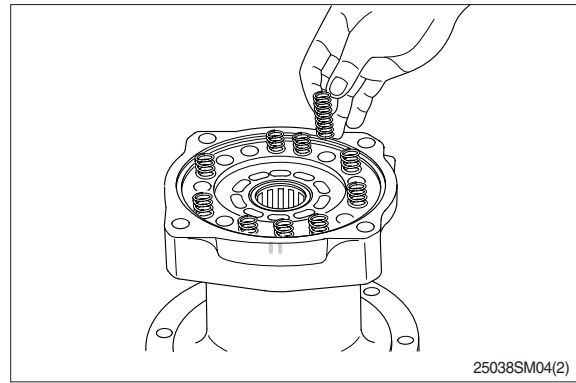
- (7) Remove O-ring (29) from cover.



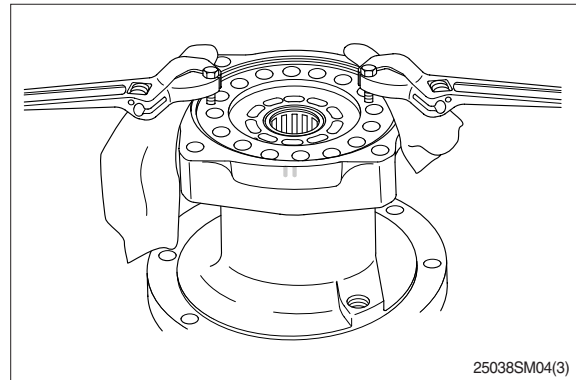
- (8) Remove balance plate  
Valve plate (16) is adhered on end surface of cylinder (3) by oil viscosity. Take off balance plate (16) with hands.  
Assembling method of balance plate (16) depends on cover (12).  
(Band groove and round groove of high · low pressure transmission area)  
Before removing, check and record location of balance plate (16) to prevent mis-assembling.



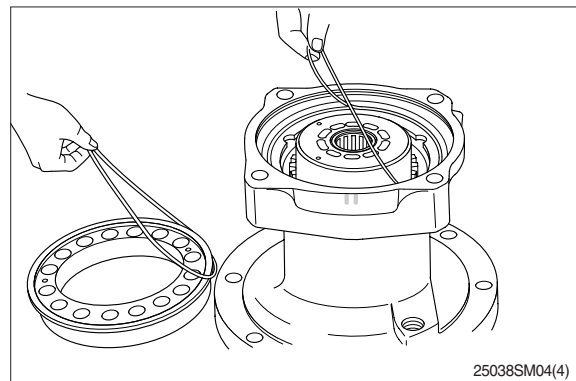
- (9) Removal of spring (30, brake area)  
Remove spring (30) from piston (28).  
Check and record original position of  
each spring (30) for correct assembling.



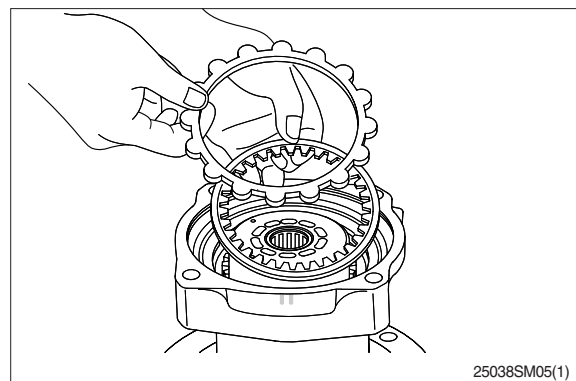
- (10) Removal of brake piston  
When removing piston (28) from housing  
(1), there is a sliding resistance against  
tightening of O-rings (14,29). Use tap  
hole on piston (28) as shown in the pic-  
ture.



- (11) Remove O-rings (14, 29) from piston (28)  
and housing (1).



- (12) Remove friction plate (26) and lining plate  
(27) from housing (1).

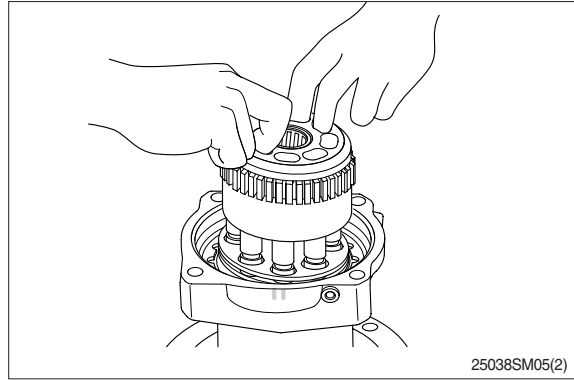




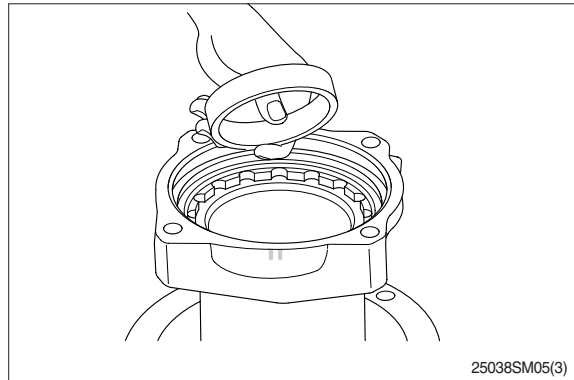
(13) Removal of cylinder assembly

Holding end of cylinder assembly (3) with hand, draw out cylinder assembly from housing.

- ※ Oil seal (2) and outer race of taper roller bearing (15) are left inside of housing.
- ※ End surface of cylinder (3) is sliding face . So, protect the surface with a scrap of cloth against damage.
- ※ Make a matching mark on piston hole of cylinder (3) and piston assembly (10) to fit piston into the same hole when reassembling.



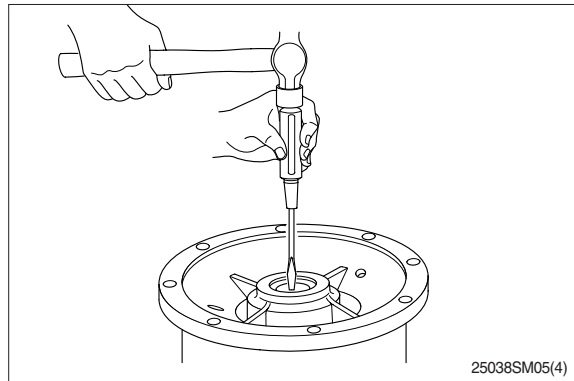
(14) Separate outer race of taper roller bearing (5) from housing.



(15) Removal of oil seal

Remove oil seal (2) from housing (1) with driver and hammer.

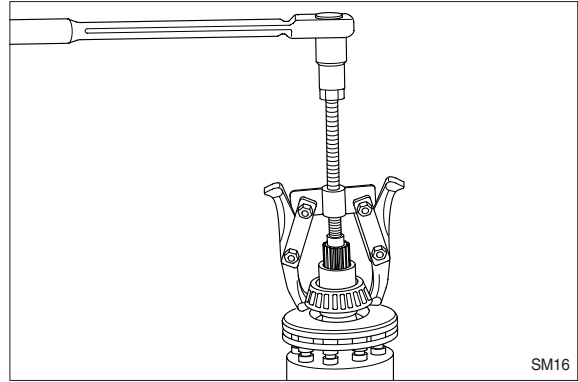
- ※ **Do not reuse oil seal after removal.**



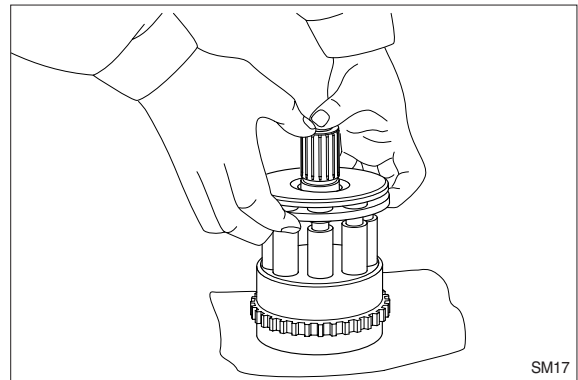
**(16) Disassembly of cylinder assembly**

- ① Removal of inner race of taper roller bearing (5).

Lift out cylinder block (3) with 2 inner race of roller bearing (5) by applying gear puller at the end of spline in the cylinder.

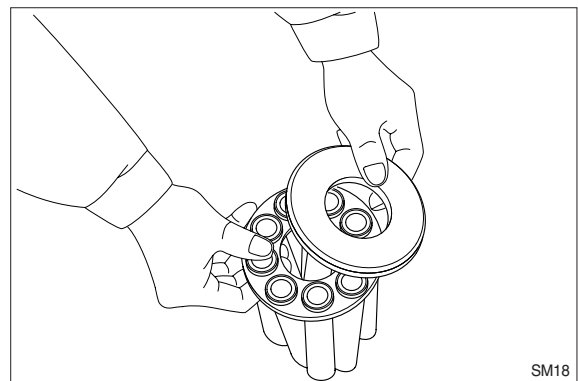


- ② Separate shoe plate (7), piston assembly (10), set plate (9) from cylinder block (3).

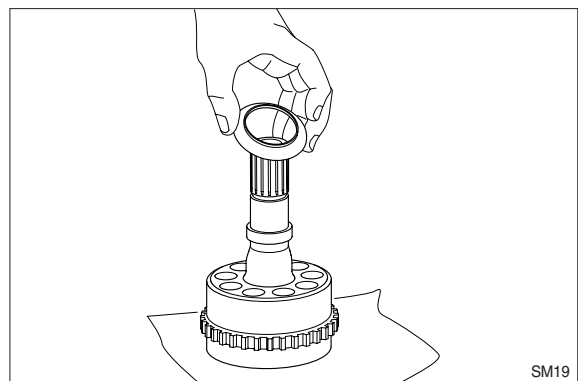


- ③ Get shoe plate (7) slide on sliding face of piston assembly (10) and remove it.

※ Be cautious not to damage on sliding face of cam plate.



- ④ Remove ball guide (11) from cylinder block (3).



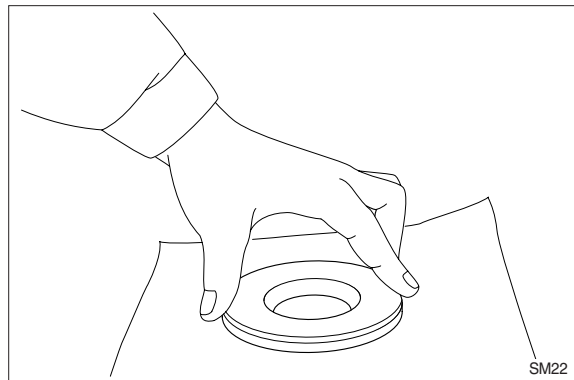
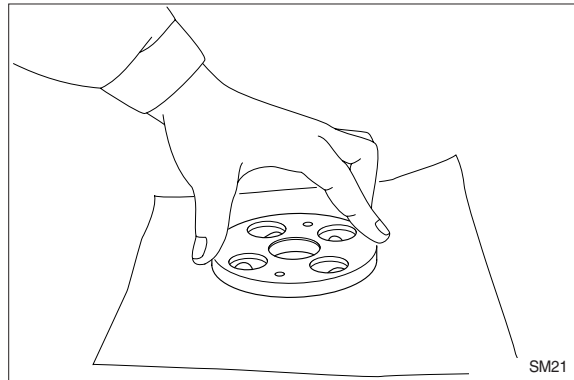
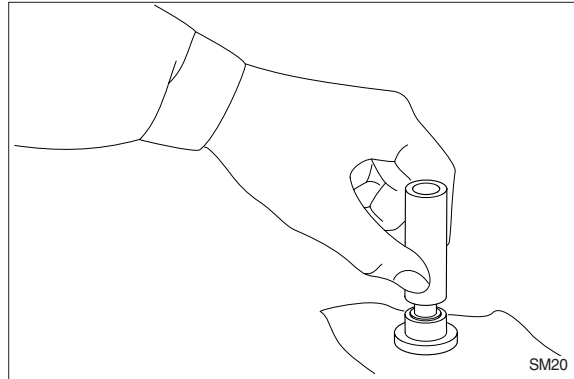
This completes disassembly.

### 3) ASSEMBLY

#### (1) Preparation

Before reassembling, perform below procedure.

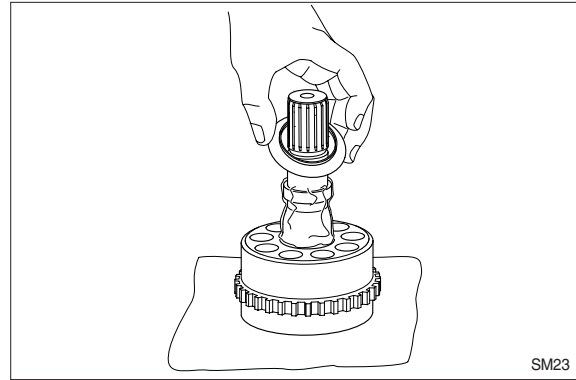
- ① Check each part for damage caused by using or disassembling. If damaged, eliminate damage by grinding with proper sandpaper, wash them with cleaning oil and dry with compressed air.
- ② Replace seal with new one.
- ③ Grind sliding face of piston assembly (10), balance plate (16) and shoe plate (7) with sandpaper #2000.



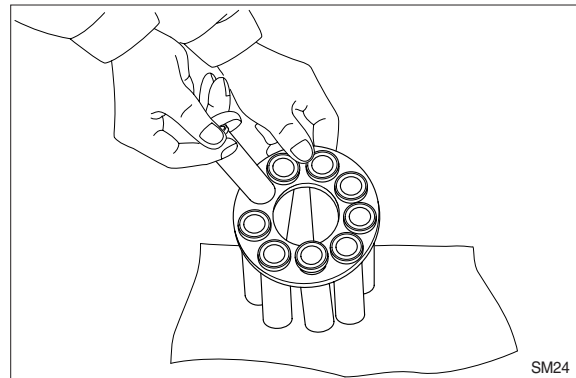
- ④ When assembling, lubricate with specified clean hydraulic oil.
- ⑤ When assembling piston assembly (10) to piston hole of cylinder block (3), check matching mark between them.

## (2) Cylinder assembly

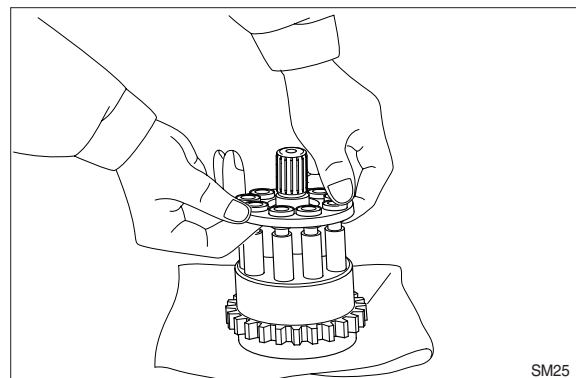
- ① Lubricate grease on round area (Contacting area with ball guide (11)) of cylinder block (3) and assemble spring (4).



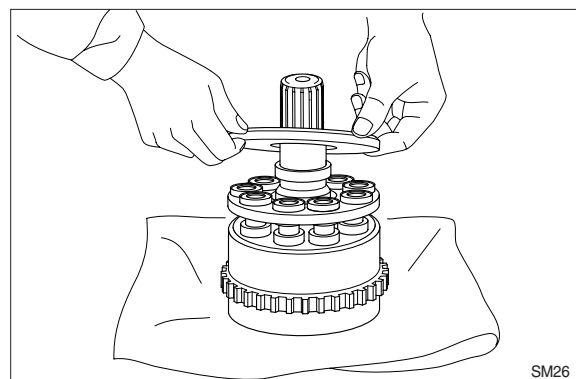
- ② Insert piston assembly (10) in hole of set plate (9).



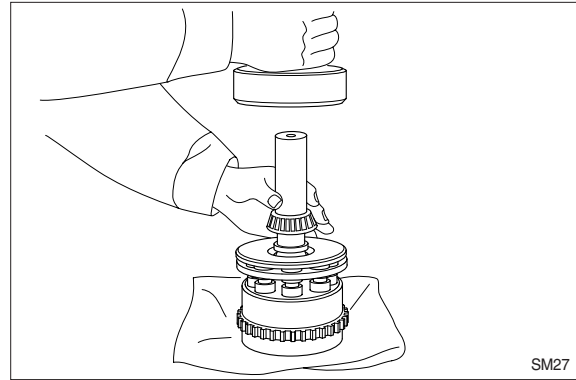
- ③ Assemble piston assembly (10) and set plate (9) to cylinder block (3). When assembling, check matching mark between them. Before assembling, lubricate specified hydraulic oil in piston hole of cylinder block (3).



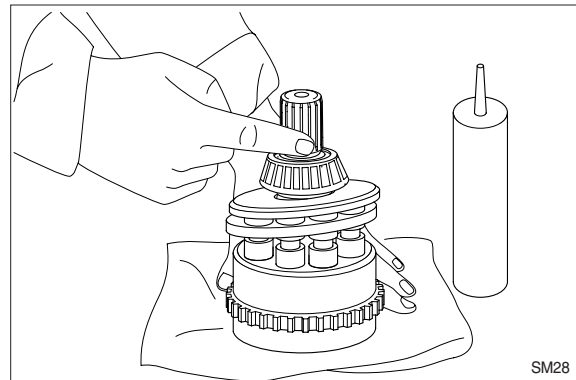
- ④ Lubricate specified hydraulic oil on shoe sliding face of piston assembly (10) and assemble shoe plate (7).



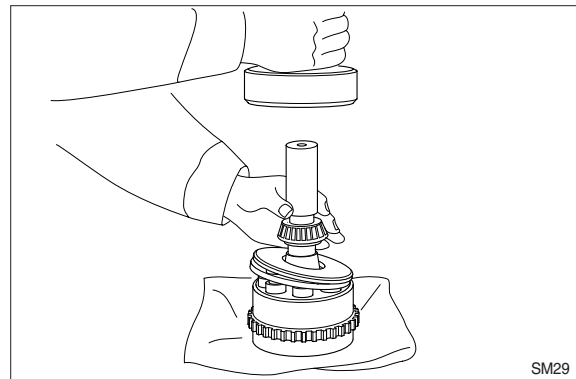
- ⑤ Assemble inner race of taper roller bearing (5) to cylinder block (3).



- ⑥ Apply loctite to bearing mounting area of inner race of cylinder block (3) lightly.



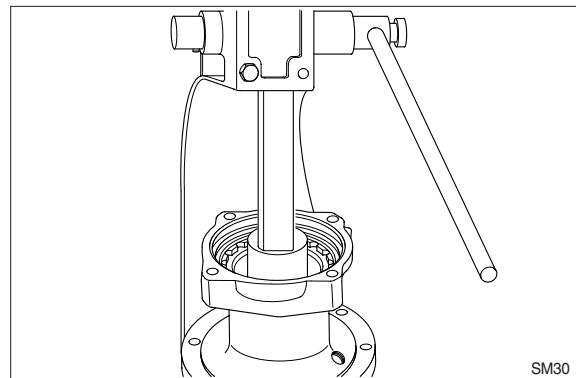
- ⑦ Assemble bushing (6) to cylinder block (3).



### (3) Oil seal

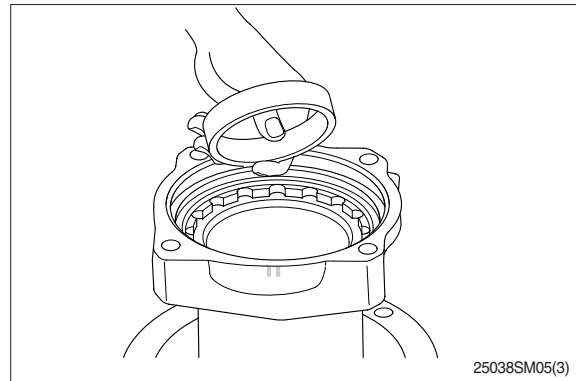
Apply three bond of white color on outer surface of oil seal (2) and assemble and insert it.

- ※ Before assembling, lubricate lip of oil seal with grease.





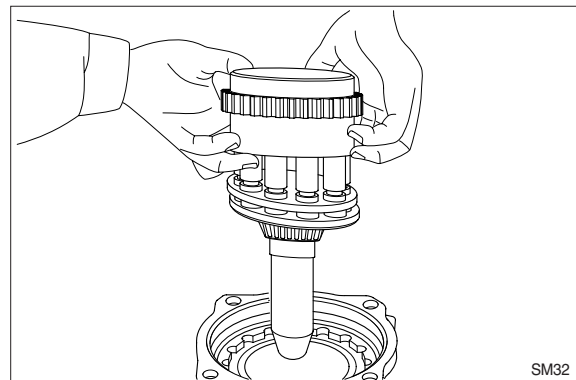
- (4) Assemble outer race of taper roller bearing (5) to motor housing (1).



**(5) Cylinder assembly**

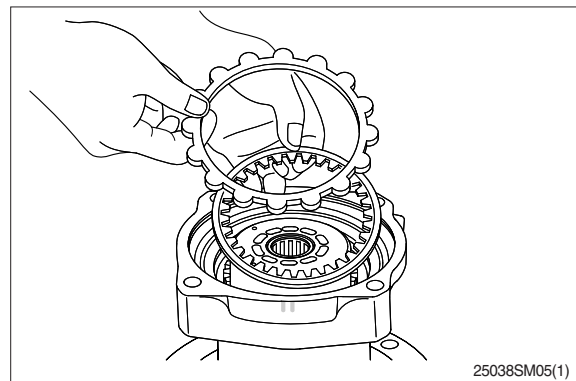
Hold end of cylinder assembly(3) with hands and assemble cylinder assembly to housing(1). Be careful to prevent damage of seal by spline of shaft.

- ※ When assemble cylinder assembly, spline shaft of cylinder is protruded from end of housing, therefore put pads with length 30~50mm under bottom of housing.



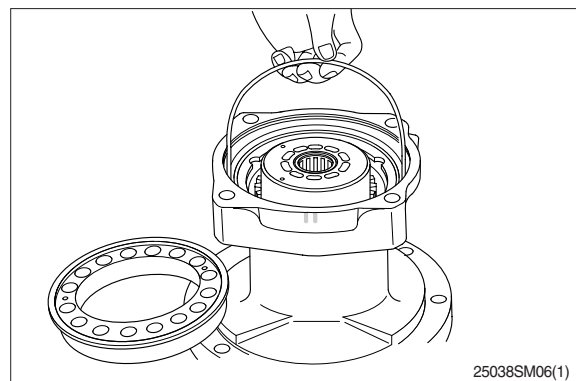
- (6) Assemble friction plate (26) and lining plate (27).

- ※ Lubricate specified hydraulic oil on each side.



- (7) Insert O-rings (14,29) into housing (1) and piston (28).

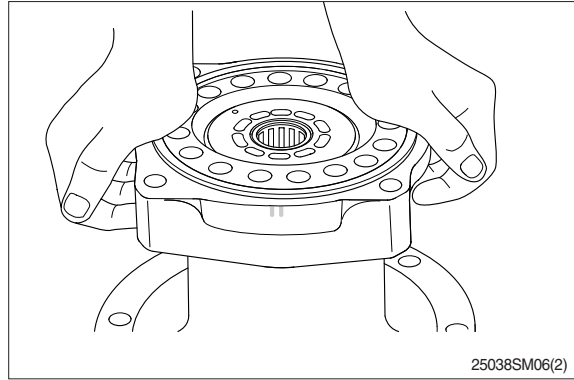
- ※ Lubricate O-ring with grease.



**(8) Brake piston**

Lubricate specified hydraulic oil on outer sliding face of piston (28) and assemble brake piston to housing (1).

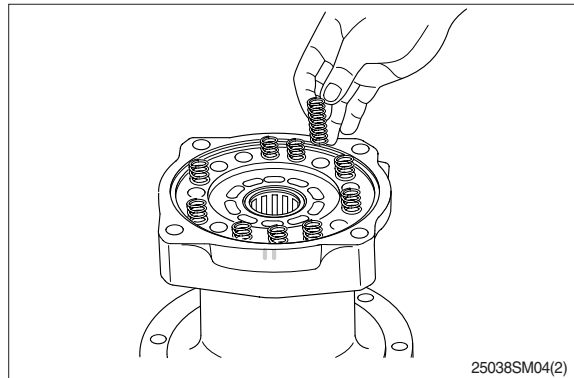
- ※ It is too tight to assemble piston (10) because O-rings (14,29) are fitted, therefore it is recommended to push piston (28) horizontally by hands at once.



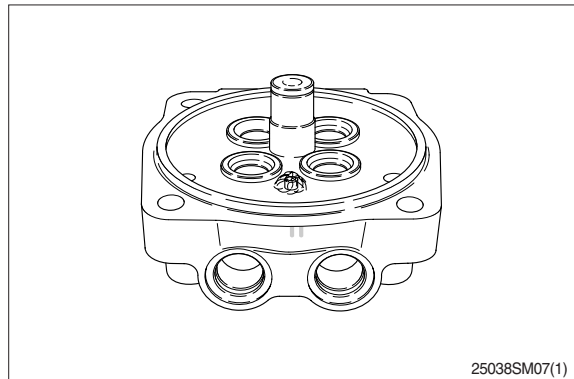
**(9) Spring (30, brake unit)**

Assemble spring (30) to piston (28) of brake unit.

- ※ Insert spring (30) into original position.



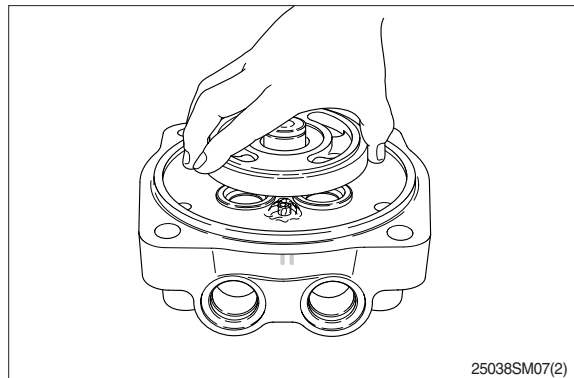
- (10) Lubricate locating pin for antirotation of valve plate (16) of cover (12) with grease sufficiently and install locating pin to housing.



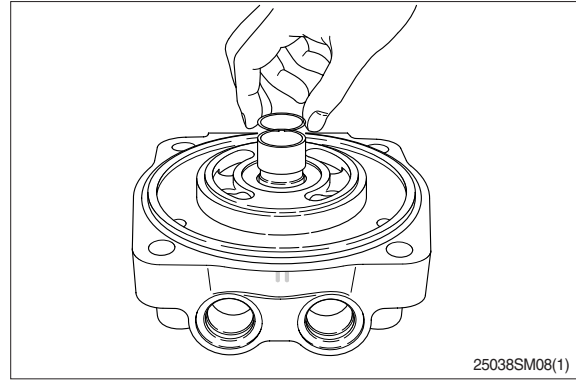
**(11) Balance plate**

Assemble valve plate (16) to cover (12).

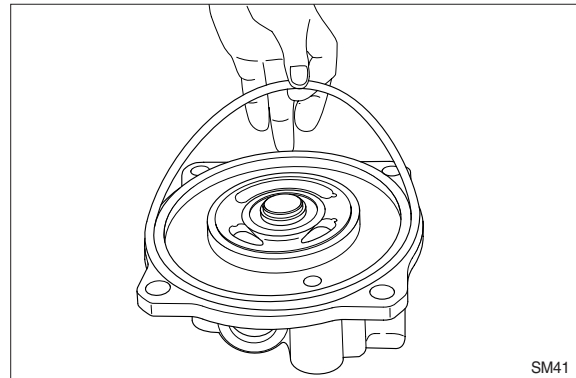
- ※ Be cautious of assembling direction.



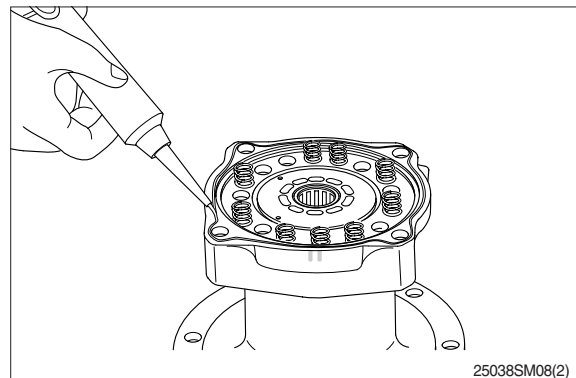
- (12) Assemble inner race of needle bearing (15) and shim (22) to cover (12).



- (13) Assemble O-ring (29) to cover (12).  
※ Lubricate O-ring with grease.



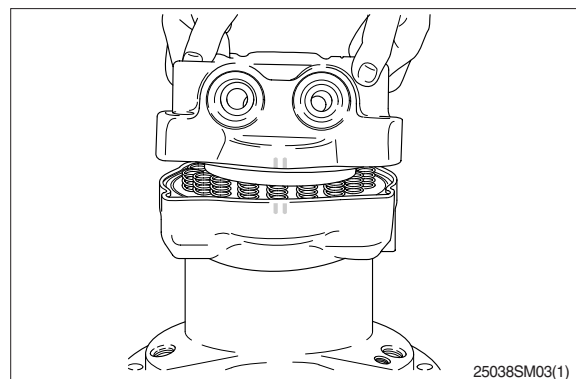
- (14) Apply three bond of white color to distinguish oil leakage from remaining oil in bolt hole of cover (12).



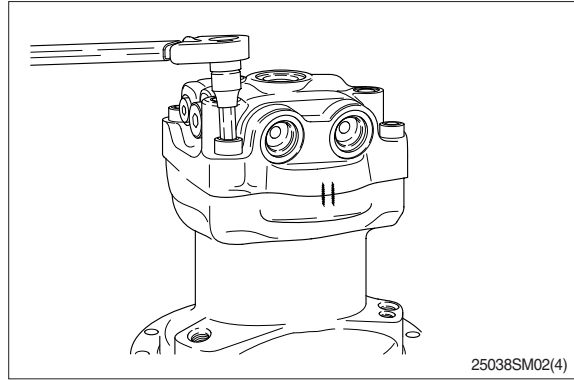
### (15) Cover

Assemble cover (12) and valve plate (16) to housing (1) lightly, holding them up with hands.

- ※ When assembling, be careful not to detach valve plate (16) and bushing (6) from cover (12).
- ※ Fit matching marks on housing (1) and cover (12) made before disassembling.

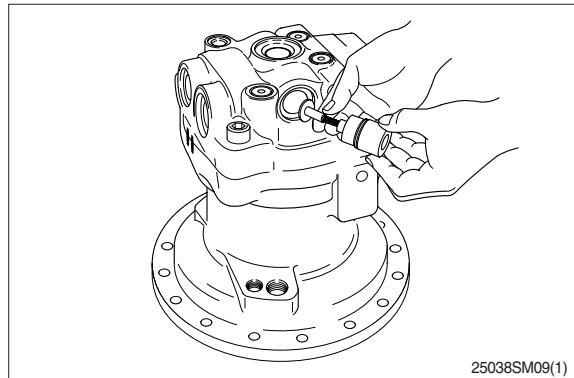


- (16) Tighten cover (12) and housing (1) with 12 mm hexagonal socket bolt (18).
- Tightening torque : 16 kgf · m (116 lbf · ft)



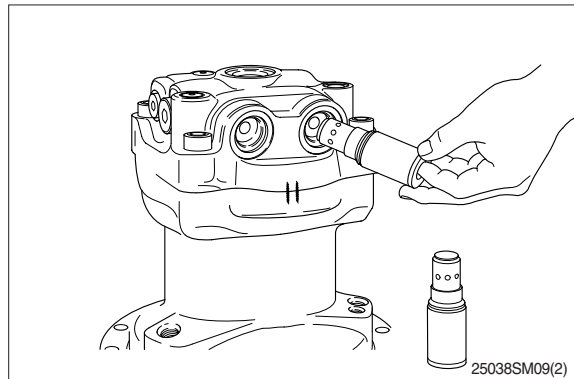
**(17) Make up valve**

- Assemble check(35) and spring(36) to cover(12) and tighten plug(37) with 14 mm hexagonal socket bolt.
- Tightening torque : 14 kgf · m (101 lbf · ft)



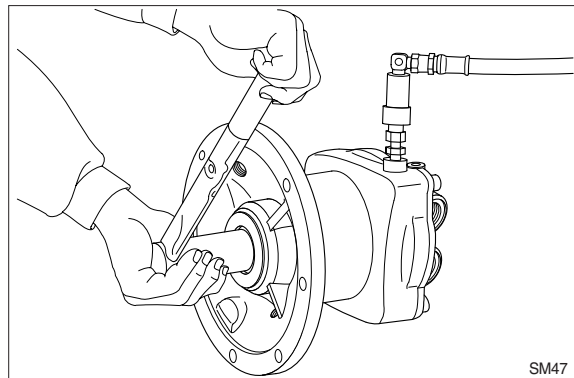
**(18) Relief assembly**

- Assemble relief valve assembly(17) to cover(12) with 14mm hexagonal socket bolt.
- Tightening torque : 8 kgf · m (58 lbf · ft)
- ※ Be cautious of assembling method.



**(19) Check of assembly**

- Load pilot pressure of 20 kgf/cm<sup>2</sup> to brake release port after opening inlet and outlet port.
- Check if output shaft is rotated smoothly around torque of 0.5~1 kgf · m.
- If not rotated, disassemble and check.



This completes assembly.

### 3. REMOVAL AND INSTALL OF REDUCTION GEAR

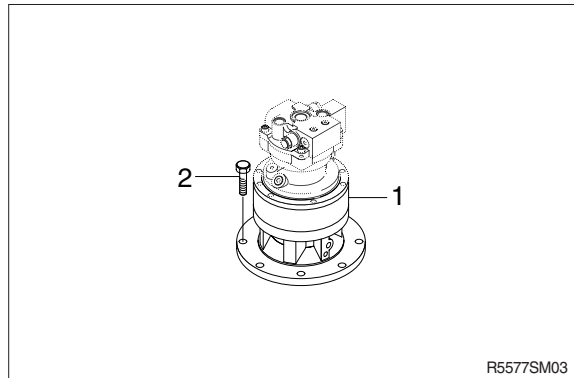
#### 1) REMOVAL

- (1) Remove the swing motor assembly.  
For details, see removal of swing motor assembly.
- (2) Sling reduction gear assembly (1) and remove mounting bolts (2).
- (3) Remove the reduction gear assembly.
  - Reduction gear device weight : 45 kg  
(99 lb)



#### 2) INSTALL

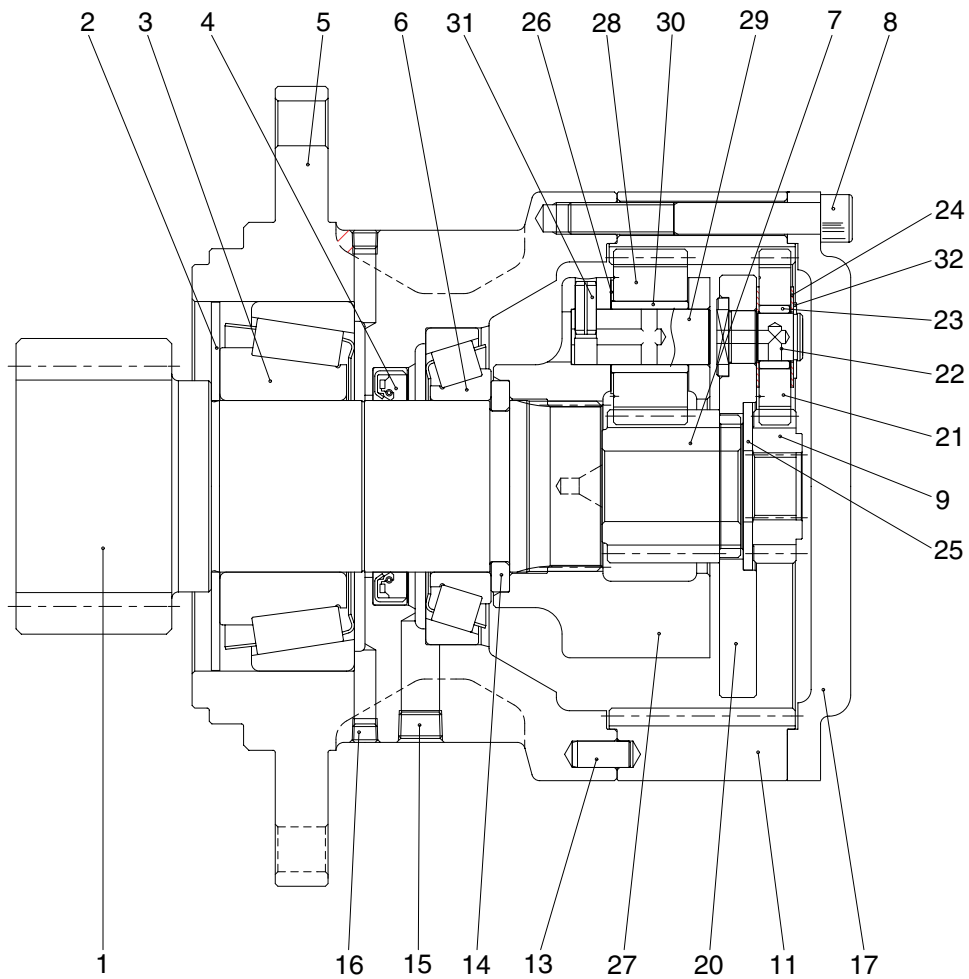
- (1) Carry out installation in the reverse order to removal.
  - Tightening torque : 10.5 kgf · m  
(76 lbf · ft)





## 4. DISASSEMBLY AND ASSEMBLY OF REDUCTION GEAR

### 1) STRUCTURE

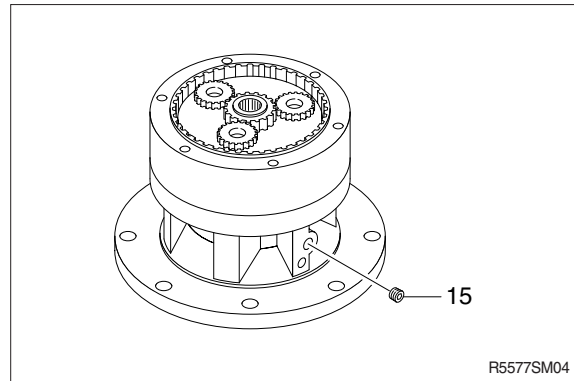


55W72SM02

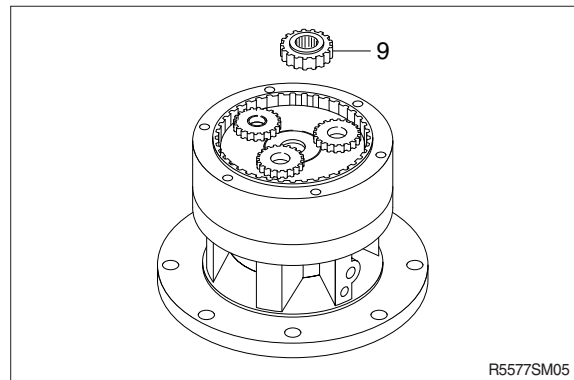
1 Shaft	12 Carrier assy 2	23 Bushing 1
2 Bearing cover	13 Dowel pin	24 Thrust washer 1
3 Taper roller bearing	14 Collar	25 Thrust washer 3
4 Case	15 Plug	26 Thrust washer 2
5 Oil seal	16 Plug	27 Carrier assy 2
6 Taper roller bearing	17 Cover	28 Planet gear 2
7 Sun gear 2	18 Pipe	29 Pin 2
8 Socket bolt	19 Level gauge	30 Bushing 2
9 Sun gear 1	20 Carrier assy 1	31 Spring pin
10 Carrier assy 1	21 Planet gear 1	32 Snap ring
11 Ring gear	22 Pin 1	33 Thrust washer 4

## 2) DISASSEMBLY

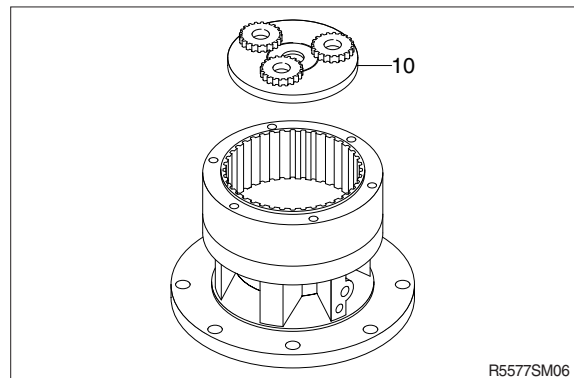
- (1) Remove the plug (15) and drain out gear oil.



- (2) Remove the No.1 sun gear (9).

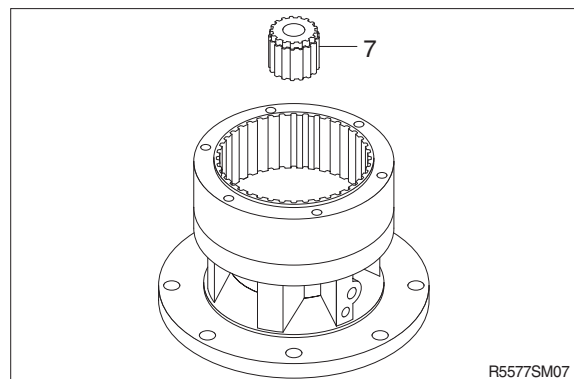


- (3) Remove the No.1 carrier sub-assembly (10) using the jig.

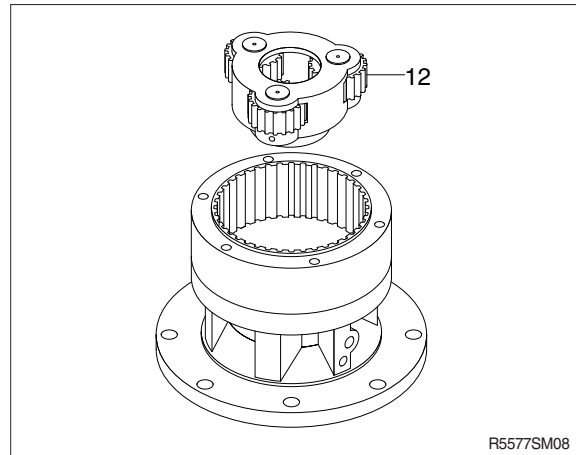


- (4) Remove the No.2 sun gear (7).

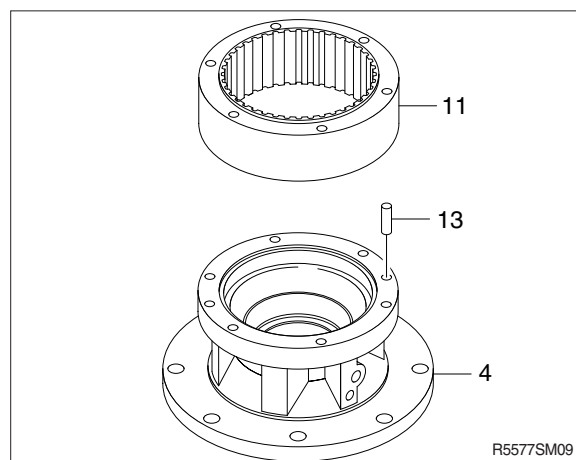
※ Pay attention to ensure the gear is not damaged during disassembling.



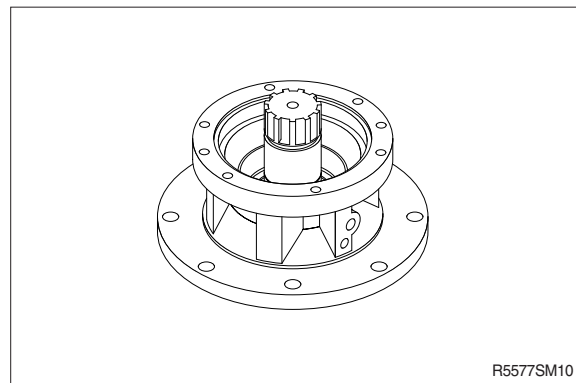
- (5) Remove the No.2 carrier sub assembly (12).



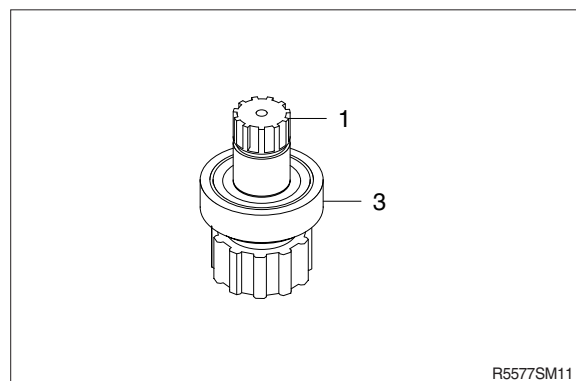
- (6) Remove the ring gear by the removal groove between the ring gear (11) and casing (4) by using jig.  
Full out the knock pin (13).  
Do not need to remove the knock pin (13) if it is not worn or damaged.



- (7) Put it on the working table with the drive shaft up.

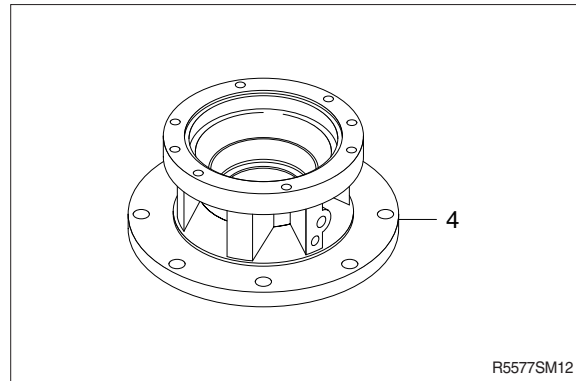


- (8) Disassemble the drive shaft (1) with bearing (3) by using jig.

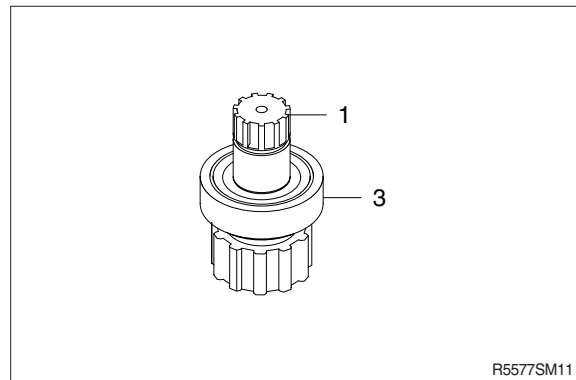


### 3) ASSEMBLING SWING REDUCTION GEAR

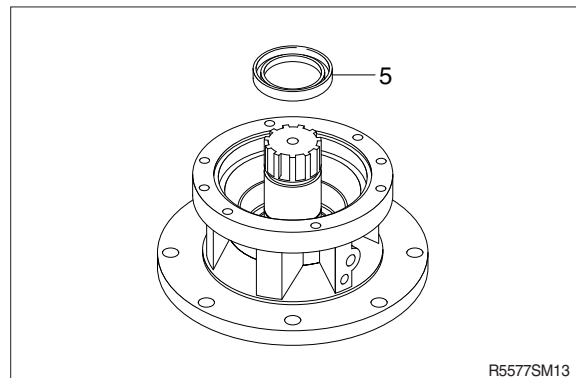
- (1) Place the case (4) on the reversing machine having the flange side of the case up.



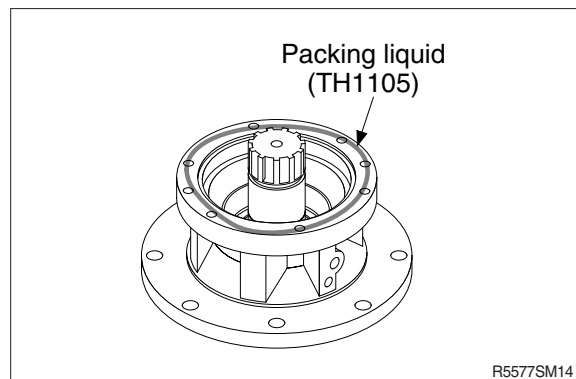
- (2) Install shaft assembly (1) into case (4).  
※ Be sure to clean the case before install, using washing machine with the temperature of 80°C  
※ Do not install shaft assembly by force.



- (3) Reverse case and press to insert oil seal (5) by using pressing jig after spreading grease oil around the outside ring of the seal and bearing.  
Coat grease oil slightly on the lip surface to prevent any scratch when installing.  
※ Be sure to check by eye that the oil seal is seated completely after being installed.



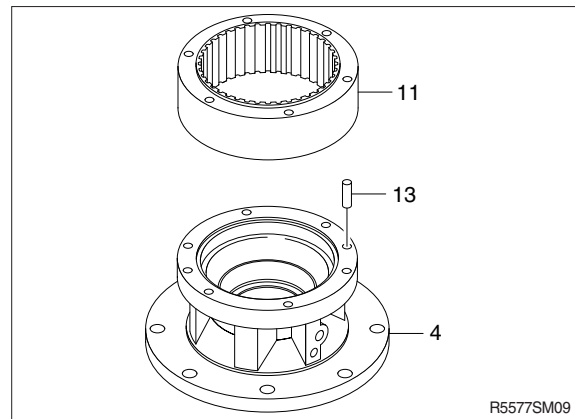
- (4) Clean the assembling surface of case and spread packing liquid (TH1105) as shown in figure.



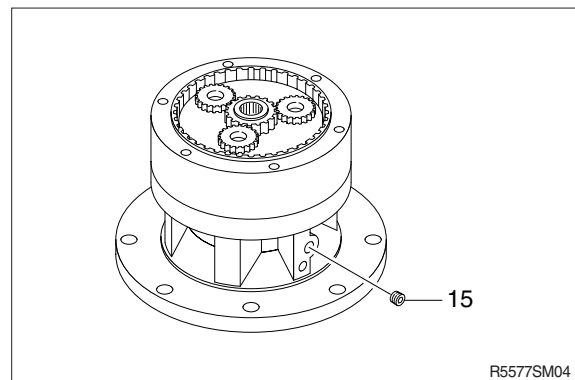
(5) Place ring gear (11) on the case by matching it with knock pin (13) hole.

(6) Insert 2 knock pins (13) by using jig.

※ Be sure to check the hole location of oil gage before inserting.

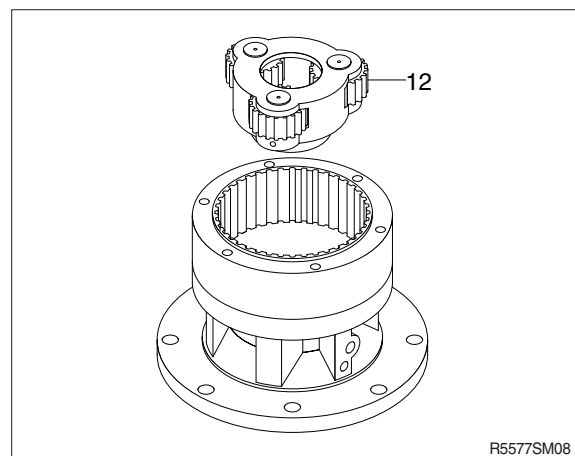


(7) Screw drain plug into drain plug (15) after winding sealing tape.



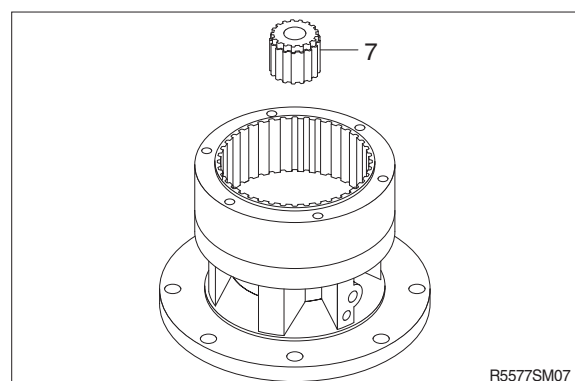
(8) Mount No.2 carrier assembly (12) in the case sub assembly and install bolts into 2 TAP holes (M6) as shown in figure.

※ Turn the carrier slowly by hand to adjust the matching holes when assembling.



(9) Install No.2 sun gear (7).

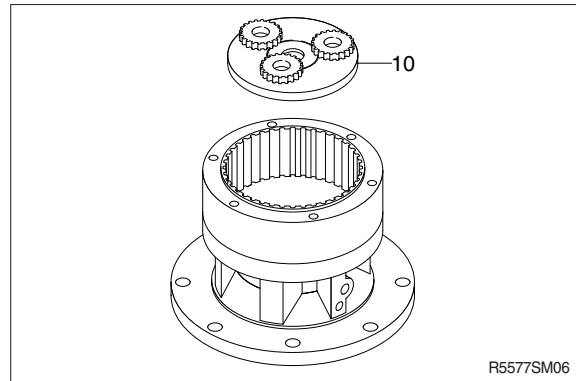
※ Be sure to check the direction of sun gear (7) when assembling.



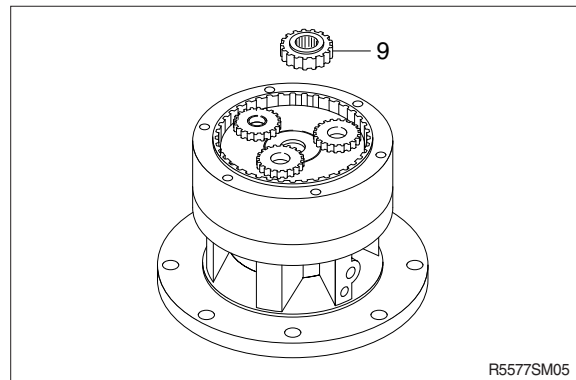


(10) Mount No.1 carrier assembly (10) in the case sub assembly and install bolts into 2 TAP holes (M6) as shown in figure.

※ Turn the carrier slowly by hand to adjust the matching holes when assembling.



(11) Assemble No.1 sun gear (9).



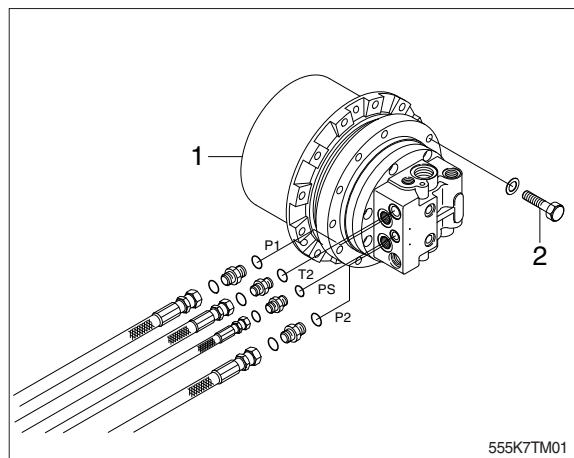
## GROUP 6 TRAVEL DEVICE (TYPE 1)

### 1. REMOVAL AND INSTALL

#### 1) REMOVAL

- (1) Swing the work equipment 90° and lower it completely to the ground.
- (2) Operate the control levers and pedals several times to release the remaining pressure in the hydraulic piping.
- (3) Loosen the breather slowly to release the pressure inside the hydraulic tank.
- ▲ **Escaping fluid under pressure can penetrate the skin causing serious injury.**
- ※ **When pipes and hoses are disconnected, the oil inside the piping will flow out, so catch it in oil pan.**

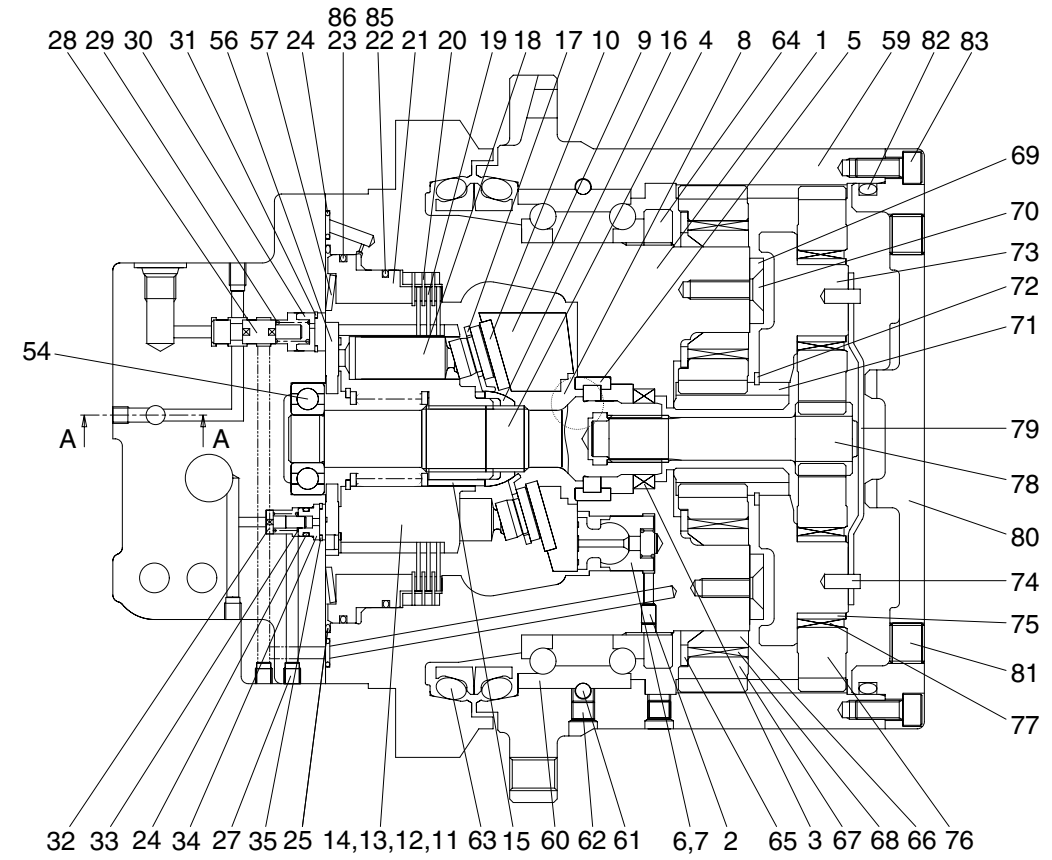
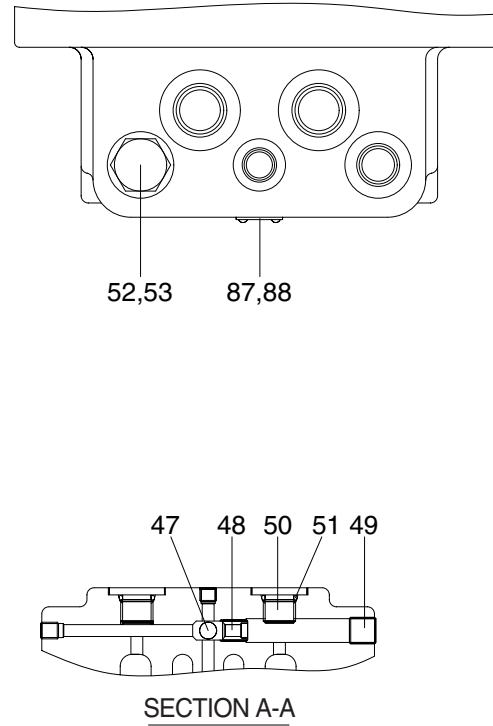
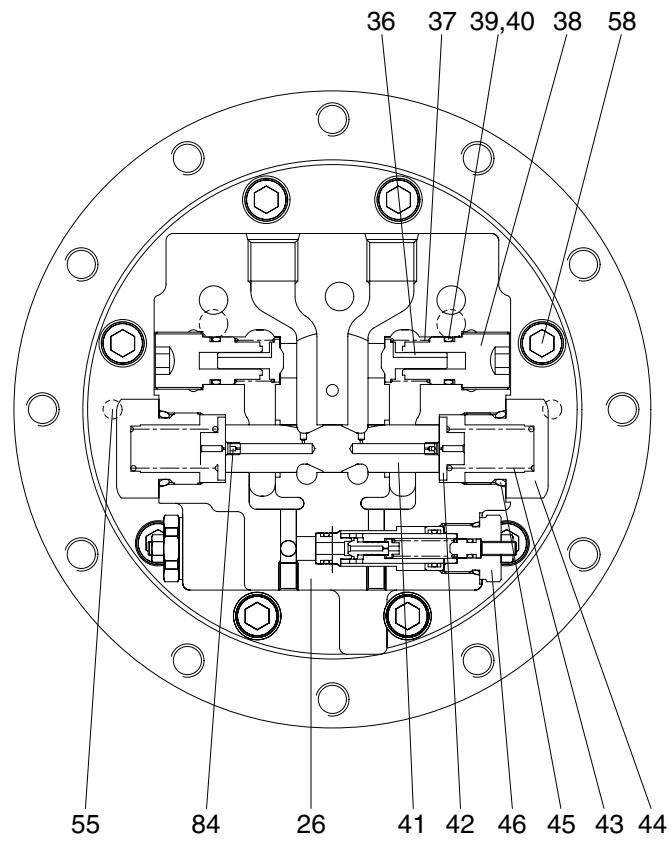
- (4) Remove the track shoe assembly.  
For details, see removal of track shoe assembly.
- (5) Remove the cover.
- (6) Remove the hose.
- ※ **Fit blind plugs to the disconnected hoses.**
- (7) Remove the bolts and the sprocket.
- (8) Sling travel device assembly(1).
- (9) Remove the mounting bolts(2), then remove the travel device assembly.  
· Weight : 80 kg (180 lb)



#### 2) INSTALL

- (1) Carry out installation in the reverse order to removal.
- (2) Bleed the air from the travel motor.
  - ① Remove the air vent plug.
  - ② Pour in hydraulic oil until it overflows from the port.
  - ③ Tighten plug lightly.
  - ④ Start the engine, run at low idling, and check oil come out from plug.
  - ⑤ Tighten plug fully.
- (3) Confirm the hydraulic oil level and check the hydraulic oil leak or not.

## 2) STRUCTURE



1 Shaft casing	16 Ball guide	31 Snap ring	46 Relief valve assembly	61 Steel ball	76 Planetary gear (B)
2 Expand	17 Set plate	32 Check	47 Steel ball	62 Plug	77 Needle bearing
3 Oil seal	18 Piston	33 Spring	48 Check seat	63 Floating seal	78 Drive gear
4 Shaft	19 Friction plate	34 Seat	49 Plug	64 Nut	79 Thrust plate
5 Bearing	20 Parking plate	35 Snap ring	50 Plug	65 Washer	80 Ring gear cover
6 Swash piston	21 Parking piston	36 Check	51 O-ring	66 Collar	81 Plug
7 Spring	22 O-ring	37 Spring	52 Plug	67 Planetary gear (A)	82 O-ring
8 Swash steel ball	23 O-ring	38 Plug	53 O-ring	68 Needle bearing	83 Wrench bolt
9 Swash plate	24 O-ring	39 O-ring	54 Ball bearing	69 Plate	84 Orifice
10 Shoe plate	25 O-ring	40 Back up ring	55 Pin	70 Flat head bolt	85 Back up ring
11 Cylinder block	26 Valve casing	41 Main spool	56 Valve plate	71 Sun gear	86 Back up ring
12 Spring seat	27 Plug	42 Spring seat	57 Spring	72 Snap ring	87 Name plate
13 Spring	28 Spool	43 Spring	58 Wrench bolt	73 Carrier	88 Rivet
14 Snap ring	29 Spring	44 Plug	59 Ring gear	74 Spring pin	
15 Pin	30 Stopper	45 O-ring	60 Angular bearing	75 Collar	

R5572TM10

## **2. DISASSEMBLY**

### **1) GENERAL PRECAUTIONS**

- (1) Before disassembling the travel motors, check the items to be inspected and, for remedy against trouble, closely examine the nature of the trouble, so that the motor can be disassembled effectively.
- (2) To disassemble the motor, use the disassembling procedures described as followings and select a clean place.
- (3) Place a rubber or vinyl sheet or other such protective materials on your working bench to protect the surface of the motor to be serviced.
- (4) During disassembly, give a match mark to the mating surfaces of each part.
- (5) Arrange removed parts in order so that they will not become damaged or missing during disassembly.
- (6) Once seals have been disassembled, they should be replaced even if damage is not observed. Have replacement seals ready on hand before starting your disassembling job.

## 2) TOOLS AND TIGHTENING TORQUE

### (1) Tools

Name of tools	Size	Name of applied parts
Hexagonal L-wrench	2.5	Orifice (84)
	4	Plug (27)
	6	Plug (49), wrench bolt (70, 83)
	8	Plug (81)
	-	Plug (38, 52, 50)
Socket wrench / spanner	27	Plug (44), Relief valve assembly (46)
Snap-ring plier (for holes, axis)		Snap ring (14, 31, 35, 72)
Solder hammer		Bearing (5), Pin (55, 74), Oil seal (3)
Torque wrench		Size : 500, 3000
Jig for assembling oil seal		Oil seal (3)
Induction heating apparatus for bearing		Bearing (5)

### (2) Tightening torque

No.	Name	Size	Torque
			kgf · m
27	Plug	NPT 1/16	0.7~1.1
38	Plug	M24	5
46	Orifice	M27	17~19
49	Plug	PT 1/4	5
58	Wrench bolt	M12×35L	10
81	Plug	PT 3/8	8.5
70, 83	Wrench bolt	M8×20L	10
84	Orifice	M5	0.7



### 3. DISASSEMBLY

#### 1) GENERAL PRECAUTIONS

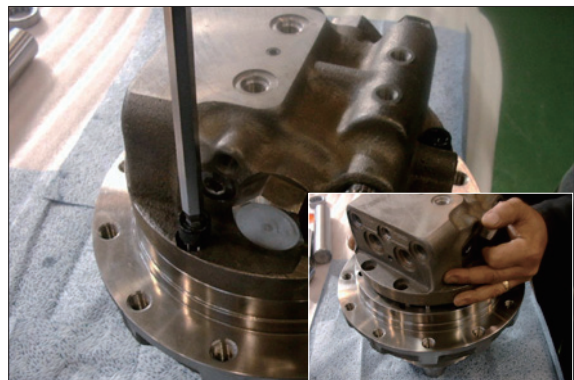
- (1) Select a clean place for disassembling.  
Spread a rubber plate on a working table in order to prohibit the damage of parts.
- (2) Clean a reduction gear and a motor part, washing out dirt and unnecessary substances.
- (3) Without any damage of O-ring, oil seal, the adhered surface of other seals, a gear, a pin, the adhered surface of other bearings, and the surface of moisturized copper, treat each parts.
- (4) Numbers written in the parenthesis ( ), next to the name of a part represent the item numbers of a previous page.
- (5) The side of a pipe in a motor can be written as a rear side ; the side of out-put as a front side.
- (6) In case of bonding bolts, combine a standard torque by torque wrench after spraying loctite #262 on the tap parts.

#### 2) DISASSEMBLING

##### (1) Motor unit

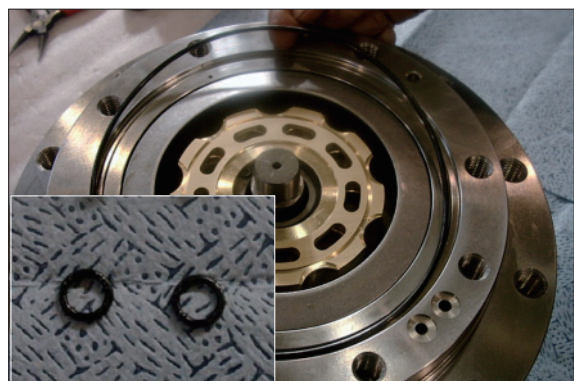
- ① Put the motor assembly on the assemble table.

Using L-Wrench, disassemble 8 wrench bolt (58) and so respectively disassemble shaft casing assembly and rear cover assembly.



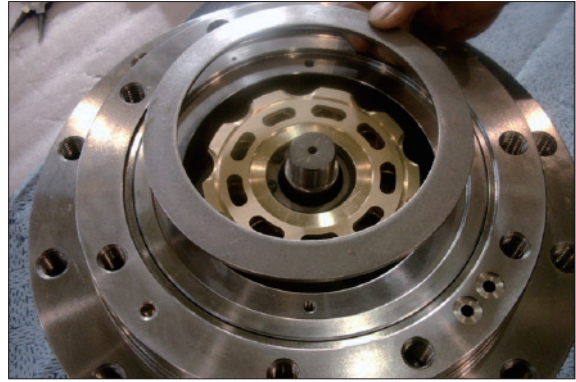
7078TM01/01A

- ② Disassemble O-ring (24) and O-ring (25) in that order from shaft casing (1).



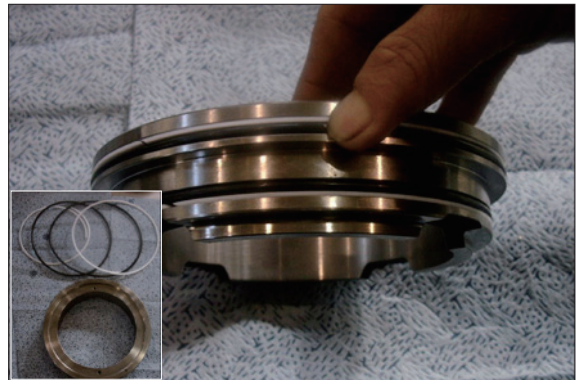
555K7TM02/02A

- ③ Disassemble plate spring (57) from shaft casing (1).



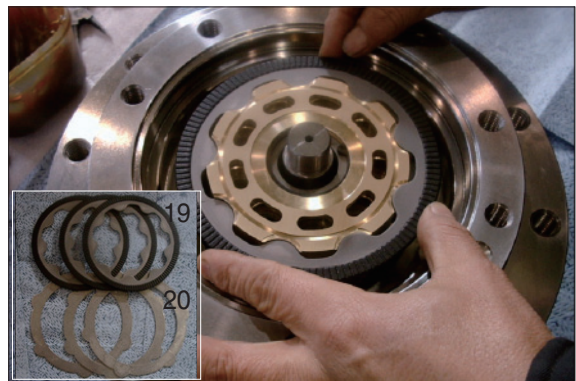
555K7TM03

- ④ Using compression air, disassemble parking piston (21) from shaft casing (1) and disassemble O-ring (23), O-ring (22) and back up ring (85) in that order.



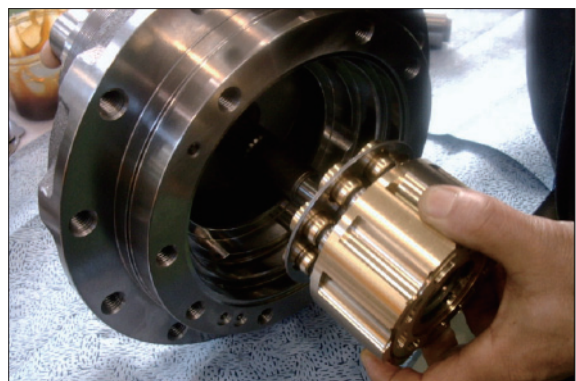
7078TM04/04A

- ⑤ Disassemble respectively 3 set of friction plate (19), parking plate (20) from shaft casing (1).



555K7TM05

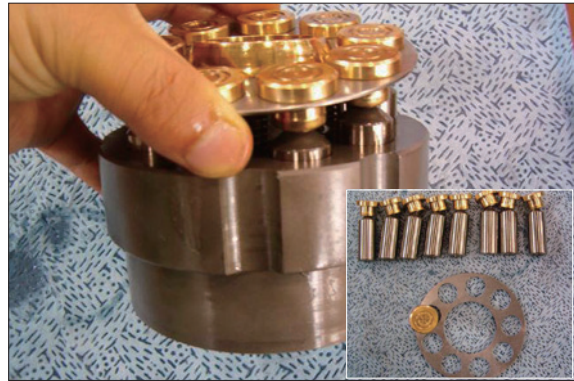
- ⑥ Disassemble cylinder block assembly (11) from shaft casing (1).



555K7TM06

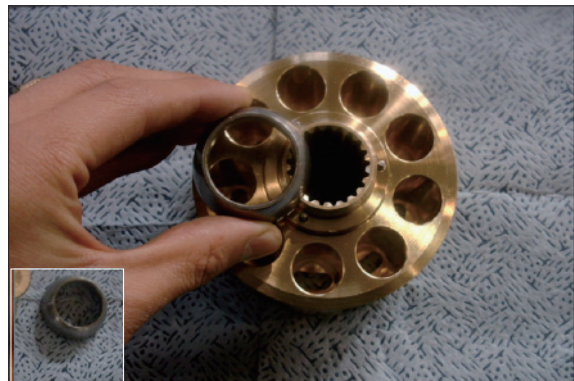
## (2) Cylinder block

- ① Disassemble set plate (17), piston assembly (18) from cylinder block assembly (11).



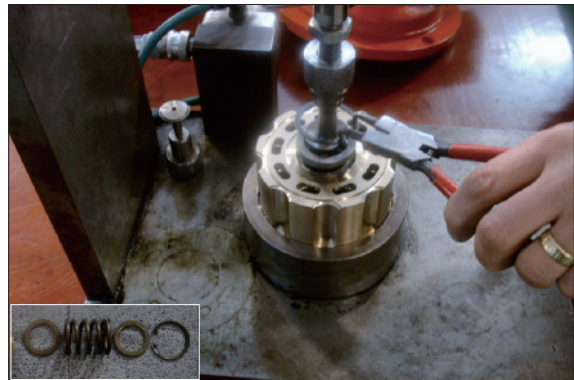
7078TM07/07A

- ② Disassemble cylinder block (11), ball guide (16) and pin (15) in that order.



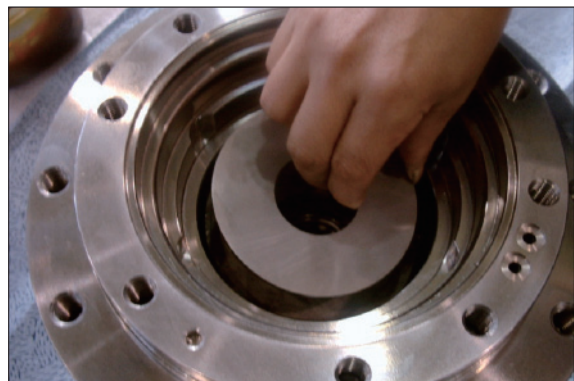
555K7TM08/08A

- ③ Put the cylinder block (11) on the air assembling jig and disassemble snap ring (14) by using a plier. Disassemble spring seat (12), spring (13) and spring seat (12) in that order.



555K7TM09/09A

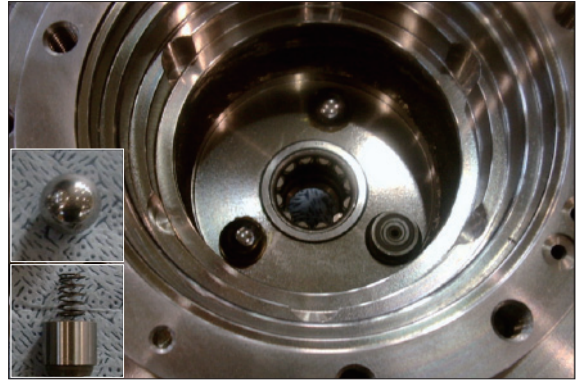
- ④ Disassemble shoe plate (10) from shaft casing (1).



555K7TM10



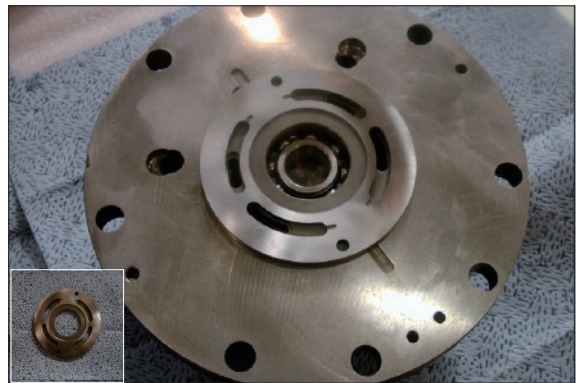
- ⑤ Disassemble steel ball (8) and swash plate (6) from shaft casing (1).



555K7TM11/11A/11B

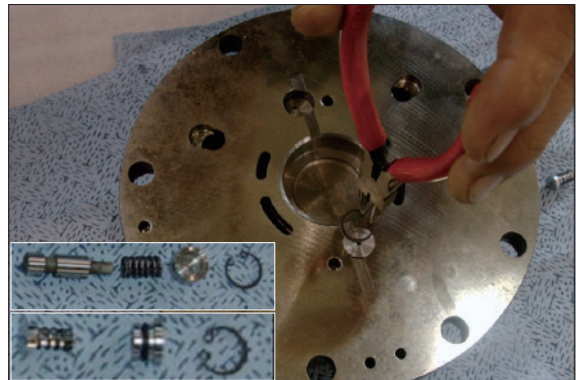
### (3) Rear cover

- ① Disassemble valve plate (56) from rear cover (26).



555K7TM12/12A

- ② Using plier jig, disassemble snap ring (35), seat (34), O-ring (24), spring (33), check (32) from rear cover (26) and then disassemble snap ring (31), stopper (30), spring (29) and spool (28) same procedure.



7078TM13

- ③ Using torque wrench, disassemble relief valve assembly (46) from rear cover (26) (left, right is symmetry).



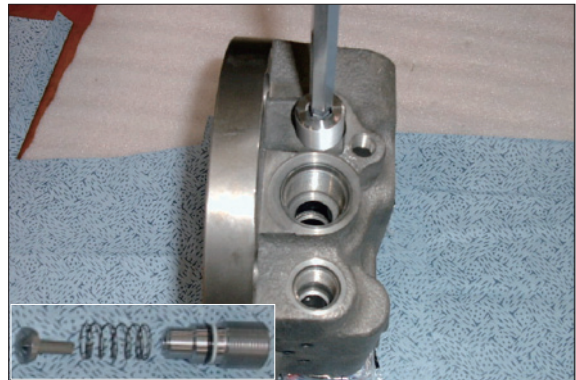
555K7TM14/14A

- ④ Using torque wrench, disassemble plug (44) and O-ring (45), spring (43), spring seat (42) and main spool (41) in that order.



7078TM15/15A

- ⑤ **Disassembly make up valve**  
Using L-wrench, disassemble plug (38) and disassemble O-ring (36), back up ring (40) and spring (37) and then check (36) and spring (37) in that order.



555K7TM15/15A



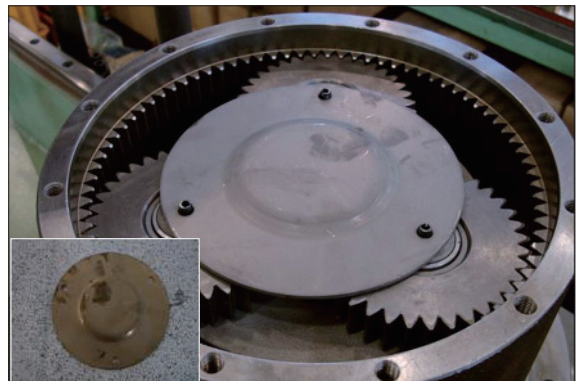
#### (4) Reduction gear

- ① Using L-wrench, disassemble wrench bolt (83) and then ring gear cover (80), O-ring (82) from ring gear (59).



7078TM17/17A

- ② Disassemble thrust plate (79) from ring gear (59).



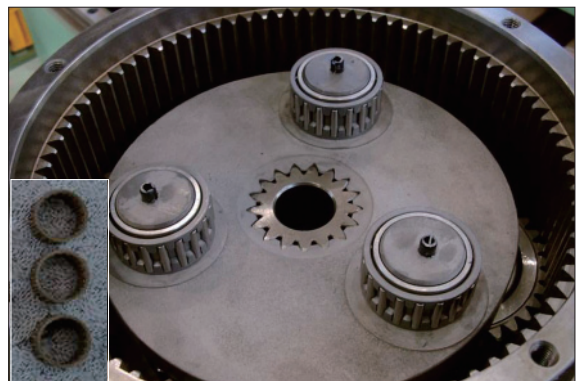
7078TM18/18A

- ③ Disassemble planetary gear (76), drive gear (78) in that order from ring gear (59).



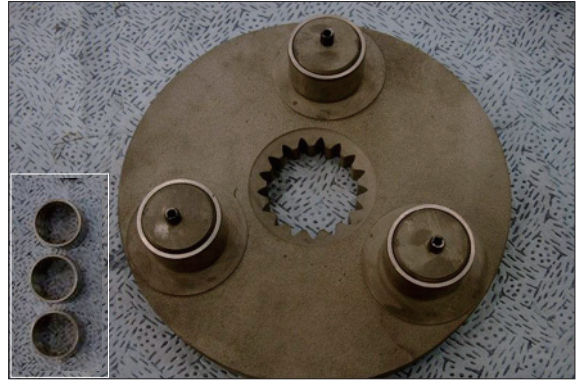
7078TM19/19A

- ④ Disassemble 3 needle bearing (77) from ring gear (59).



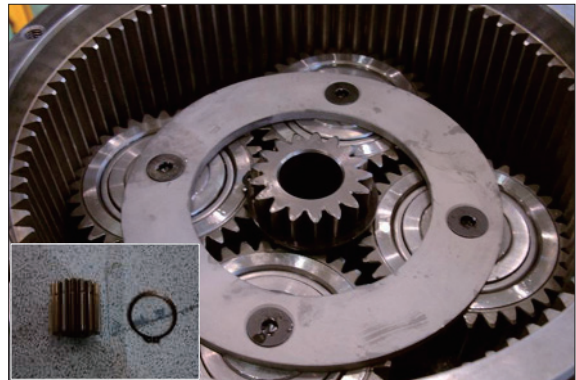
7078TM20/20A

- ⑤ Disassemble in order collar (75), carrier (73) from ring gear (59).



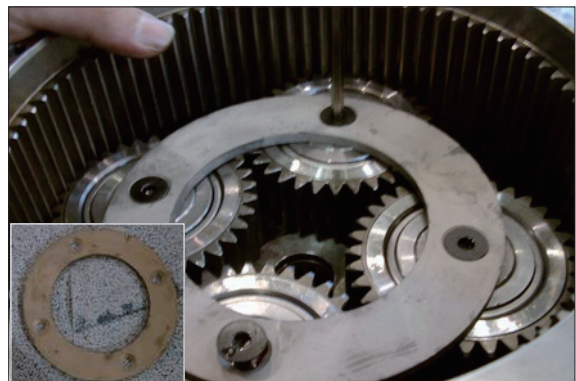
7078TM21/21A

- ⑥ Disassemble sun gear (71) from ring gear (59) and then disassemble snap ring (72) with a plier jig.



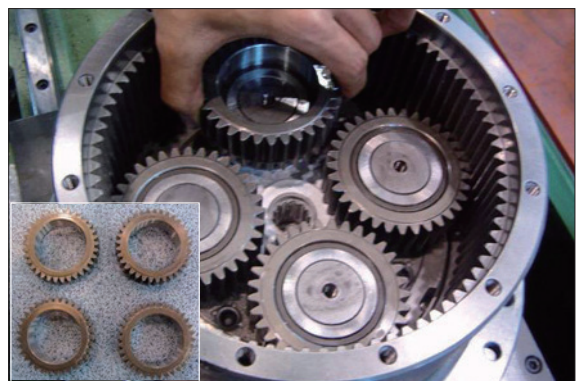
7078TM22/22A

- ⑦ Using a L-wrench, disassemble plate head bolt (70)-4EA from ring gear (59) and then disassemble plate (69).



7078TM23/23A

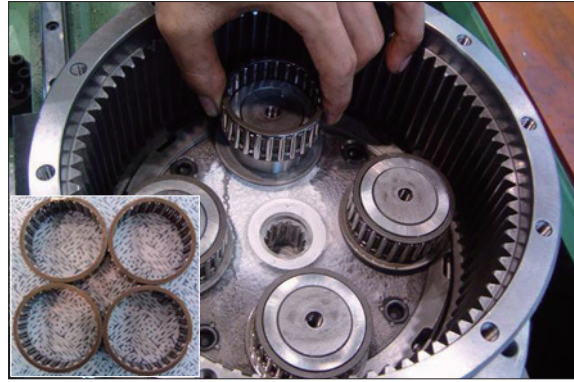
- ⑧ Disassemble planetary gear (67)-4EA from ring gear (59).



7078TM24/24A

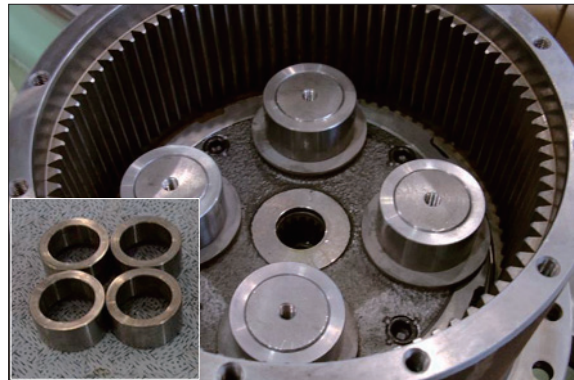


- ⑨ Disassemble needle bearing (68)-4EA from ring gear (59).



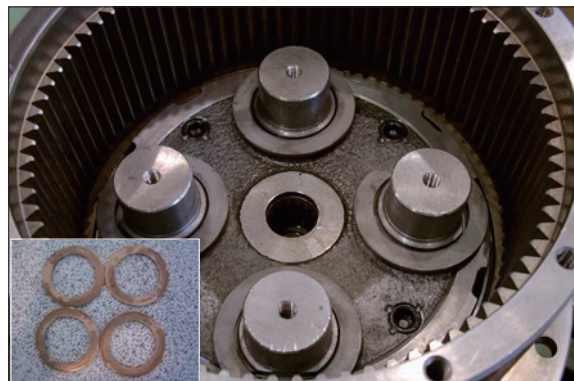
7078TM25/25A

- ⑩ Disassemble collar (66)-4EA from ring gear (59).



7078TM26/26A

- ⑪ Disassemble washer (65)-4EA from ring gear (59).



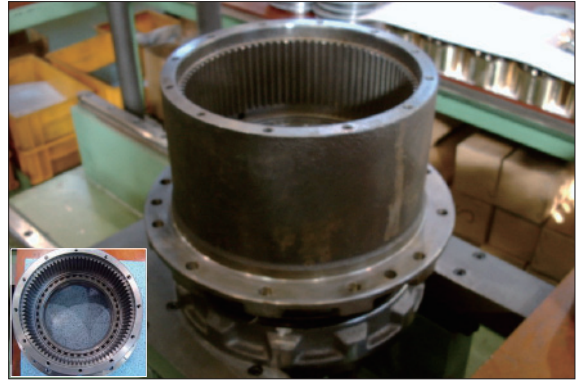
7078TM27/27A

- ⑫ Using jig, disassemble nut (64) when inner pressed state with a L-wrench bolt from ring gear (59).



78078TM29

- ⑬ Put the reduction gear on the assembling jig and then disassemble ring gear (59).



555K7TM17

## 4. ASSEMBLY

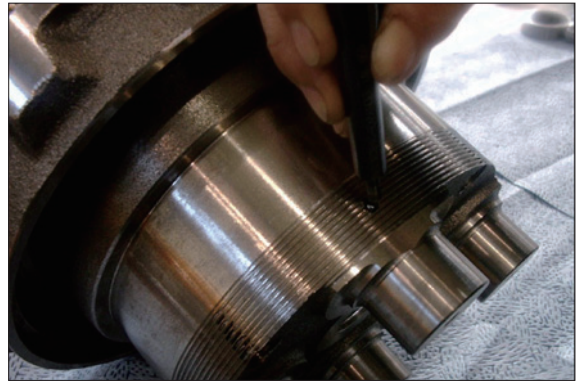
### 1) GENERAL SUGGESTIONS

- (1) After washing each parts cleanly, dry it with compressed air.  
Provided that you do not wash friction plate with treated oil.
- (2) In bonding each part, fasten bond torque.
- (3) When using a hammer, do not forget to use a plastic hammer.

### 2) ASSEMBLING

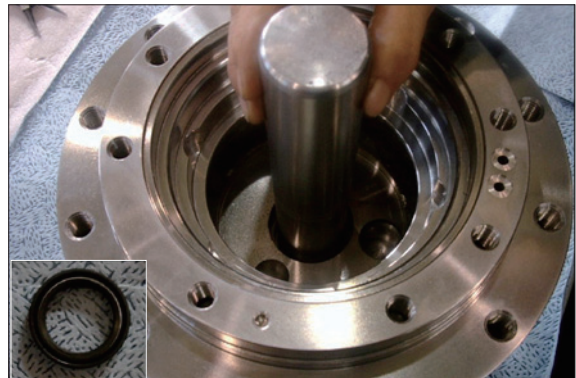
#### (1) Sub of turning axis and valve casing

- ① Using a jig, insert the steel ball (61) to the shaft casing (1) and then assemble plug (62).



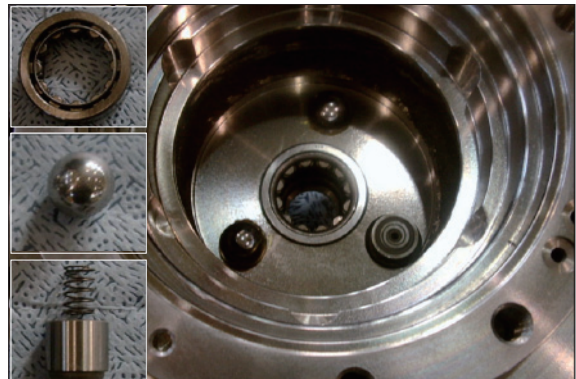
7078TM51

- ② Using a jig, assemble oil seal (3) to the shaft casing (1) and then insert with solid hammer.



7078TM52

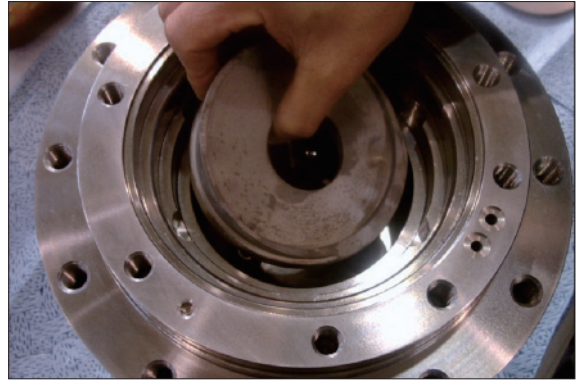
- ③ Assemble bearing (5) to the shaft casing (1) and then assemble steel ball (8) with grease and swash piston (6).



555K7TM19/19A/19B/19C

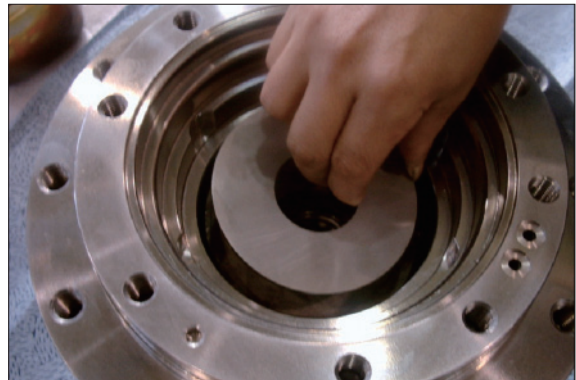


- ④ Assemble swash plate (9) to the shaft casing (1).



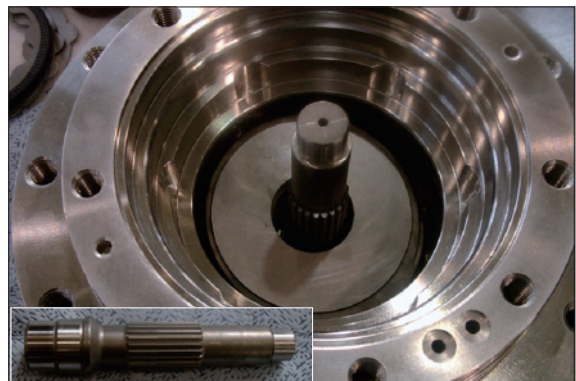
555K7TM20

- ⑤ Assemble shoe plate (10) to the shaft casing (1).



555K7TM21

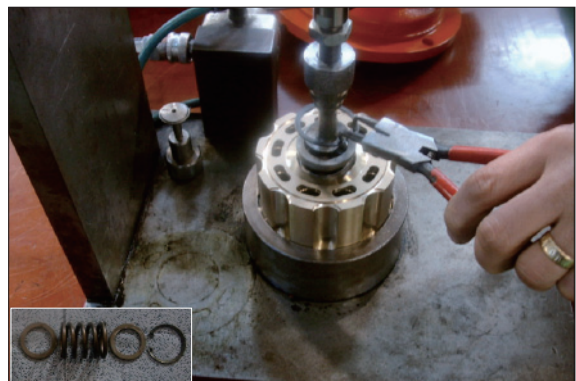
- ⑥ Assemble shaft (4) to the shaft casing (1).



555K7TM22/22A

## (2) Cylinder block sub assembly

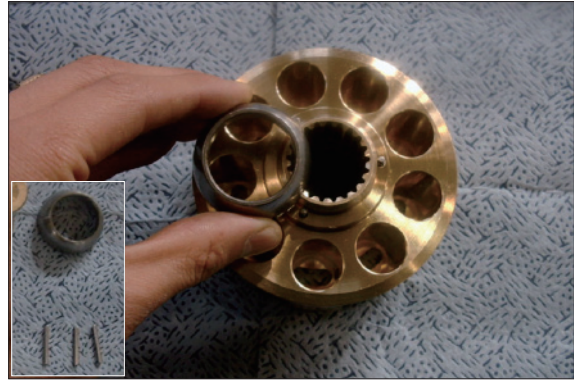
- ① Put cylinder block (11) on the air jig, assemble spring seat (12), spring (13) in that order and then assemble the snap ring (14) with a plier.



555K7TM09A



- ② Assemble pin (15), ball guide (16) in that order to the cylinder block (11).



555K7TM08/08A

- ③ Assemble piston (18) to the set plate (17, 9 set).



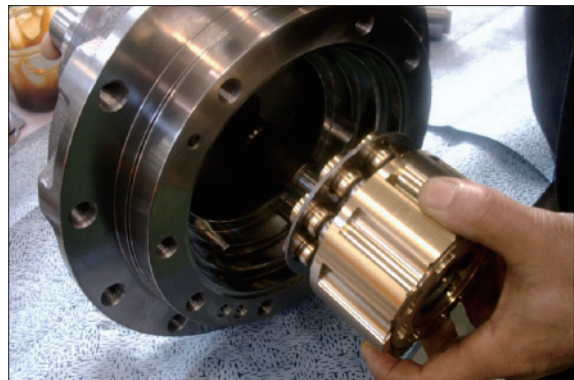
555K7TM23

- ④ Assemble sub-assembled piston (17, 18) to the cylinder block (9).



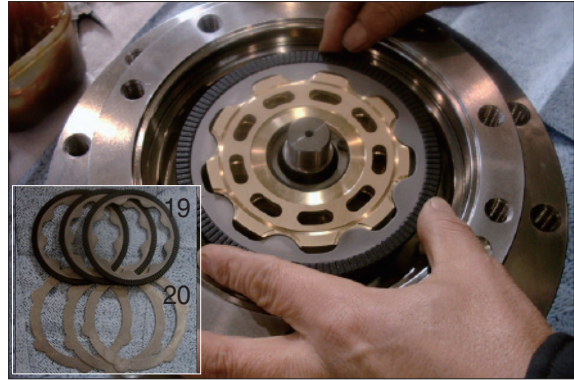
7078TM60

- ⑤ Assemble sub-assembled cylinder block (11) to the shaft casing (1).



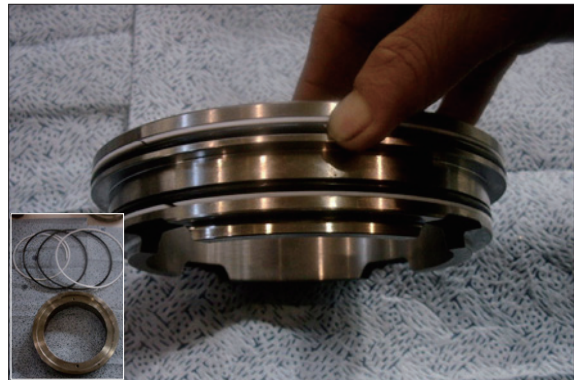
555K7TM06

- ⑥ Assemble friction plate (19), parking plate (20) (respectively 3 EA) to the shaft casing (1).



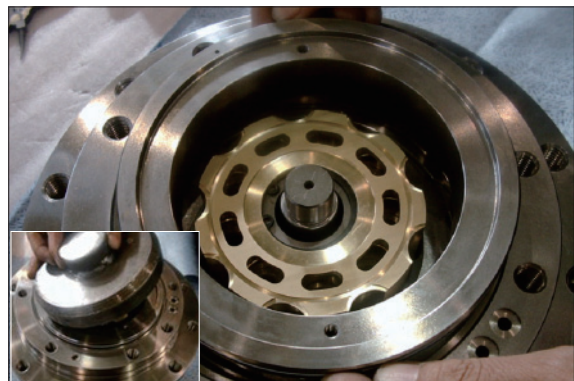
555K7TM05

- ⑦ Assemble back up ring (86), O-ring (23, 22), back up ring (85) in that order to the parking piston (21).



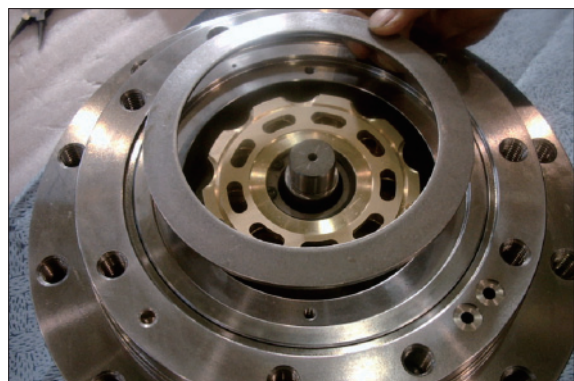
7078TM04/04A

- ⑧ Using a jig, insert the parking piston to the shaft casing (1) and assemble.



555K7TM24

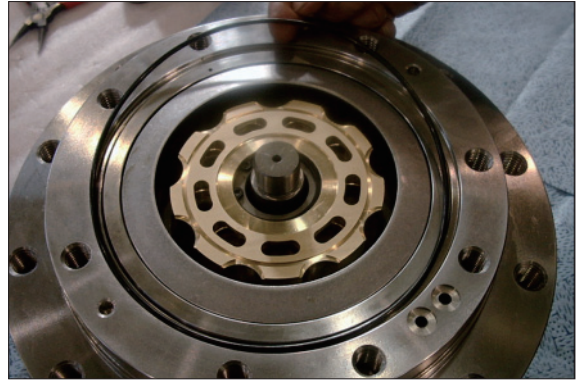
- ⑨ Assemble spring (57) to the shaft casing (1).



555KTM03

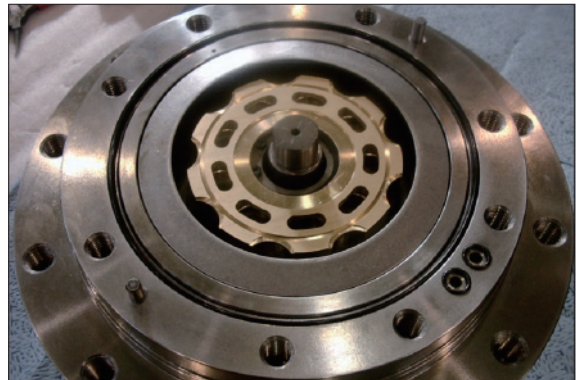


- ⑩ Assemble O-ring (25) to the shaft casing (1).



555K7TM02

- ⑪ Assemble pin (55), O-ring (24) in that order to the shaft casing (1).



555K7TM25

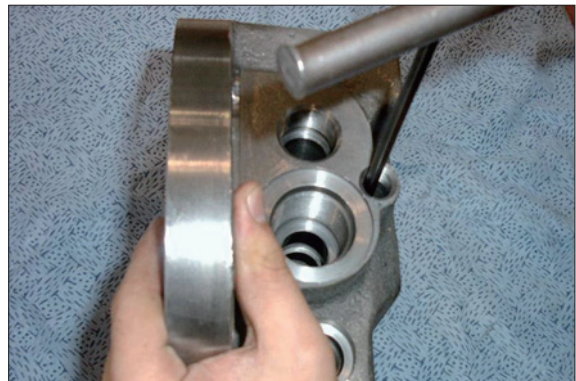
### (3) Rear cover assembly

- ① Using a L-wrench, assemble plug (27)-9EA to the rear cover (26).



7078TM66

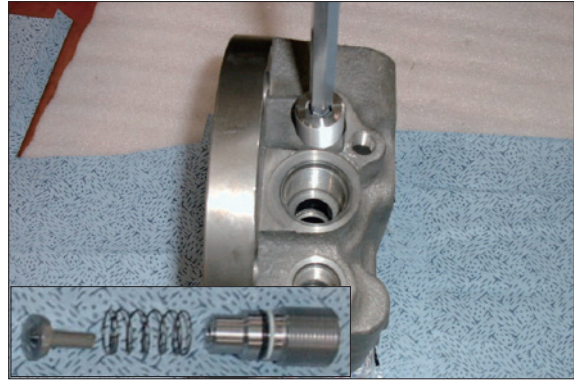
- ② Contact steel ball (47) to the rear cover (26) by using jig and assemble plug (49) with a L-wrench.



7078TM67

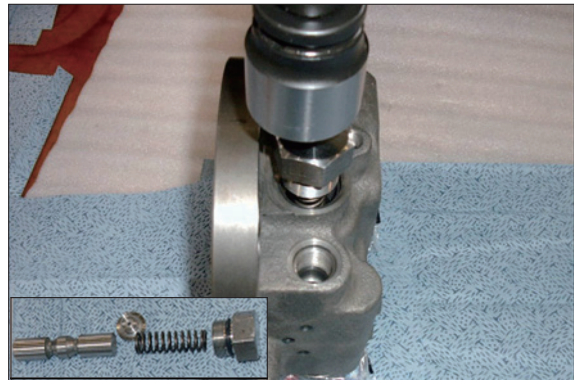
③ Assemble the make up check valve

Assemble check (36), spring (37) to rear cover (26) and assemble plug (38) with back up ring (40) and O-ring (39) to rear cover (26) by using a L-wrench.



7078TM16/16A

④ Fit orifice (84) to main spool (41) symmetry and assemble it to rear cover (26) and then assemble spring seat (42), spring (43), O-ring (45) and plug (44) in that order by using a torque wrench.



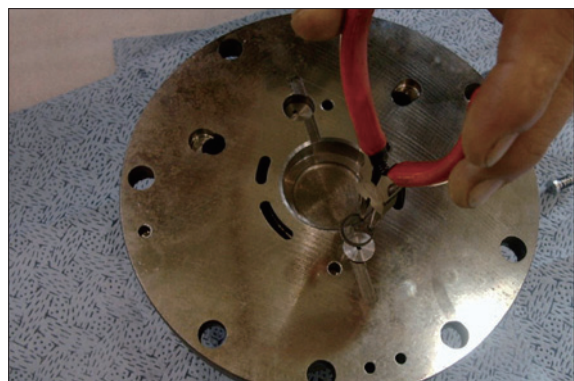
7078TM15/15A

⑤ Assemble relief valve assembly (46) (with left-right symmetry) to the rear cover (26) and then tighten with a torque wrench.



7078TM71

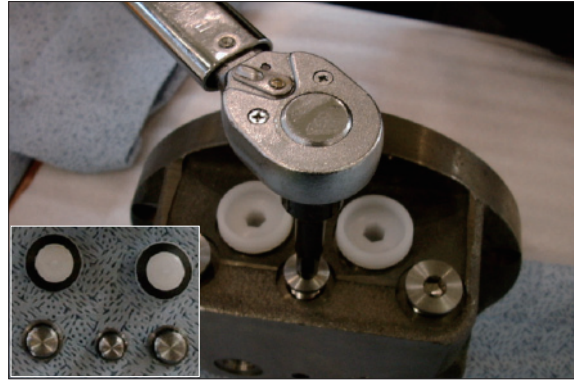
⑥ Using plier, Assemble spool (28), spring (29), stopper (30) and snap ring (31) in that order to the Ø16 hole on the underneath of the rear cover (26) and assemble check (32), spring (33), O-ring (24), seat (34) and snap ring (35) in that order to the Ø15 hole of the rear cover (26).



7078TM13

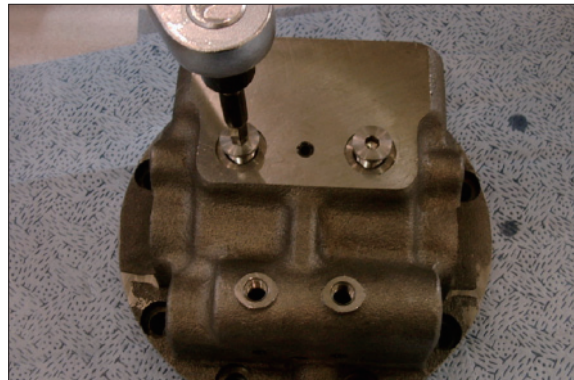


- ⑦ Fit O-ring (51) to plug (49) and O-ring (53) to plug (52) and then assemble them to rear cover (26) by a torque wrench.



555K7TM26/26A

- ⑧ Assemble 2 plug (50) to rear cover (26) by a torque wrench.



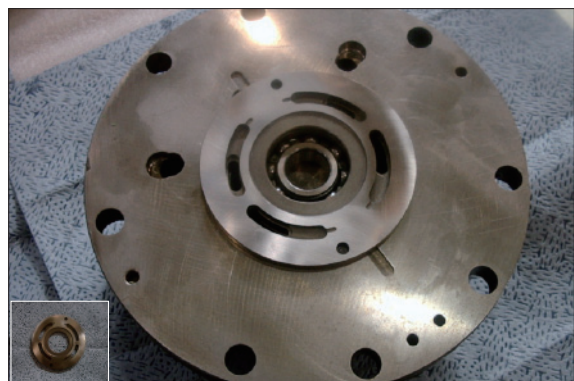
555K7TM27

- ⑨ Assemble ball bearing (54) with grease to rear cover (26) and insert 2 pin (55) by using hammer.



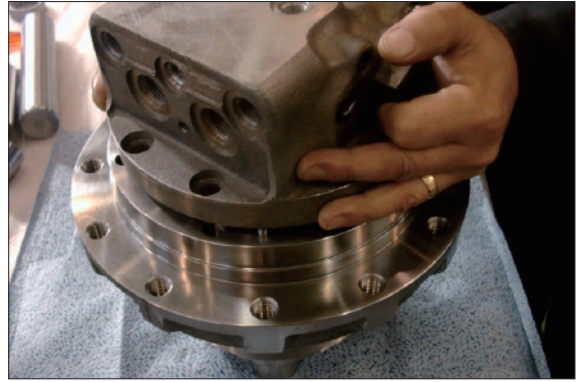
555K7TM28

- ⑩ Assemble valve plate (56) with grease to rear cover (26).



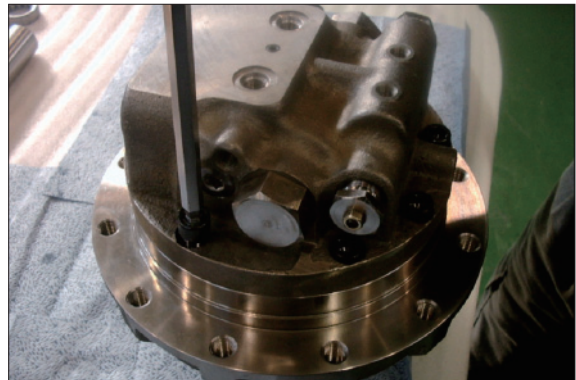
555K7TM12/12A

- ⑪ Assemble rear cover (26) to shaft casing (1).



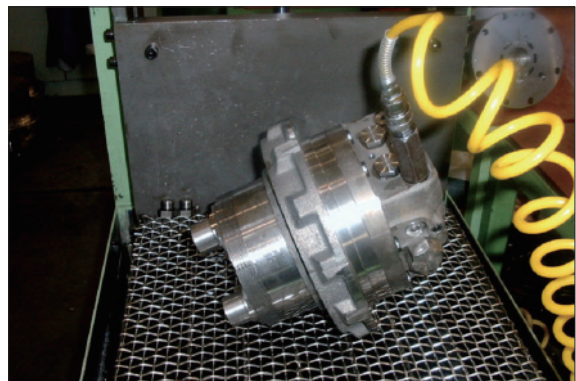
555K7TM29

- ⑫ Combine rear cover assembly and shaft casing assembly with 8 bolt (58).



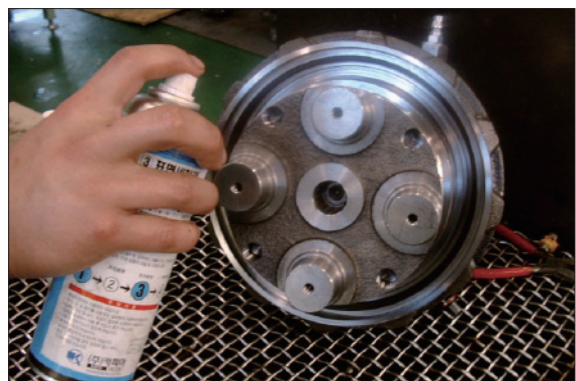
555K7TM30

- ⑬ **Motor pressure test**
- Check the oil leak for one minute by appearance test at air pressure 5 kgf/cm<sup>2</sup> (43 psi).



555K7TM31

- ⑭ **Leakage test**
- Clean the unit by #1 color checker and spray #3 checker. Check leakage from oil seal and body.

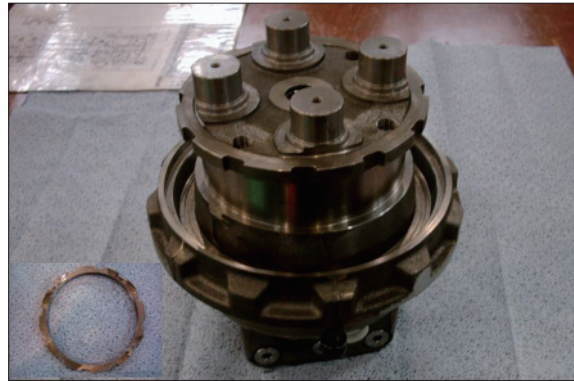


555K7TM32



#### (4) Travel reduction gear

- ① Before assemble nut (64) to the motor.  
Remove burr and alien substances ready for assembling.



7078TM77/28A

- ② Insert ring gear (59) to the spray washing machine and heat up 69~70 °C for one minute.



7078TM78

- ③ Assemble angular bearing (60) to the ring gear (59).



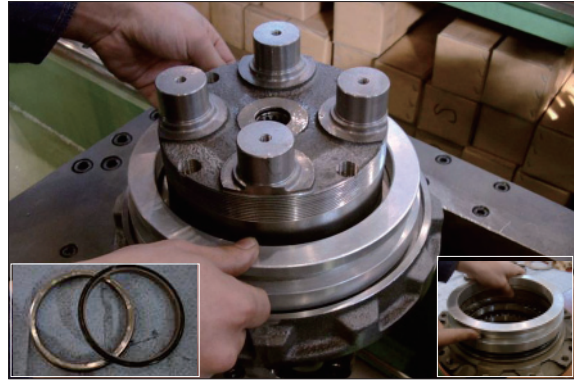
7078TM79/79A

- ④ Insert 10 steel ball (61) to the ring gear (59) with a jig and assemble 2 plug (62) with a L-wrench.



7078TM80/80A

- ⑤ Assemble floating seal (63) to ring gear (59) and motor part with a jig.



7078TM81/81A/82

- ⑥ Upset the ring gear (59) and assemble with motor.



7078TM83

- ⑦ Combine nut (64) to the ring gear (59) and pressing use a jig and then assemble with a torque-wrench.



7078TM28/28B/28C

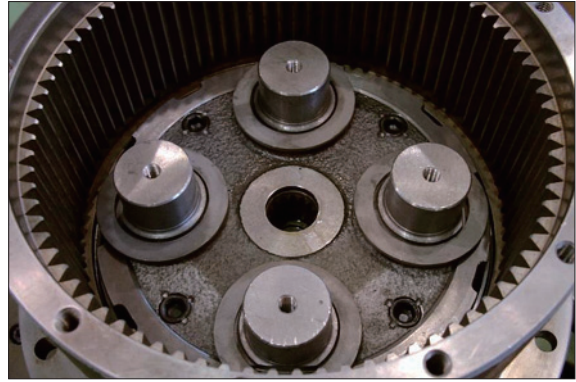
- ⑧ Using a L-wrench, assemble plug-4EA to the ring gear (59) and then cocking by a jig.



7078TM84/84A/85

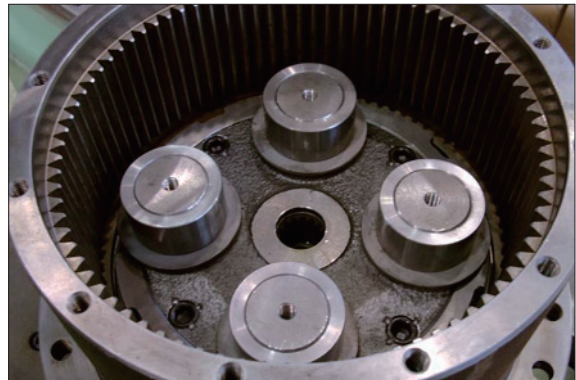


- ⑨ Assemble washer (65)-4EA to the ring gear (59).



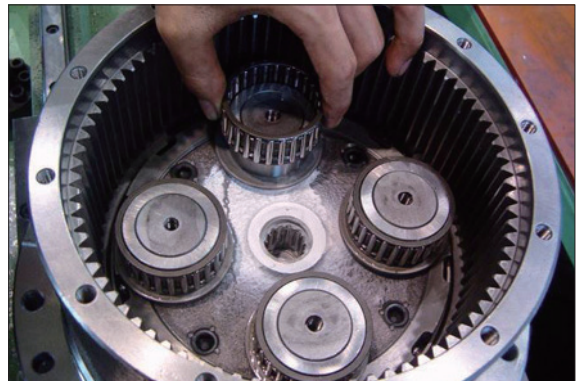
7078TM27

- ⑩ Assemble collar (66)-4EA to the ring gear (59).



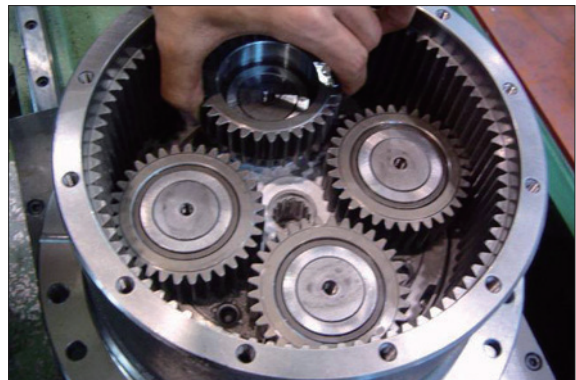
7078TM26

- ⑪ Assemble needle bearing (68)-4EA to the ring gear (59).



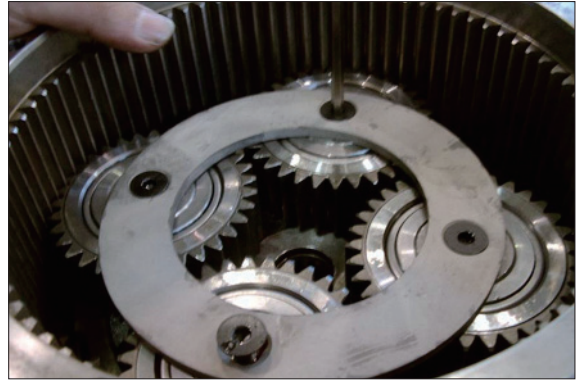
7078TM25

- ⑫ Assemble planetary gear (67)-4EA to the ring gear (59).



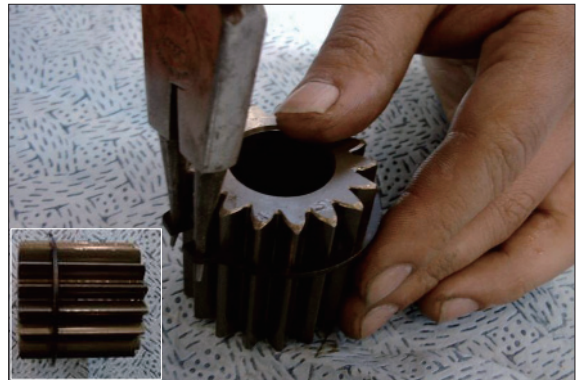
7078TM24

- ⑬ Assemble plate (69)-1EA to the ring gear (59) and then tighten flat head bolt (70)-4EA with a L-wrench.  
(after paste loctite and then tighten the flat head bolt).



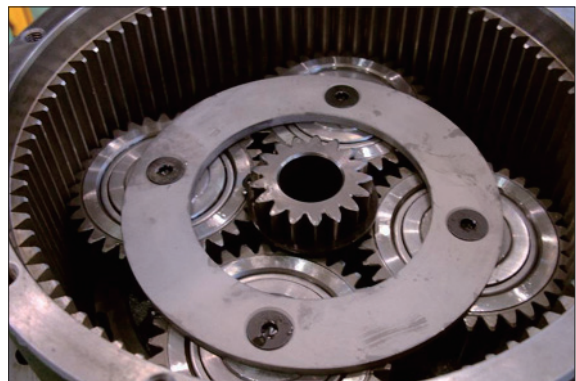
7078TM23

- ⑭ Assemble snap ring (72) to the sun gear (71) with a plier jig.



7078TM86/86A

- ⑮ Assemble sun gear with snap ring assembly to the ring gear (59).



7078TM22

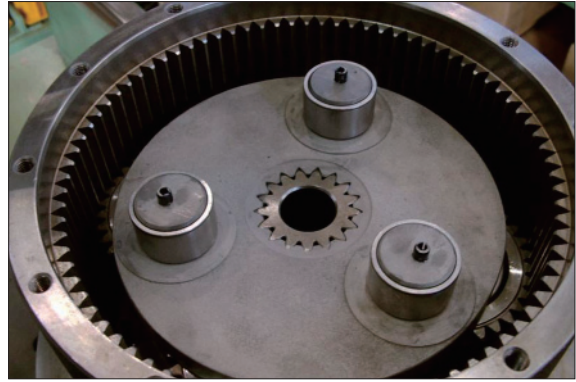
- ⑯ Assemble in that order collar (75), spring pin (74) to the carrier (73).



7078TM21

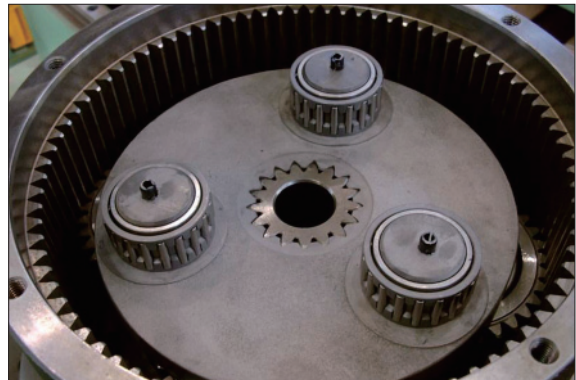


- ⑰ Assemble carrier sub assembly to the ring gear (59).



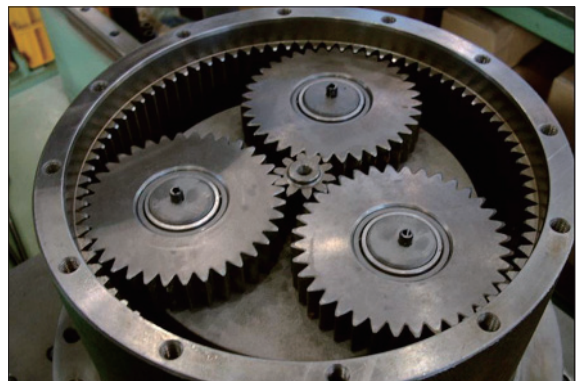
7078TM87

- ⑱ Assemble needle bearing (77)-3EA to the ring gear (59).



7078TM20

- ⑲ Assemble in order planetary gear (76), drive gear (78) to the ring gear (59).



7078TM19

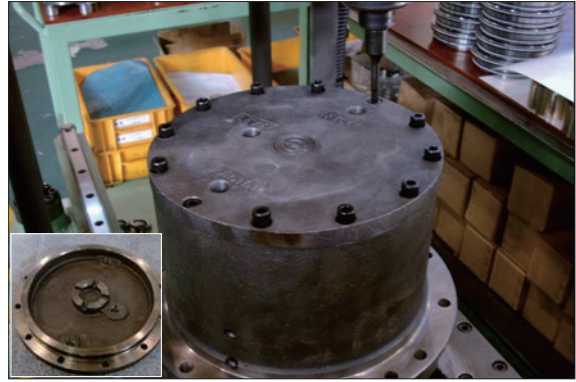
- ⑳ Assemble thrust plate (79) to the ring gear (59).



7078TM18

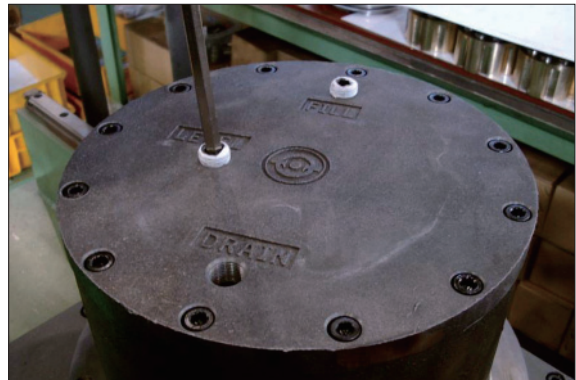


- ② Assemble in order ring gear cover (80) with O-ring (82) and then assemble wrench bolt (83) with a torque-wrench.



7078TM17/17A

- ② Roll the teflon tape to the ring gear (59) and then combine with a L-wrench (after test of drain part water pressure and capacity and then assemble plug PT3/8).

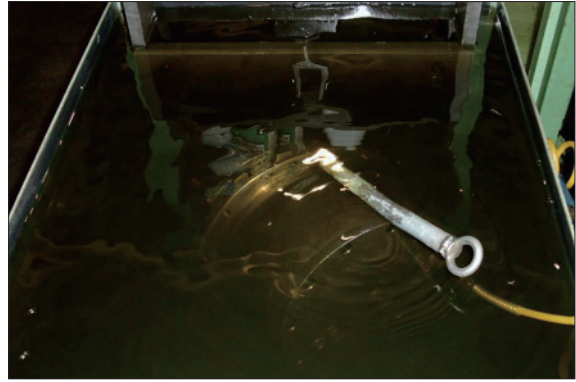


7078TM88

**(5) Test**

**① Motor pressure test**

- Check the oil leak for one minute by appearance test at air pressure 5 kgf/cm<sup>2</sup> (71 psi).



7078TM89

**② Performance test**

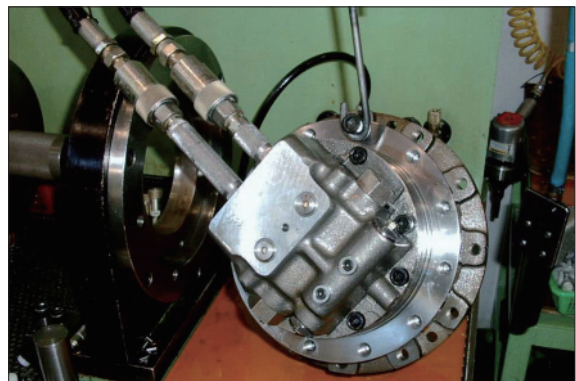
- Pour the gear oil (85W-140) by beaker at the reduction gear.



7078TM90

**③ Test bench mounting**

- Partially performance test by mounting the motor test bench.



7078TM91

## TRAVEL DEVICE (TYPE 2, MACHINE SERIAL NO. : #5982-)

### 1. REMOVAL AND INSTALL

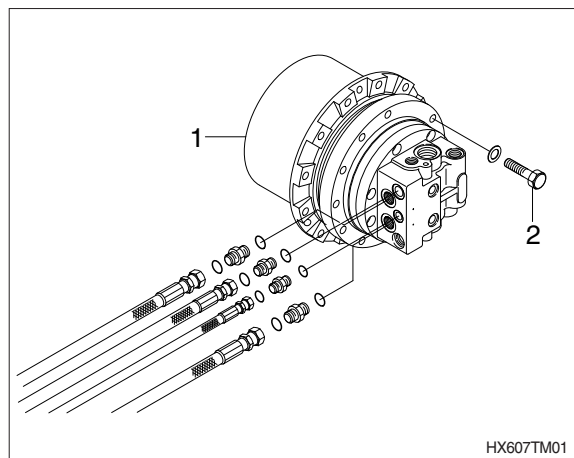
#### 1) REMOVAL

- (1) Swing the work equipment 90° and lower it completely to the ground.
- (2) Operate the control levers and pedals several times to release the remaining pressure in the hydraulic piping.
- (3) Loosen the breather slowly to release the pressure inside the hydraulic tank.

**▲ Escaping fluid under pressure can penetrate the skin causing serious injury.**

**※ When pipes and hoses are disconnected, the oil inside the piping will flow out, so catch it in oil pan.**

- (4) Remove the track shoe assembly.  
For details, see removal of track shoe assembly.
- (5) Remove the cover.
- (6) Remove the hose.  
**※ Fit blind plugs to the disconnected hoses.**
- (7) Remove the bolts and the sprocket.
- (8) Sling travel device assembly(1).
- (9) Remove the mounting bolts(2), then remove the travel device assembly.
  - Weight : 80 kg (180 lb)
  - Tightening torque :  $20 \pm 2.0$  kgf · m  
( $145 \pm 14.5$  lbf · ft)

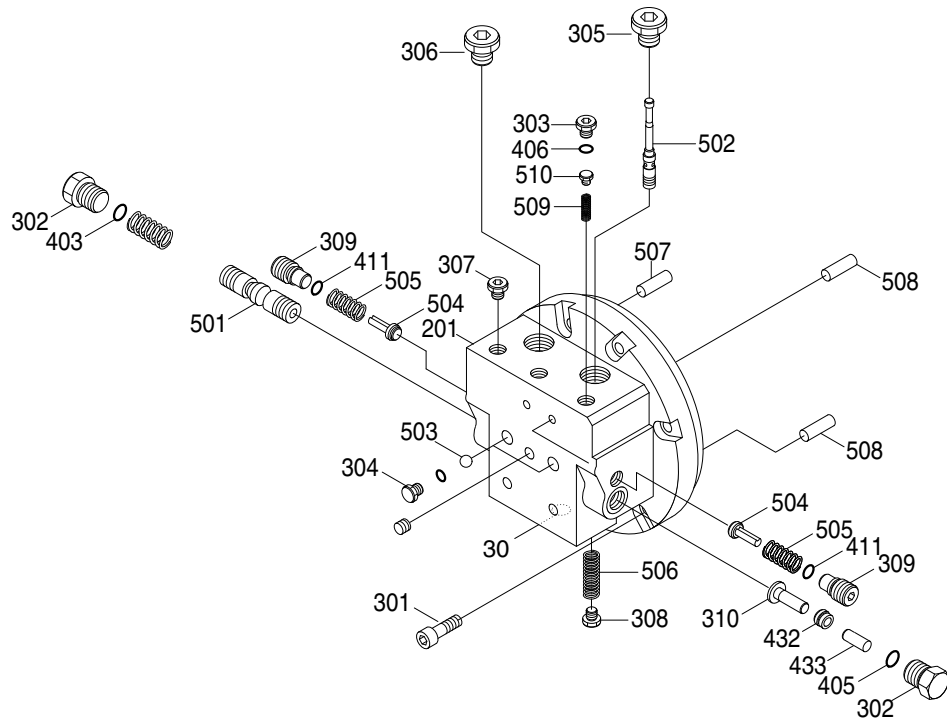


#### 2) INSTALL

- (1) Carry out installation in the reverse order to removal.
- (2) Bleed the air from the travel motor.
  - ① Remove the air vent plug.
  - ② Pour in hydraulic oil until it overflows from the port.
  - ③ Tighten plug lightly.
  - ④ Start the engine, run at low idling, and check oil come out from plug.
  - ⑤ Tighten plug fully.
- (3) Confirm the hydraulic oil level and check the hydraulic oil leak or not.



## PARTS LIST (2/2)



559A7TM06

30	Relief valve assy	309	Set plug	503	Steel ball
201	Valve casing	310	Restrictor	504	Plunger
301	Socket bolt	403	O-ring	505	Main spool spring
302	Plug	405	O-ring	506	2 speed spool spring
303	Drain plug	406	O-ring	507	Spring pin
304	NPTF plug	411	O-ring	508	Pin
305	Dust plug	432	Seat	509	Spring cap
306	Dust plug	433	Seat casing	510	Cap
307	Dust plug	501	Main spool		
308	2 speed plug	502	2 speed spool		



## 2) TOOLS AND TIGHTENING TORQUE

### (1) Tightening torque

This table shows the typical screw sizes and tightening torques used in the motor

Item	Part name	Size	Tightening torque	
			kgf · m	lbf · ft
30	Relief valve assy	G 1/2	11.2	81.0
301	Socket bolt	M14	16.3	118
302	ROH plug	G 1/4	3.6	26.0
303	Drain plug	G 3/8	7.5	54.2
304	NPTF plug	NPTF 1/16	1.1	8.0
308	2 speed plug	G 1/4	3.6	26.0
309	Set plug	G 3/4	17.3	125
310	Restrictor	NPTF 1/16	1.1	8.0
626	Pipe plug	RC 1/8	1.2	8.7
632	ROH plug	G 1/8	1.5	10.8

## (2) Tools

### ① Hexagon and socket wrench

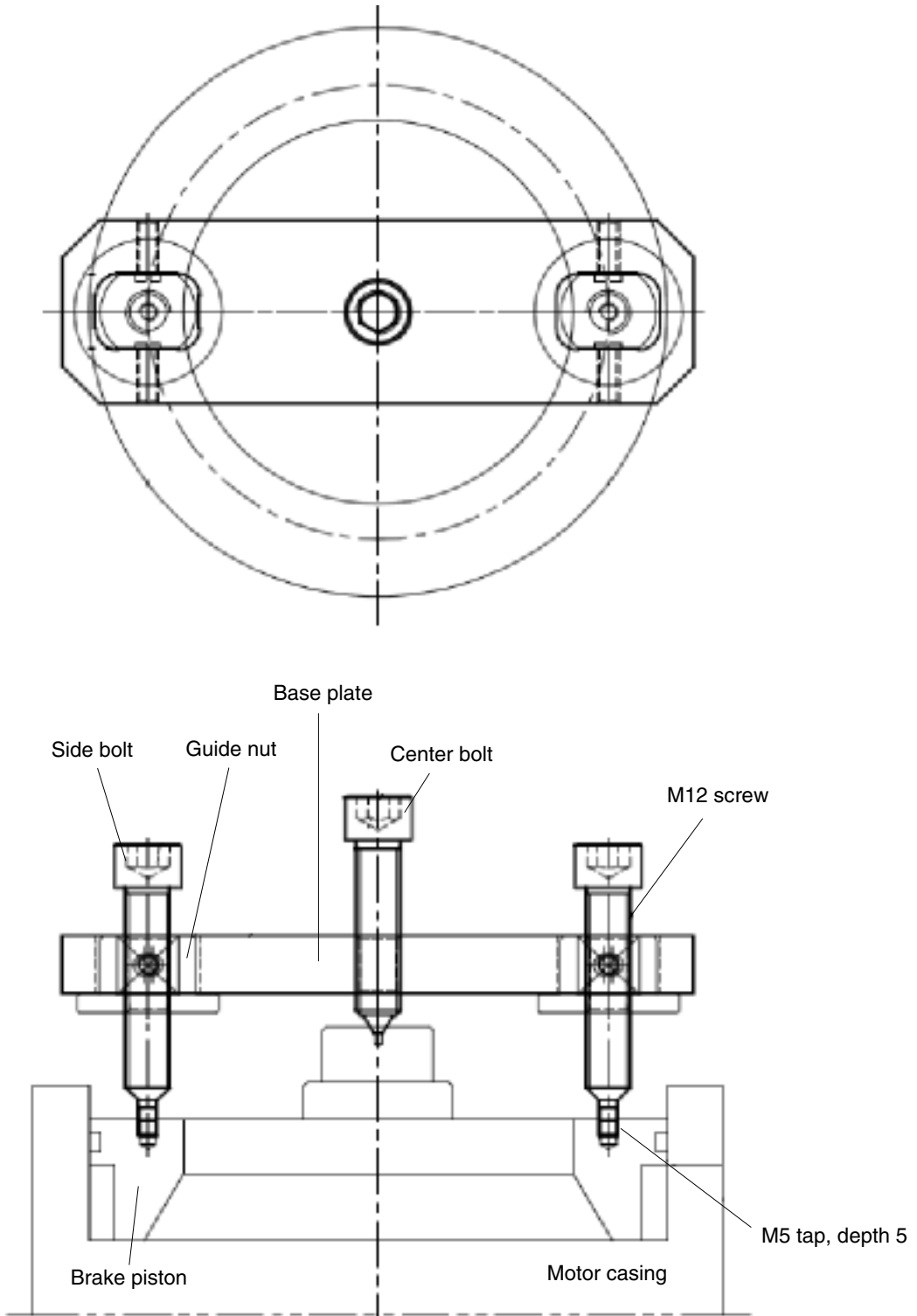
Tools	Item	Part name	B size	Screw size
Hexagon wrench	304, 310	NPTF plug, Restrictor	4	R 1/16
	626, 632	Pipe plug, ROH plug	5	R 1/8
	302, 308	ROH plug, 2 speed plug	6	G 1/4
	301	Socket bolt	12	M14
Socket wrench	303	Drain plug	22	G 3/8
	30	Relief valve assy	27	G 1/2
	309	Set plug	30	G 3/4
	30	Relief valve assy	8	M5

### ② Others

Tools	Specification
Driver	Screw driver (small, medium)
Hammer	Rubber or plastic hammer, iron hammer
	Round bar : about Ø45 mm x 150 mm
Bearing press jig	Round bar : about Ø60 mm x 150 mm
Torque wrench	Torque adjustment range
	- For 4~20 Nm
	- For 20~100 Nm
	- For 40~200 Nm
Slide hammer bearing puller	-
Brake piston disassembly jig	-
Brake piston press jig	-
Snap ring plier	Inner diameter

(3) Special tools

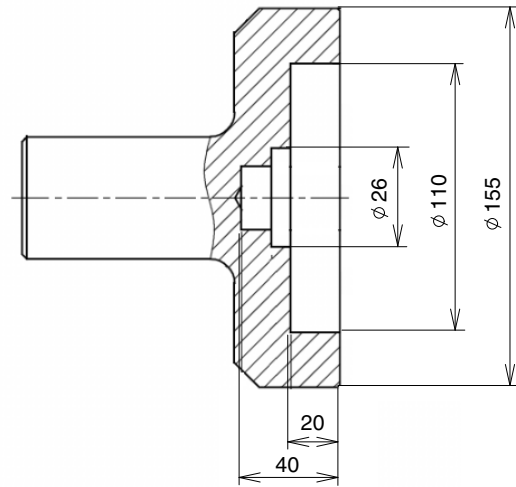
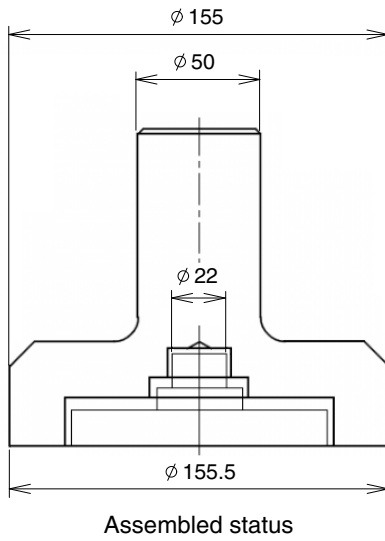
① Brake piston disassembly jig



559A7TM05

② Brake piston press jig

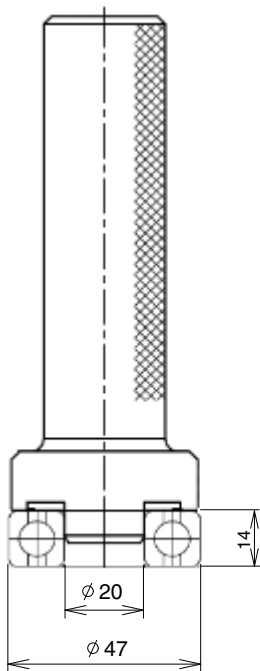
The below dimensions are the reference dimensions.



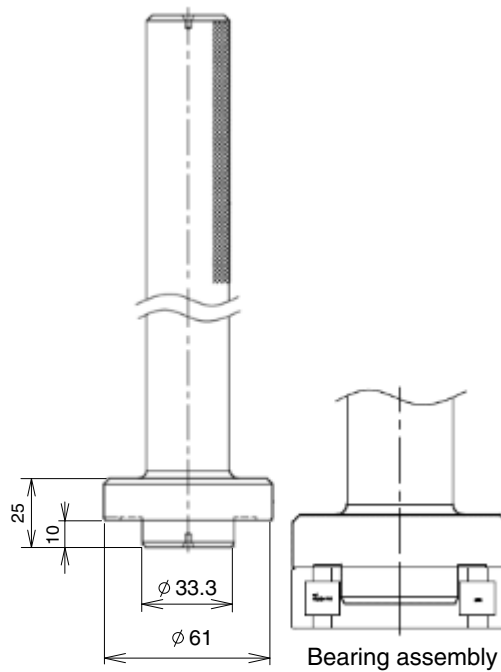
559A7TM10

③ Bearing press jig

The below dimensions are the reference dimensions.



Bearing pressing jig for valve casing



Roller bearing pressing jig for casing

559A7TM11

### 3) DISASSEMBLY

When disassembling the motor, disassemble in the order shown below. The number in brackets after part name means item number of section drawing.

(1) Wrap a wire rope around the outer periphery of the motor, lift it with a crane, and wash it with white kerosene. After washing, dry with compressed air.

※ The motor can be disassembled into an mounted state on the excavator. In this case, disassemble not to be got foreign materials: dust, mud, etc.

(2) Remove the oil in the casing (202) from the drain plug.

※ In the case of automatic 1-speed specification, 2 speed spool (502) may drop out during operation. Block pilot port with dust plug (306).



559A7TM12

(3) Disassembly is easily fixed to the workstation.

Place the shaft end of the drive shaft (103) facing down.

Mark the joint mark at the junction point of casing (202) and valve casing (201).

※ Choose a clean place.

Spread a rubber plate or cloth on the workbench to prevent friction and damage of the parts.

#### ■ Disassembly of valve casing kit

(4) Loosen the relief valve assy (30) and remove it from the valve casing (201).



559A7TM13



- (5) Disassemble the spring cap (510) → cap (509).



559A7TM14

- (6) Loosen the set plug (309), remove the plunger (504) and the main spool spring (505).  
Then take out the main spool (501).

- ※ Main spool is disassembled in the horizontal direction with the hole. Be careful not to scratch the sliding surface of the main spool.



559A7TM15



559A7TM16

- (7) Loosen the 2 speed plug (308), take out the 2 speed plug spring (506) and the 2 speed spool (502).

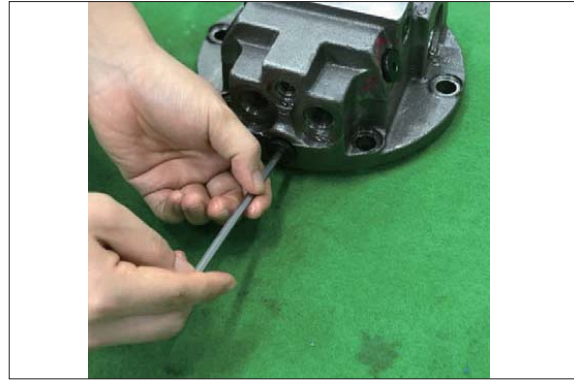


559A7TM17

(8) The following operations should be carried out if necessary.

① Loosen the ROH plug (302) and remove the restrictor (310).

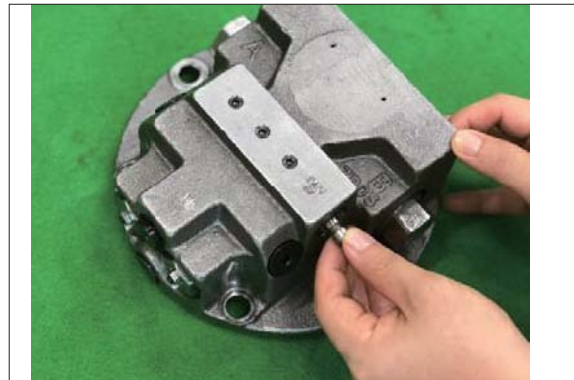
※ If there is no problem with the 1st / 2nd speed switching, no special disassembly is required.



559A7TM18

② Release ROH plug (302) and disassemble in the following order: Seat casing (433) → steel ball (503) → seat (432).

※ If there is no problem with the 1st / 2nd speed switching, no special disassembly is required. Please be careful about the loss of the steel ball. Please be careful not to damage the inner diameter of the seat casing and seat.



559A7TM19

(9) Loosen socket bolt (301) and remove valve casing (201) from casing (202).

※ (Due to the force of the brake spring E (117), when the socket bolt (301) is unscrewed, the valve casing (201) is raised from the casing (202). Further, remove the valve plate (108) from the valve casing (201).



559A7TM20

Carefully work so that the valve plate does not fall off the valve casing.

※ In some cases, the valve plate is attached to the cylinder block.

Be careful not to scratch the sliding surface and mating surface when you disassemble the mating surface with a screwdriver or the like.



559A7TM21



559A7TM22

## ■ DISASSEMBLY OF MOTOR BODY

(10) Remove the brake spring (117) from the brake piston (114).



559A7TM25

(11) Using the jig, remove the brake piston (114) from the casing (202). No.16

※ If you need to disassemble without jig, Fill the brake flow path hole with compressed air.

If you blow compressed air suddenly brake piston can jump out of casing.

There is a risk of damage or injury to the part;

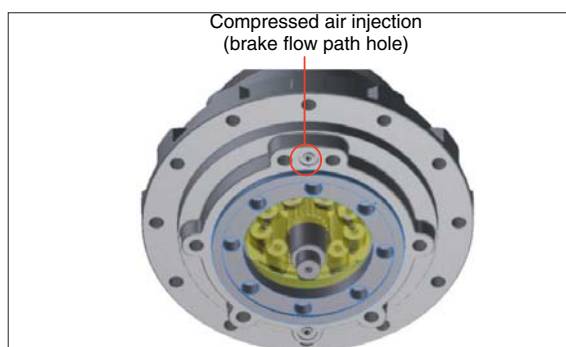
Please follow the directions below.

- ① Cover the casing with a clean cloth.
- ② Press the cloth lightly with your hand to prevent the brake piston from jumping out.
- ③ Fill the brake flow path hole with compressed air.

※ Both ends of the jig are hooked to the groove of the brake piston. The center of the jig is hooked to the center of the drive shaft and makes the jig and brake piston parallel.



559A7TM26



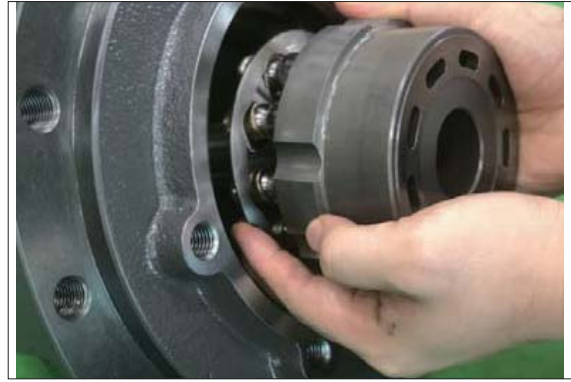
559A7TM40



(12) Put the motor horizontally.

Disassemble cylinder block (104) from drive shaft (103).

Also, disassemble piston assy (10), set plate (106), spherical bush (105), cylinder spring (107).



559A7TM31

※ Mark each cylinder block bore, piston assy, and set plate bore in the assembled position so that the assembled position does not change.

Be careful not to scratch the sliding surface of cylinder block, piston, shoe, etc.



559A7TM32



559A7TM33



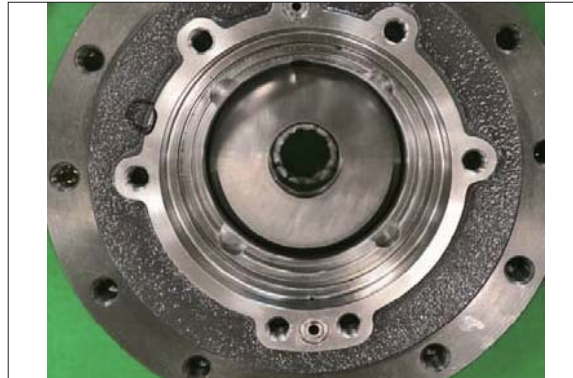
559A7TM34

(13) Disassemble friction plate (118) and separator plate (119) in casing (202).



559A7TM35

(14) Disassemble the drive shaft (103) and swash plate (109).



559A7TM37

(15) Disassemble swash piston assy (20), swash piston spring (511), pivot (112), pivot pin (113).



559A7TM38



(16) Do not disassemble any further unless there is a specific problem. At this state, check bearing according to the following inspection instructions.

- ① Check the raceway surface, rollers or balls in the visible range, and make sure there are no pittings or cracks.
- ② Check for local corrosion and wear on the ball or roller.
- ③ Make sure that there is excessive wear powder between the ball or roller and cage.
- ④ When turning lightly by hand, check that it rotates smoothly.

If there is no problem after checking in this step, the following disassembly is not necessary.



559A7TM41

(17) The following operations should be carried out if necessary.

From the casing (202), the outer ring of the cylindrical roller bearing (115) is tapped lightly from the housing part side of the oil seal (408) via the steel bar and is pulled out.

※ Do not reuse the removed roller bearing.

(18) Disassemble the snap ring (410) using a snap ring plier (inner diameter) in casing (202).

(19) From the casing (202), the gently tap out the housing side of the oil sea (408) is tapped lightly from the rear of the casing (202) via the steel bar and is pulled out.

※ Do not reuse the removed oil seal.

(20) Remove the cylindrical ball bearing (116) from the valve casing (201) using the slide hammer bearing puller.

※ Do not reuse the removed ball bearing.

※ The disassembly operation is finished. Please check that there is no problem in each part.

#### 4) ASSEMBLY

(1) The assembly way is the reverse of the disassembly way, but be careful of the following items.

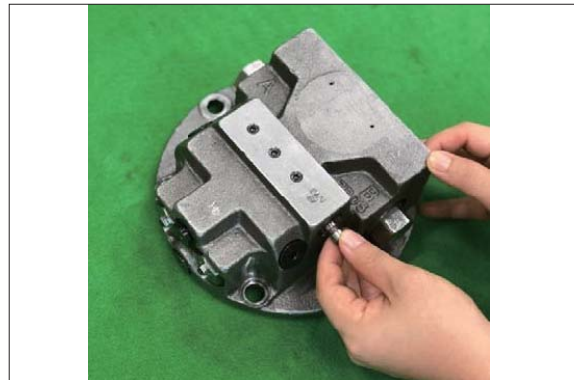
- ① Be sure to repair damaged parts during disassembly. Please prepare replacement parts in advance.
- ② Wash each part thoroughly with wash liquid and dry with compressed air.
- ③ Be sure to coating clean hydraulic oil to sliding parts, bearings, etc. and assemble them.
- ④ In principle, should replace seal parts such as O ring and oil seal.
- ⑤ Use the torque wrench to tighten the mounting bolts and plugs of each part, and tighten with the torque shown in page 7-99-4.

#### ■ ASSEMBLY OF VALVE CASING KIT

(2) This operation is necessary only when the seat assy is removed.

Assemble seat (432) → steel ball (503)  
→ seat casing (433) → ROH plug (302)  
in this order.

- ※ Please pay attention to the assembly sequence.  
Refer to section drawing.



559A7TM19

(3) This operation is necessary only when the restrictor is removed.

Apply loctite on the restrictor (310) and assemble to casing (21). And tighten ROH plug (302) with specified torque.



559A7TM18

(4) Assemble the 2 speed spool (502), the 2 speed spool spring (506), the 2 speed plug (308).



559A7TM17

(5) Assemble main spool (501), Plunger (504) → main spool spring (505) → O-ring (411) → Assemble set plug (309) in order.

※ Make sure the main spool moves smoothly.

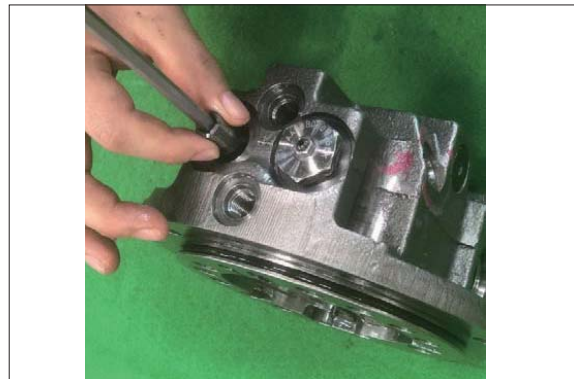


559A7TM16



559A7TM15

(6) Assemble the cap (509).



559A7TM14

(7) Assemble the spring cap (510) to the relief valve assy (30). Attach the relief valve to the valve casing (201).

※ It is advisable to apply grease thinly on the mating surface of spring cap to prevent falling off.



559A7TM13

## ■ ASSEMBLY OF MOTOR BODY

(8) Place the casing (202) on the work surface with the valve casing (201) assembly surface facing up.

(9) Insert the oil seal (408) into the casing (202) using a jig.

※ Pay attention to the direction of the oil seal. (refer to cross-section drawing)  
Apply grease thinly to the lip portion of the oil seal.

Hit it uniformly and be careful not to scratch the outer circumference.

(10) Assemble the snap ring (410) using the snap pliers (internal diameter) on the casing (202).

※ The snap ring "R" faces the oil seal.

(11) The outer ring of the cylindrical roller bearing (115) is tapped lightly on the casing (202) via the bearing press jig and incorporated.



559A7TM39

(12) Assemble pivot pin (113), pivot (112) to casing (202).



559A7TM38

(13) Assemble swash piston spring (511) and swash piston assy (20) to casing (202).

※ It is advisable to apply grease thinly on the mating surface of swash piston spring to prevent falling off.

When assembled normally, the pushed swash piston assy goes deeper than the casing stage.

Make sure the swash piston assy moves smoothly.



559A7TM38

(14) Place casing (202) horizontally and insert swash plate (109).

※ Make sure the swash plate moves smoothly.



559A7TM37

(15) The drive shaft (103) is attached to the casing (202).

※ Carefully insert so that the lip of the oil seal will not be scratched.

Assemble by applying oil to the oil seal assembly of drive shaft.

When assembled normally, the pushed swash piston assy goes deeper than the casing stage.

Make sure the swash piston assy moves smoothly.



559A7TM36



(16) Set the cylinder spring (107) and the spherical bush (105) into the cylinder block (107). and insert the piston assy. (10) to the bore of set plate (106).

- ※ Assemble the Larger outer diameter face of set plate and the sliding movement face of shoe in the same direction.  
(Refer to section drawing)



559A7TM34



559A7TM33

(17) The piston assy (101) set on the set plate (106) is assembled in the cylinder block (104).

And the cylinder block sub assembled is inserted in accordance with the spline of the drive shaft (103) to casing (202).

- ※ Before assembly, apply oil to the surface of cylinder bore or piston.
- ※ It is easy to insert into drive shaft by matching spline of cylinder block and the spherical bush.
- ※ After assembly, try rotating the cylinder block lightly in the forward and reverse directions by hand.



559A7TM32

(18) Place casing (202) with the valve casing (201) assembly surface of casing (202) facing up.

Separator plate (119) and friction plate (118) are alternately assembled to casing (202).

- ※ Put the separator plate in arc groove of casing.
- ※ Please refer to the assembly drawing for the number of assembly of the separator plate and friction plate.



559A7TM30



559A7TM29

(19) Install the O-ring (118, 401) and the back up ring (409) on the brake piston (114).

- ※ Back up ring is installed to the valve casing direction.
- ※ If the grease is lightly applied to the O-ring, it will not be cut when the brake piston is inserted.



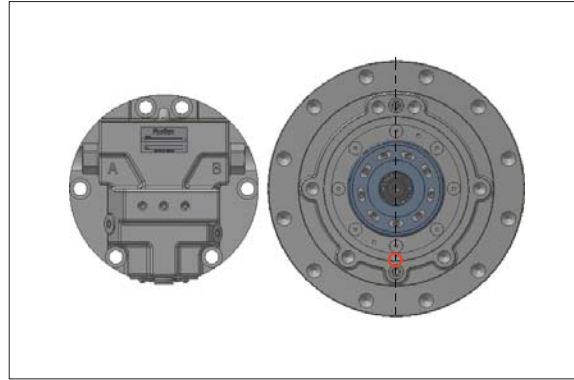
559A7TM28

(20) The brake piston (114) is tapped lightly via the brake piston press jig and pressed into casing (202).



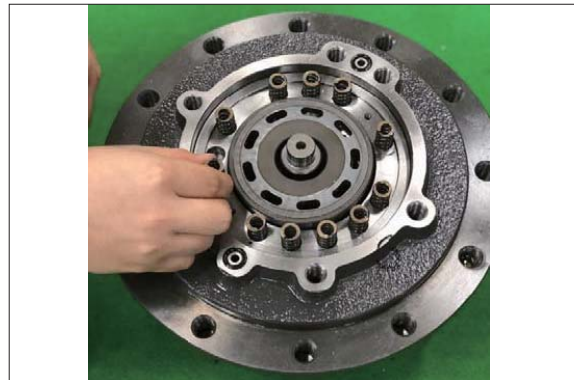
559A7TM27

- ※ Pay attention to the assembly direction of the brake piston. The orifice of the brake piston is located downward on the same vertical line as the flow hole in casing.



559A7TM42

- (21) Attach the brake spring (117) to the brake piston (114).
- (22) Attach the O-ring (402) to the casing (202).



559A7TM25

- (23) This term is necessary only when the cylindrical ball bearing (116) is removed. The outer ring of the cylindrical ball bearing (116) is tapped lightly on the valve casing (201) via the bearing press JIG and incorporated.



559A7TM24

(24) The valve plate (108) is installed in the valve casing (202) and the O-ring (401) is mounted.

- ※ Apply grease thinly to the joint surface of the valve plate. (prevention of dropout)



559A7TM23



559A7TM22

(25) Attach the valve casing (201) to the casing (202) and fasten it with a socket bolt (301).

- ※ Be careful not to remove the valve plate.  
Be careful not to tilt the brake spring.  
Tighten the socket bolt evenly until specified torque.



559A7TM21

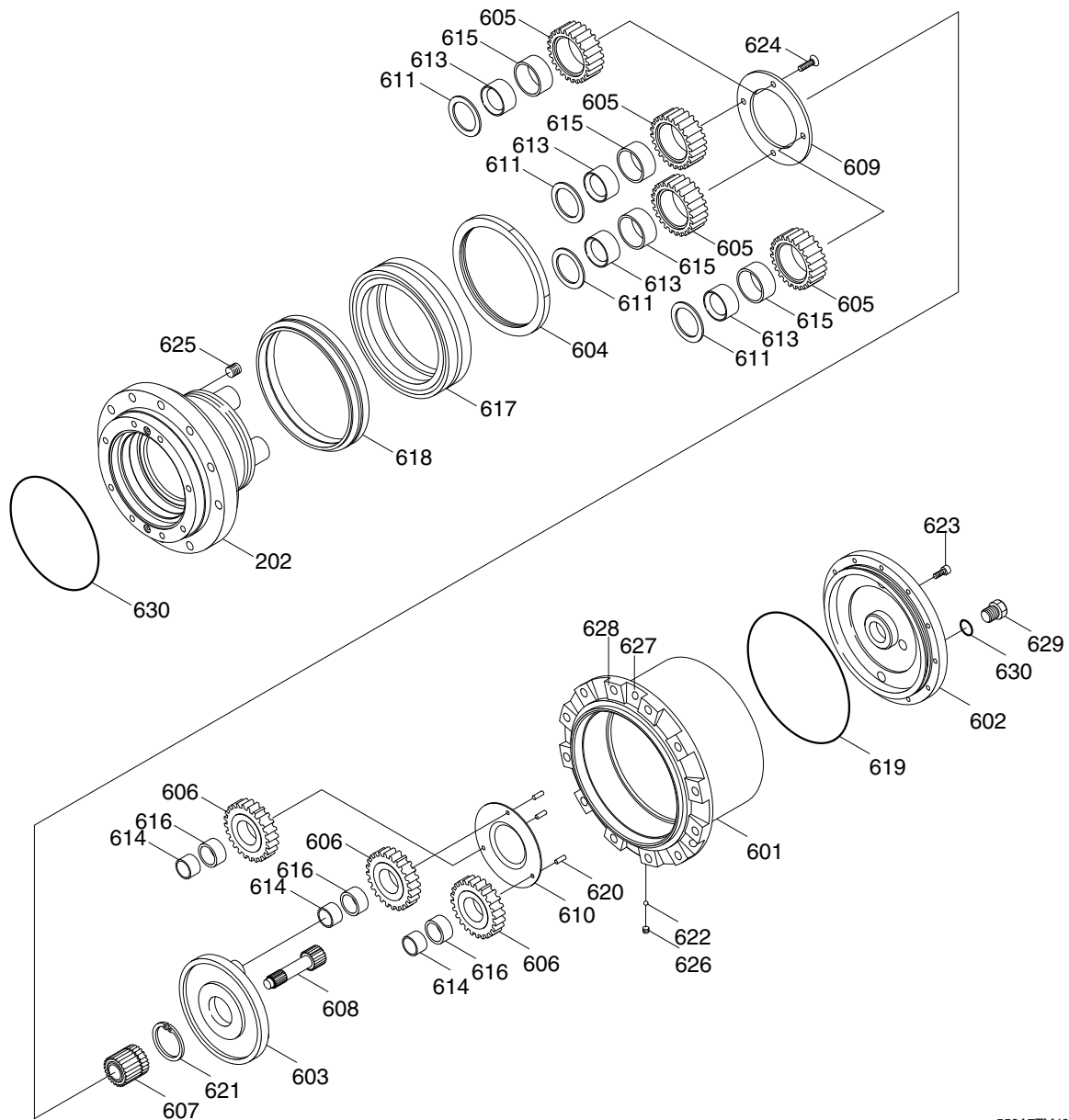


559A7TM20

- ※ Assembly is completed with the above.

### 3. DISASSEMBLY AND ASSEMBLY OF REDUCTION GEAR

#### 1) PARTS LIST



559A7TM49

202	Reducer casing	610	Thrust plate R	621	Snap ring
601	Housing	611	Thrust washer	622	Steel ball
602	Cover	613	Collar	623	Socket bolt
603	Holder	614	Inner race	624	Bolt
604	Ring nut	615	Needle bearing	625	Plug
605	Planetary gear F	616	Needle bearing	626	Plug
606	Planetary gear R	617	Angular bearing	627	Side plate A
607	Sun gear	618	Floating seal kit	628	Side plate B
608	Ring nut	619	O-ring	629	Plug
609	Thrust plate F	620	Spring pin	630	O-ring



## 2) GENERAL PRECAUTIONS

This reduction gear is designed to reduce the number of parts and balance the life of the parts. Therefore, all parts can be supplied separately, but when replacing, it is often necessary to replace them both structurally and functionally.

Part number		Parts to be replaced at the same time														
		617	618	611	613	615	605	612	609	624	603	620	614	616	606	
Name of part		Angular bearing	Floating seal	Thrust washer	Collar	Needle bearing	Planetary gear F	Thrust washer	Thrust plate F	Ext. flush bolt	Holder	Spring pin	Inner race	Needle bearing	Planetary gear R	
Replace- ment parts	617	Angular bearing	—	○												
	618	Floating seal	△	—												
	611	Thrust washer			—	△	△	△	△	○	○					
	613	Collar			△	—	○	○	△	○	○					
	615	Needle bearing			△	○	—	○	△	○	○					
	605	Planetary gear F			△	△	△	—	△	○	○					
	612	Thrust washer			△	△	△	△	—	○	○					
	609	Thrust plate F			△	△	△	△	△	—	○					
	624	Ext. flush bolt			△	△	△	△	△	○	—					
	603	Holder														
	620	Spring pin											No disassembly			
	614	Inner race											Please replace the entire No.1 holder assy.			
	616	Needle bearing														
	606	Planetary gear R														

○ Indicates parts that must be replaced at the same time.

▲ Indicates parts that is desirable to be replaced at the same time.

※ Be sure to replace the bearing inner and outer rings at the same time.

## 2) TOOLS AND TIGHTENING TORQUE

### (1) Tightening torque

This table shows the typical screw sizes and tightening torques used in the reduction gear.

Item	Part name	Size	Tightening torque	
			kgf · m	lbf · ft
604	Ring nut	M165	18	130
623	Socket bolt	M6	1.2	8.7
624	Ext flush bolt	M8	3	21.7
625	Pipe plug	RC 3/8	10	72.3
626	Pipe plug	RC 1/8	1.2	8.7
629	RO plug	G 1/2	8.4	60.8
632	ROH plug	G 1/8	1.5	10.8

### (2) Tools

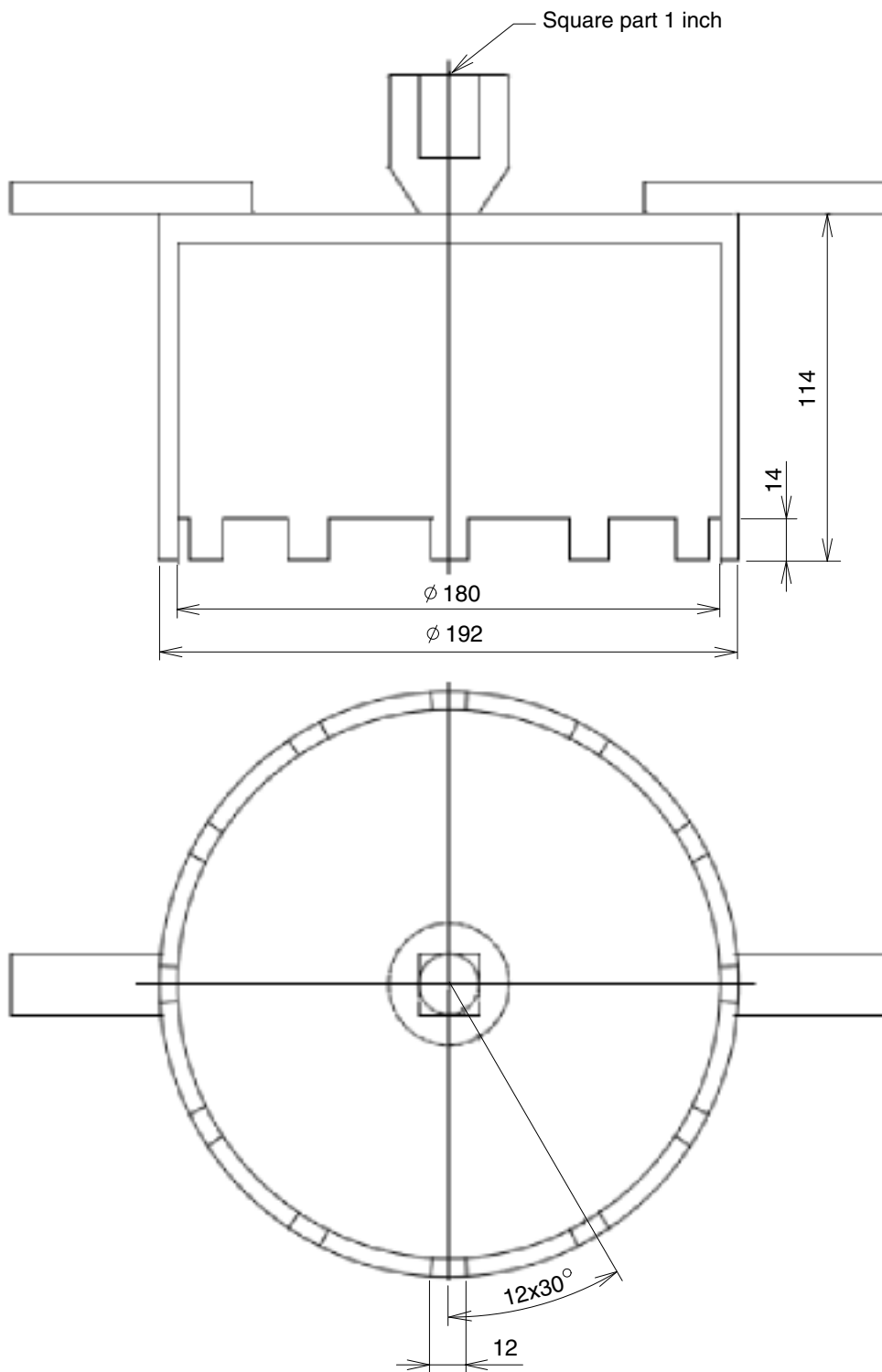
#### ① Hexagon wrench and exclusive jig

Tools	Item	Part name	B size	Screw size
Hexagon wrench	626	Pipe plug	5	R 1/8
	625	Pipe plug	8	R 3/8
	629	RO plug	10	G 1/2
	623	Socket bolt	5	M6
	624	Ext flush bolt	6	M8
Exclusive jig	604	Nut ring	-	M165

#### ② Others

Tools	Specification
Driver	Screw driver (small, medium)
Hammer	Rubber or plastic hammer, iron hammer
Torque wrench	Torque adjustment range
	- For 4~20 Nm
	- For 20~100 Nm
	- For 40~200 Nm
Snap ring plier	Outer diameter
Nut ring disassembly and assembly jig	-

(3) Special tools



559A7TM50

#### 4) ASSEMBLY

##### (1) Disassembly and assembly tips

- ① When disassembling, be careful not to damage the parts.
- ② Wash each part with washing oil and dry it with compressed air.
- ③ The numbers in parentheses after the part name represent the symbols of the cross-sectional drawing.

- (2) Wrap a wire rope around the outside of the traveling device to lift it with a crane. Then wash with white kerosene. After washing, dry with compressed air.



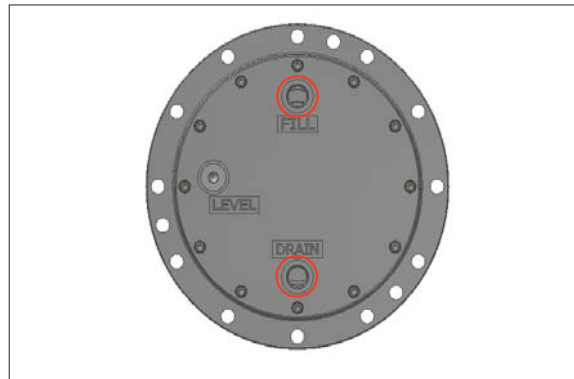
559A7TM51

- (3) Make sure that the fill plug (629) and drain plug (629) shown in the dimensional installation drawing are perpendicular to the horizontal plane.

Unplug both ports and remove the gear oil.

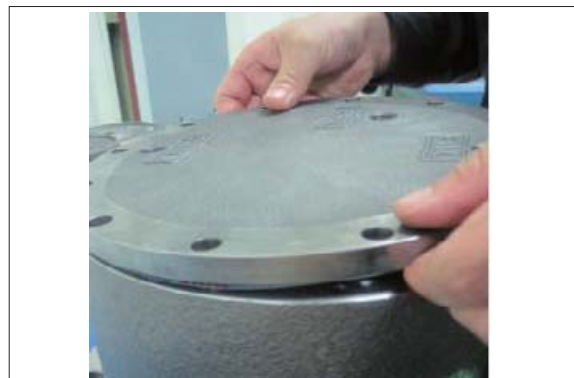
Place it on a suitable base.

- ※ Receive the gear oil in a clean container and inspect the presence and presence of wear powder.



559A7TM52

- (4) Loosen the socket bolt (623) and disassemble the cover (602).



559A7TM53

- ※ Be careful not to damage the O-ring (619) of the cover during disassembly.

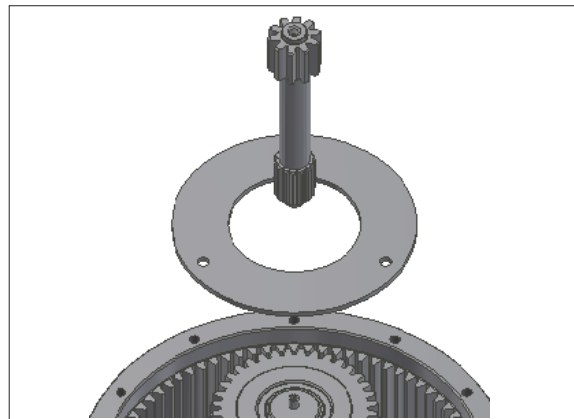


559A7TM54

- (5) Disassemble thrust plate R (610), drive gear (608).



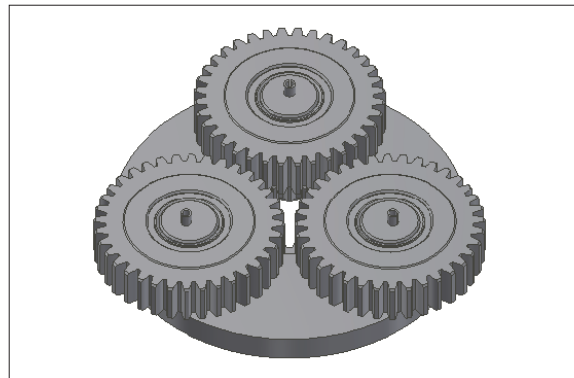
559A7TM55



559A7TM56

- (6) Disassemble the No.1 holder assembly with the planetary gear R (606) attached.

- ※ No. 1 holder assy components are as follows.
  - Holder (603)
  - Spring pin (620)
  - Planetary gear R (606)
  - Needle bearing (616)
  - Inner race (614)



559A7TM57



(7) Disassembly of No.1 holder assy

Do not disassemble the No.1 holder assy further.

In this state, check the parts according to the inspection instructions shown in section 6.

As mentioned above, it is recommended to exchange No.1 holder assy as a set as much as possible.

Please follow the instructions below when you are forced to exchange parts.



559A7TM58

① Disassemble in the order of planetary gear R (606) → Needle bearing (616) → Inner race (614).

② Unplug the spring pin.

※ Mark each planetary gear, needle bearing, and inner race in the assembled position so that each combination and assembly position does not change.

※ When disassembling the spring pin, do not reuse it.



559A7TM59

(8) Disassemble the sun gear (607).

Then, the snap ring (621) is separated from the sun gear (607) using a snap ring pliers.



559A7TM60



559A7TM61

(9) Disassemble the No.2 holder assy.

(10) Disassembly of No.2 holder assy

Do not disassemble any more No.2 holder assy unless otherwise specified.

In this state, check the parts according to the inspection instructions shown in section 6.

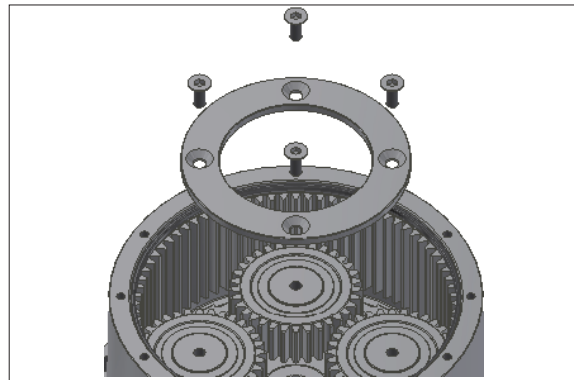
As mentioned above, it is recommended to exchange No.2 holder assy as a set as much as possible.

Please follow the instructions below when you are forced to exchange parts.



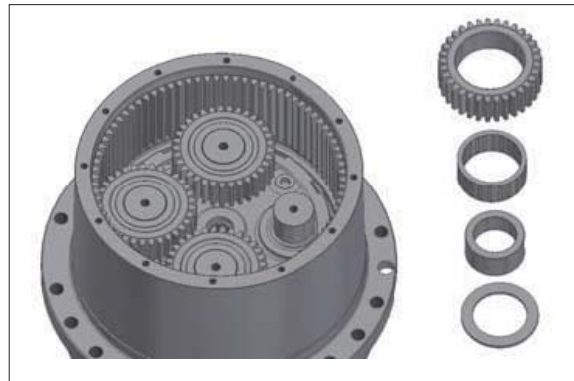
559A7TM62

- ① Apply enough heat to ext flush bolt(624)
- ② Disassemble thrust plate F (609).
- ③ Disassemble in the order of thrust plate F (609) → Planetary gear F (605) → Needle bearing (615) → Collar (613) → Thrust washer (611)



559A7TM63

- ※ Mark each planetary gear, needle bearing, and inner race in the assembled position so that each combination and assembly position does not change.



559A7TM64

(11) Do not disassemble any further unless there is a specific problem.

In this condition, check the parts according to the inspection instructions shown in Section 1-2.

- ※ If there is no problem after checking in this step, the following disassembly is not necessary.

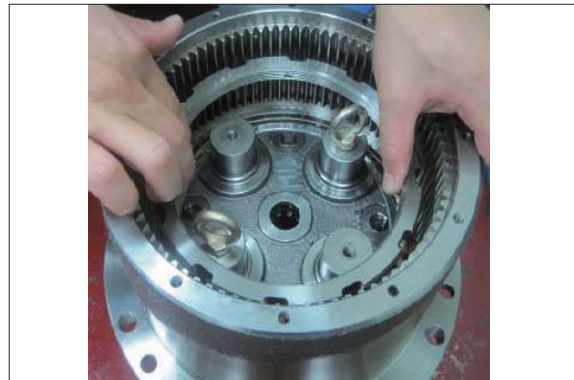
(12) Disassemble pipe plug (625).

- ※ When disassembling the pipe plug (625),  
Do not reuse.



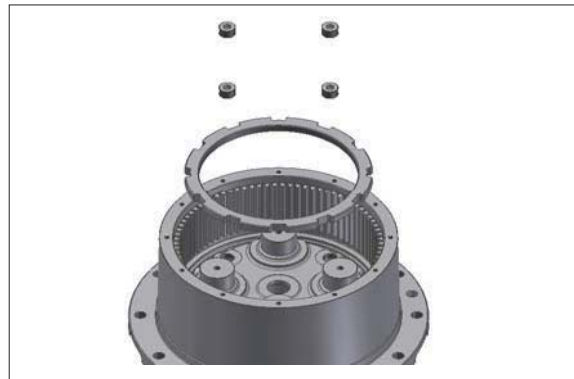
559A7TM65

(13) Disassemble the nut ring (604).



559A7TM66

- ※ Please disassemble the nut ring using the  
dedicated jig referring to the attachment.

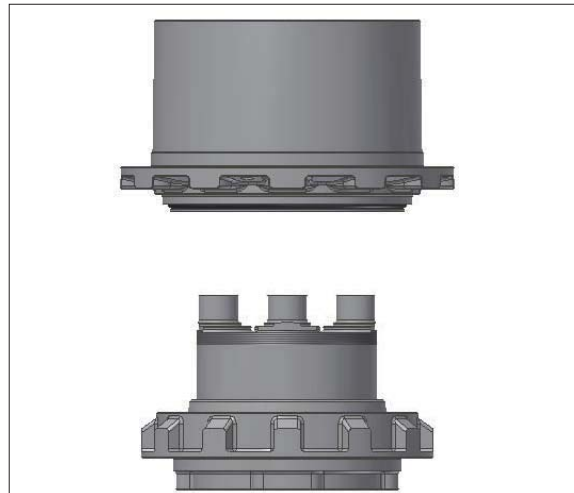


559A7TM67

(14) Disassemble casing (202) from housing (601).



559A7TM68



559A7TM69

(15) After disassembling the pipe plug (626), remove the steel ball (622).

- ※ The number of steel ball is 105.  
When disassembling, be sure to check the number of balls.



559A7TM70

(16) Disassemble the floating seal kit (618).



559A7TM71

(17) Disassemble angular bearing (617).



559A7TM72

※ Use a press for disassembly.



559A7TM73

※ The disassembly process is finished.



## 5) ASSEMBLY

- (1) After placing angular bearing (617) on housing (601), press the angular bearing (617) using a press.



559A7TM72

- ※ Assemble the protrusion of the inner ring face down.



559A7TM73

- (2) Insert 105ea steel ball (622) into housing (601) and tighten the pipe plug (626).

- ※ Pipe plug is assembled by wrapping Teflon tape.  
After assembling the pipe plug, check if the cloud condition of the angular bearing is smooth.

- (3) Assemble the floating seal kit (618) using dedicated jig for casing (202) and housing (601).



559A7TM74

- ※ Before assembling, check the metal surface of the floating seal for cracks, dents, and O-ring damage.  
Do not apply oil to the floating seal rubber part.  
After assembling the floating seal, check if there are any deviations.



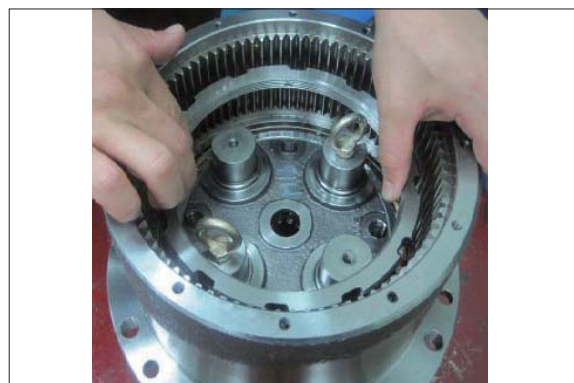
559A7TM75

- (4) Using a press, assemble the housing sub on the casing (202).
- ※ Floating seal are located on the same circumference.  
Rotate so that the floating seal is in place.



559A7TM68

- (5) Use the nut ring disassembly jig to assemble the nut ring (604).
- ※ After tightening, check the gap between casing and housing (0.5 ~1.5 mm) with a gauge.



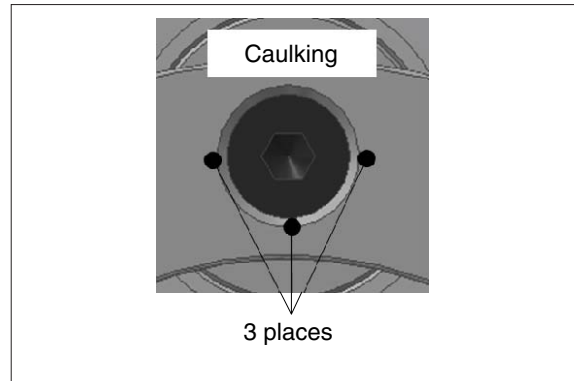
559A7TM66

- (6) Tighten pipe plug (625).



559A7TM65

- ※ Caulking is performed to prevent loosening around the assembly.



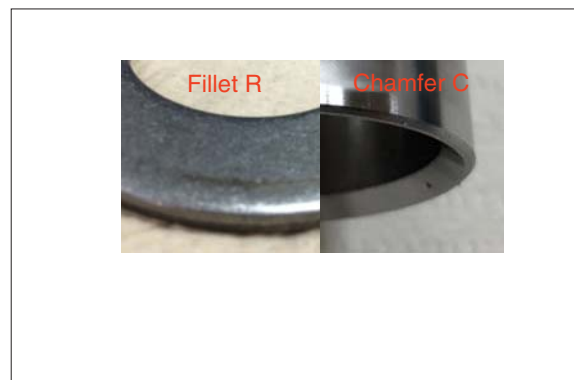
559A7TM76

- (7) Assemble the No. 2 holder assy  
Assemble in the order of thrust washer (611) → Collar (613) → Needle bearing (615) → Planetary gear F (605)



559A7TM64

- ※ The thrust washer R part is assembled in the bearing direction and the chamfered part of the collar is assembled in the casing direction.



559A7TM77

- (8) Assemble the thrust plate F (609), ext flush bolt (624).
- ※ Assemble ext flush bolt by applying loctite in the axial direction.

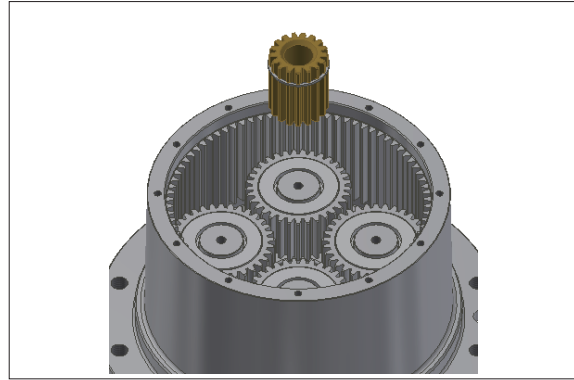


559A7TM60

(9) Fasten snap ring (621) to sun gear (607) using snap ring pliers. And assemble in the center of planetary gear F.

※ Assemble R part of snap ring toward cover.

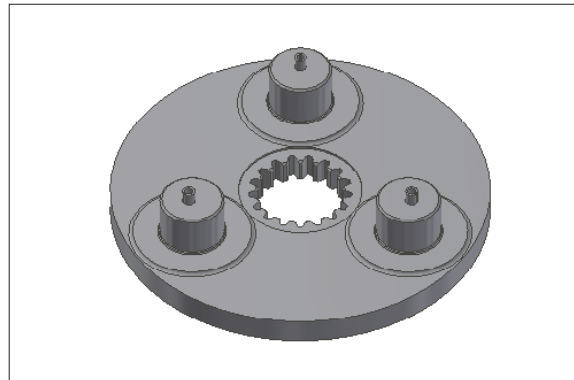
Sun gear is assembled with the long end facing toward casing.



559A7TM78

(10) Assemble the No.1 holder Assy.

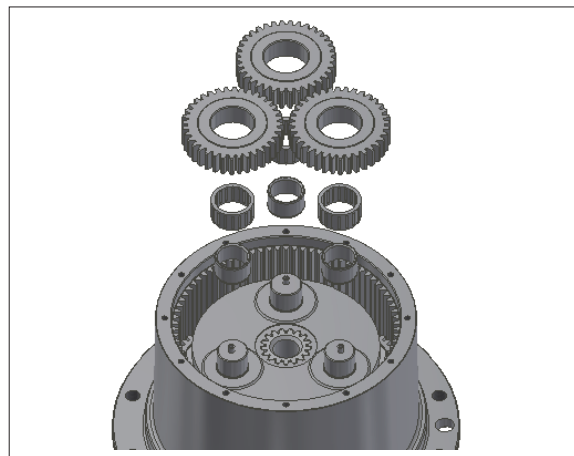
Assemble spring pin (620) to holder (603).



559A7TM79

(11) Assemble the holder sub to the sun gear (607).

Then, assemble inner race (614) → Needle bearing (616) → planetary gear R.



559A7TM80

※ When assembling planetary gear R, assemble the convex part in the direction of thrust plate R.

※ Check the rotation status.



559A7TM81

(12) Assemble drive gear (608) and thrust plate R (610).



559A7TM55

(13) Assemble the O-ring (619), side plate A (627) and side plate B (628) on the cover (602).

※ After assembling the side plate B, remove any debris from the side.



559A7TM82

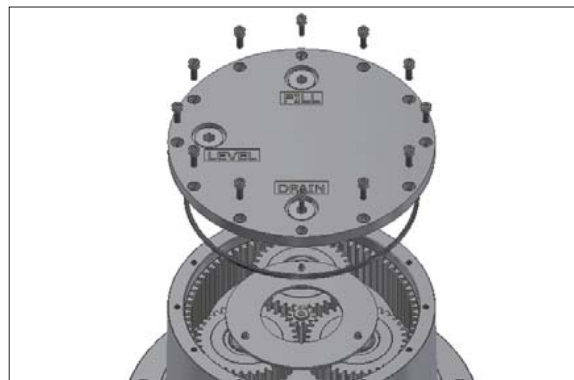
(14) Assemble cover sub to housing.



559A7TM53

(15) Assemble the socket bolt (623).

※ Assemble by applying loctite in the direction of the socket bolt axis.



559A7TM54

※ The assembly process is finished.



## GROUP 7 RCV LEVER

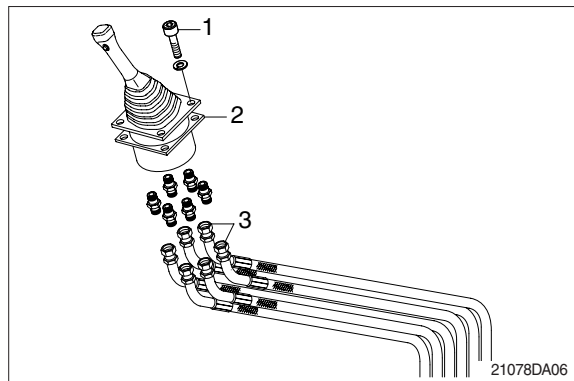
### 1. REMOVAL AND INSTALL

#### 1) REMOVAL

- (1) Lower the work equipment to the ground and stop the engine.
- (2) Operate the control levers and pedals several times to release the remaining pressure in the hydraulic piping.
- (3) Loosen the breather slowly to release the pressure inside the hydraulic tank.

**▲ Escaping fluid under pressure can penetrate the skin causing serious injury.**

- (4) Loosen the socket bolt (1).
- (5) Remove the cover of the console box.
- (6) Disconnect pilot line hoses (3).
- (7) Remove the pilot valve assembly (2).  
※ When removing the pilot valve assembly, check that all the hoses have been disconnected.

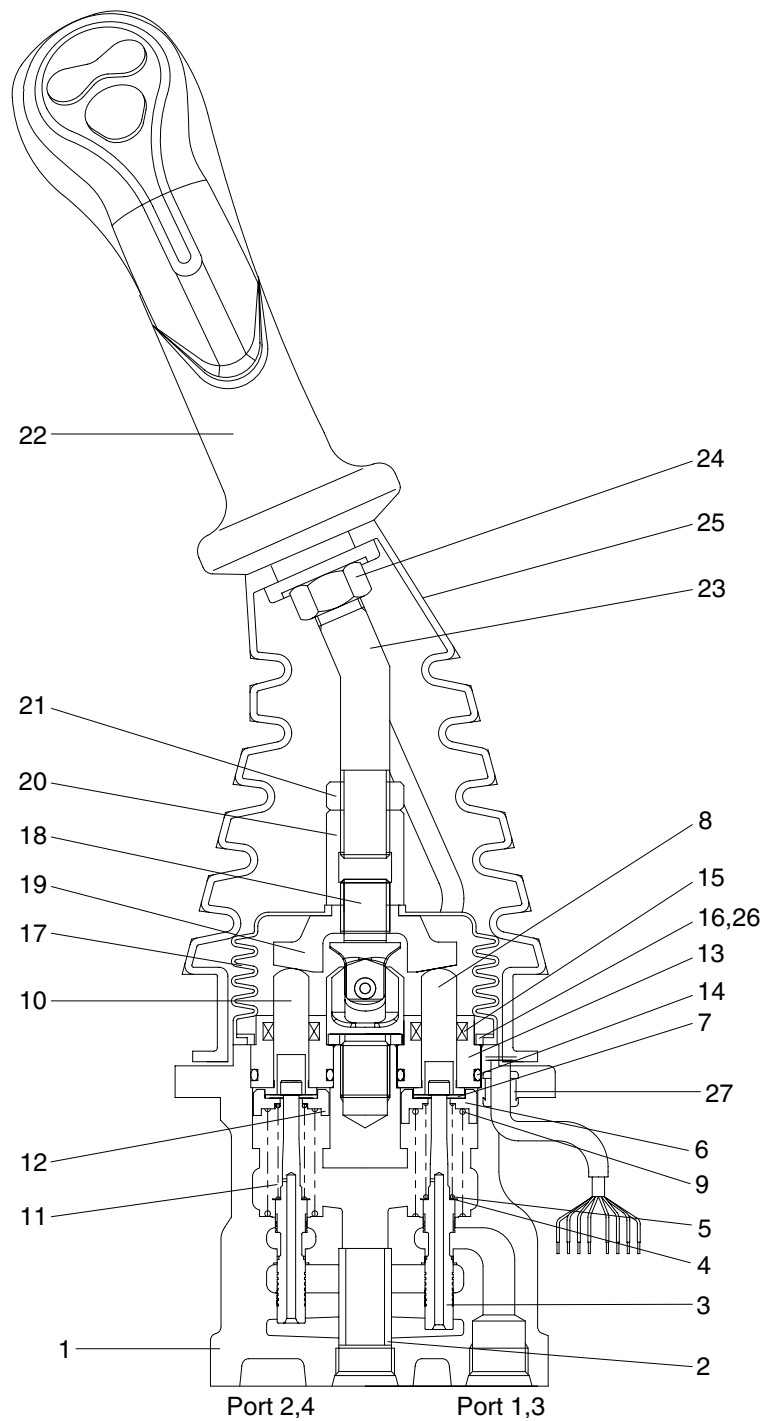


#### 2) INSTALL

- (1) Carry out installation in the reverse order to removal.
- (2) Confirm the hydraulic oil level and check the hydraulic oil leak or not.

## 2. DISASSEMBLY AND ASSEMBLY

### 1) STRUCTURE




60W9S2RL02

1	Case	8	Push rod	15	Rod seal	22	Handle assembly
2	Bushing	9	Spring	16	Plate	23	Handle bar
3	Spool	10	Push rod	17	Boot	24	Nut
4	Shim	11	Spring	18	Joint assembly	25	Boot
5	Spring	12	Spring seat	19	Swash plate	26	Spring pin
6	Spring seat	13	Plug	20	Adjusting nut	27	Bushing
7	Stopper	14	O-ring	21	Lock nut		

## 2) TOOLS AND TIGHTENING TORQUE

### (1) Tools

Tool name	Remark	
Allen wrench	6	
Spanner	22	
	27	
(+) Driver	Length 150	
(-) Driver	Width 4~5	
Torque wrench	Capable of tightening with the specified torques	

### (2) Tightening torque

Part name	Item	Size	Torque	
			kgf · m	lbf · ft
Joint	18	M14	3±0.2	14.5±1.4
Adjusting nut	20	M14	6±0.6	43.4±4.3
Lock nut	21	M14	6±0.6	43.4±4.3

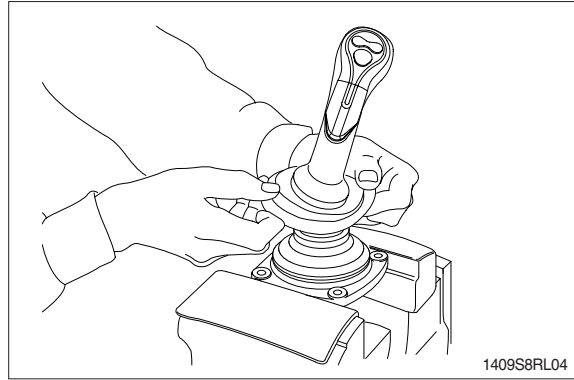
### 3) DISASSEMBLY

(1) Clean pilot valve with kerosene.

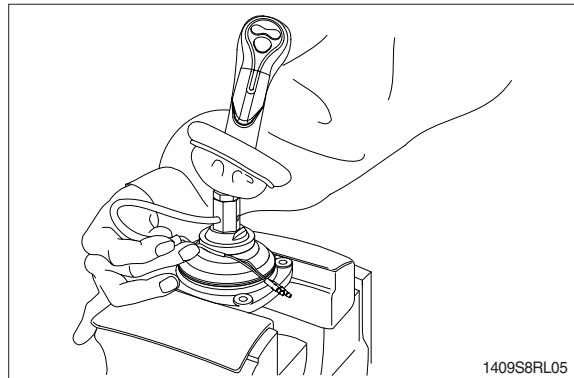
※ Put blind plugs into all ports

(2) Fix pilot valve in a vise with copper (or lead) sheets.

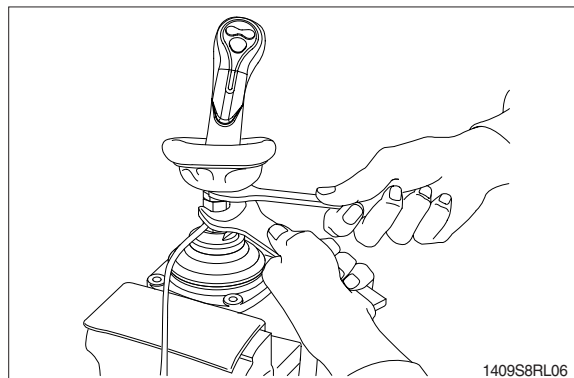
(3) Remove end of boot (25) from case (1) and take it out upwards.



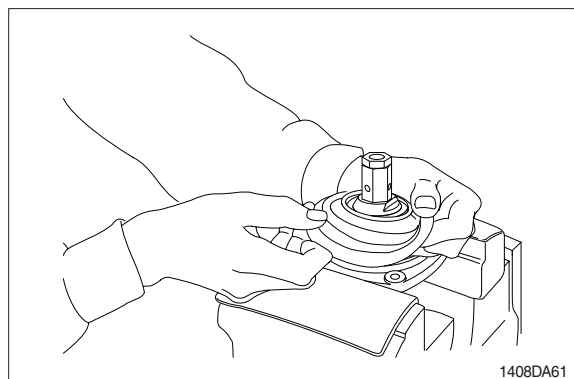
※ For valve with switch, remove cord also through hole of casing.



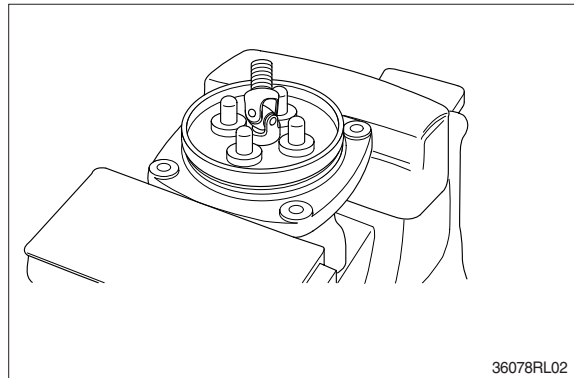
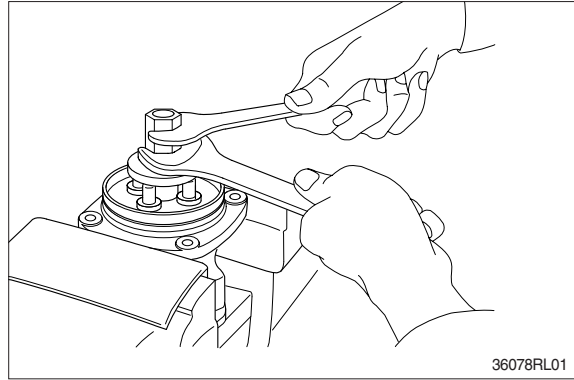
(4) Loosen lock nut (21) and adjusting nut (20) with spanners on them respectively, and take out handle section as one body.



(5) Remove the boot (17).

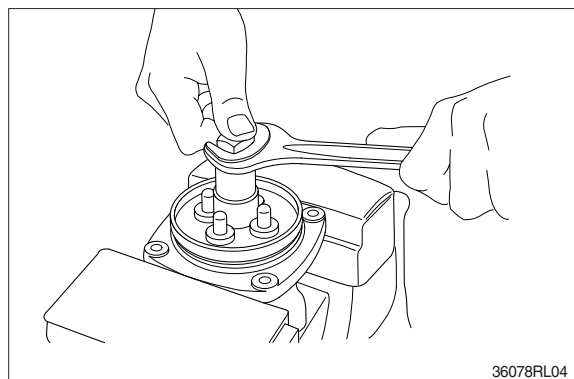
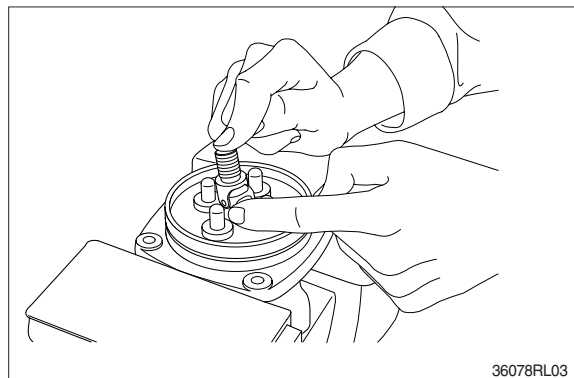


- (6) Loosen adjusting nut (20) and swash plate (19) with spanners on them respectively, and remove them.



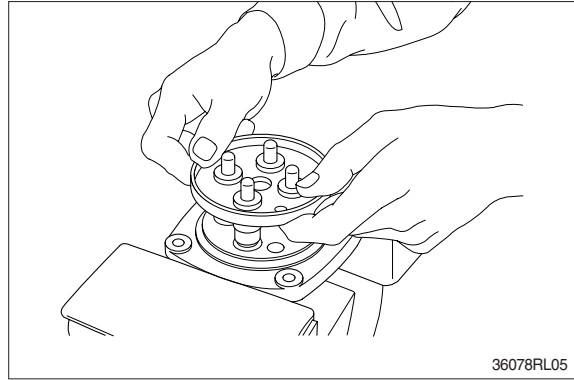
- (7) Turn joint anticlockwise to loosen it, utilizing jig (Special tool).

※ When return spring (9) is strong in force, plate (16), plug (13) and push rod (10) will come up on loosening joint. Pay attention to this.



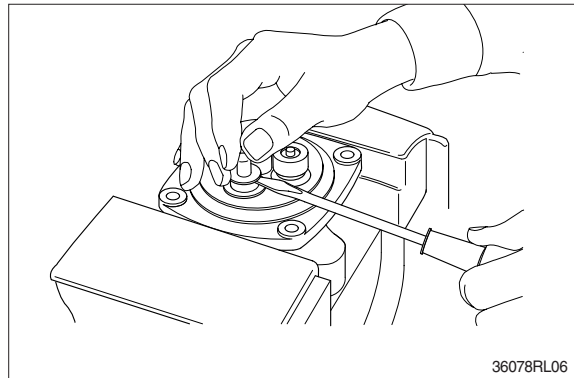


(8) Remove plate (16).



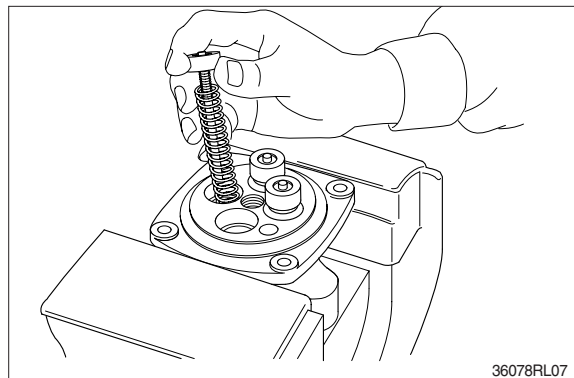
(9) When return spring (9) is weak in force, plug (13) stays in casing because of sliding resistance of O-ring.

- ※ Take it out with minus screwdriver.  
Take it out, utilizing external periphery groove of plug and paying attention not to damage it by partial loading.
- ※ During taking out, plug may jump up due to return spring (9) force.  
Pay attention to this.



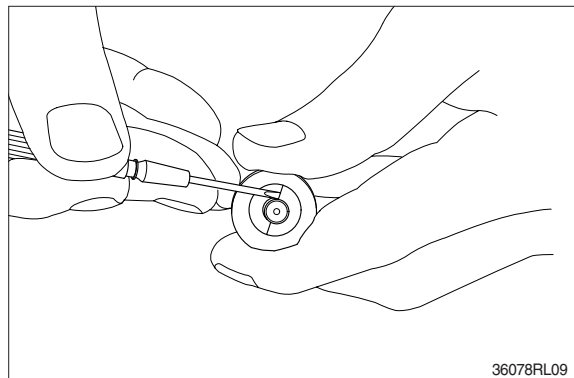
(10) Remove reducing valve subassembly and return spring (9) out of casing.

- ※ Record relative position of reducing valve subassembly and return springs.

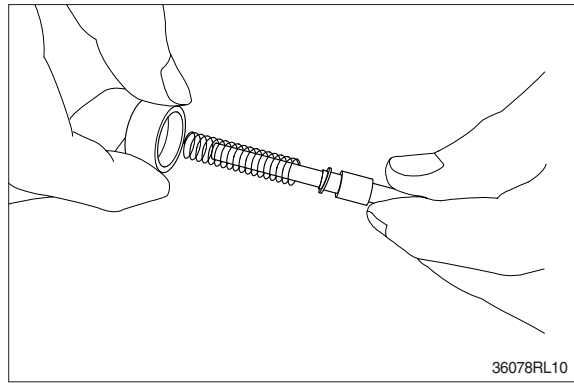


(11) For disassembling reducing valve section, stand it vertically with spool (3) bottom placed on flat workbench. Push down spring seat (6) and remove two pieces of semicircular stopper (7) with tip of small minus screwdriver.

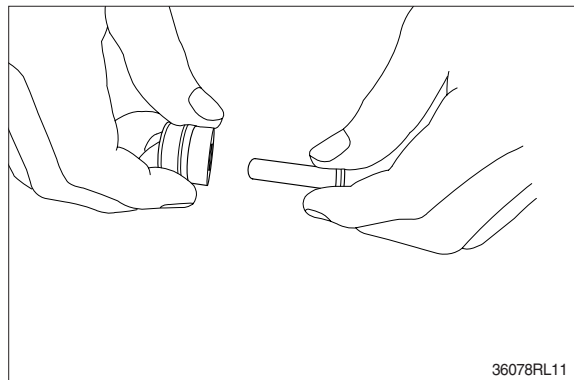
- ※ Pay attention not to damage spool surface.
- ※ Record original position of spring seat (6).
- ※ Do not push down spring seat more than 6 mm.



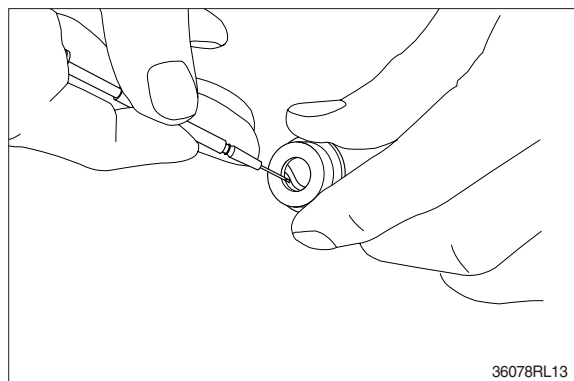
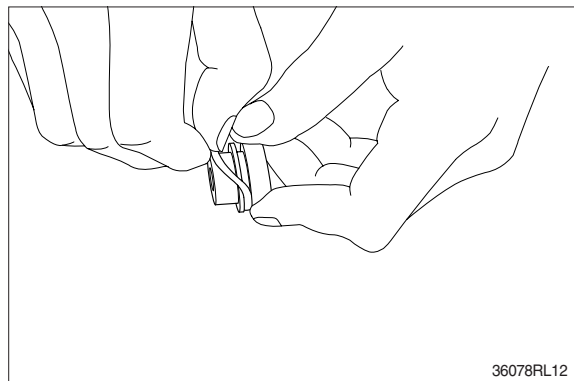
- (12) Separate spool (3), spring seat (6), spring (5) and shim (4) individually.  
※ Until being assembled, they should be handled as one subassembly group.



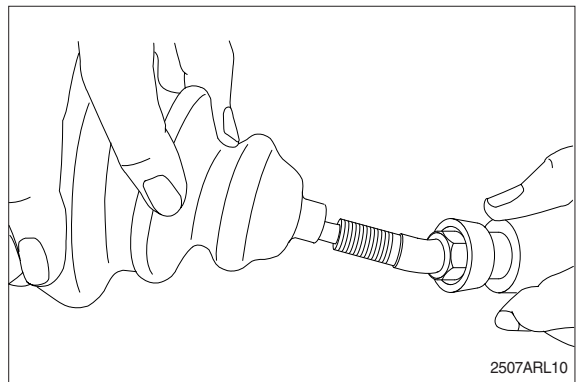
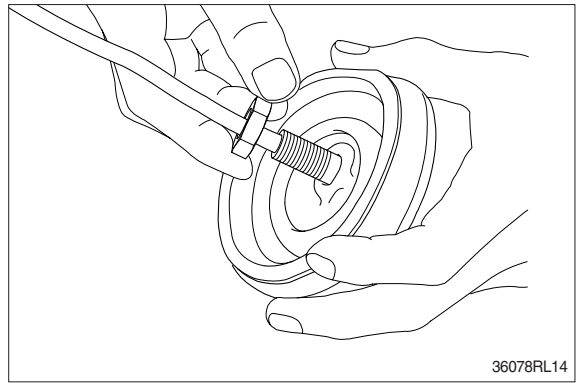
- (13) Take push rod (10) out of plug (13).



- (14) Remove O-ring (14) and seal (15) from plug (13).  
Use small minus screwdriver or so on to remove this seal.



(15) Remove lock nut (21) and then boot (25).



### **(17) Cleaning of parts**

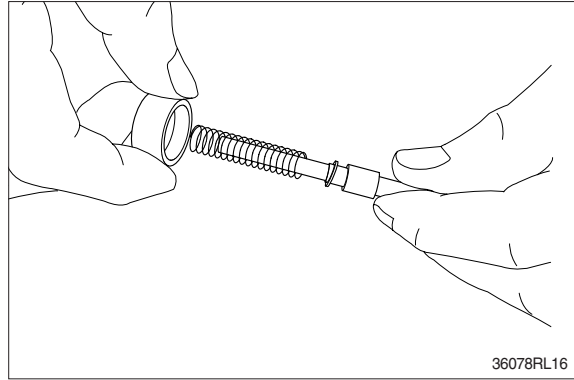
- ① Put all parts in rough cleaning vessel filled with kerosene and clean them (rough cleaning).
  - ※ If dirty part is cleaned with kerosene just after putting it in vessel, it may be damaged. Leave it in kerosene for a while to loosen dust and dirty oil.
  - ※ If this kerosene is polluted, parts will be damaged and functions of reassembled valve will be degraded.  
Therefore, control cleanliness of kerosene fully.
- ② Put parts in final cleaning vessel filled with kerosene, turning it slowly to clean them even to their insides (finish cleaning).
  - ※ Do not dry parts with compressed air, since they will be damaged and/or rusted by dust and moisture in air.

### **(18) Rust prevention of parts.**

- Apply rust-preventives to all parts.
- ※ If left as they are after being cleaned, they will be rusted and will not display their functions fully after being reassembled.

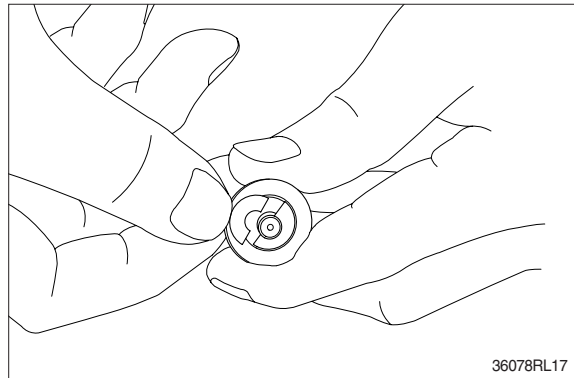
#### 4) ASSEMBLY

- (1) Put shim (4), springs (5) and spring seat (6) onto spool (4) in this order.



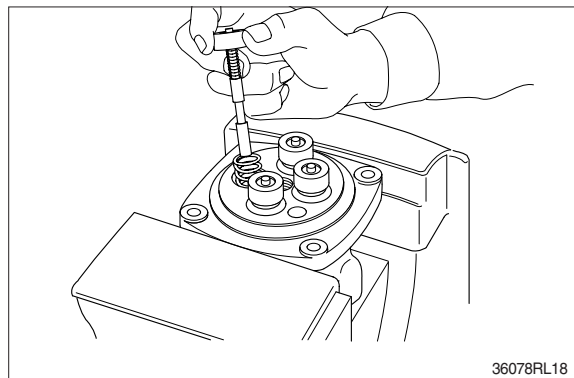
- (2) Stand spool vertically with its bottom placed on flat workbench, and with spring seat pushed down, put two pieces of semicircular stopper (7) on spring seat without piling them on.

- ※ Assemble stopper (7) so that its sharp edge side will be caught by head of spool. Do not push down spring seat more than 6 mm.

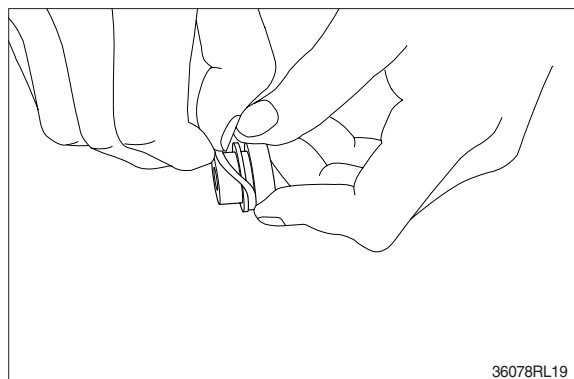


- (3) Assemble spring (9) into casing (1). Assemble reducing valve subassembly into casing.

- ※ Assemble them to their original positions.



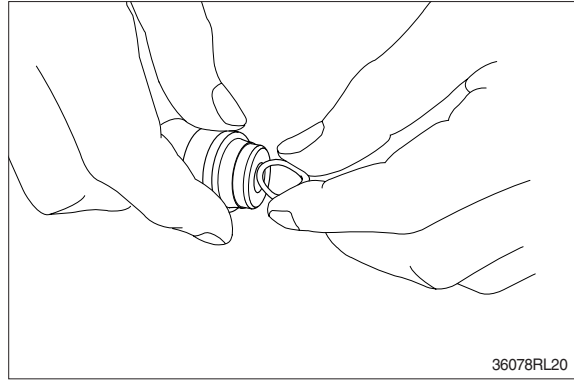
- (4) Assemble O-ring (14) onto plug (13).





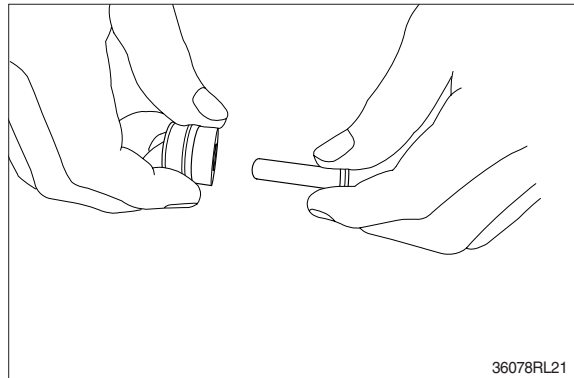
(5) Assemble seal (15) to plug (13).

- ※ Assemble seal in such lip direction as shown below.



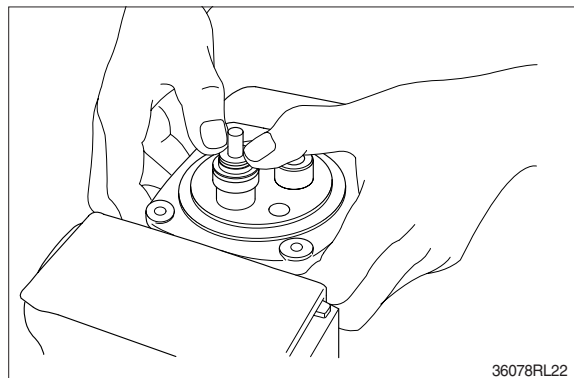
(6) Assemble push rod (10) to plug (13).

- ※ Apply working oil on push-rod surface.

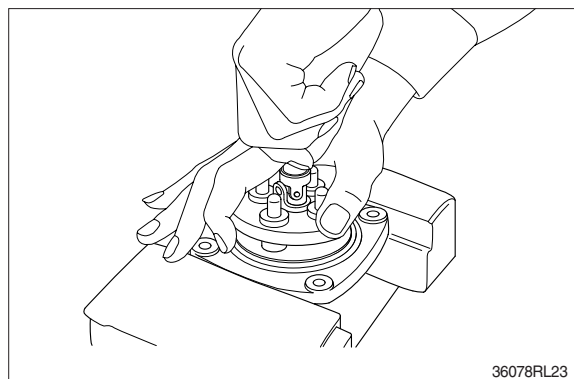


(7) Assemble plug subassembly to casing.

- ※ When return spring is weak in force, subassembly stops due to resistance of O-ring.

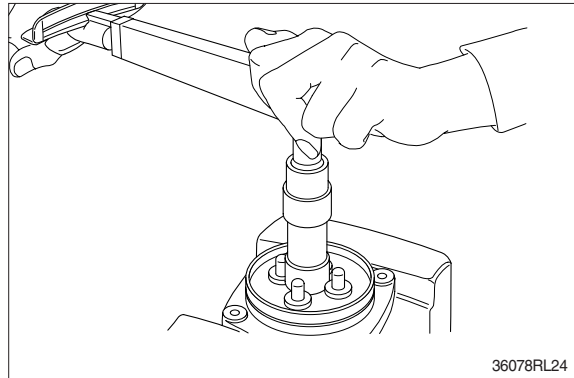


(8) When return spring is strong in force, assemble 4 sets at the same time, utilizing plate (16), and tighten joint (18) temporarily.



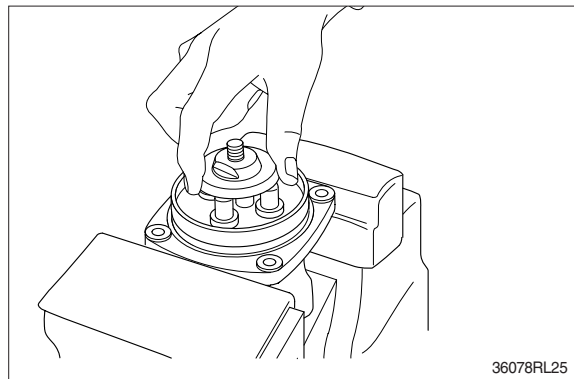
(9) Fit plate (16).

(10) Tighten joint (18) with the specified torque to casing, utilizing jig.



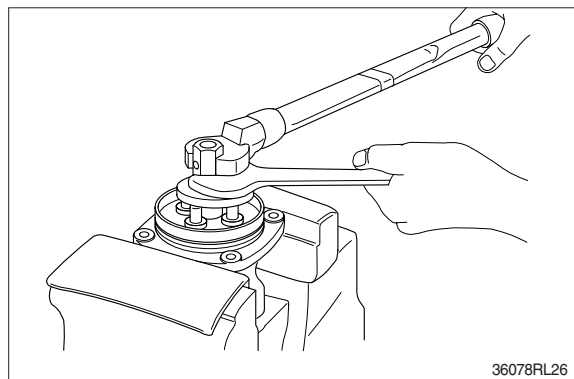
(11) Assemble swash plate (19) to joint (18).

- ※ Screw it to position that it contacts with 4 push rods evenly.
- ※ Do not screw it over.

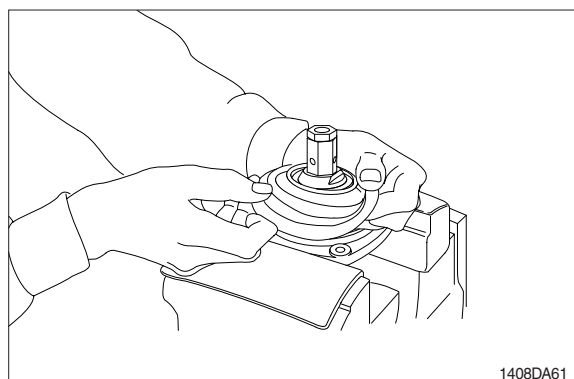


(12) Assemble adjusting nut (20), apply spanner to width across flat of plate (19) to fix it, and tighten adjusting nut to the specified torque.

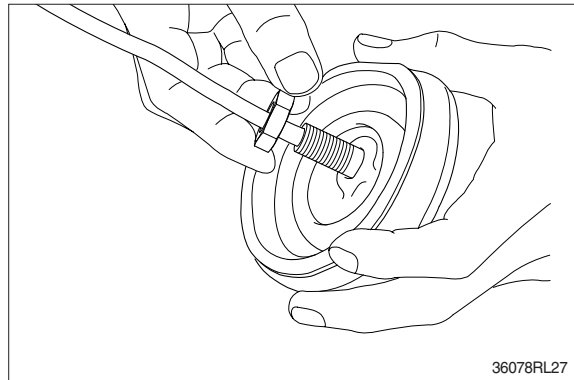
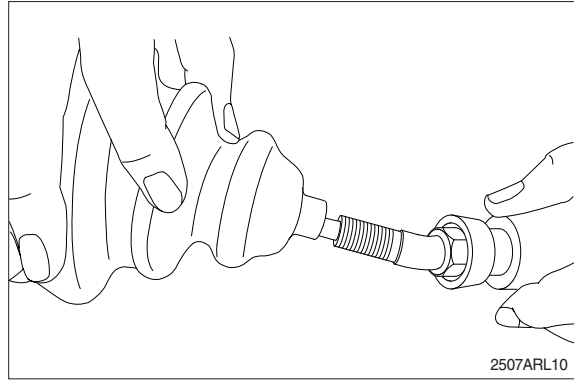
- ※ During tightening, do not change position of disk.



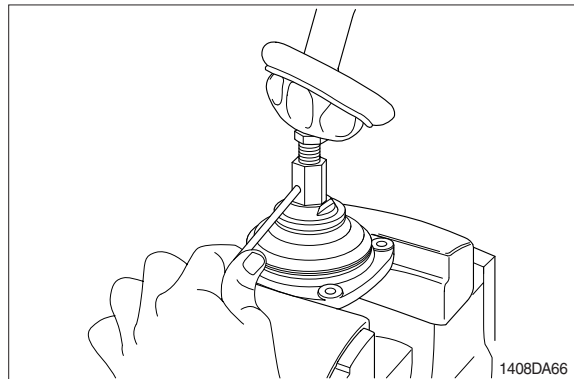
(13) Fit boot (17) to plate.



(14) Fit boot (25) and lock nut (21), and handle subassembly is assembled completely.

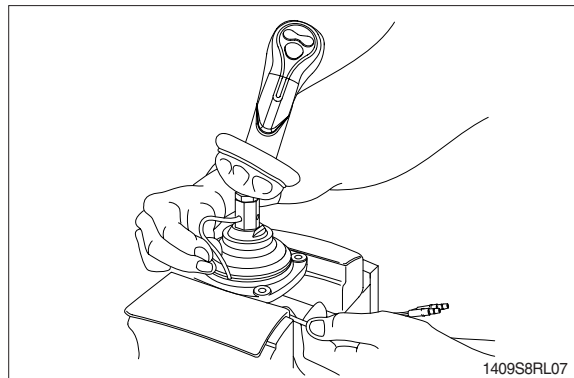


(15) Pull out cord and tube through adjusting nut hole provided in direction 60° to 120° from casing hole.

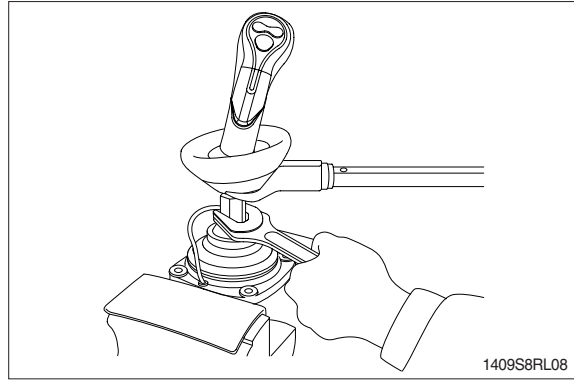


(16) Assemble bushing (27) to plate and pass cord and tube through it.

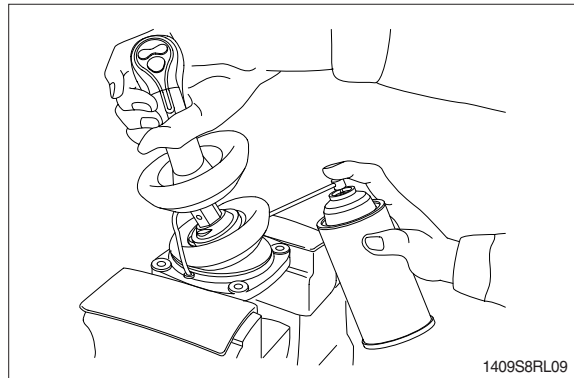
※ Provide margin necessary to operation.



(17) Determine handle direction, tighten lock nut (21) to specified torque to fix handle.

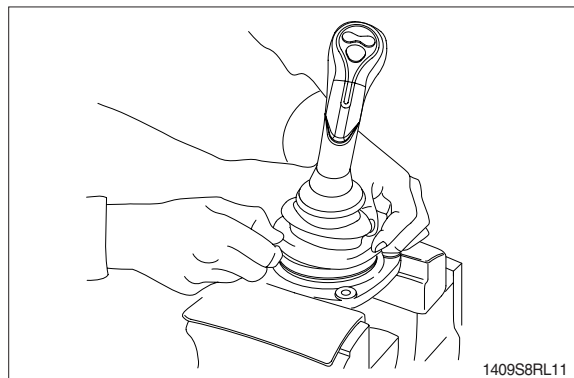


(18) Apply grease to rotating section of joint and contacting faces of disk and push rod.



(19) Assemble lower end of bellows to casing.

(20) Inject volatile rust-preventives through all ports and then put blind plugs in ports.



## GROUP 8 TURNING JOINT

### 1. REMOVAL AND INSTALL

#### 1) REMOVAL

- (1) Lower the work equipment to the ground and stop the engine.
- (2) Operate the control levers and pedals several times to release the remaining pressure in the hydraulic piping.
- (3) Loosen the breather slowly to release the pressure inside the hydraulic tank.

**▲ Escaping fluid under pressure can penetrate the skin causing serious injury.**

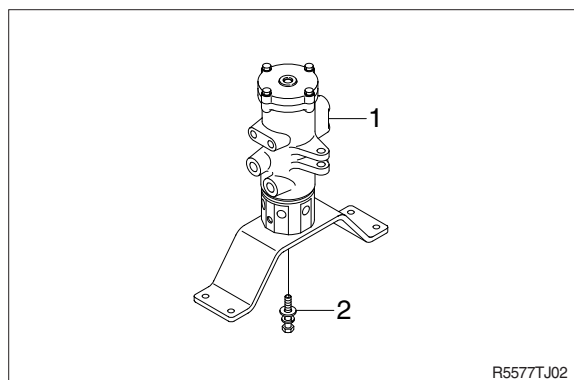
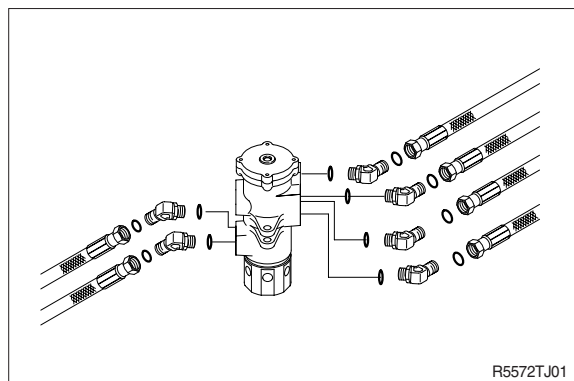
※ When pipes and hoses are disconnected, the oil inside the piping will flow out, so catch it in oil pan.

- (4) Disconnect all hoses.
- (5) Sling the turning joint assembly (1) and remove the mounting bolt (2).
  - Weight : 30 kg (70 lb)
  - Tightening torque :  $12.3 \pm 1.3 \text{ kgf} \cdot \text{m}$   
( $88.9 \pm 9.4 \text{ lbf} \cdot \text{ft}$ )
- (6) Remove the turning joint assembly.

※ When removing the turning joint, check that all the hoses have been disconnected.

#### 2) INSTALL

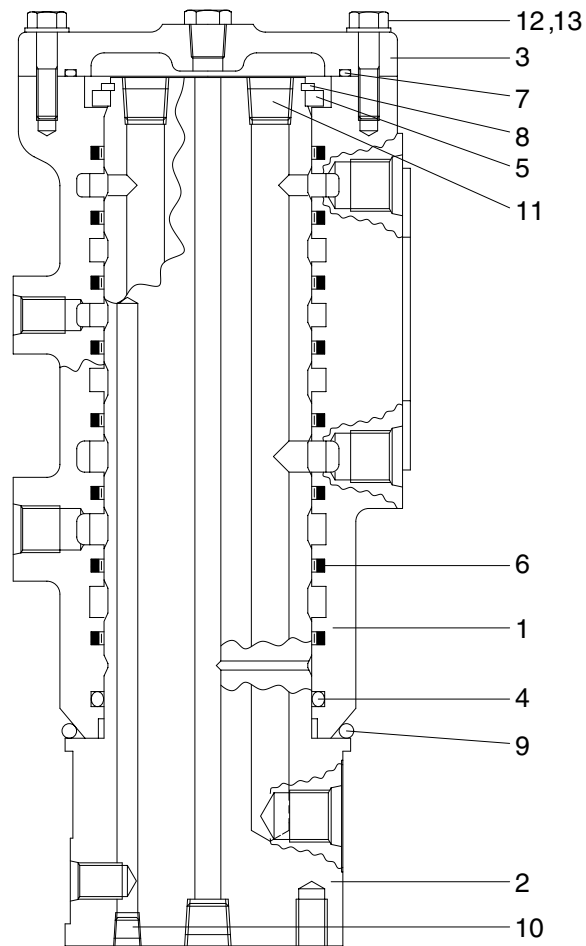
- (1) Carry out installation in the reverse order to removal.
  - ※ Take care of turning joint direction.
  - ※ Assemble hoses to their original positions.
  - ※ Confirm the hydraulic oil level and check the hydraulic oil leak or not.





## 2. DISASSEMBLY AND ASSEMBLY

### 1) STRUCTURE



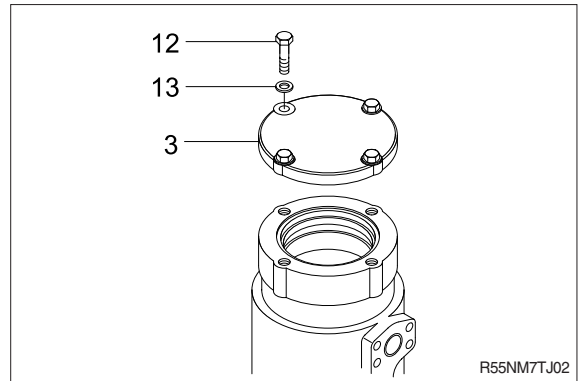
555K7TJ03

- |   |        |   |               |    |               |
|---|--------|---|---------------|----|---------------|
| 1 | Hub    | 6 | Slipper seal  | 10 | Plug          |
| 2 | Shaft  | 7 | O-ring        | 11 | Plug          |
| 3 | Cover  | 8 | Retainer ring | 12 | Hexagon bolt  |
| 4 | O-ring | 9 | O-ring        | 13 | Spring washer |
| 5 | Ring   |   |               |    |               |

## 2) DISASSEMBLY

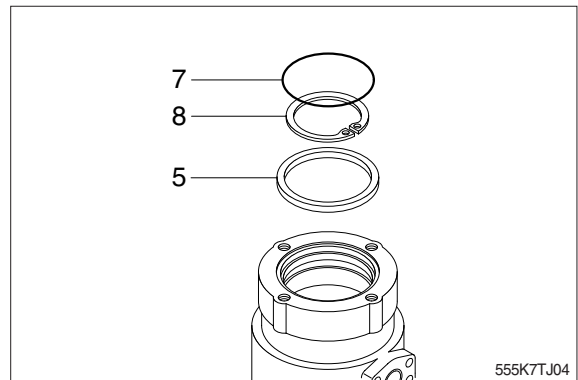
※ Before the disassembly, clean the turning joint.

- (1) Remove bolts (12), washer (13) and cover (3).



- (2) Remove O-ring (7).

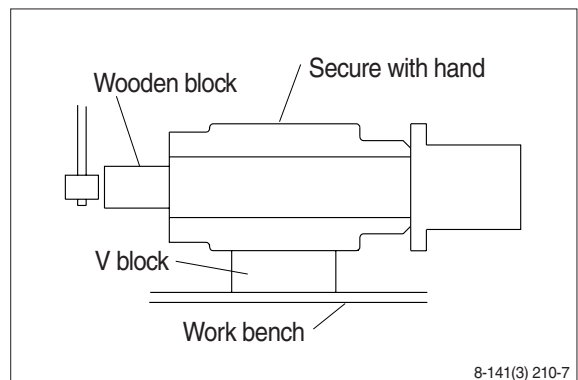
- (3) Remove retainer ring (8) and ring (5).



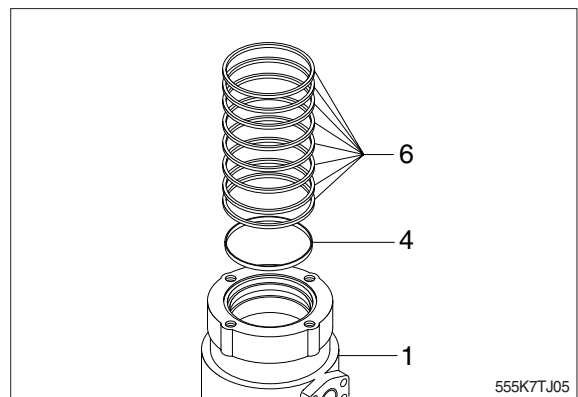
- (4) Place hub (1) on a V-block and by using a wood buffer at the shaft end, hit out shaft (2) to about 1/2 from the body with a hammer.

※ Take care not to damage the shaft (2) when remove hub (1) or rest it sideways.

※ Put a fitting mark on hub (1) and shaft (2).



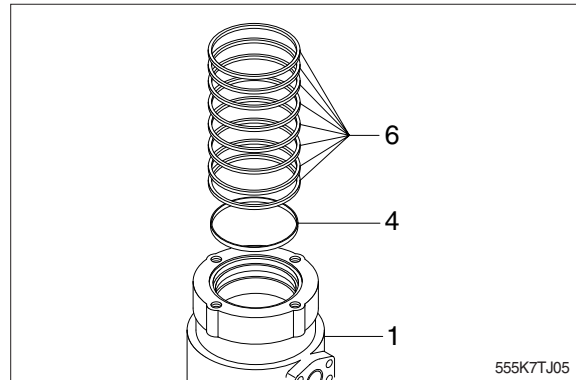
- (5) Remove eight slipper seals (6) and O-ring (4) from hub (1).



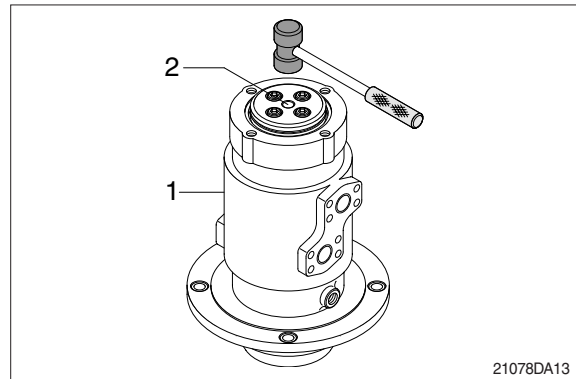
### 3) ASSEMBLY

- ※ Clean all parts.
- ※ As a general rule, replace oil seals and O-ring.
- ※ Coat the sliding surfaces of all parts with engine oil or grease before installing.

(1) Fix eight slipper seal (6) and O-ring (4) to hub (1).

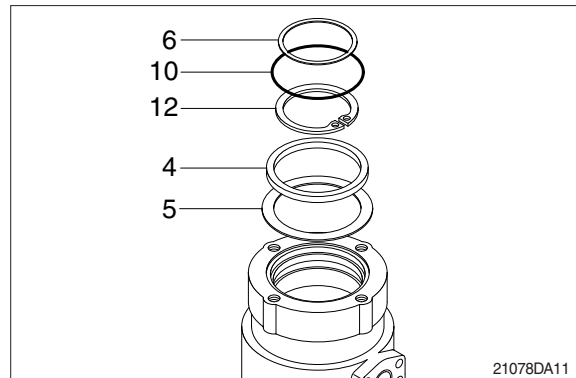


(2) Set shaft (2) on block, tap hub (1) with a plastic hammer to install.

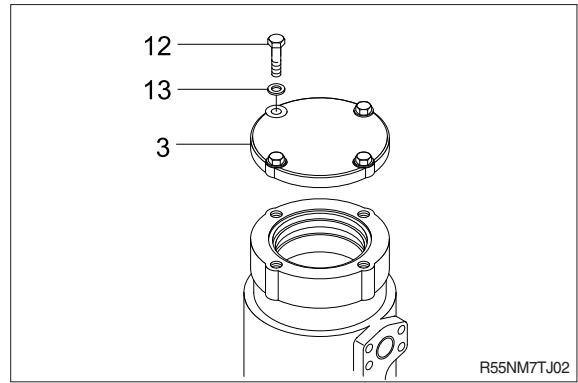


(3) Ring (5) and retainer ring (8) to shaft (2).

(4) Fit O-ring (7) to hub (1).



(5) Install cover (3) to body (1) and tighten bolts (12) with washer (13).



## GROUP 9 BOOM, ARM AND BUCKET CYLINDERS

### 1. REMOVAL AND INSTALL

#### 1) BUCKET CYLINDER

##### (1) Removal

- ※ Expand the arm and bucket fully, lower the work equipment to the ground and stop the engine.
- ※ Operate the control levers and pedals several times to release the remaining pressure in the hydraulic piping.

**▲ Loosen the breather slowly to release the pressure inside the hydraulic tank. Escaping fluid under pressure can penetrate the skin causing serious injury.**

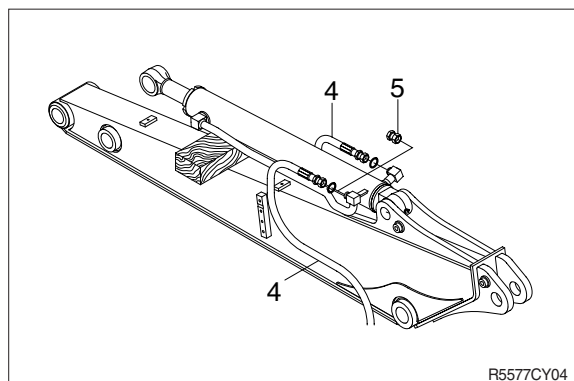
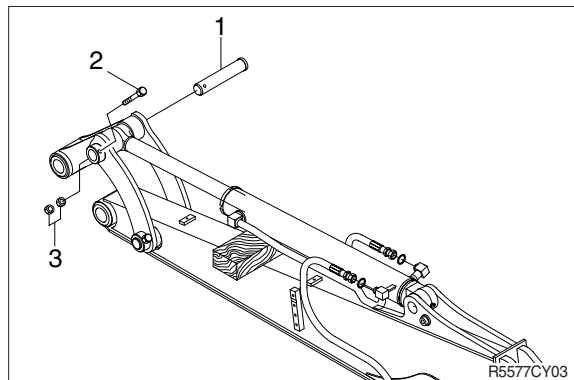
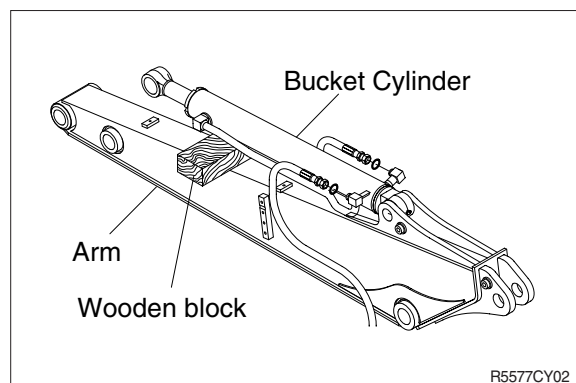
- ※ Fit blind plugs in the hoses after disconnecting them, to prevent dirt or dust from entering.

① Set block between bucket cylinder and arm.

② Remove bolt (2), nut (3) and pull out pin (1).

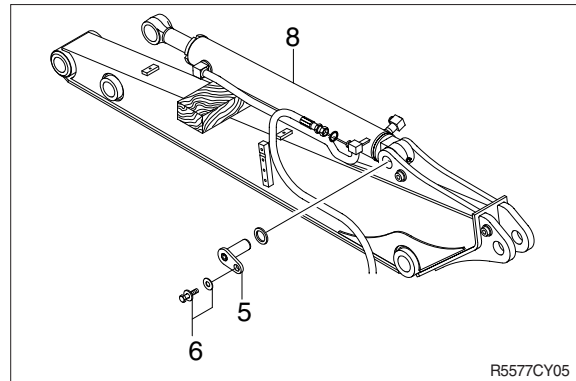
- ※ Tie the rod with wire to prevent it from coming out.

③ Disconnect bucket cylinder hoses (4) and put plugs (5) on cylinder pipe.





- ④ Sling bucket cylinder assembly (8) and remove bolt (6) then pull out pin (5).
- ⑤ Remove bucket cylinder assembly (8).
  - Weight : 35 kg (80 lb)



## (2) Install

- ① Carry out installation in the reverse order to removal.
- ▲ When aligning the mounting position of the pin, do not insert your fingers in the pin hole.**
- ※ Bleed the air from the bucket cylinder.
  - ※ Confirm the hydraulic oil level and check the hydraulic oil leak or not.

## 2) ARM CYLINDER

### (1) Removal

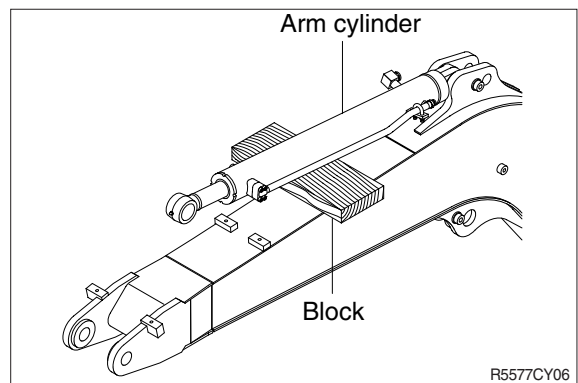
- ※ Expand the arm and bucket fully, lower the work equipment to the ground and stop the engine.
- ※ Operate the control levers and pedals several times to release the remaining pressure in the hydraulic piping.

**▲ Loosen the breather slowly to release the pressure inside the hydraulic tank.**

**▲ Escaping fluid under pressure can penetrate the skin causing serious injury.**

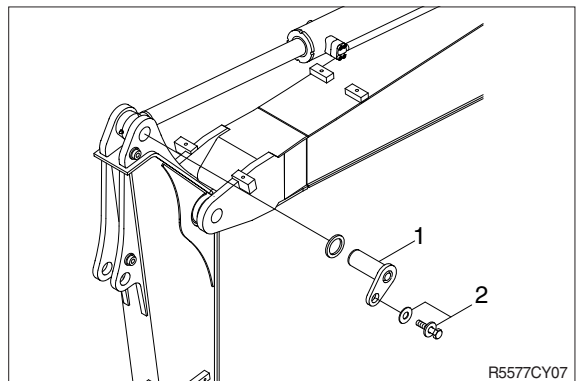
- ※ Fit blind plugs in the hoses after disconnecting them, to prevent dirt or dust from entering.

① Set block between arm cylinder and boom.



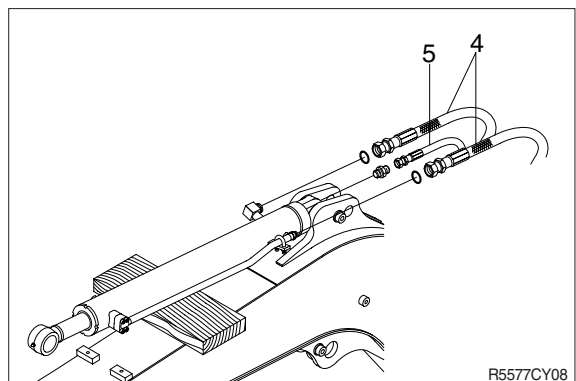
② Remove bolt (2) and pull out pin (1).

- ※ Tie the rod with wire to prevent it from coming out.

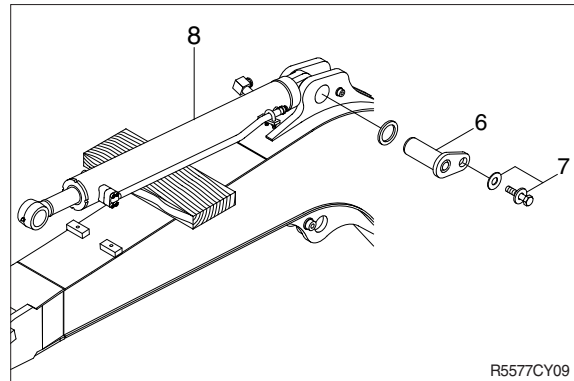


③ Disconnect arm cylinder hoses (4) and put plugs on cylinder pipe.

④ Disconnect greasing pipings (5).



- ⑤ Sling arm assembly (8) and remove bolt (7) then pull out pin (6).
- ⑥ Remove arm cylinder assembly (8).
  - Weight : 60 kg (130 lb)



## (2) Install

- ① Carry out installation in the reverse order to removal.
- ▲ When aligning the mounting position of the pin, do not insert your fingers in the pin hole.**
- ※ Bleed the air from the arm cylinder.
  - ※ Confirm the hydraulic oil level and check the hydraulic oil leak or not.

### 3) BOOM CYLINDER

#### (1) Removal

- ※ Expand the arm and bucket fully, lower the work equipment to the ground and stop the engine.
- ※ Operate the control levers and pedals several times to release the remaining pressure in the hydraulic piping.

**▲ Loosen the breather slowly to release the pressure inside the hydraulic tank.**

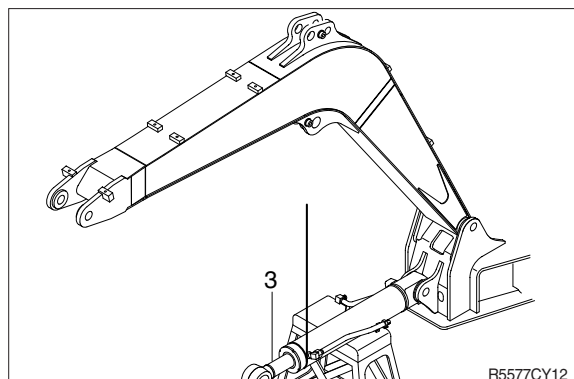
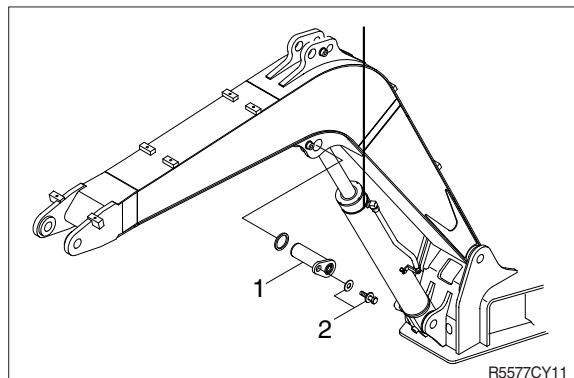
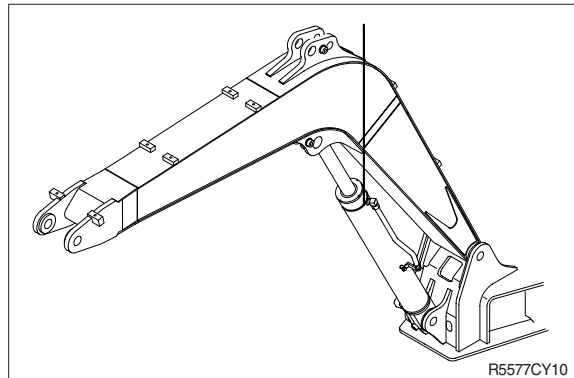
**▲ Escaping fluid under pressure can penetrate the skin causing serious injury.**

- ※ Fit blind plugs in the hoses after disconnecting them, to prevent dirt or dust from entering.

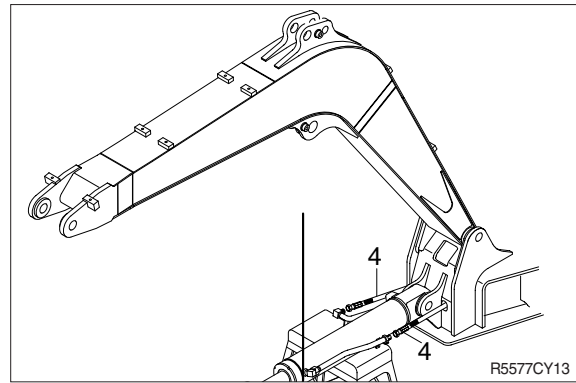
- ① Disconnect greasing hoses (1).
- ② Sling boom cylinder assembly.

- ③ Remove bolt (2) and pull out pin (1).
- ※ Tie the rod with wire to prevent it from coming out.

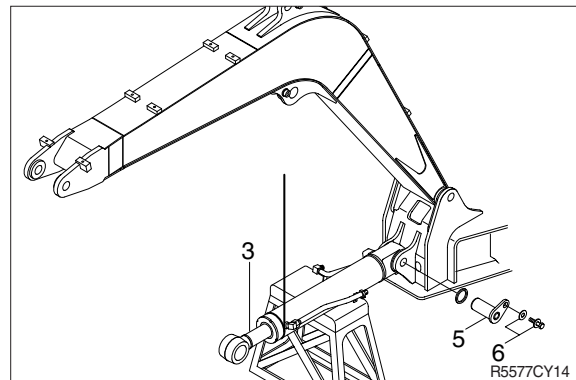
- ④ Lower the boom cylinder assembly (3) on a stand.



- ⑤ Disconnect boom cylinder hoses (4) and put plugs on cylinder pipe.



- ⑥ Remove bolt (6) and pull out pin (5).  
⑦ Remove boom cylinder assembly (3).  
· Weight : 70 kg (155 lb)



## (2) Install

- ① Carry out installation in the reverse order to removal.

**▲ When aligning the mounting position of the pin, do not insert your fingers in the pin hole.**

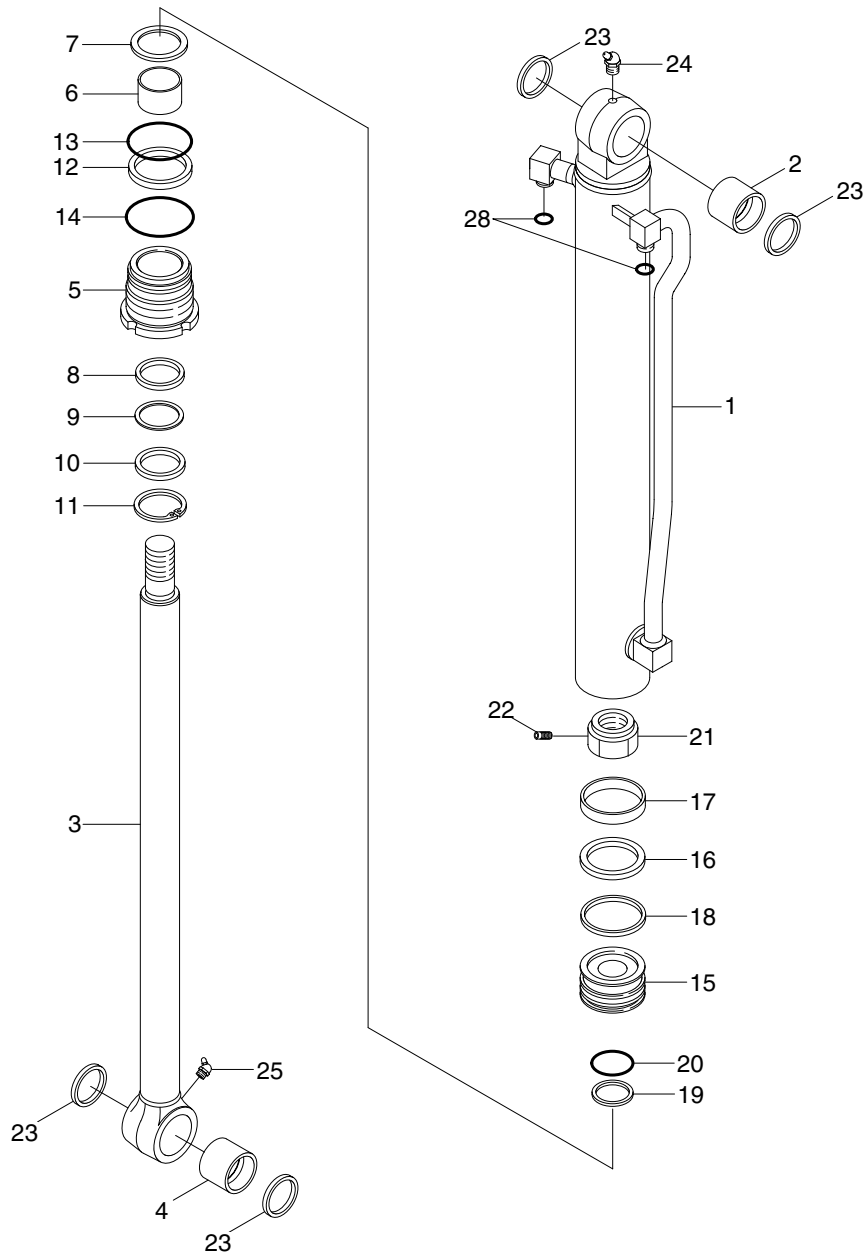
- ※ Bleed the air from the boom cylinder.
- ※ Confirmed the hydraulic oil level and check the hydraulic oil leak or not.



## 2. DISASSEMBLY AND ASSEMBLY

### 1) STRUCTURE

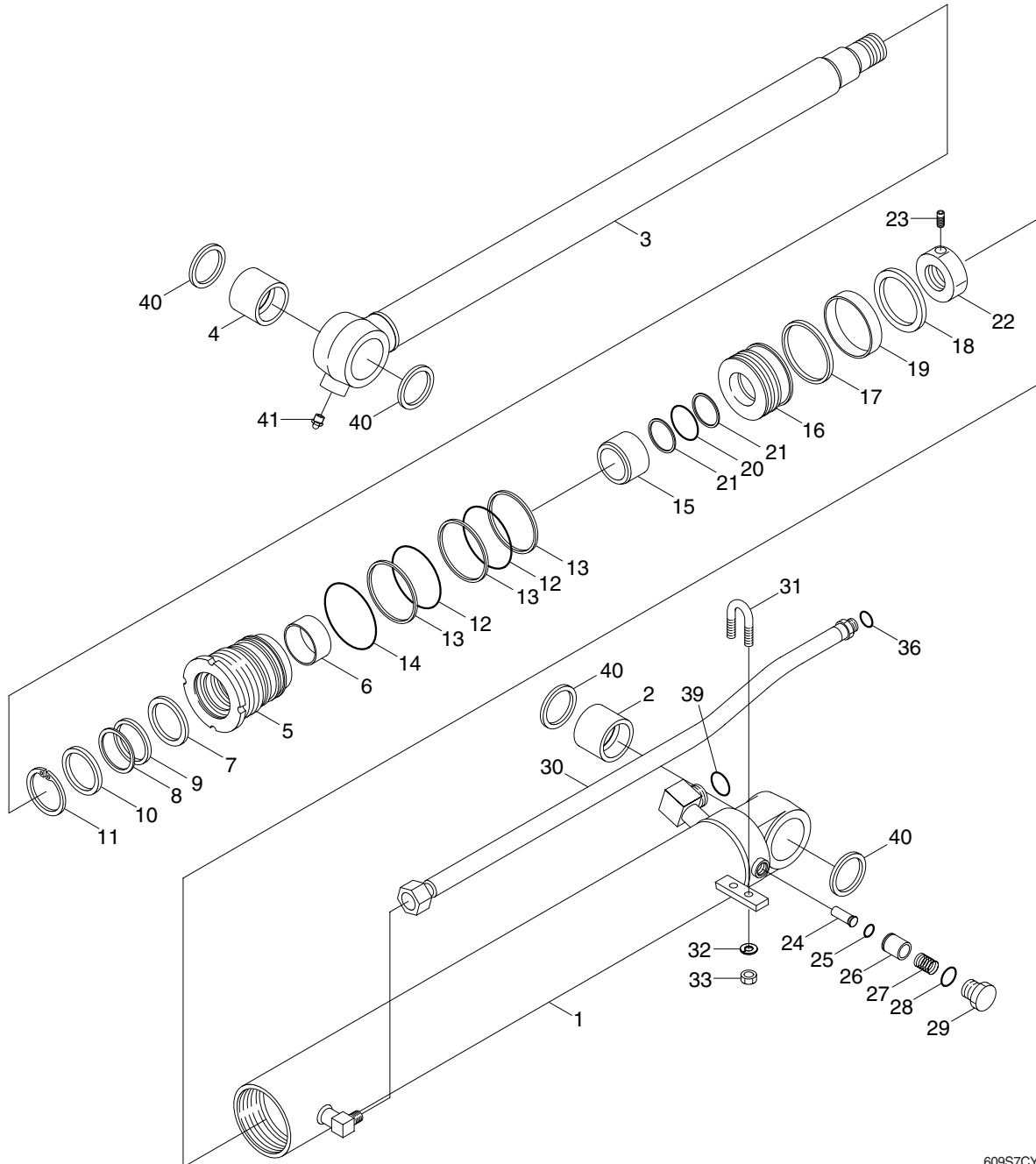
#### (1) Bucket cylinder



555C97CY22

- |   |                |    |                |    |               |
|---|----------------|----|----------------|----|---------------|
| 1 | Tube assembly  | 10 | Dust seal      | 19 | Back-up ring  |
| 2 | Bushing        | 11 | Retaining ring | 20 | O-ring        |
| 3 | Bushing        | 12 | Back-up ring   | 21 | Piston nut    |
| 4 | Du bushing     | 13 | O-ring         | 22 | Set screw     |
| 5 | Rod cover      | 14 | O-ring         | 23 | Dust seal     |
| 6 | Rod bushing    | 15 | Piston         | 24 | Grease nipple |
| 7 | Retaining ring | 16 | Piston seal    | 25 | Grease nipple |
| 8 | Buffer ring    | 17 | Wear ring      | 28 | O-ring        |
| 9 | U-packing      | 18 | Dust ring      |    |               |

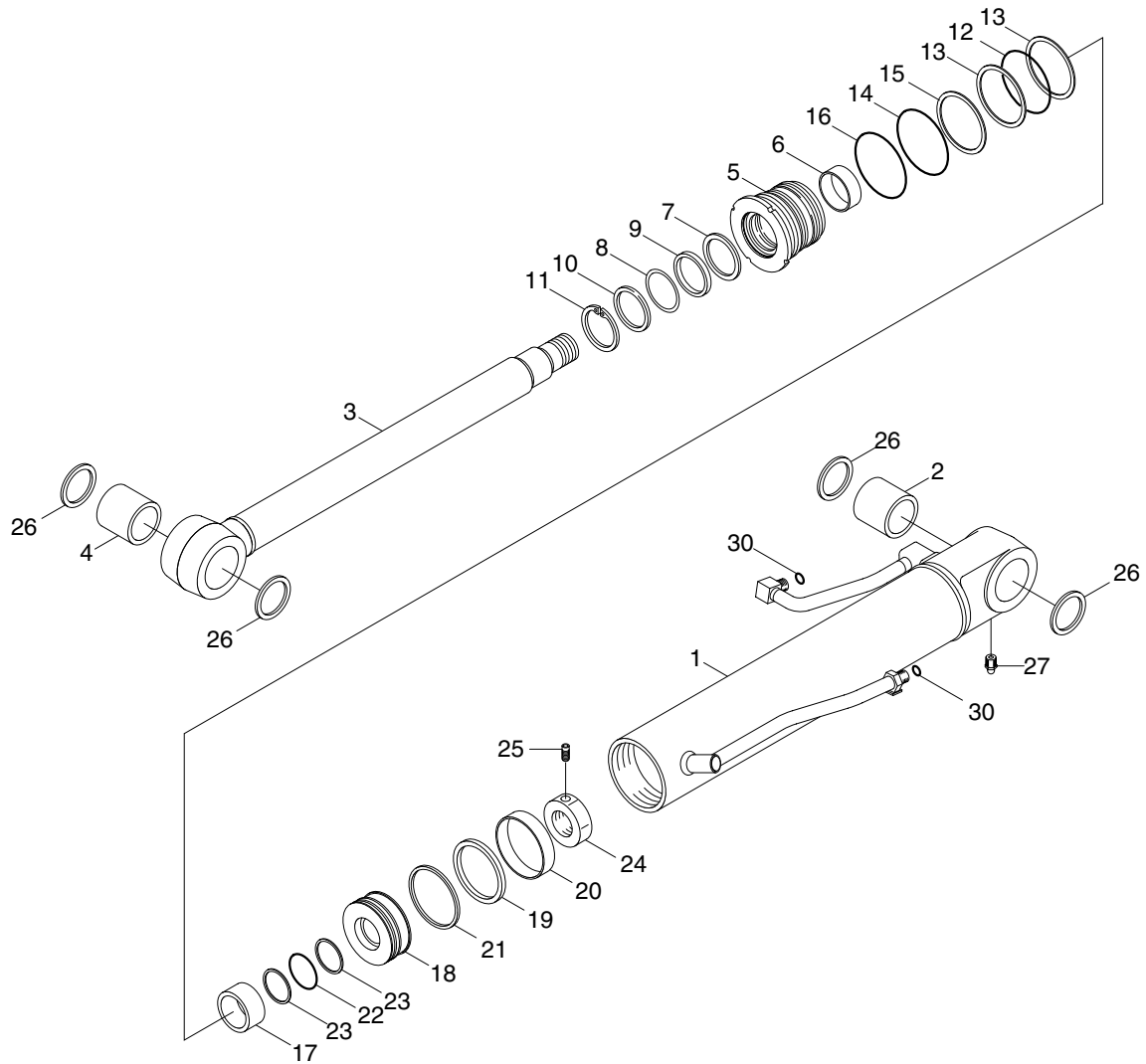
## (2) Arm cylinder



609S7CY24

- |    |                |    |                 |    |                |
|----|----------------|----|-----------------|----|----------------|
| 1  | Tube assembly  | 14 | O-ring          | 26 | Check valve    |
| 2  | Bushing        | 15 | Cushion ring    | 27 | Spring         |
| 3  | Rod            | 16 | Piston          | 28 | Support spring |
| 4  | Pin bushing    | 17 | Piston seal     | 29 | Plug           |
| 5  | Rod cover      | 18 | Wear ring       | 30 | Pipe assy      |
| 6  | Rod bushing    | 19 | Dust ring       | 31 | U-bolt         |
| 7  | Buffer seal    | 20 | O-ring          | 32 | Spring washer  |
| 8  | U-packing      | 21 | Back-up ring    | 33 | Hex nut        |
| 9  | Back-up ring   | 22 | Piston nut      | 36 | O-ring         |
| 10 | Dust wiper     | 23 | Set screw       | 39 | O-ring         |
| 11 | Retaining ring | 24 | Cushion plunger | 40 | Dust seal      |
| 12 | O-ring         | 25 | Stop ring       | 41 | Grease nipple  |
| 13 | Back-up ring   |    |                 |    |                |

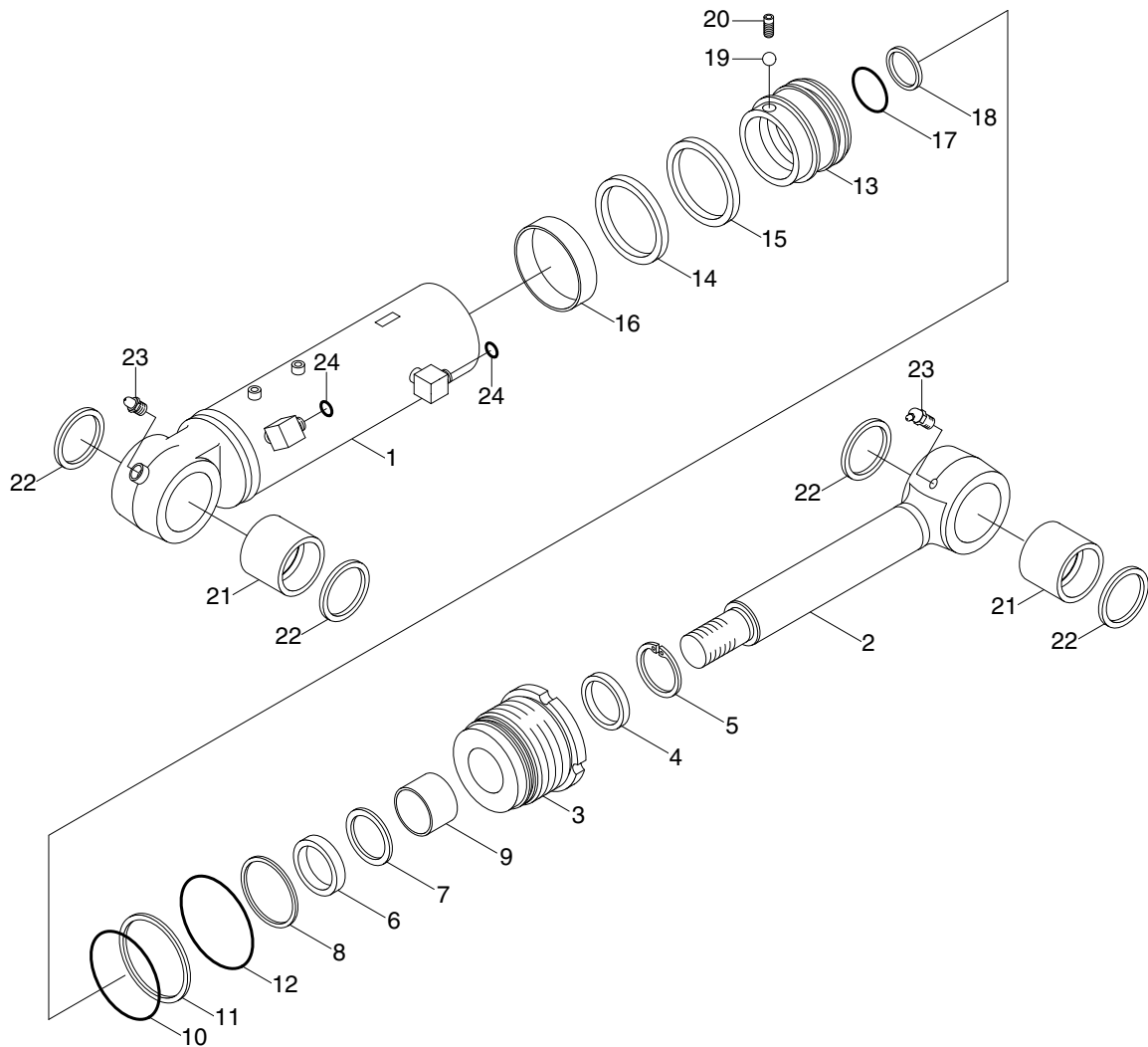
### (3) Boom cylinder



555C97CY21

- |    |               |    |                |    |               |
|----|---------------|----|----------------|----|---------------|
| 1  | Tube assembly | 11 | Retaining ring | 21 | Dust ring     |
| 2  | Bushing       | 12 | O-ring         | 22 | O-ring        |
| 3  | Bushing       | 13 | Back-up ring   | 23 | Back-up ring  |
| 4  | Du bushing    | 14 | O-ring         | 24 | Piston nut    |
| 5  | Rod cover     | 15 | Back-up ring   | 25 | Set screw     |
| 6  | Rod bushing   | 16 | O-ring         | 26 | Dust seal     |
| 7  | Buffer ring   | 17 | Cushion ring   | 27 | Grease nipple |
| 8  | U-packing     | 18 | Piston         | 30 | O-ring        |
| 9  | Back-up ring  | 19 | Piston seal    |    |               |
| 10 | Dust seal     | 20 | Wear ring      |    |               |

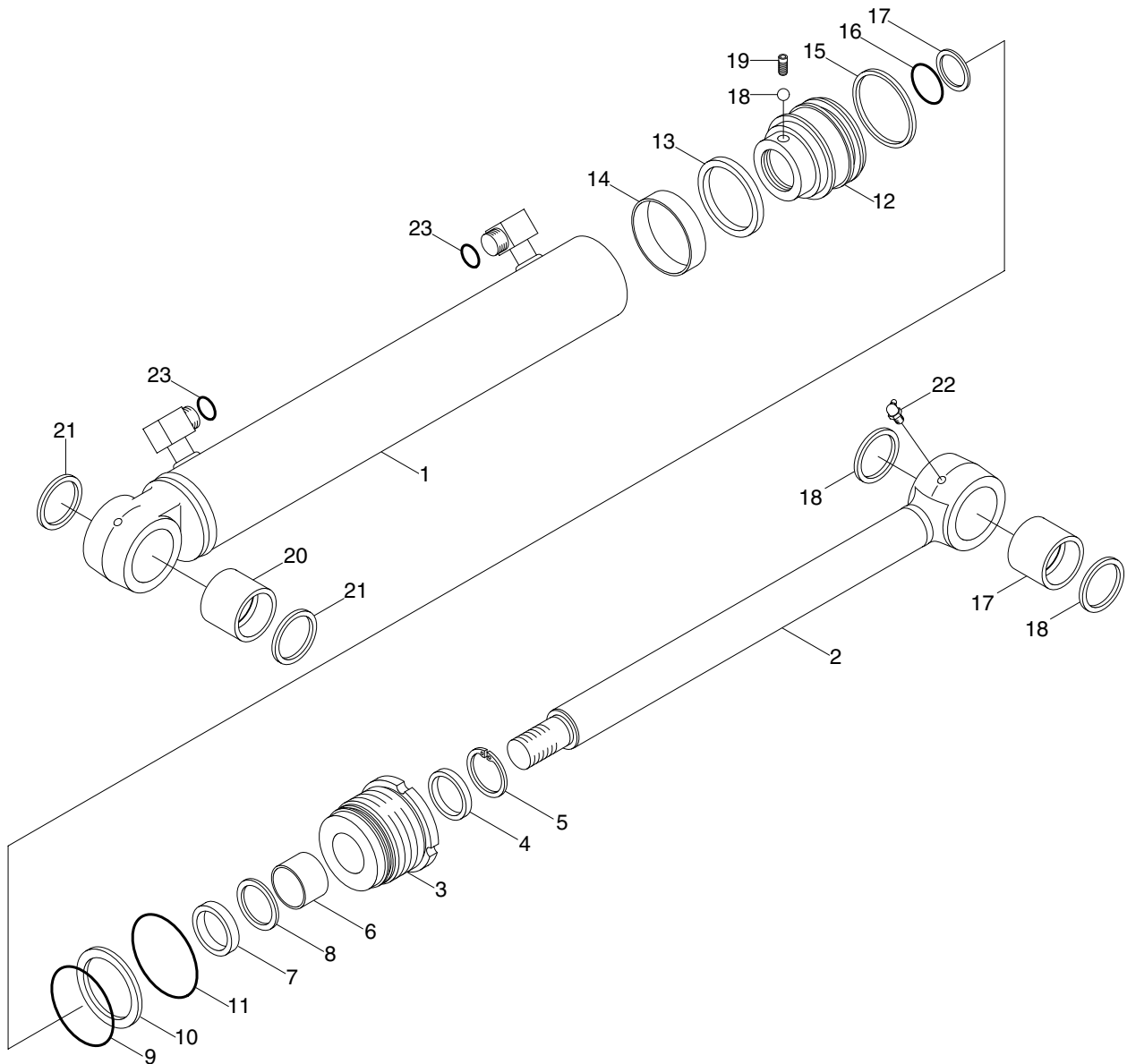
#### (4) Dozer cylinder



5597CY23

- |   |                |    |              |    |               |
|---|----------------|----|--------------|----|---------------|
| 1 | Tube assembly  | 9  | DU bushing   | 17 | O-ring        |
| 2 | Rod assembly   | 10 | O-ring       | 18 | Back-up ring  |
| 3 | Gland          | 11 | Back-up ring | 19 | Steel ball    |
| 4 | Dust wiper     | 12 | O-ring       | 20 | Set screw     |
| 5 | Retaining ring | 13 | Piston       | 21 | Bushing       |
| 6 | Rod seal       | 14 | Piston seal  | 22 | Dust seal     |
| 7 | Back-up ring   | 15 | Dust ring    | 23 | Grease nipple |
| 8 | Buffer ring    | 16 | Wear ring    | 24 | O-ring        |

(5) Boom swing cylinder

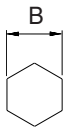


5596MC02

- |   |                |    |              |    |               |
|---|----------------|----|--------------|----|---------------|
| 1 | Tube assembly  | 9  | O-ring       | 17 | Back-up ring  |
| 2 | Rod assembly   | 10 | Buck-up ring | 18 | Steel ball    |
| 3 | Gland          | 11 | O-ring       | 19 | Set screw     |
| 4 | Dust wiper     | 12 | Piston       | 20 | Pin bushing   |
| 5 | Retaining ring | 13 | Piston seal  | 21 | Dust seal     |
| 6 | DU bushing     | 14 | Wear ring    | 22 | Grease nipple |
| 7 | Rod seal       | 15 | Dust ring    | 23 | O-ring        |
| 8 | Buck-up ring   | 16 | O-ring       |    |               |

## 2) TOOLS AND TIGHTENING TORQUE

### (1) Tools

Name	Specification	
Allen wrench	8	
	10	
Spanner	M22	
Hook spanner	Suitable size	
(-) Driver	Small and large sizes	
Torque wrench	Capable of tightening with the specified torques	

### (2) Tightening torque

Part name		Item	Size	Torque	
				kgf · m	lbf · ft
Rod cover (gland)	Boom cylinder	5	M115	70±7.0	510±51
	Arm cylinder	5	M95	70±7.0	510±51
	Bucket cylinder	5	M85	75±7.5	540±54
	Dozer cylinder	3	M115	95±9.5	690±69
	Boom swing cylinder	3	M100	70±7.0	510±51
Piston nut	Boom cylinder	24	M42	75±7.5	540±54
	Arm cylinder	22	M39	75±7.5	540±54
	Bucket cylinder	21	M36	75±7.5	540±54
Piston	Boom cylinder	18	M52	50±5.0	361±36.2
	Arm cylinder	16	M39	50±5.0	361±36.2
	Bucket cylinder	15	M48	50±5.0	361±36.2
	Dozer cylinder	13	M45	113±11.3	817±81.7
	Boom swing cylinder	12	M39	97.5±9.8	705±71
Set screw	Boom cylinder	25	M8	1.5	10.8
	Arm cylinder	23	M8	1.5	10.8
	Bucket cylinder	22	M8	1.5	10.8
	Dozer cylinder	20	-	2±0.2	14.5±1.4
	Boom swing cylinder	19	M8	2±0.2	14.5±1.4

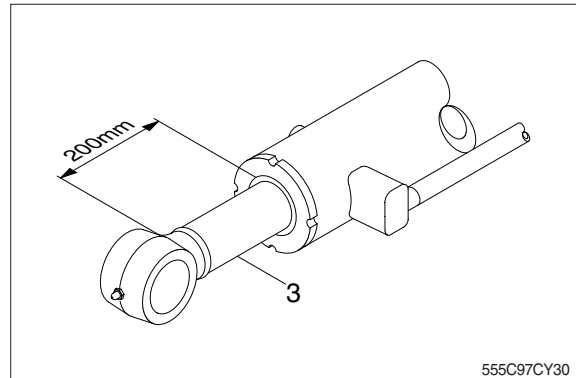


### 3) DISASSEMBLY

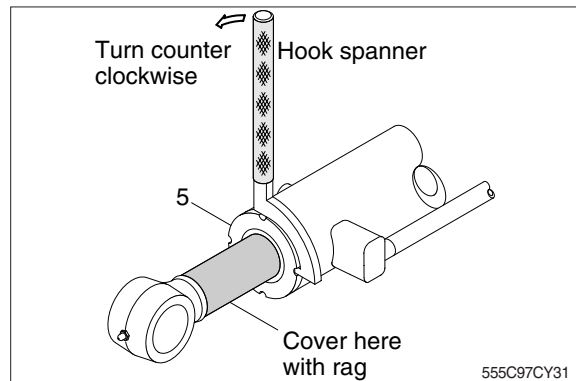
#### (1) Remove cylinder head and piston rod

- ① Hold the clevis section of the tube in a vise.
- ※ Use mouth pieces so as not to damage the machined surface of the cylinder tube. Do not make use of the outside piping as a locking means.

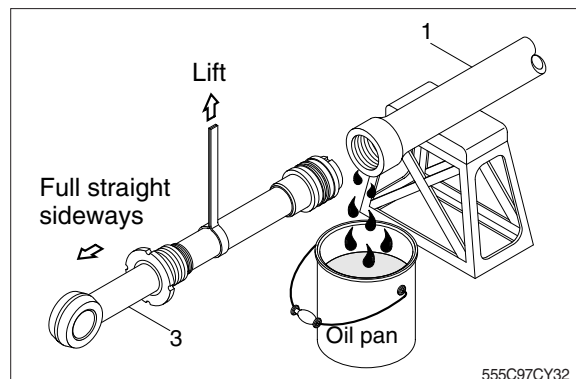
- ② Pull out rod assembly (3) about 200 mm (7.1 in). Because the rod assembly is rather heavy, finish extending it with air pressure after the oil draining operation.



- ③ Remove rod cover (5) by hook spanner.
- ※ Cover the extracted rod assembly (3) with rag to prevent it from being accidentally damaged during operation.

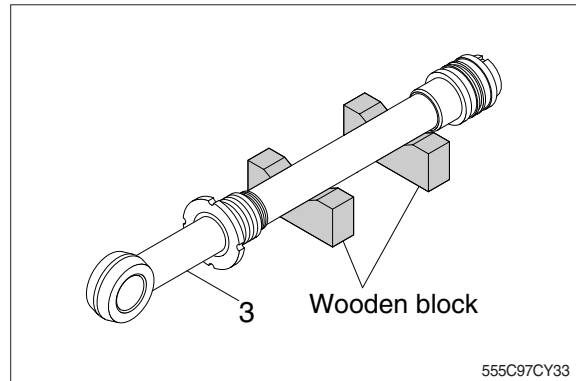


- ④ Draw out cylinder head and rod assembly (3) together from tube assembly (1).
- ※ Since the rod assembly is heavy in this case, lift the tip of the rod assembly (3) with a crane or some means and draw it out. However, when rod assembly (3) has been drawn out to approximately two thirds of its length, lift it in its center to draw it completely.



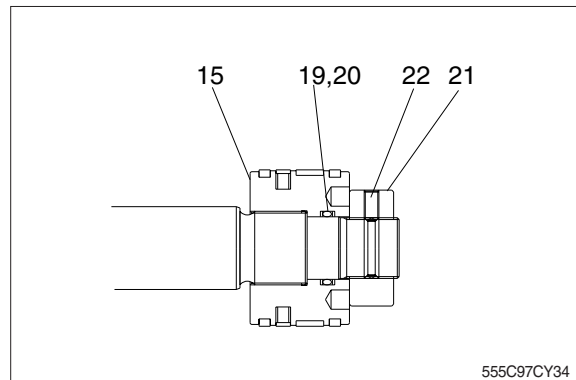
Note that the plated surface of rod assembly (3) is to be lifted. For this reason, do not use a wire sling and others that may damage it, but use a strong cloth belt or a rope.

- ⑤ Place the removed rod assembly on a wooden V-block that is set level.
- ※ Cover a V-block with soft rag.

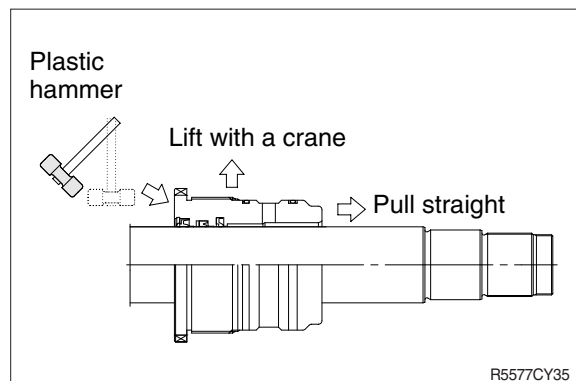


**(2) Remove piston and rod cover**

- ① Loosen set screw (22) and remove piston nut (21).
- ※ Since piston nut (21) is tightened to a high torque, use a hydraulic and power wrench that utilizes a hydraulic cylinder, to remove the piston nut (21).
- ② Remove piston assembly (15), back up ring (19), and O-ring (20).

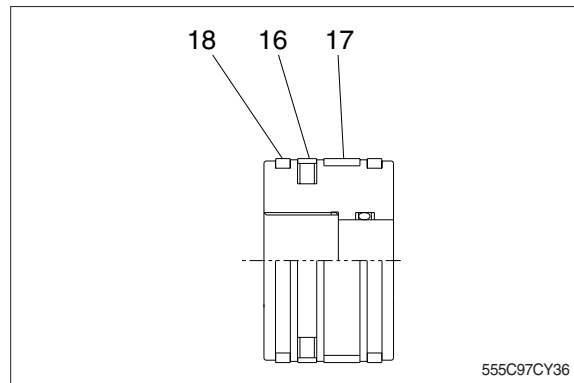


- ③ Remove the rod cover from rod assembly (3).
  - ※ If it is too heavy to move, move it by striking the flanged part of gland with a plastic hammer.
  - ※ Pull it straight with cylinder head assembly lifted with a crane.
- Exercise care so as not to damage the lip of Du bushing (6) and packing (8, 9, 10, 11, 12, 13, 14) by the threads of rod assembly (3).



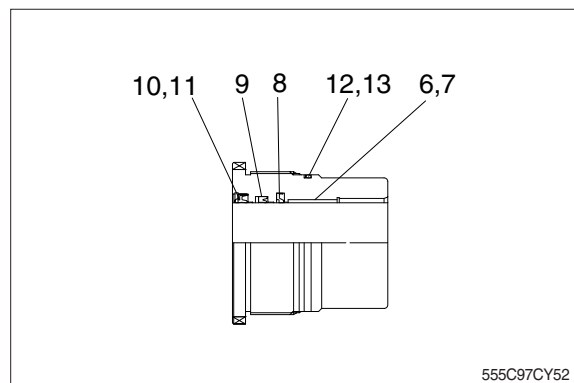
### (3) Disassemble the piston assembly

- ① Remove wear ring (17).
  - ② Remove dust ring (18) and piston seal (16).
- ※ Exercise care in this operation not to damage the grooves.



### (4) Disassemble gland assembly

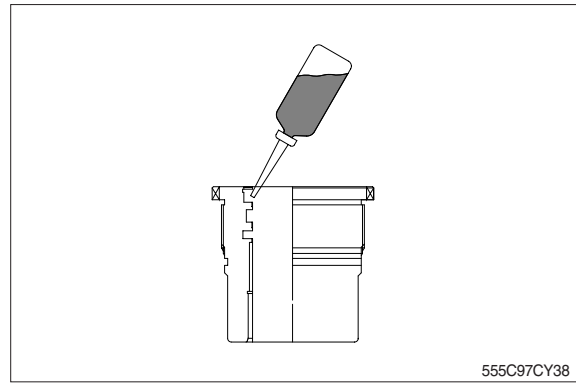
- ① Remove back up ring (12) and O-ring (13).
  - ② Remove snap ring (11), dust wiper (10).
  - ③ Remove U-packing (9) and buffer seal (8).
- ※ Exercise care in this operation not to damage the grooves.
- ※ Do not remove seal and ring, if does not damaged.



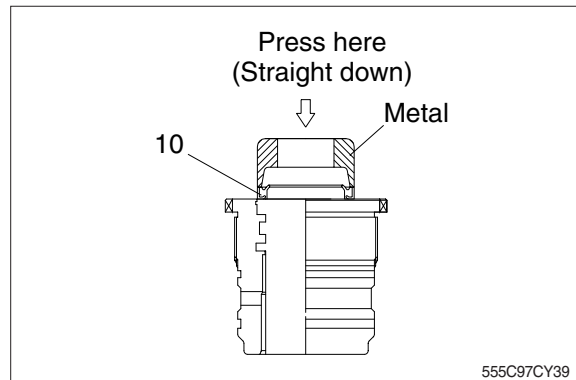
#### 4) ASSEMBLY

##### (1) Assemble cylinder head assembly

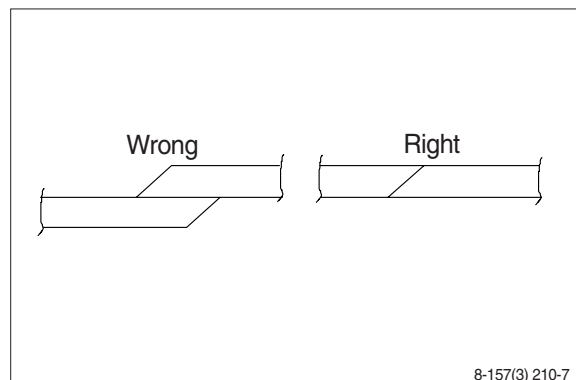
- ※ Check for scratches or rough surfaces if found smooth with an oil stone.
- ① Coat the inner face of rod cover (5) with hydraulic oil.



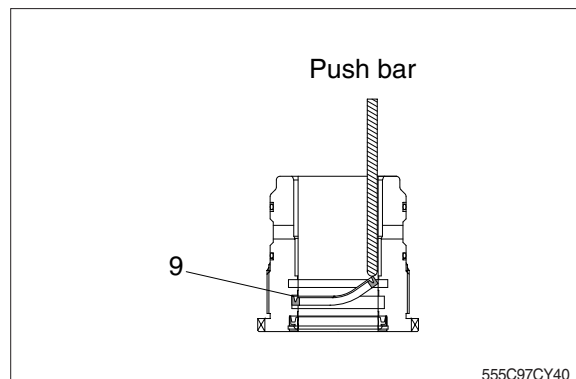
- ② Coat dust wiper (10) with grease and fit dust wiper (10) to the bottom of the hole of dust seal.  
At this time, press a pad metal to the metal ring of dust seal.
- ③ Fit snap ring (11) to the stop face.



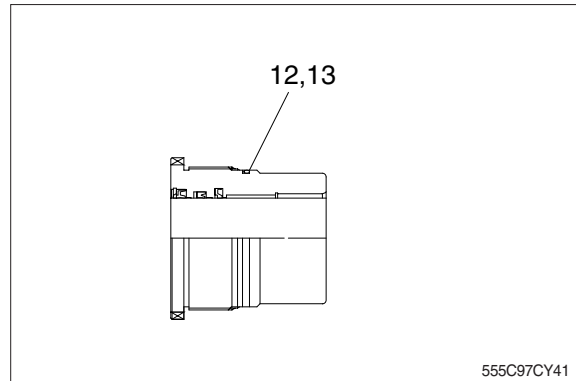
- ④ Fit U-packing (9) and buffer seal (8) to corresponding grooves, in that order.
- ※ Coat each packing with hydraulic oil before fitting it.
- ※ Insert the backup ring until one side of it is inserted into groove.



- ※ U-packing (9) has its own fitting direction. Therefore, confirm it before fitting them.
- ※ Fitting U-packing (9) upside down may damage its lip. Therefore check the correct direction that is shown in fig.

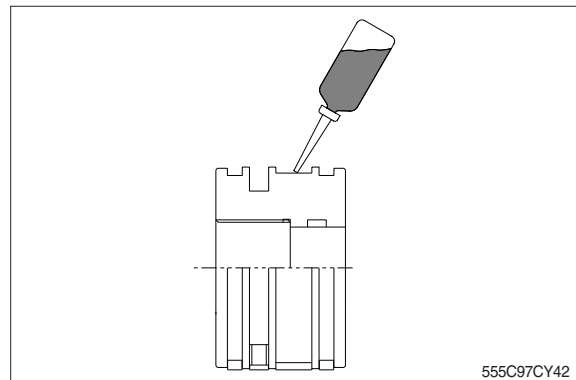


- ⑤ Fit back up ring (12) to rod cover (5).
- ※ Put the backup ring in the warm water of 30~50°C .
- ⑥ Fit O-ring (13) to rod cover (5).

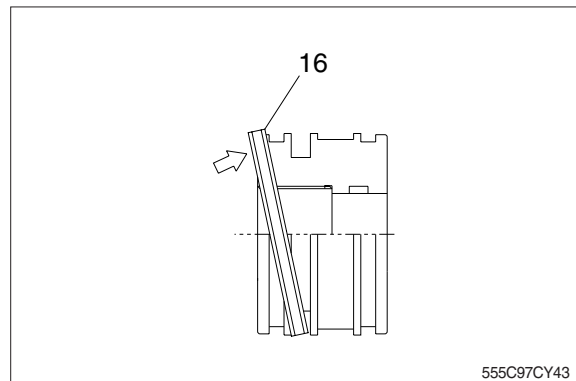


## (2) Assemble piston assembly

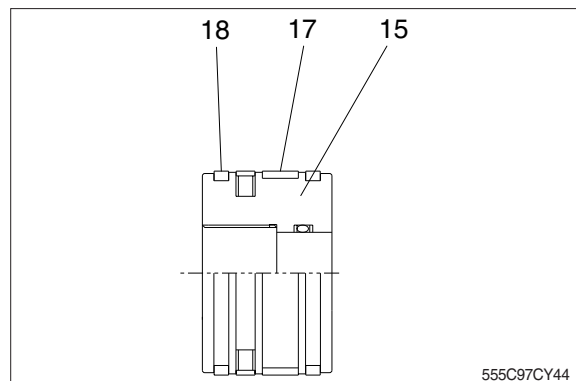
- ※ Check for scratches or rough surfaces.  
If found smooth with an oil stone.
- ① Coat the outer face of piston (15) with hydraulic oil.



- ② Fit piston seal (16) to piston.
- ※ Put the piston seal in the warm water of 60~100°C for more than 5 minutes.
- ※ After assembling the piston seal, press its outer diameter to fit in.

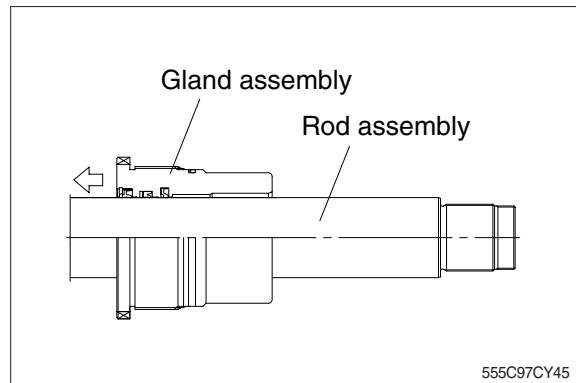


- ③ Fit wear ring (17) and dust ring (18) to piston (15).

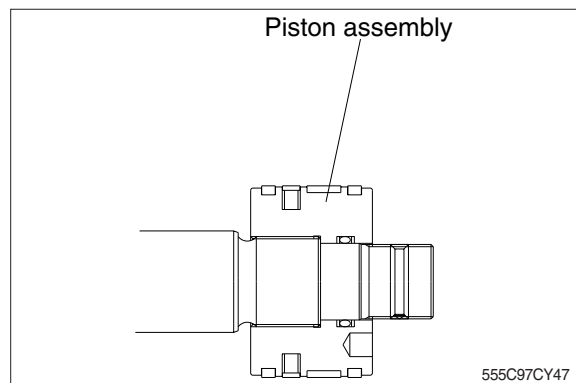


**(3) Install piston and cylinder head**

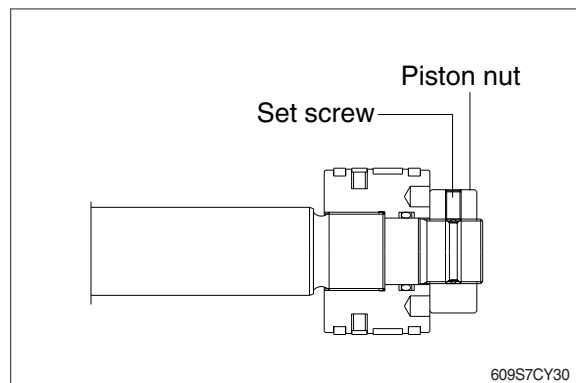
- ① Fix the rod assembly to the work bench.
- ② Apply hydraulic oil to the outer surface of rod assembly (3), the inner surface of piston and cylinder head.
- ③ Insert cylinder head assembly to rod assembly.



- ⑤ Fit piston assembly to rod assembly.
  - Tightening torque : Refer to page 7-130.



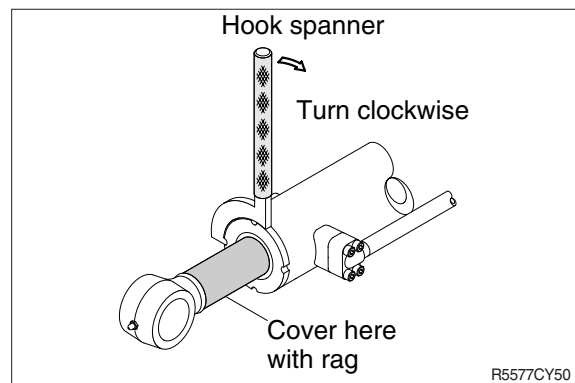
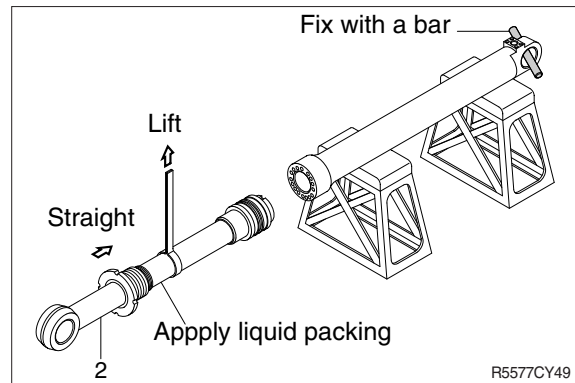
- ⑥ Fit piston nut and tighten the set screw (22).
  - Tightening torque : Refer to page 7-130.





### (3) Overall assemble

- ① Place a V-block on a rigid work bench.  
Mount the tube assembly (2) on it and fix the assembly by passing a bar through the clevis pin hole to lock the assembly.
- ② Insert the rod assembly in to the tube assembly, while lifting and moving the rod assembly with a crane.
  - ※ Be careful not to damage piston seal by thread of tube assembly.
- ③ Match the bolt holes in the cylinder head flange to the tapped holes in the tube assembly and tighten socket bolts to a specified torque.
  - ※ Refer to the table of tightening torque.

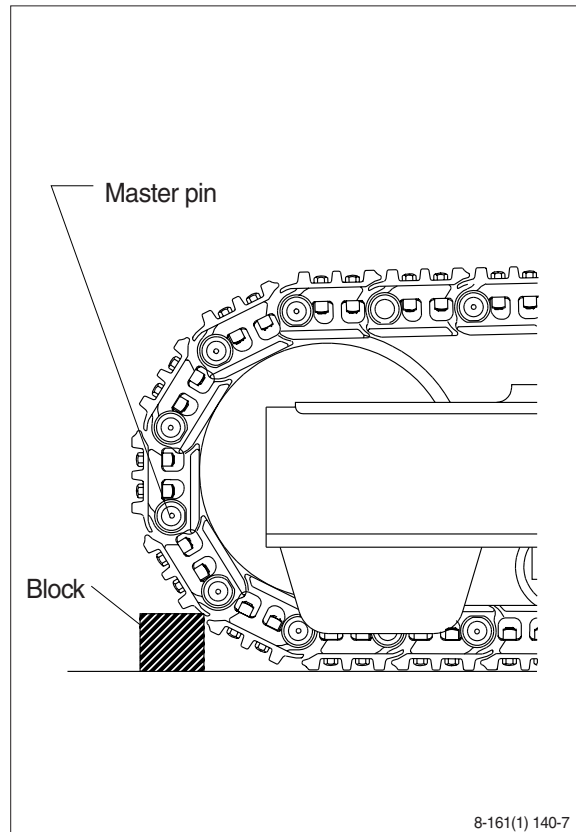


## GROUP 10 UNDERCARRIAGE

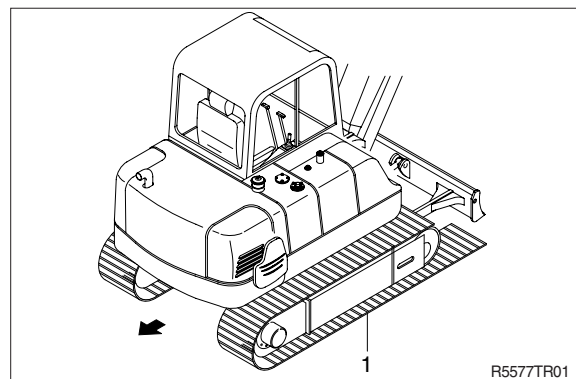
### 1. TRACK LINK

#### 1) REMOVAL

- (1) Move track link until master pin is over front idler in the position put wooden block as shown.
- (2) Loosen tension of the track link.
  - ※ If track tension is not relieved when the grease valve is loosened, move the machine backwards and forwards.
- (3) Push out master pin by using a suitable tool.

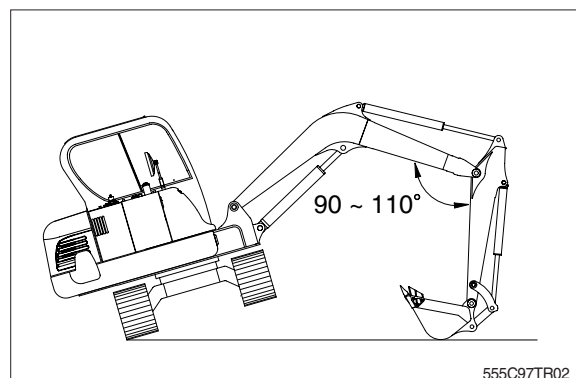


- (4) Move the machine slowly in reverse, and lay out track link assembly (1).
  - ※ Jack up the machine and put wooden block under the machine.
  - ※ Don't get close to the sprocket side as the track shoe plate may fall down on your feet.



#### 2) INSTALL

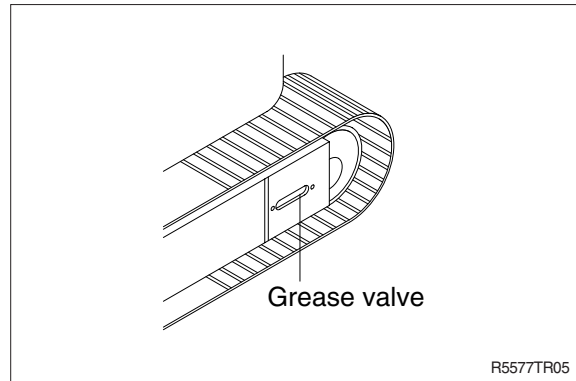
- (1) Carry out installation in the reverse order to removal.
  - ※ Adjust the tension of the track link.



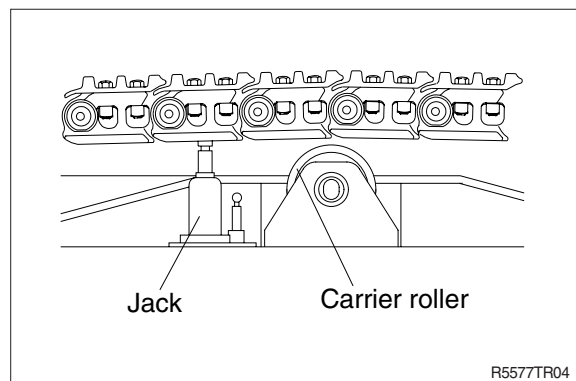
## 2. CARRIER ROLLER

### 1) REMOVAL

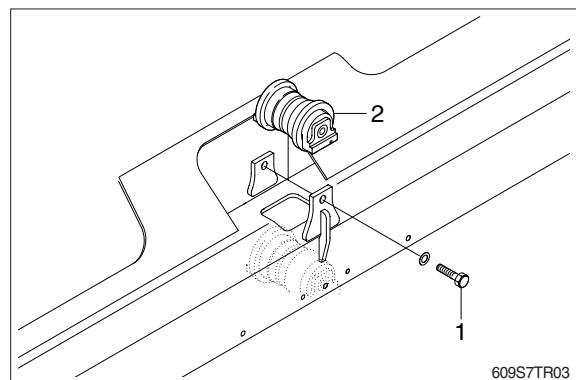
- (1) Loosen tension of the track link.



- (2) Jack up the track link height enough to permit carrier roller removal.



- (3) Remove bolt (1) at both side.
- (4) Remove carrier roller (2).
  - Weight : 12 kg (26 lb)



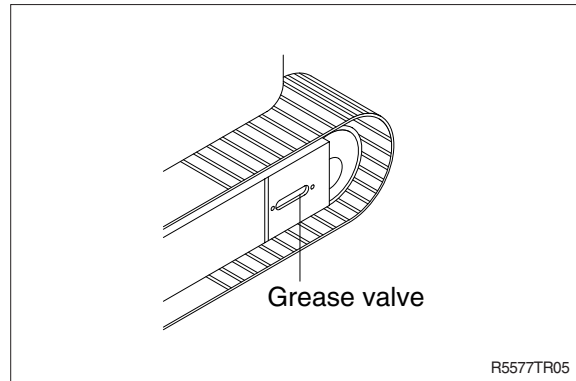
### 2) INSTALL

- (1) Carry out installation in the reverse order to removal.

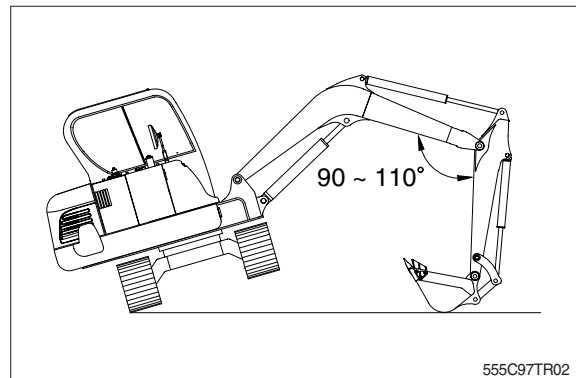
### 3. TRACK ROLLER

#### 1) REMOVAL

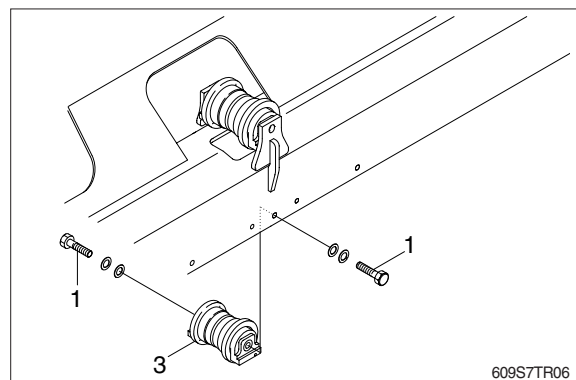
- (1) Loosen tension of the track link.



- (2) Using the work equipment, push up track frame on side which is to be removed.  
※ After jack up the machine, set a block under the unit.



- (3) Remove the mounting bolt (1) and draw out the track roller (3).  
· Weight : 12 kg (26 lb)



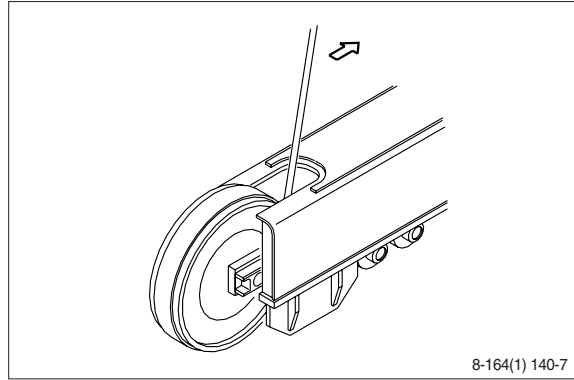
#### 2) INSTALL

- (1) Carry out installation in the reverse order to removal.

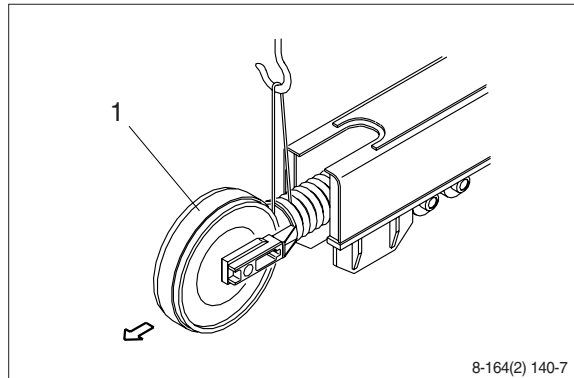
## 4. IDLER AND RECOIL SPRING

### 1) REMOVAL

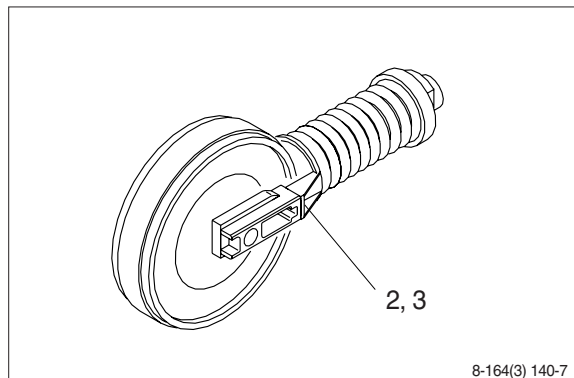
- (1) Remove the track link.  
For detail, see removal of track link.



- (2) Sling the recoil spring (1) and pull out idler and recoil spring assembly from track frame, using a pry.
  - Weight : 100 kg (220 lb)

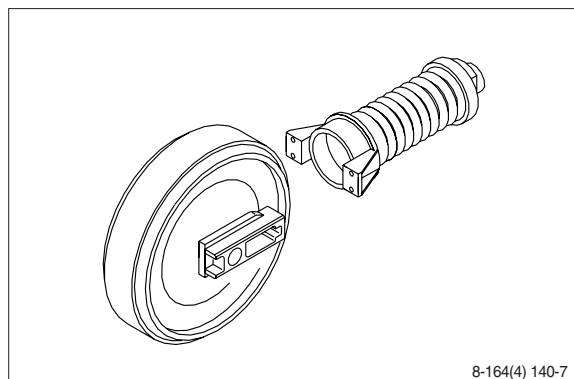


- (3) Remove the bolts (2), washers (3) and separate idler from recoil spring.



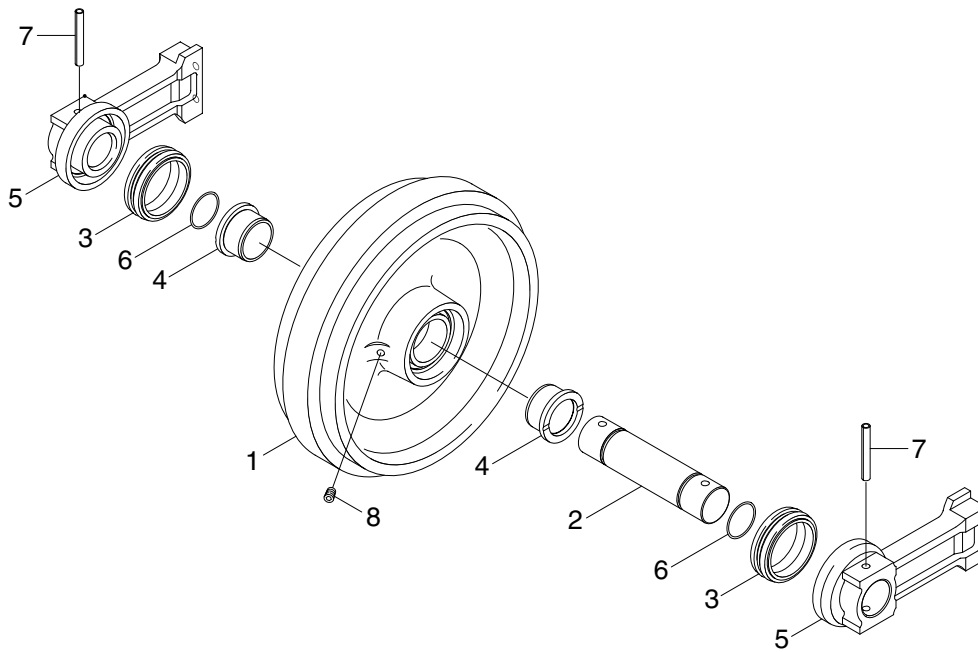
### 2) INSTALL

- (1) Carry out installation in the reverse order to removal.
  - ※ Make sure that the boss on the end face of the recoil cylinder rod is in the hole of the track frame.



### 3) DISASSEMBLY AND ASSEMBLY OF IDLER

#### (1) Structure



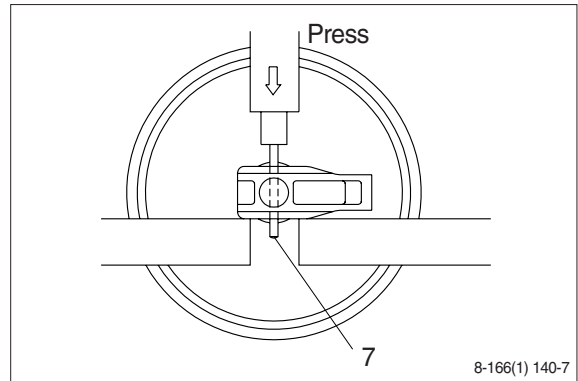
555K7ID43

- |   |               |   |         |   |            |
|---|---------------|---|---------|---|------------|
| 1 | Shell         | 4 | Bushing | 7 | Spring pin |
| 2 | Shaft         | 5 | Bracket | 8 | Plug       |
| 3 | Seal assembly | 6 | O-ring  |   |            |

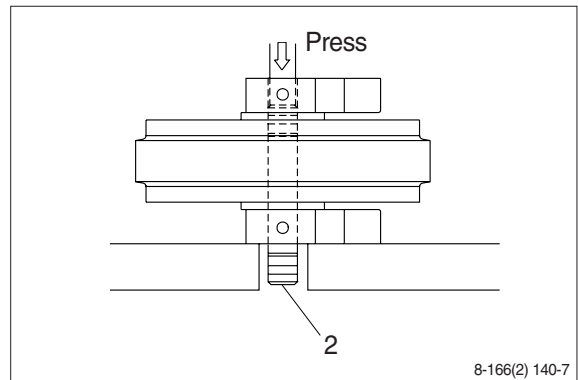


## (2) Disassembly

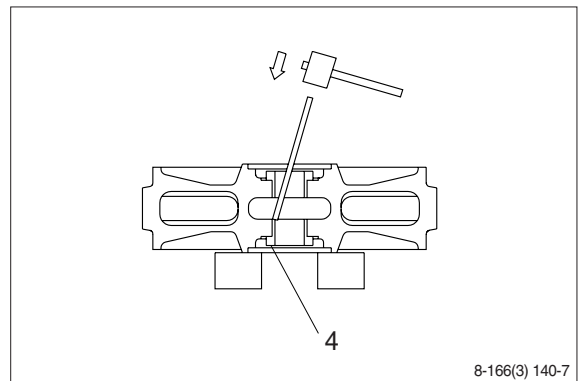
- ① Remove plug and drain oil.
- ② Draw out the spring pin (7), using a press.



- ③ Pull out the shaft (2) with a press.
- ④ Remove seal (3) from idler (1) and bracket (5).
- ⑤ Remove O-ring (6) from shaft.

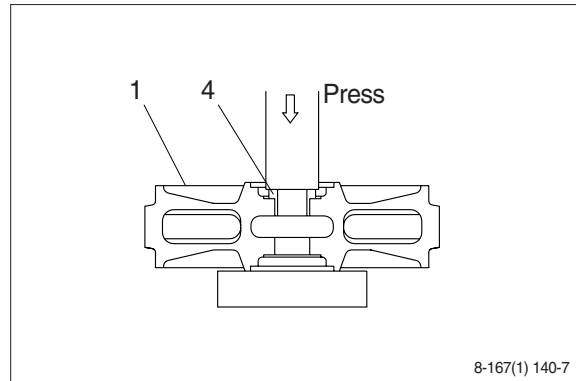


- ⑥ Remove the bushing (4) from idler, using a special tool.
- ※ Only remove bushing if replacement is necessary.

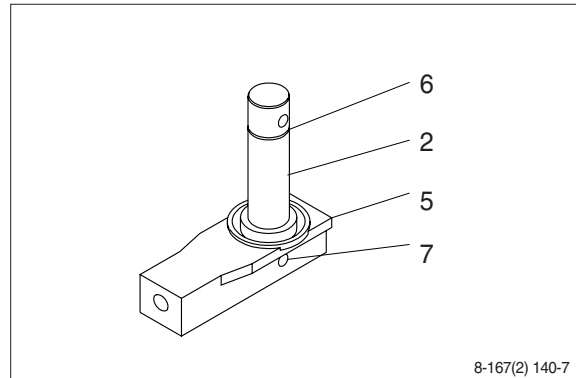


### (3) Assembly

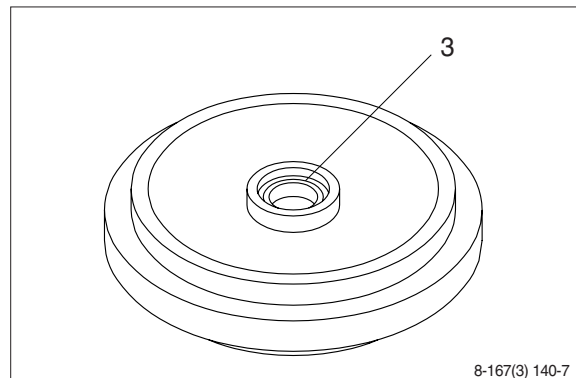
- ※ Before assembly, clean the parts.
  - ※ Coat the sliding surfaces of all parts with oil.
- ① Cool up bushing (4) fully by some dry ice and press it into shell (1).  
Do not press it at the normal temperature, or not knock in with a hammer even after the cooling.



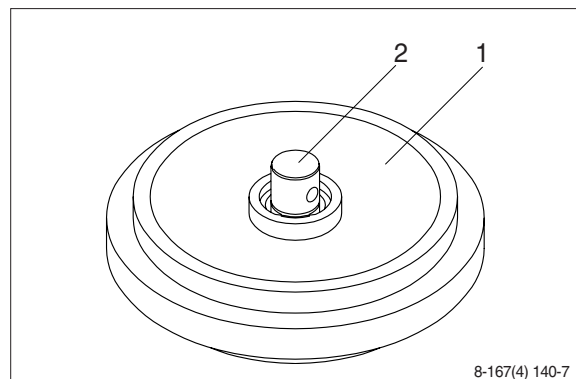
- ② Coat O-ring (6) with grease thinly, and install it to shaft (2).
- ③ Insert shaft (2) into bracket (5) and drive in the spring pin (7).



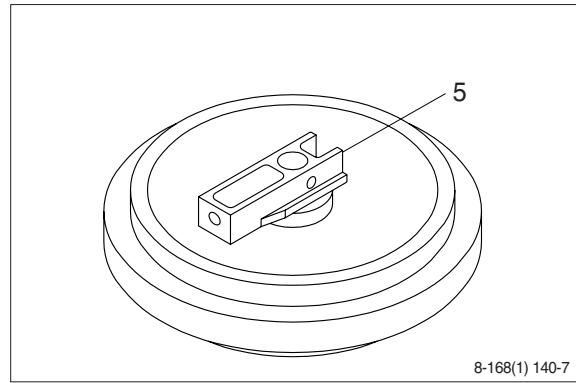
- ④ Install seal (3) to shell (1) and bracket (5).



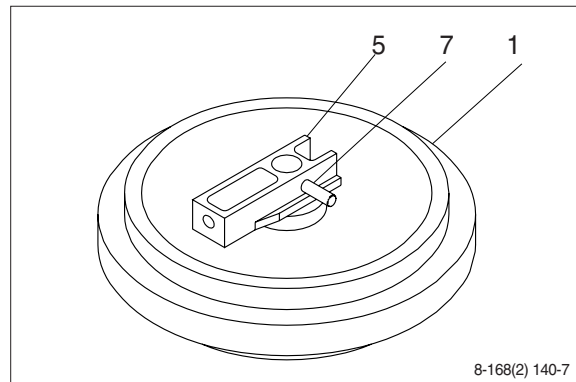
- ⑤ Install shaft (2) to shell (1).



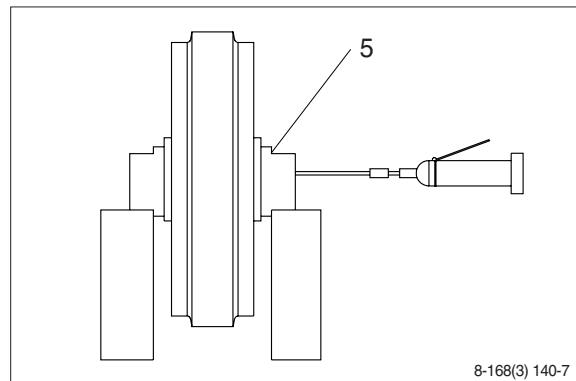
- ⑥ Install bracket (5) attached with seal (3).



- ⑦ Knock in the spring pin (7) with a hammer.

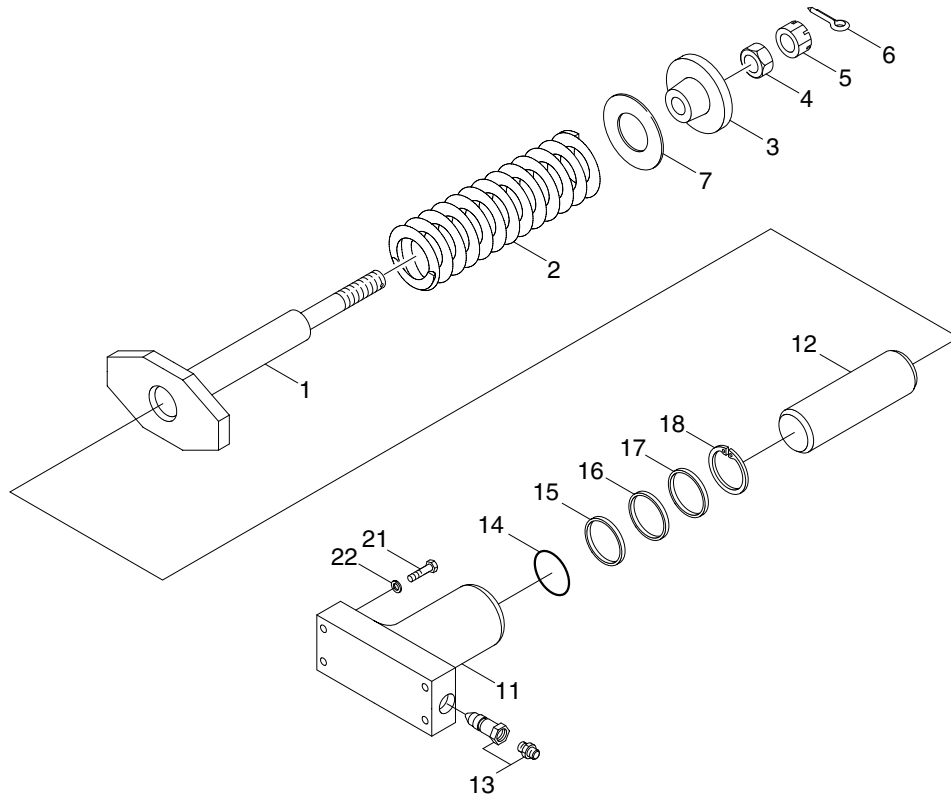


- ⑧ Lay bracket (5) on its side.  
Supply engine oil to the specified level,  
and tighten plug.



#### 4) DISASSEMBLY AND ASSEMBLY OF RECOIL SPRING

##### (1) Structure

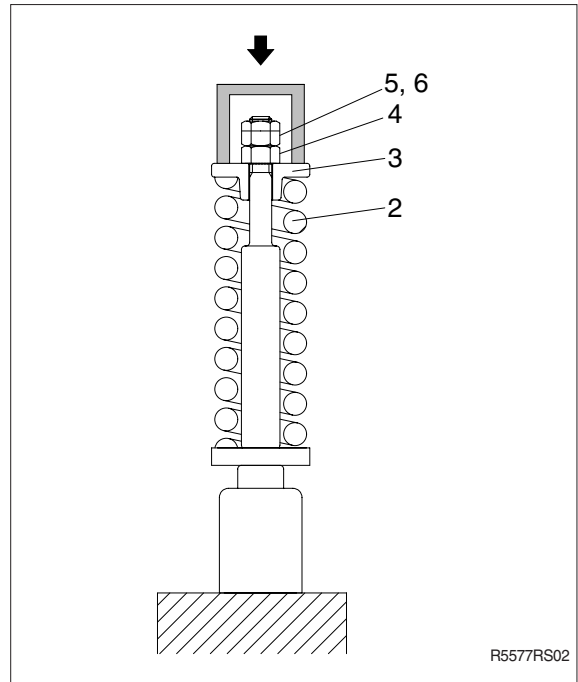


R5577RS01

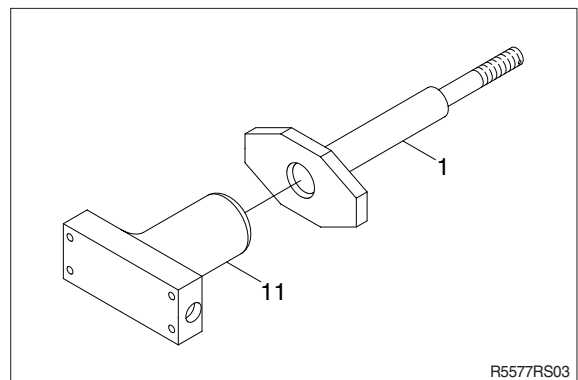
- |   |                 |    |              |    |                |
|---|-----------------|----|--------------|----|----------------|
| 1 | Rod             | 7  | Spacer       | 16 | Dust-seal      |
| 2 | Spring          | 11 | Bracket      | 17 | Spacer         |
| 3 | Lock washer     | 12 | Piston       | 18 | Retaining ring |
| 4 | Hex-nut         | 13 | Grease valve | 21 | Bolt           |
| 5 | Slotted hex-nut | 14 | O-ring       | 22 | Washer         |
| 6 | Split pin       | 15 | Back-up ring |    |                |

## (2) Disassembly

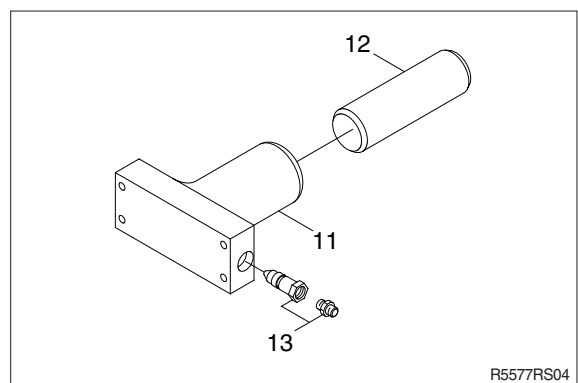
- ① Apply pressure on spring (3) with a press.  
The spring is under a large installed load.  
※ This is dangerous, so be sure to set properly.
  - Spring set load : 3900 kg (8600 lb)
- ② Remove split pin (6) and nut (5).
- ③ Remove lock nut (4).
- Take enough notice so that the press which pushes down the spring, should not be slipped out in its operation.
- ④ Lighten the press load slowly and remove lock washer (3) and spring (2).



- ⑤ Remove rod (1) from bracket (11).



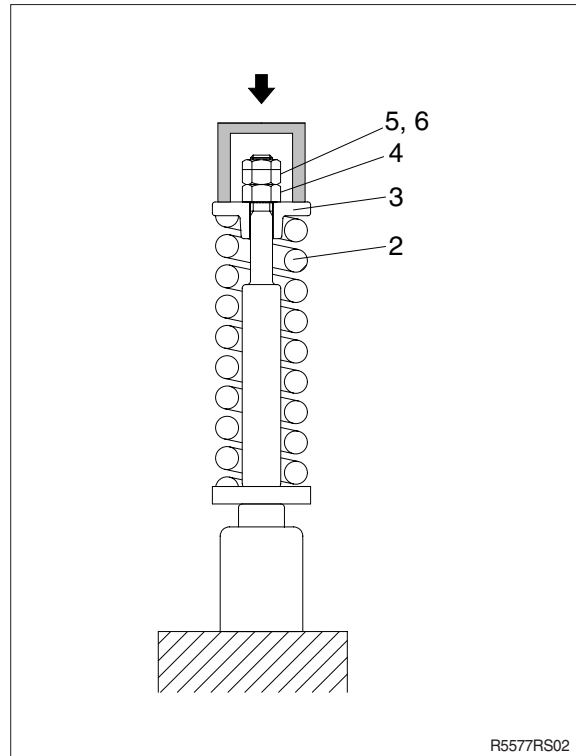
- ⑥ Remove grease valve (13) from bracket (11).
- ⑦ Remove piston (12) from bracket (11).



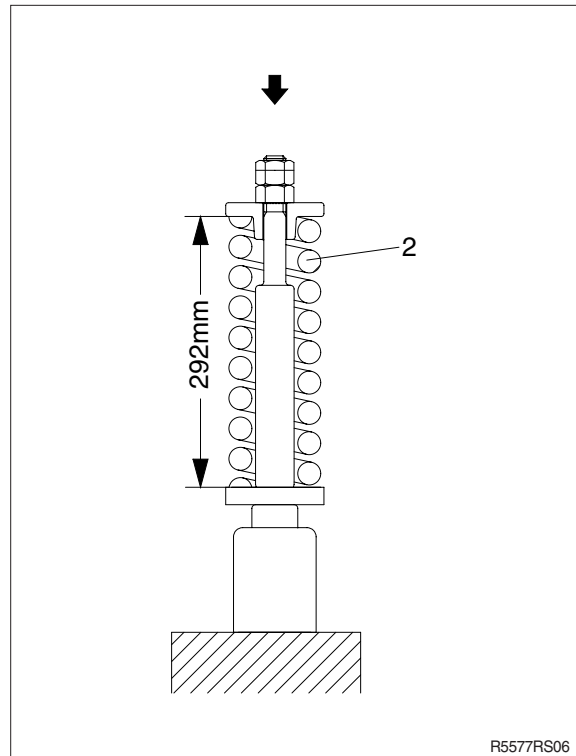




- ⑤ Install spring (3) and bracket (4) to body (1).
- ⑥ Apply pressure to spring (3) with a press and tighten nut (4).
  - ※ Apply sealant before assembling.
  - ※ During the operation, pay attention specially to prevent the press from slipping out.
    - Tightening torque :  $30 \pm 3 \text{ kgf} \cdot \text{m}$   
( $217 \pm 21 \text{ lbf} \cdot \text{ft}$ )
- ⑦ Tighten nut (5) and insert split pin (6).

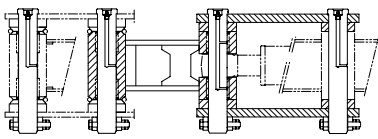
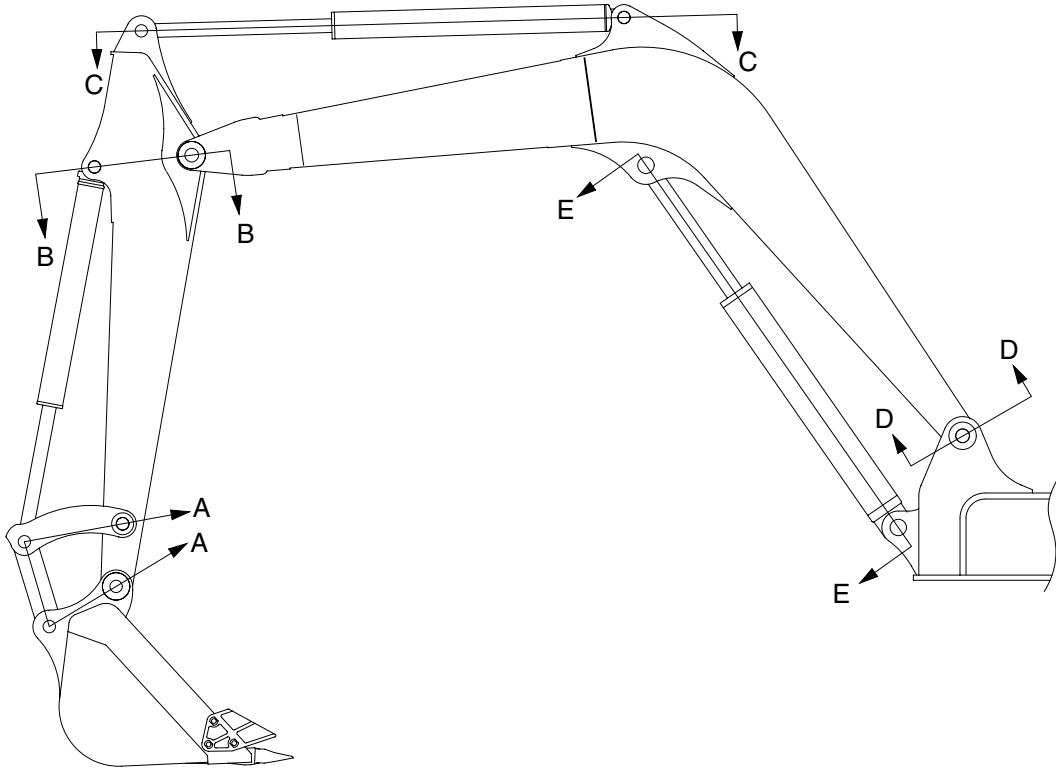


- ⑧ Lighten the press load and confirm the set length of spring (2).

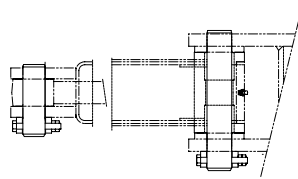


# GROUP 11 WORK EQUIPMENT

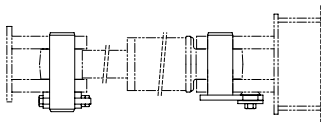
## 1. STRUCTURE



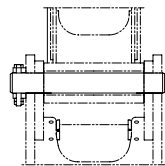
SECTION A-A



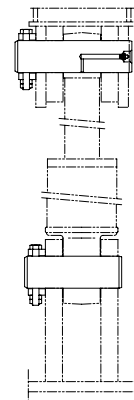
SECTION B-B



SECTION C-C



SECTION D-D



SECTION E-E

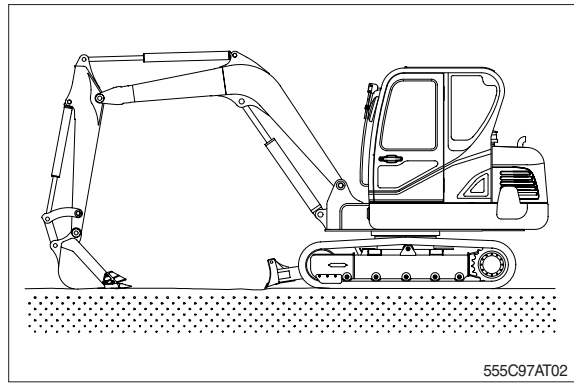
R5577AT01

## 2. REMOVAL AND INSTALL

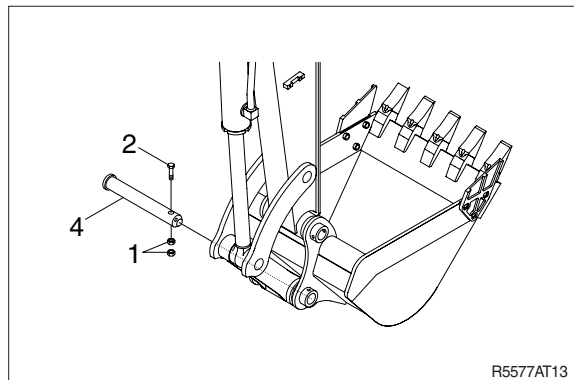
### 1) BUCKET ASSEMBLY

#### (1) Removal

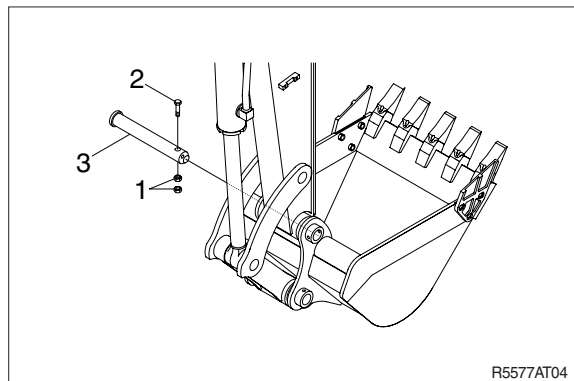
- ① Lower the work equipment completely to ground with back of bucket facing down.



- ② Remove nut (1), bolt (2) and draw out the pin (4).



- ③ Remove nut (1), bolt (2) and draw out the pin (3) then remove the bucket (0.18 m<sup>3</sup> SAE heaped) assembly.
  - Weight : 170 kg (370 lb)

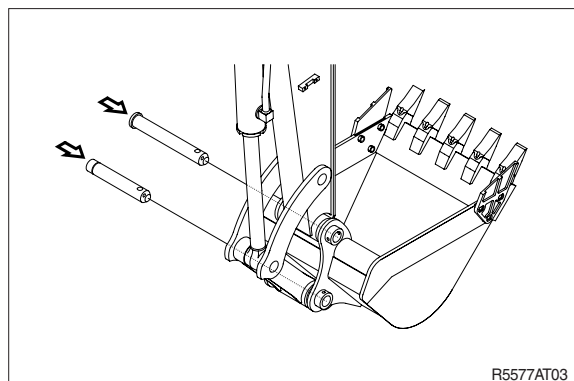


#### (2) Install

- ① Carry out installation in the reverse order to removal.

**▲** When aligning the mounting position of the pin, do not insert your fingers in the pin hole.

- ※ Adjust the bucket clearance.  
For detail, see operation manual.



## 2) ARM ASSEMBLY

### (1) Removal

※ Loosen the breather slowly to release the pressure inside the hydraulic tank.

**▲ Escaping fluid under pressure can penetrate the skin causing serious injury.**

① Remove bucket assembly.

For details, see removal of bucket assembly.

② Disconnect bucket cylinder hose (4).

**▲ Fit blind plugs (5) in the piping at the chassis end securely to prevent oil from spurting out when the engine is started.**

③ Sling arm cylinder assembly, remove spring, pin stopper and pull out pin.

※ Tie the rod with wire to prevent it from coming out.

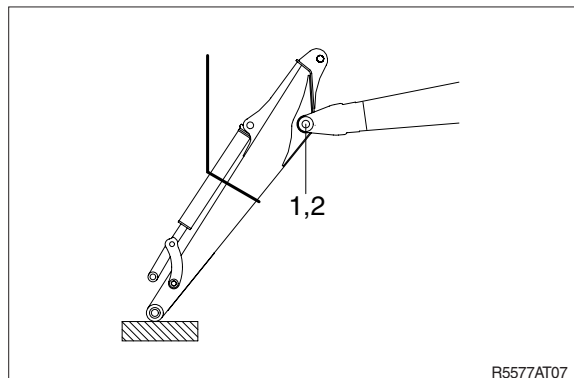
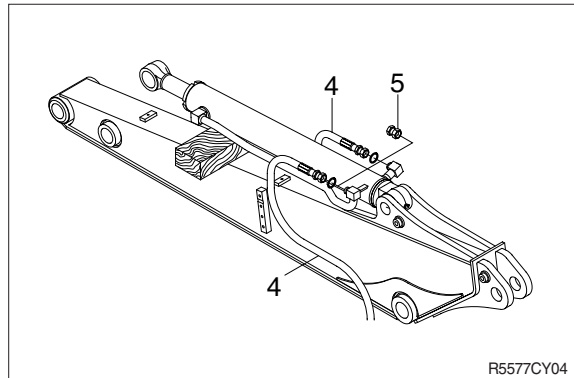
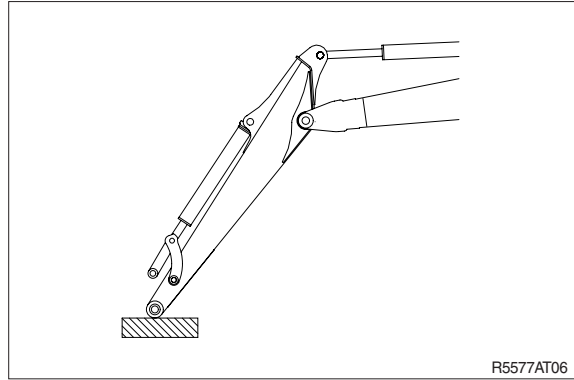
④ For details, see removal of arm cylinder assembly.

Place a wooden block under the cylinder and bring the cylinder down to it.

⑤ Remove bolt (1) and pull out the pin (2) then remove the arm (1.6 m) assembly.

· Weight : 210 kg (470 lb)

※ When lifting the arm assembly, always lift the center of gravity.



### (2) Install

① Carry out installation in the reverse order to removal.

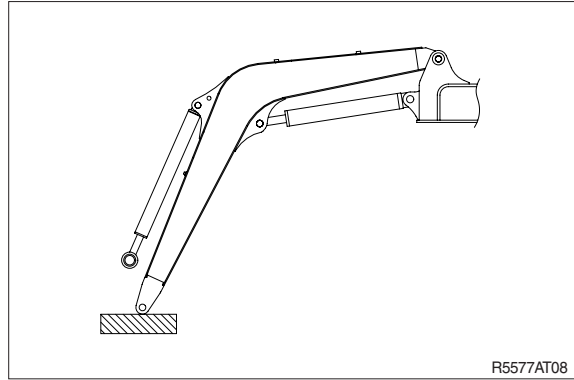
**▲ When lifting the arm assembly, always lift the center of gravity.**

※ Bleed the air from the cylinder.

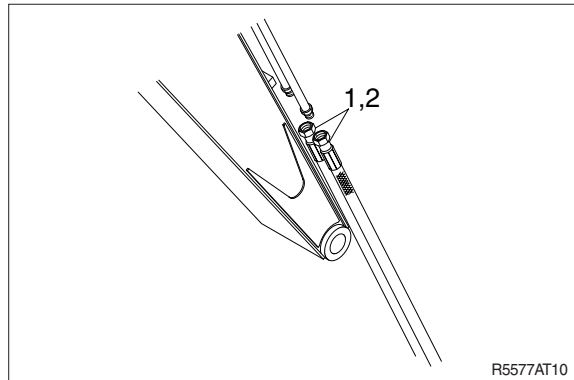
### 3) BOOM CYLINDER

#### (1) Removal

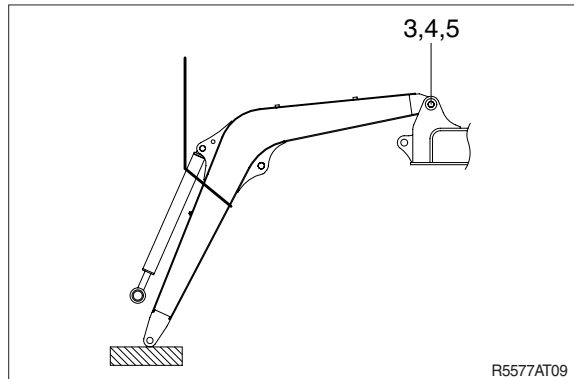
- ① Remove arm and bucket assembly.
- ② For details, see removal of arm and bucket assembly.  
Remove boom cylinder assembly from boom.  
For details, see removal of arm cylinder assembly.



- ③ Disconnect head lamp wiring.
- ④ Disconnect bucket cylinder hose (2) and arm cylinder hose (1).  
※ When the hose are disconnected, oil may spurt out.
- ⑤ Sling boom assembly (3).



- ⑥ Remove bolt (3), nut (4) and pull out the pin (5) then remove boom (3.0 m) assembly.  
- Weight : 310 kg (680 lb)  
※ When lifting the boom assembly always lift the center of gravity.



#### (2) Install

- ① Carry out installation in the reverse order to removal.
- ▲ When lifting the arm assembly, always lift the center of gravity.
- ※ Bleed the air from the cylinder.

