

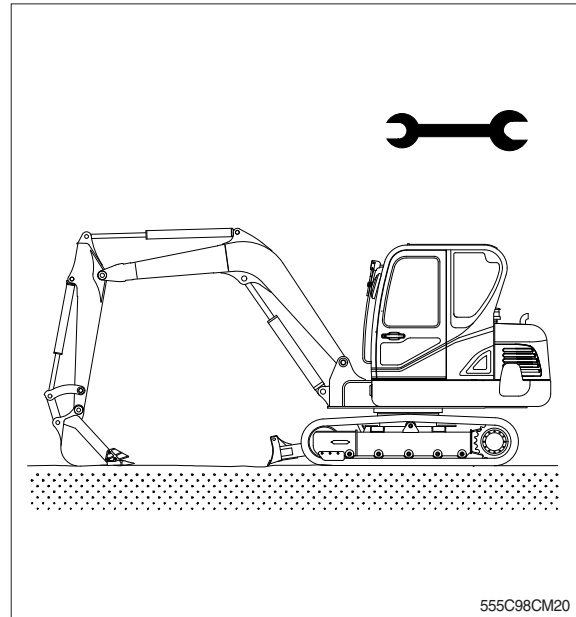
SECTION 8 COMPONENT MOUNTING TORQUE

Group 1 Introduction guide	8-1
Group 2 Engine system	8-2
Group 3 Electric system	8-4
Group 4 Hydraulic system	8-5
Group 5 Undercarriage	8-7
Group 6 Structure	8-8
Group 7 Work equipment	8-10

SECTION 8 COMPONENT MOUNTING TORQUE

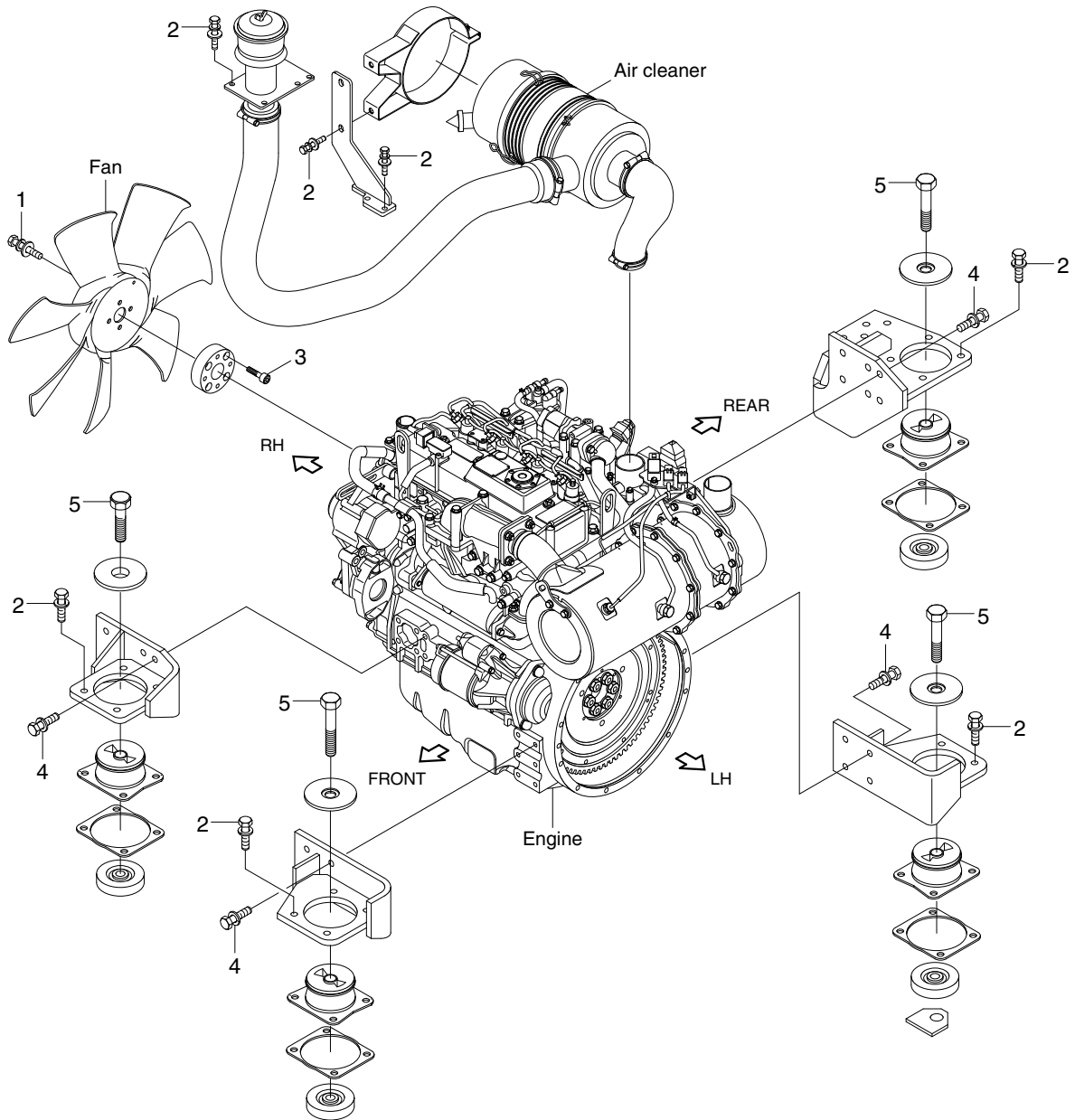
GROUP 1 INTRODUCTION GUIDE

1. This section shows bolt specifications and standard torque values needed when mounting components to the machine.
 2. Use genuine Hyundai spare parts.
We expressly point out that Hyundai will not accept any responsibility for defects resulted from non-genuine parts.
In such cases Hyundai cannot assume liability for any damage.
- ※ Only metric fasteners can be used and incorrect fasteners may result in machine damage or malfunction.
 - ※ Before installation, clean all the components with a non-corrosive cleaner. Bolts and threads must not be worn or damaged.



GROUP 2 ENGINE SYSTEM

1. ENGINE AND ACCESSORIES MOUNTING



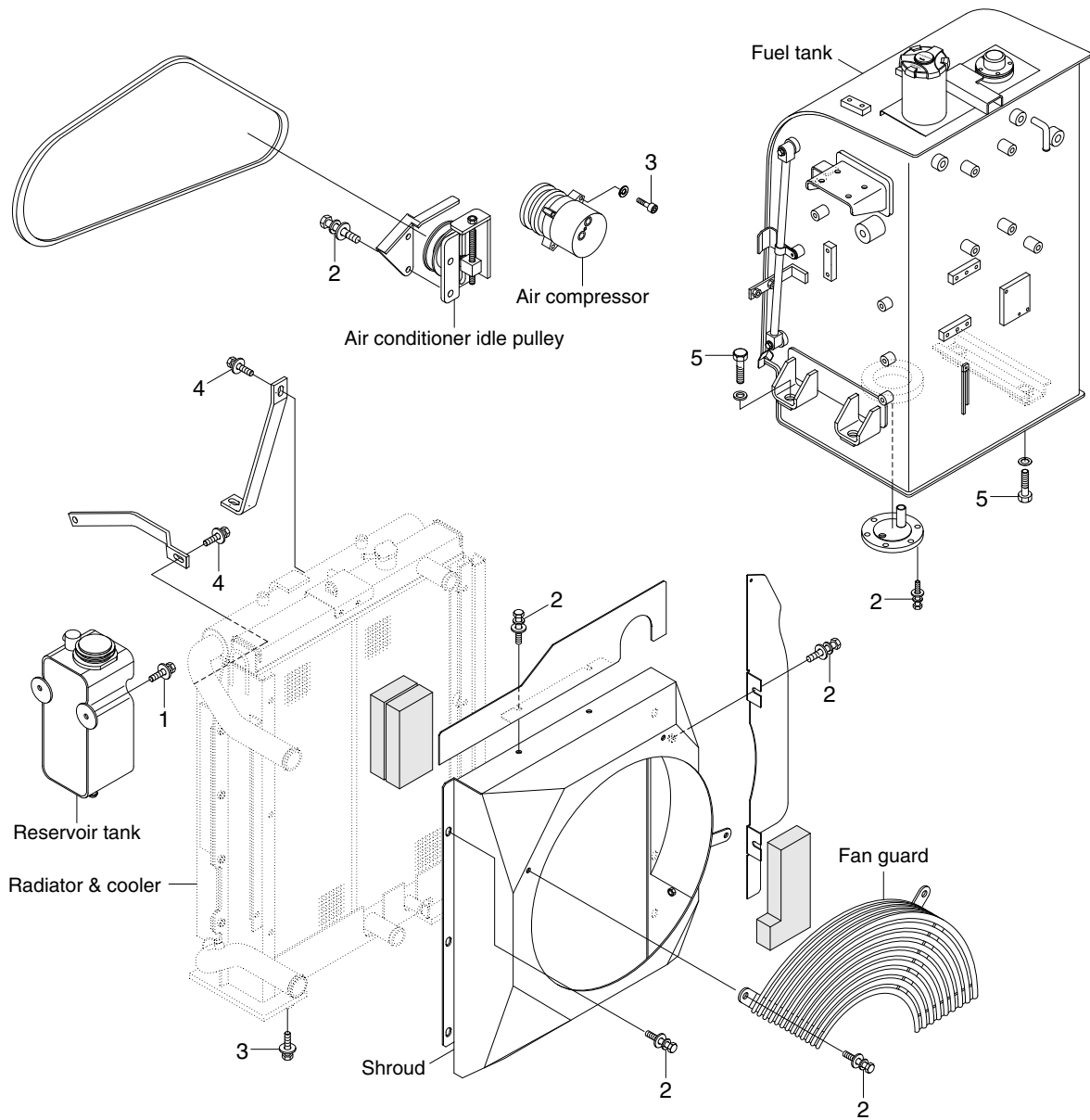
55W9A8CM01

· Tightening torque

Item	Size	kgf · m	lbf · ft
1	M 8×1.25	1.8±0.2	13.0±1.4
2	M 8×1.25	2.5±0.5	18.1±3.6
3	M 8×1.25	3.0±0.2	21.7±1.4

Item	Size	kgf · m	lbf · ft
4	M10×1.5	6.9±1.0	49.9±7.2
5	M16×2.0	25±2.5	181±18

2. COOLING SYSTEM AND FUEL TANK MOUNTING



55W9A8CM02

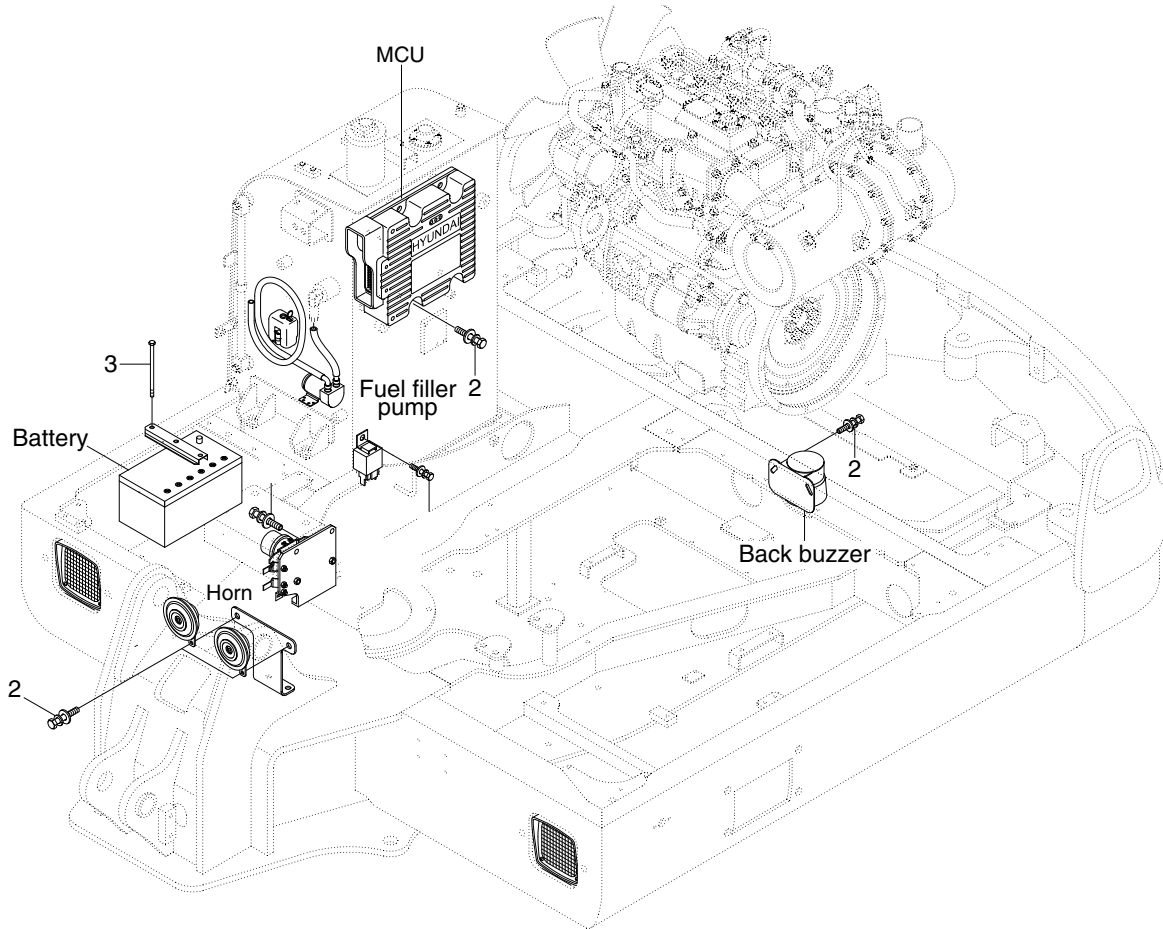
· Tightening torque

Item	Size	kgf · m	lbf · ft
1	M 6×1.0	1.05±0.2	7.6±1.45
2	M 8×1.25	2.5±0.5	18.1±3.6
3	M10×1.25	6.9±1.4	49.9±10.1

Item	Size	kgf · m	lbf · ft
4	M12×1.75	12.8±3.0	92.6±21.7
5	M16×2.0	25±2.5	181±18.1

GROUP 3 ELECTRIC SYSTEM

1. ELECTRIC COMPONENTS MOUNTING



559A8CM03

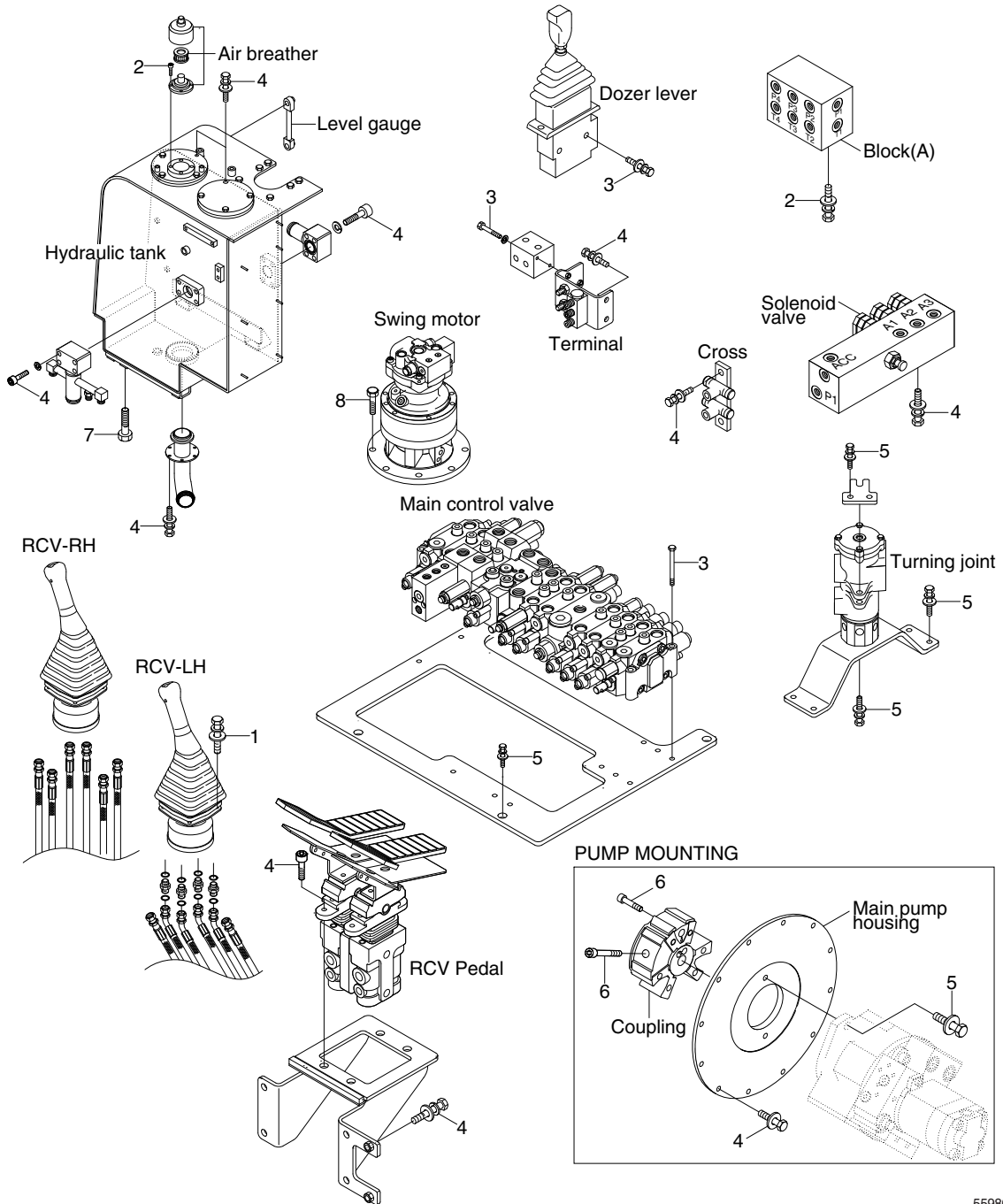
· Tightening torque

Item	Size	kgf · m	lbf · ft
1	M 6×1.0	1.05±0.2	7.6±1.45
2	M 8×1.25	2.5±0.5	18.1±3.6

Item	Size	kgf · m	lbf · ft
3	M10×1.5	6.9±1.4	49.9±10.1

GROUP 4 HYDRAULIC SYSTEM

1. HYDRAULIC COMPONENTS MOUNTING 1



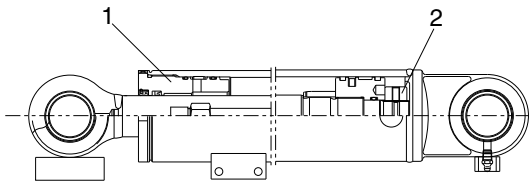
5598CM05

• Tightening torque

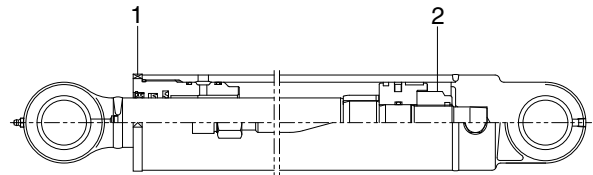
Item	Size	kgf · m	lbf · ft
1	M 6×1.0	1.05±0.2	7.6±1.45
2	M 6×1.0	1.44±0.3	10.4±2.2
3	M 8×1.25	2.5±0.5	18.1±3.6
4	M10×1.5	6.9±1.4	49.9±10.1

Item	Size	kgf · m	lbf · ft
5	M12×1.75	12.2±1.3	88.2±9.4
6	M14×2.0	14.0±1.0	101±7.2
7	M16×2.0	25.0±2.5	118±18.1
8	M16×2.0	29.7±4.5	215±33.0

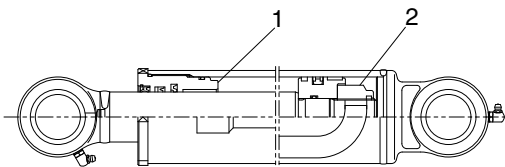
2. HYDRAULIC COMPONENTS MOUNTING 2



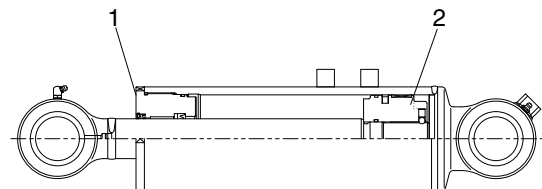
BOOM CYLINDER



ARM CYLINDER



BUCKET CYLINDER



DOZER CYLINDER

5598CM07

· Tightening torque

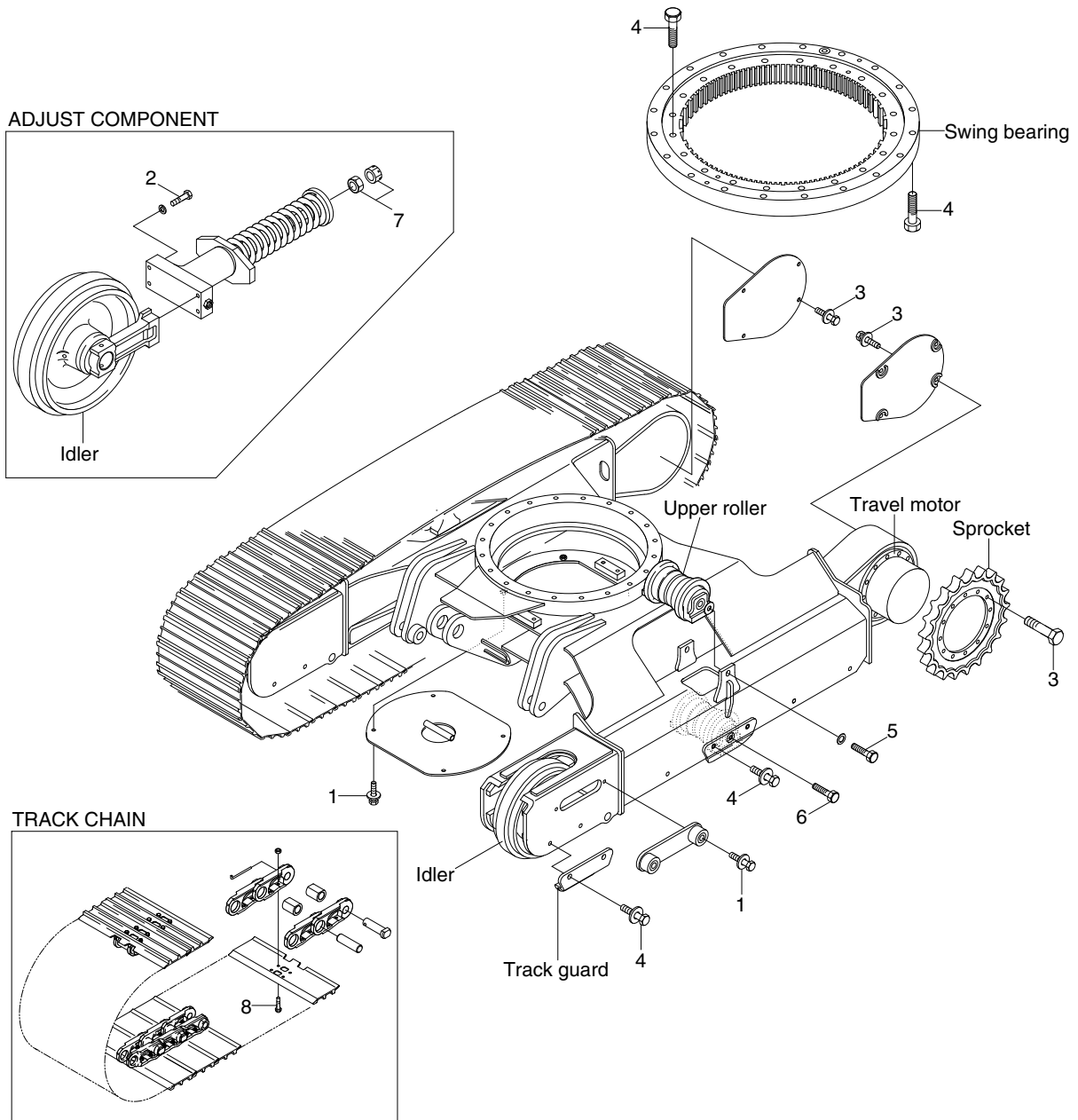
Rod cover (1)

Item	Size	kgf · m	lbf · ft
Boom cylinder	M115	70 ± 7.0	506 ± 51
Arm cylinder	M95	70 ± 7.0	506 ± 51
Bucket cylinder	M85	75 ± 7.5	542 ± 54
Dozer cylinder	M115	95 ± 9.5	690 ± 69

Piston nut (2)

Item	Size	kgf · m	lbf · ft
Boom cylinder	M45	75 ± 7.5	542 ± 54
Arm cylinder	M39	75 ± 7.5	542 ± 54
Bucket cylinder	M36	75 ± 7.5	542 ± 54
Dozer cylinder	M45	113 ± 11.3	817 ± 82

GROUP 5 UNDERCARRIAGE



559A8CM08

· Tightening torque

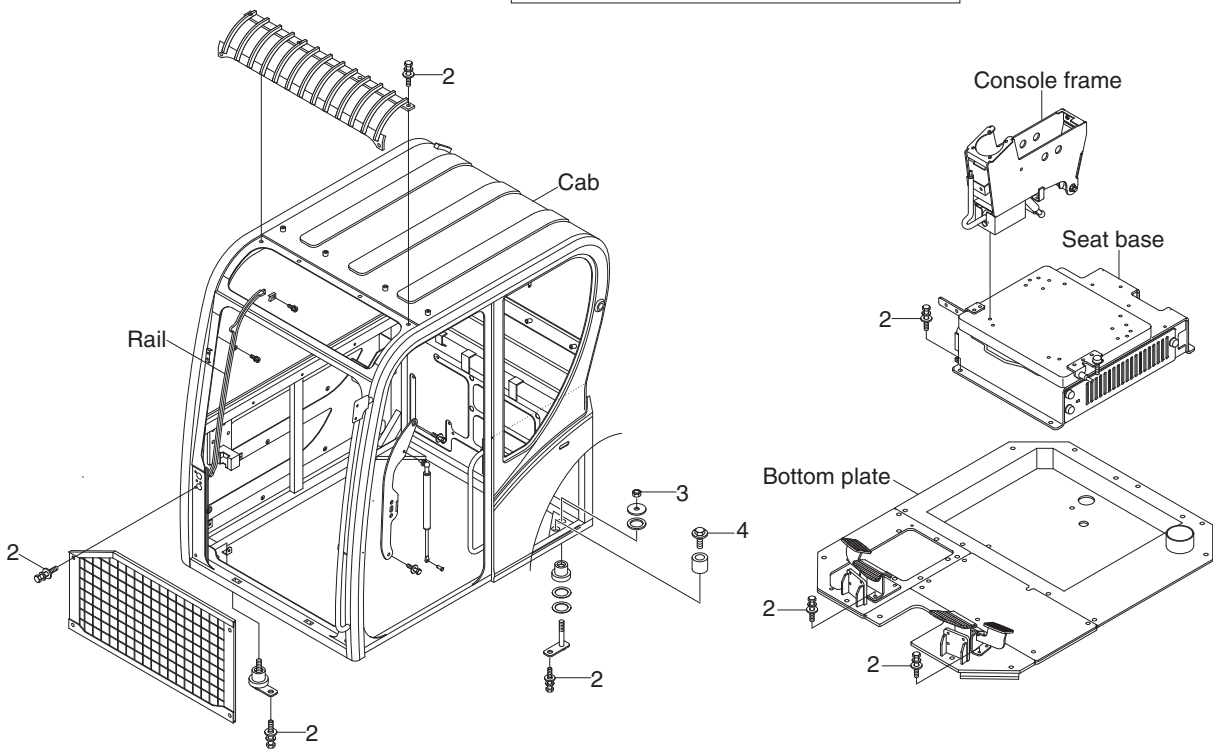
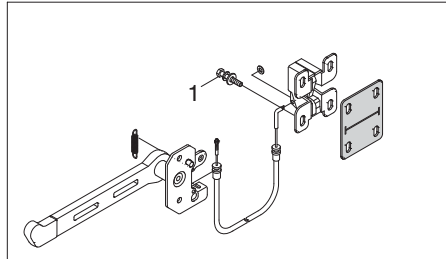
Item	Size	kgf · m	lbf · ft
1	M10×1.5	6.9±1.4	49.9±10.1
2	M12×1.75	12.8±3.0	92.6±21.7
3	M14×2.0	19.6±2.5	142±18.0
4	M16×2.0	29.7±4.5	215±32.5

Item	Size	kgf · m	lbf · ft
5	M18×2.0	41.0±5.0	297±36.0
6	M20×2.5	57.8±6.4	418±46.3
7	1/2-12	19.0±1.0	137±7.2

GROUP 6 STRUCTURE

1. CAB AND ACCESSORIES MOUNTING

CATCH-BACK



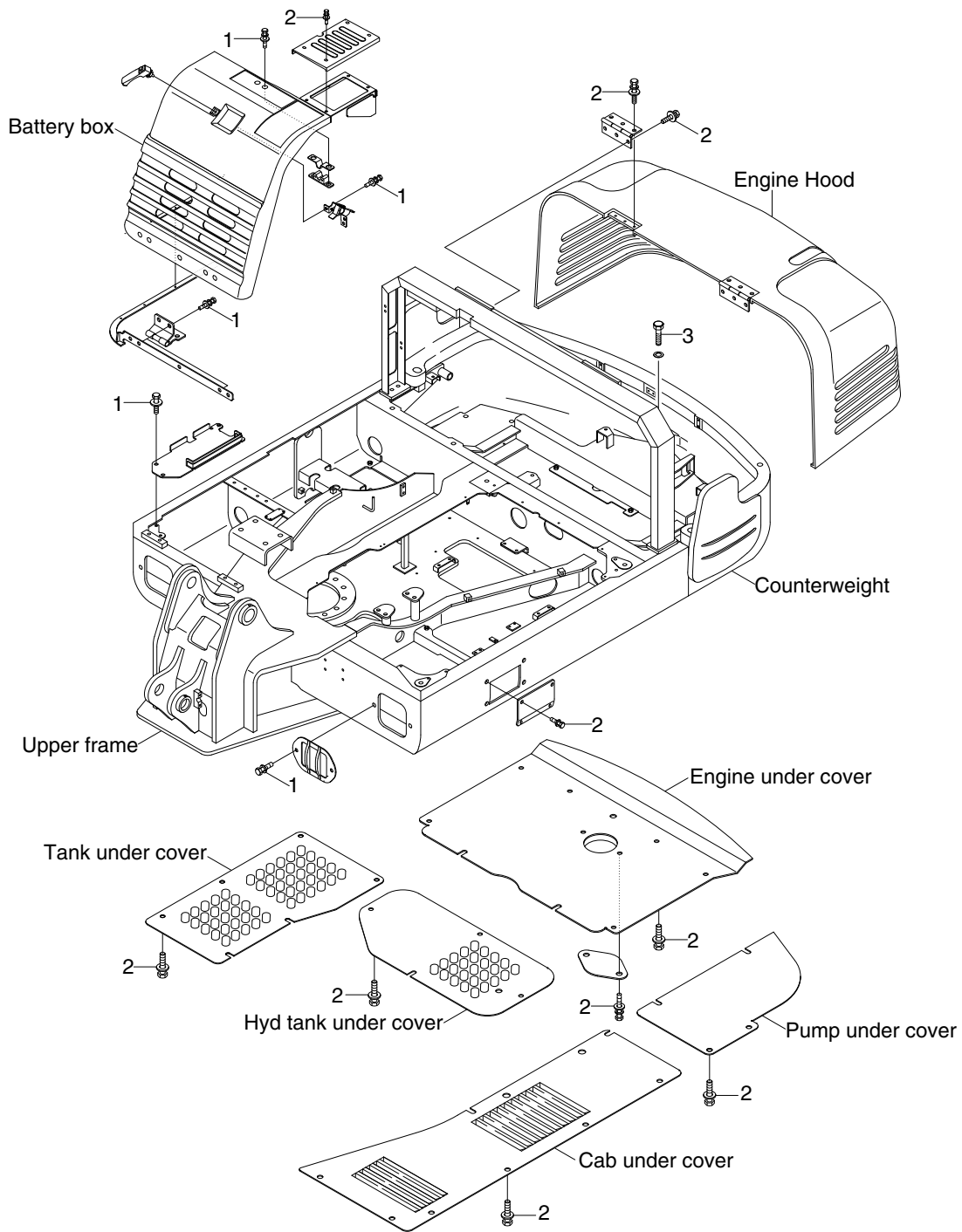
5598CM09

· Tightening torque

Item	Size	kgf · m	lbf · ft
1	M 6 × 1.0	1.05 ± 0.2	7.6 ± 1.45
2	M10 × 1.5	4.7 ± 0.9	34.0 ± 6.5

Item	Size	kgf · m	lbf · ft
3	M12 × 1.75	12.8 ± 3.0	92.6 ± 21.7
4	M16 × 2.0	29.7 ± 4.5	215 ± 32.5

2. COWLING MOUNTING



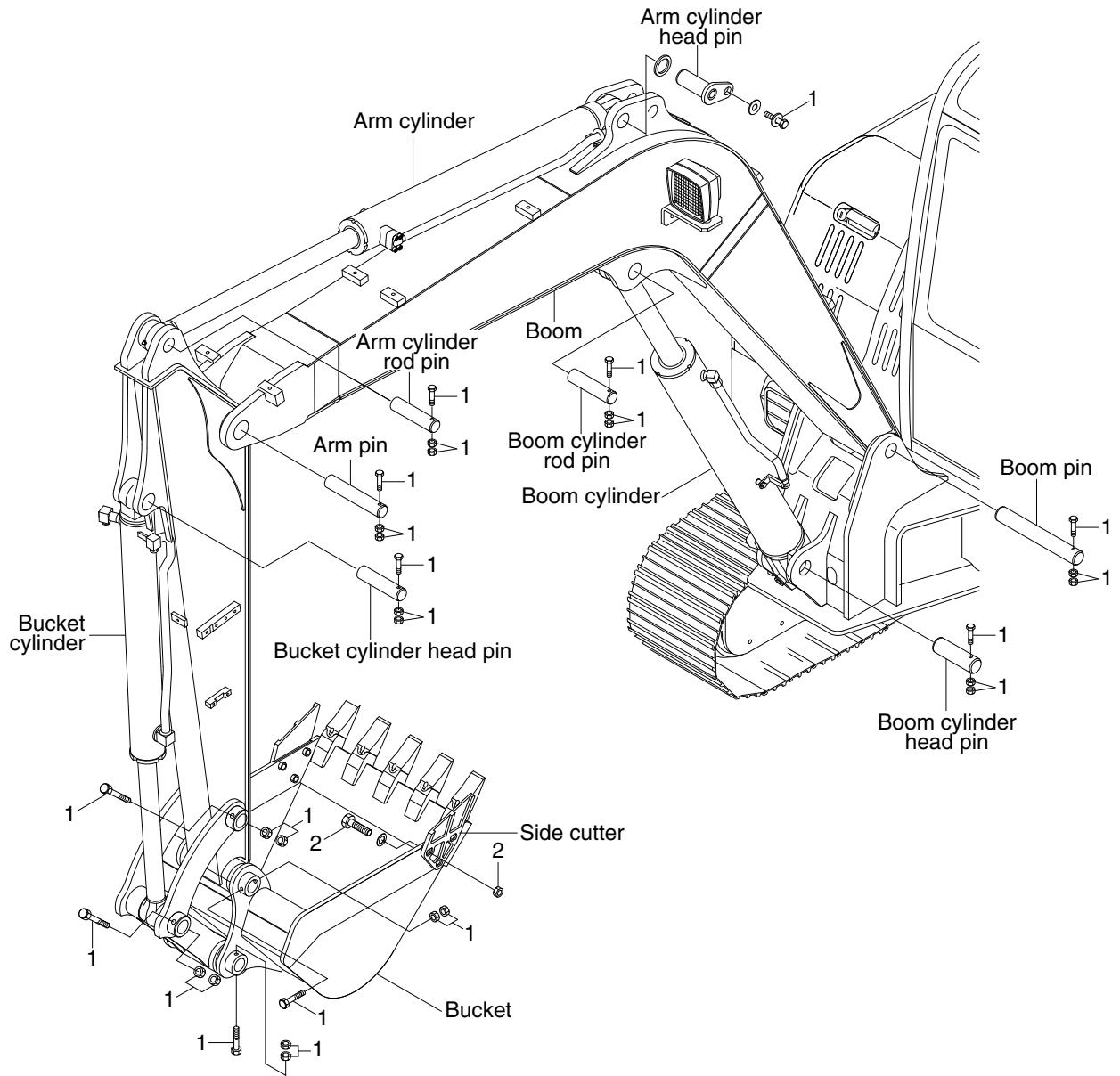
5598CM10

· Tightening torque

Item	Size	kgf · m	lbf · ft
1	M 8×1.25	2.5±0.5	18.1±3.6
2	M10×1.5	6.9±1.4	49.9±10.1

Item	Size	kgf · m	lbf · ft
3	M20×2.5	57.8±6.4	418±46.3

GROUP 7 WORK EQUIPMENT



5598CM11

• Tightening torque

Item	Size	kgf · m	lbf · ft
1	M12×1.75	12.8±3.0	92.6±21.7

Item	Size	kgf · m	lbf · ft
2	M16×2.0	29.7±4.5	215±32.5