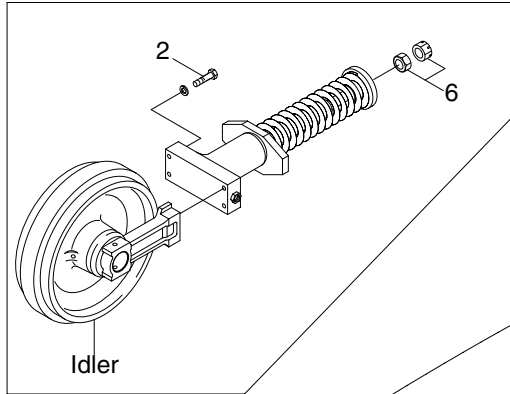
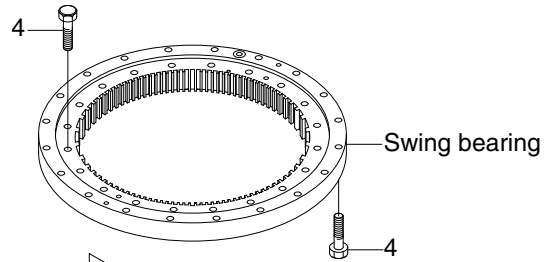


GROUP 5 UNDERCARRIAGE

ADJUST COMPONENT

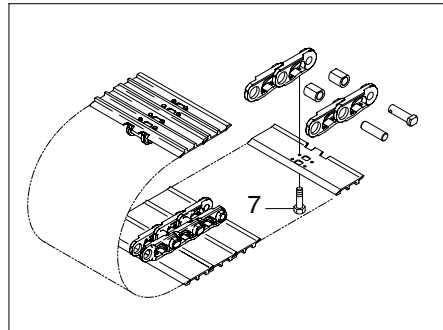


Idler

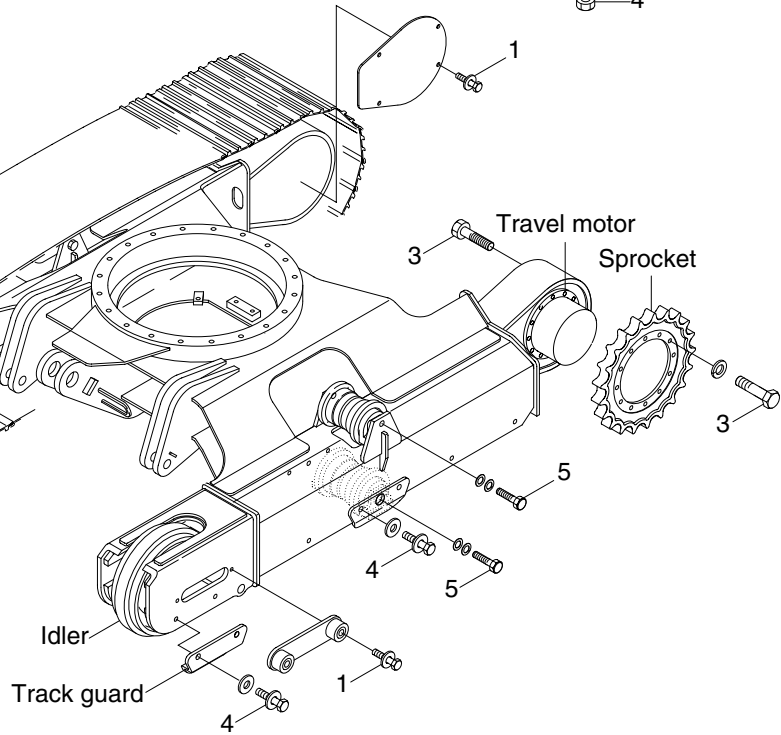


Swing bearing

TRACK CHAIN



7



R557A8CM08

· Tightening torque

Item	Size	kgf · m	lbf · ft
1	M10×1.5	6.9±1.4	49.9±10.1
2	M12×1.75	12.8±3.0	92.6±21.7
3	M14×2.0	20.0±2.0	145±14.0
4	M16×2.0	29.7±4.5	215±32.5

Item	Size	kgf · m	lbf · ft
5	M18×2.0	41.0±5.0	297±36.0
6	M20×2.5	57.8±6.4	418±46.3
7	-	19.0±1.0	137±7.2