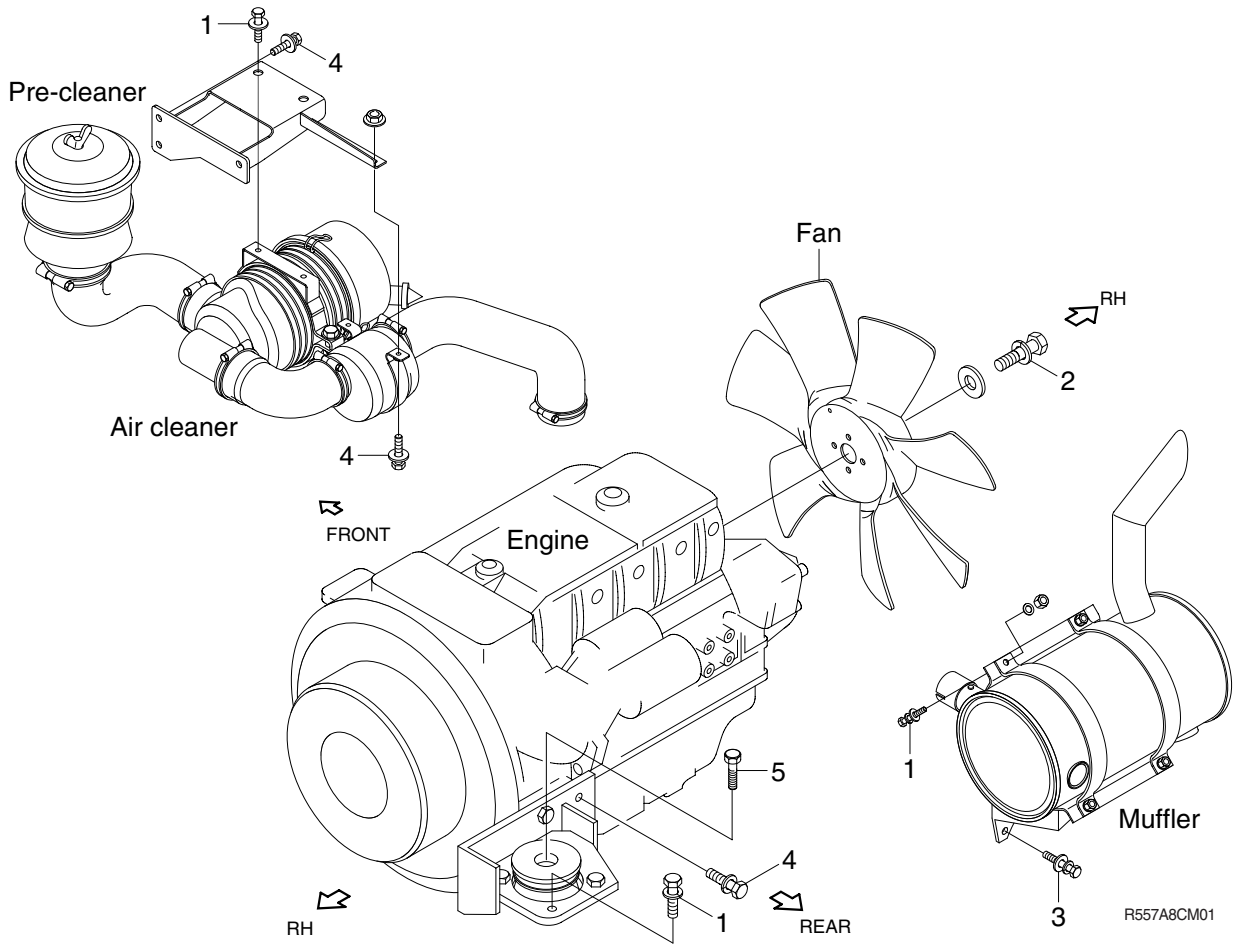


## GROUP 2 ENGINE SYSTEM

### 1. ENGINE AND ACCESSORIES MOUNTING

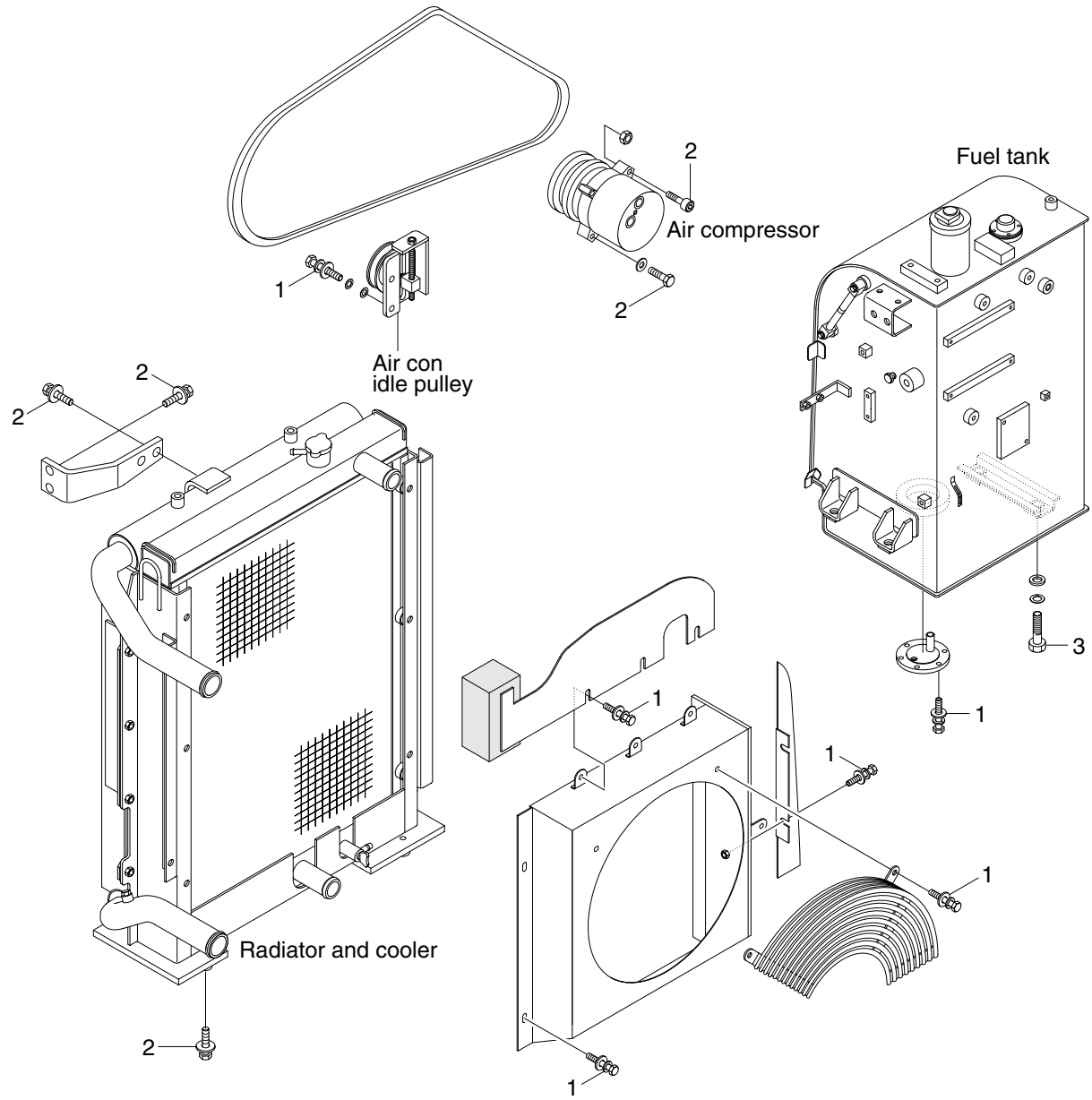


#### · Tightening torque

Item	Size	kgf · m	lbf · ft
1	M 8×1.25	2.5±0.5	18.1±3.6
2	M 8×1.25	3.0±0.5	21.7±3.6
3	M10×1.5	6.9±1.4	49.9±10.1

Item	Size	kgf · m	lbf · ft
4	M10×1.5	7.0±1.0	50.6±7.2
5	M16×2.0	8.0±1.0	57.9±7.2

## 2. COOLING SYSTEM AND FUEL TANK MOUNTING



R557A8CM02

### · Tightening torque

Item	Size	kgf · m	lbf · ft
1	M 8×1.25	2.5±0.5	18.1±3.6
2	M10×1.25	6.9±1.4	49.9±10.1

Item	Size	kgf · m	lbf · ft
3	M16×2.0	25±2.5	181±18.1