

GROUP 5 CONNECTORS

1. CONNECTOR DESTINATION

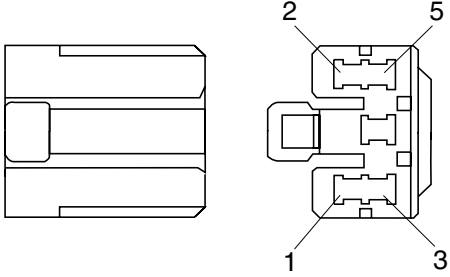
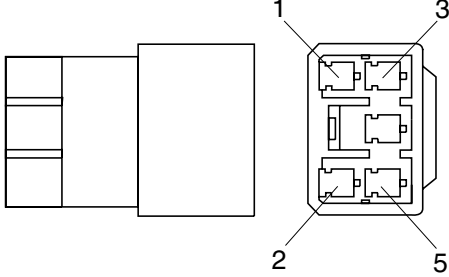
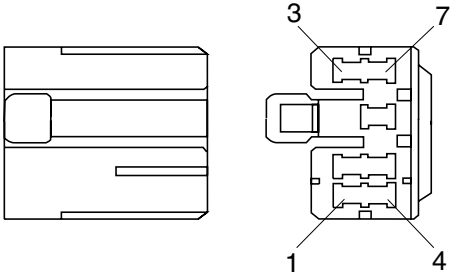
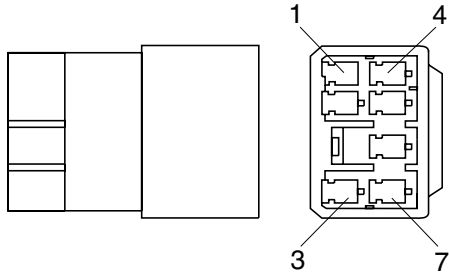
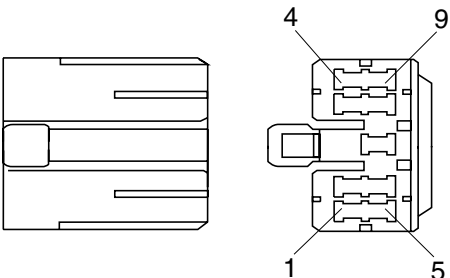
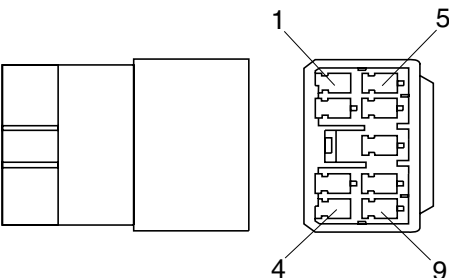
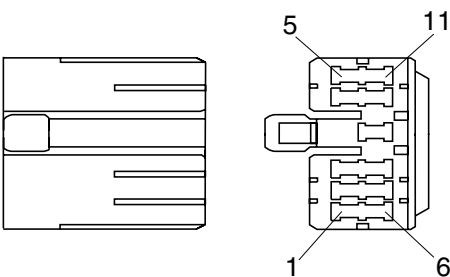
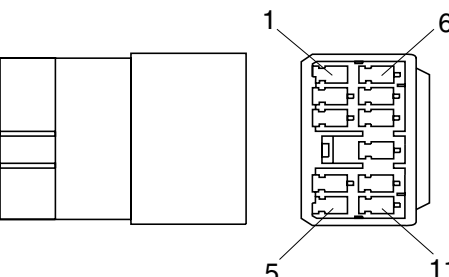
Connector number	Type	No. of pin	Destination	Connector part No.	
				Female	Male
CN-1	AMP	12	Cabin room harness	-	S816-112002
CN-2	AMP	16	Cabin room harness	368047-1	368050-1
CN-3	YAZAKI	2	-	S813-030201	S831-130201
CN-4	AMP	15	Cabin room harness	2-85262-1	368301-1
CN-5	AMP	15	Cabin room harness	2-85262-1	-
CN-6	DEUTSCH	4	Cabin harness	DT06-4S-EP06	DT04-4P-E005
CN-7	AMP	6	Console harness	S816-006002	S816-106002
CN-12	AMP	2	Boom harness	S816-002002	S816-102002
CN-20	MOLEX	2	Horn	35825-0211	-
CN-21	AMP	4	Wiper harness	180900-0	-
CN-22	KET	2	Washer tank	MG640605	-
CN-23	MOLEX	2	Speaker LH	MG610070	-
CN-24	MOLEX	2	Speaker RH	MG610070	-
CN-25	MOLEX	2	Horn	35825-0211	-
CN-27	AMP	14	Cassette radio	173852-1	-
CN-28	AMP	1	Air-con comp	S810-001202	-
CN-29	KET	2	Receiver dryer	MG640795	-
CN-31	AMP	2	Air-con harness	176146-2	-
CN-32	AMP	6	Air-con harness	-	S816-106002
CN-36	-	-	Fuse box	21L7-00250	-
CN-45	TERM	1	Starter	S820-305002	-
	TERM	1		S820-310002	-
CN-55	AMP	2	Travel alarm PS	S816-002002	S816-102002
CN-56	AMP	12	Cluster	174045-2	-
CN-57	AMP	16	Cluster	174046-2	-
CN-60	YAZAKI	2	Fusible link	-	7122-4125-50
CN-61	TERM	1	Fuel filler pump	S822-014000	-
	TERM	1		-	S822-114000
CN-66	DEUTSCH	2	Breaker solenoid	DT06-2S-EP06	-
CN-68	DEUTSCH	2	Safety solenoid	DT06-2S-EP06	-
CN-70	DEUTSCH	2	Travel HI-LO solenoid	DT06-2S-EP06	-
CN-74	KET	2	Alternator	MG640188-4	-
CN-80	AMP	1	Pre heater	S820-306002	-
CN-81	DEUTSCH	2	Travel buzzer	DT06-2S-EP06	DT04-2P-E005
CN-83	AMP	2	Air-con fan	176146-2	-
CN-93	FCI	48	ECU	991000443	
CN-95	YAZAKI	2	Fusible link	-	S813-130201
CN-125	DEUTSCH	2	Boom cut-off	DT06-2S-EP06	-

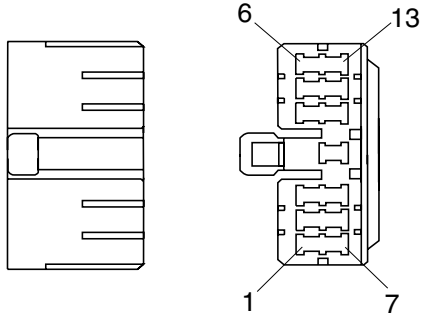
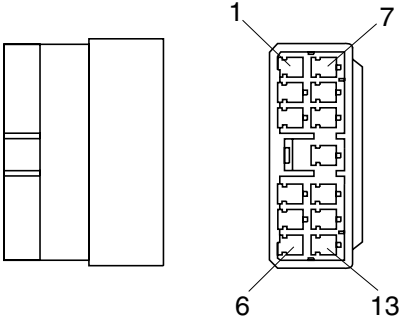
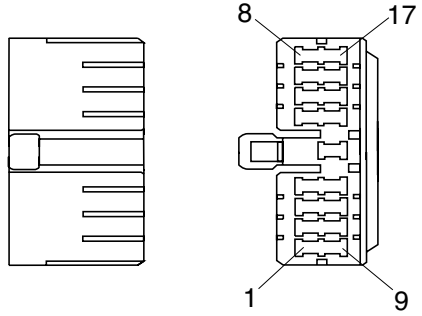
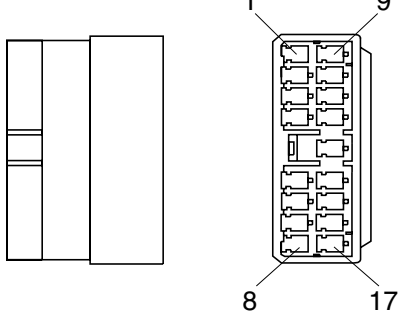
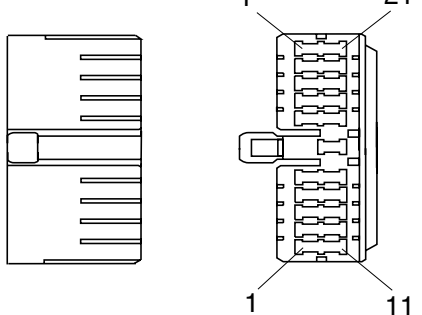
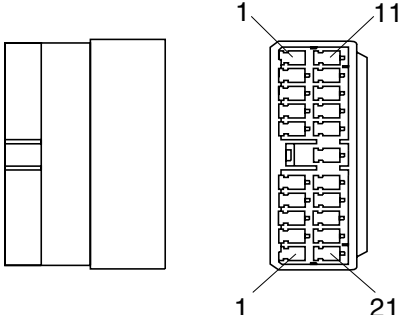
Connector number	Type	No. of pin	Destination	Connector part No.	
				Female	Male
CN-139	AMP	2	12V socket	S810-002202	-
CN-140	DEUTSCH	2	Quick coupler	DT06-2S-EP06	DT04-2P-E005
CN-142	DEUTSCH	6	Accel dial	DT06-3S-EP06	-
CN-145	KET	2	Fuel feed pump	7123-6423-30	-
CN-148	DEUTSCH	6	J1939	DT06-6S-EP06	-
CN-170	AMP	2	Seat heat switch	S810-002202	-
CN-193	SUMITOMO	6	EGR step motor	6195-0021	-
CN-194	YAZAKI	6	RACK actuator	7283-8850-30	-
LAMP					
CL-1	KET	2	Room lamp	MG610392	-
CL-2	AMP	3	Cigar light	S810-003202	-
CL-3	DEUTSCH	2	Head lamp	-	DT04-2P-E005
CL-4	DEUTSCH	2	Head lamp	-	DT04-2P-E005
CL-5	DEUTSCH	2	Work lamp	-	DT04-2P-E004
CL-7	-	1	Beacon lamp	-	S822-114000
	-	1		S822-014000	-
CL-9	-	1	Cabin lamp	-	S822-114000
	-	1		S822-014000	-
RELAY					
CR-1	AMP	2	Battery relay	-	S816-102002
CR-2	AMP	4	Horn relay	S810-004002	-
CR-5	AMP	4	Anti-restart relay	S810-004002	-
CR-6	AMP	6	Int wiper relay	S810-006002	-
CR-12	AMP	4	Travel relay	S810-004002	-
CR-23	KET	2	Start relay	S814-002001	-
CR-24	KET	2	Air heater relay	S814-002001	-
CR-33	AMP	4	Air-con fan relay	S810-004002	-
CR-36	AMP	4	Pre-heater relay	S810-004002	-
CR-67	SUMITOMO	6	RACK actuator	6020-6161	-
CR-68	SUMITOMO	6	ECU main power	6020-6161	-
SENDER					
CD-1	-	2	Hydraulic temp sender	85202-1	-
CD-2	AMP	2	Fuel sender	-	S816-102002
CD-8	AMP	2	Water temp sender	1-178390-4	-
CD-10	KET	1	Air cleaner	ST10285-2	-
CD-11	-	2	Travel pressure switch	21EA-00310	-
CD-12	-	2	Travel pressure switch	21EA-00310	-
CD-13	-	2	Travel pressure switch	21EA-00310	-
CD-14	-	2	Travel pressure switch	21EA-00310	-
CD-17	SUMITOMO	2	Tacho sensor	6189-0552	-
CD-18	AMP	1	Engine oil pressure	171809-2	-
CD-30	AMP	2	Water temp	85202-1	-

Connector number	Type	No. of pin	Destination	Connector part No.	
				Female	Male
CD-62	YAZAKI	1	CSD	7323-7414-40	-
DO-1	-	2	Diode	21EA-5055	-
DO-10	-	2	Diode	21EA-5055	-
SWITCH					
CS-2	KET	6	Start key switch	S814-006000	-
CS-3	SWF	10	Wiper switch	593757	-
CS-4	AMP	3	Safety switch	S816-003002	-
CS-5	-	1	Horn-LH switch	S822-014000	-
	-	1		-	S822-114000
CS-16	SWF	10	Travel alarm switch	593757	-
CS-21	SWF	10	Light switch	593757	-
CS-23	SWF	10	Beacon lamp switch	593757	-
CS-26	-	1	Breaker switch	S822-014000	-
	-	1		-	S822-114000
CS-27	SWF	10	Breaker switch	593757	-
CS-30	SWF	10	Wiper washer switch	593757	-
CS-54	SWF	10	Air-con switch	593757	-
CS-67	SWF	10	Quick coupler switch	593757	-
CS-74	KET	2	Master switch	S813-030201	-
CS-82	SWF	10	Seat heat switch	593757	-

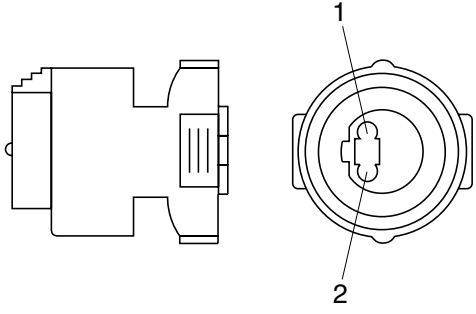
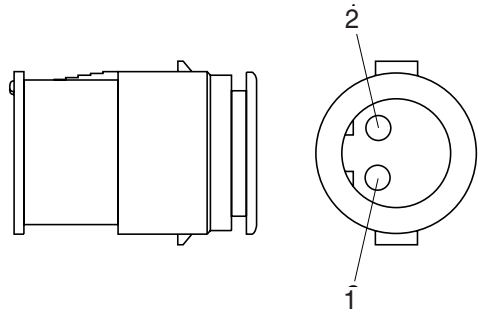
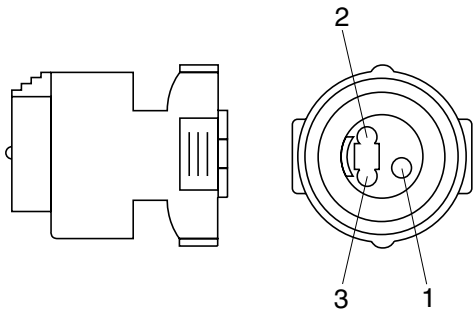
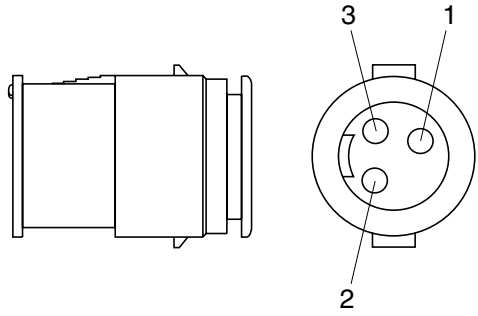
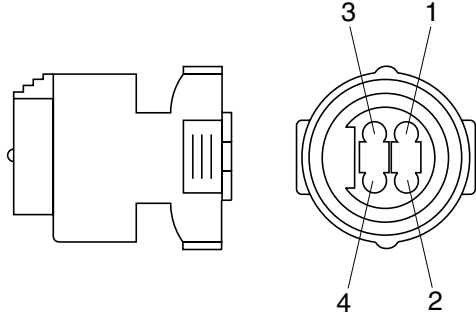
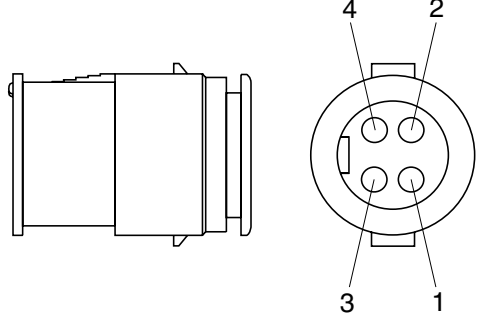
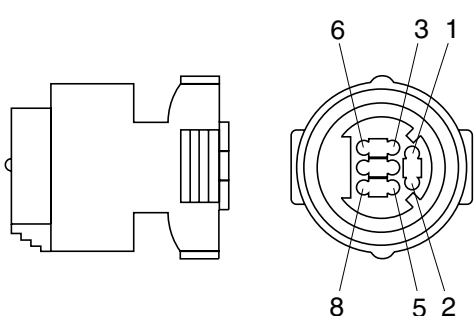
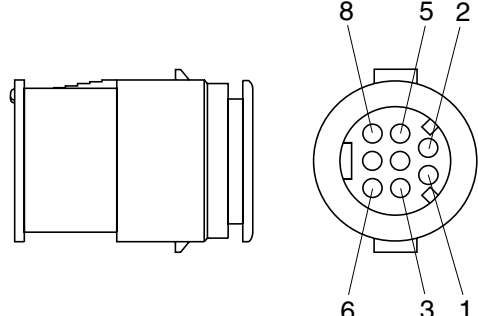
2. CONNECTION TABLE FOR CONNECTORS

1) PA TYPE CONNECTOR

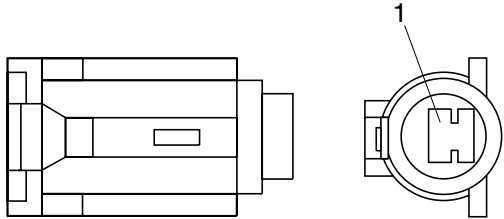
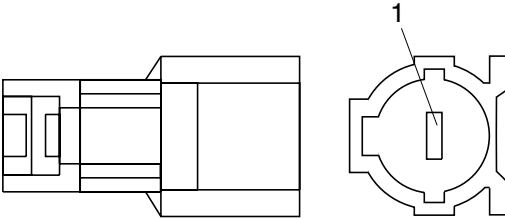
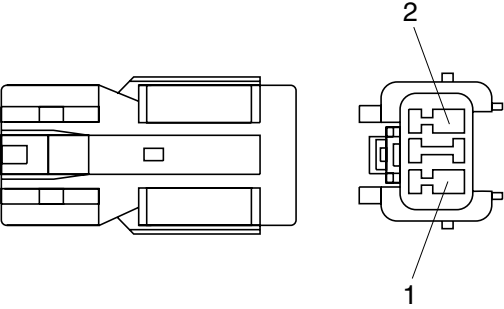
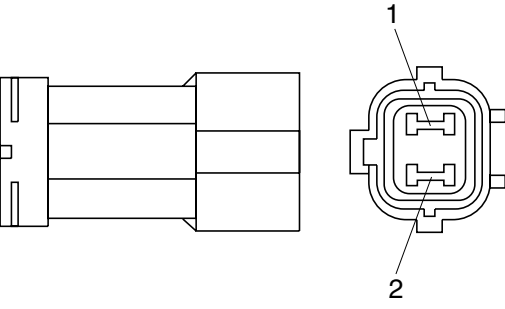
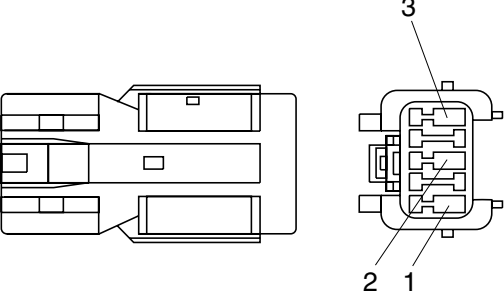
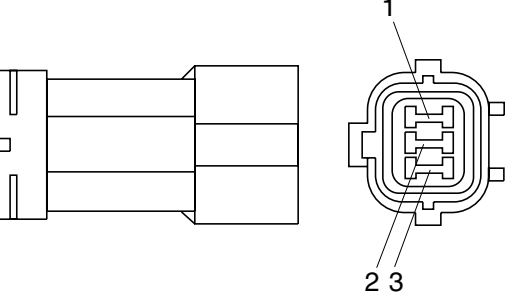
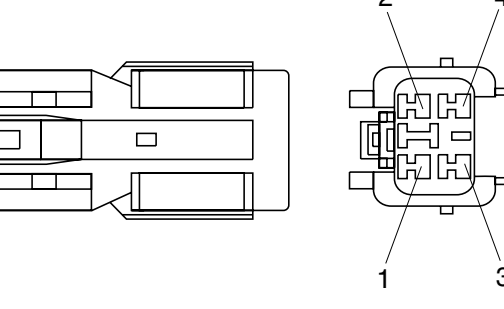
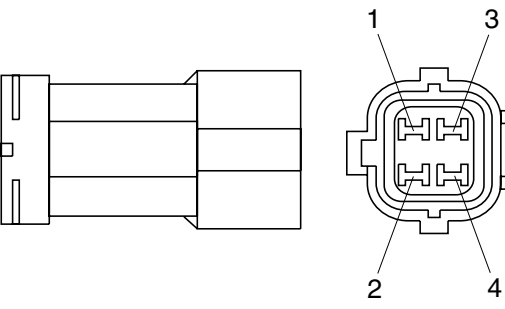
No. of pin	Connector(Female)	Connector(Male)
5	 <p style="text-align: center;">S811-005002</p>	 <p style="text-align: center;">S811-105002</p>
7	 <p style="text-align: center;">S811-007002</p>	 <p style="text-align: center;">S811-107002</p>
9	 <p style="text-align: center;">S811-009002</p>	 <p style="text-align: center;">S811-109002</p>
11	 <p style="text-align: center;">S811-011002</p>	 <p style="text-align: center;">S811-111002</p>

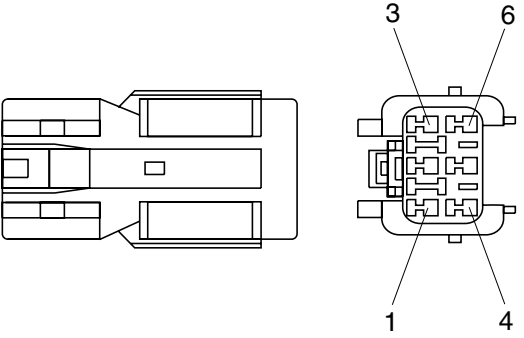
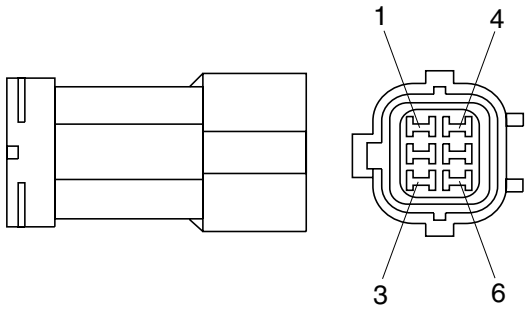
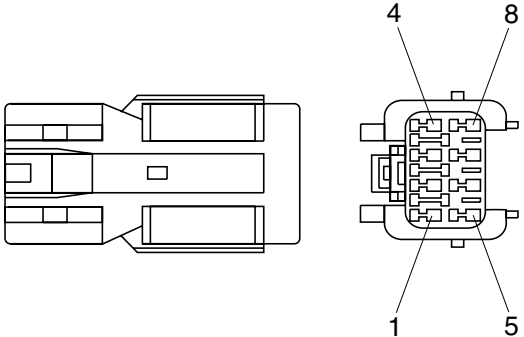
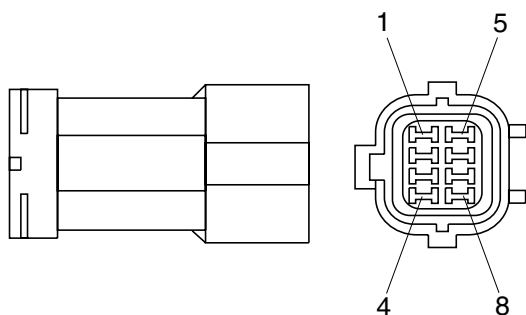
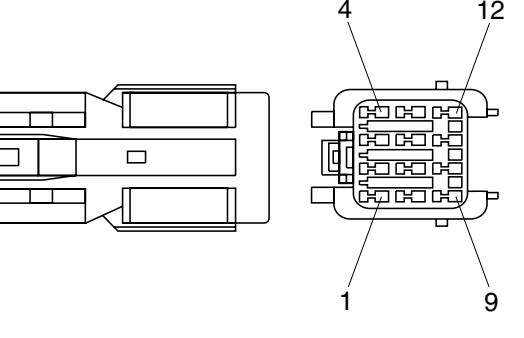
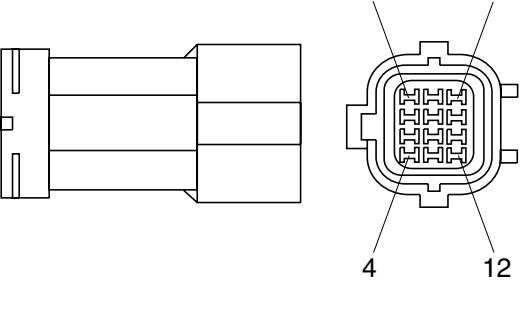
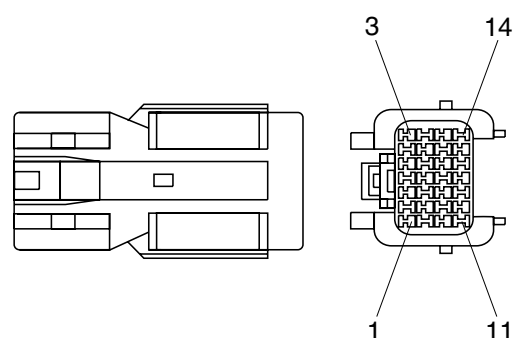
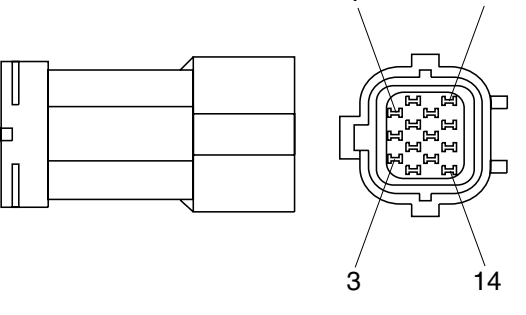
No. of pin	Connector(Female)	Connector(Male)
13	 <p style="text-align: center;">S811-013002</p>	 <p style="text-align: center;">S811-113002</p>
17	 <p style="text-align: center;">S811-017002</p>	 <p style="text-align: center;">S811-117002</p>
21	 <p style="text-align: center;">S811-021002</p>	 <p style="text-align: center;">S811-121002</p>

2) J TYPE CONNECTOR

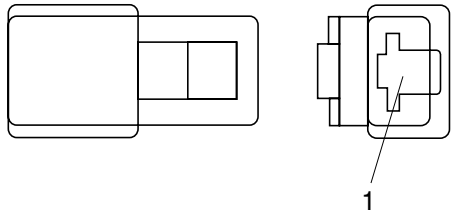
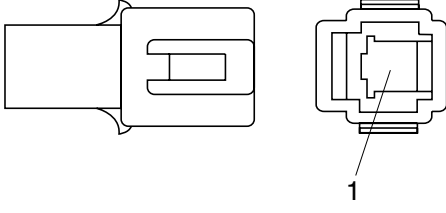
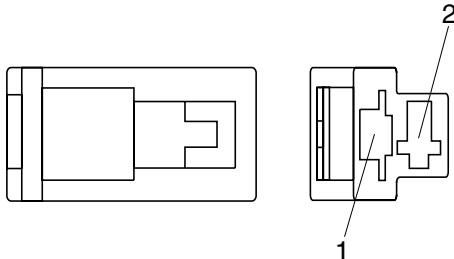
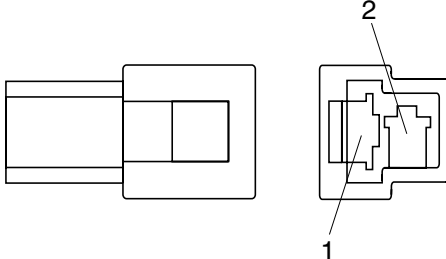
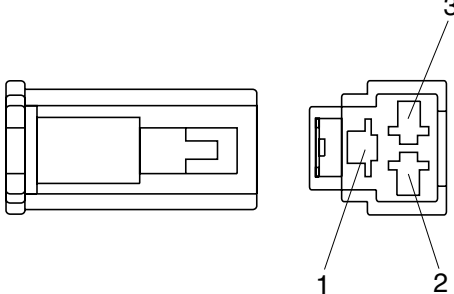
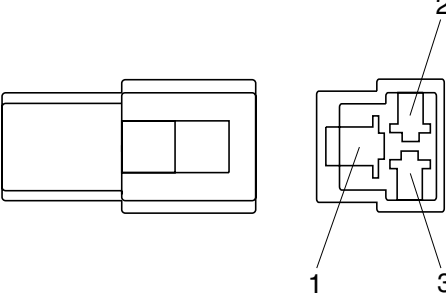
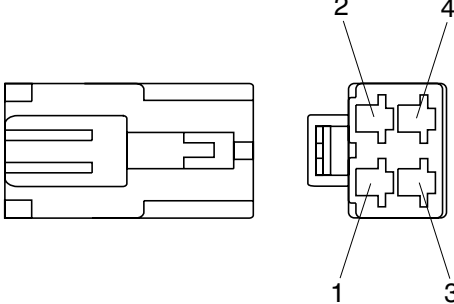
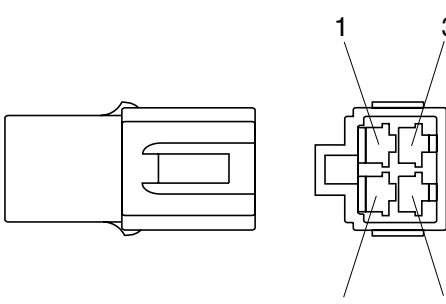
No. of pin	Connector(Female)	Connector(Male)
2	 <p style="text-align: center;">S816-002001</p>	 <p style="text-align: center;">S816-102001</p>
3	 <p style="text-align: center;">S816-003001</p>	 <p style="text-align: center;">S816-103001</p>
4	 <p style="text-align: center;">S816-004001</p>	 <p style="text-align: center;">S816-104001</p>
8	 <p style="text-align: center;">S816-008001</p>	 <p style="text-align: center;">S816-108001</p>

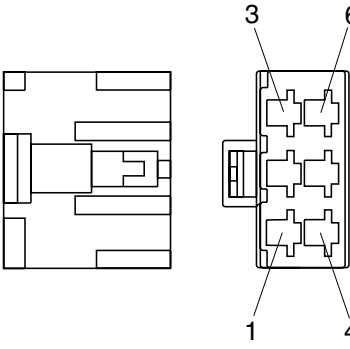
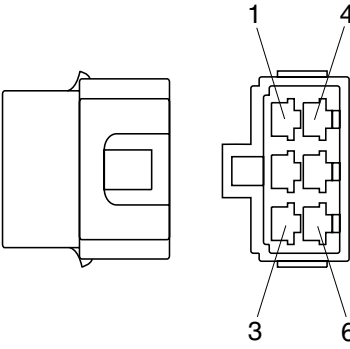
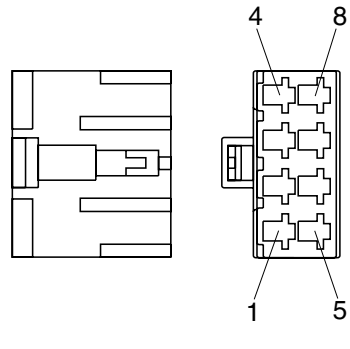
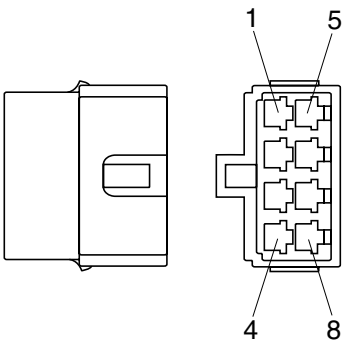
3) SWP TYPE CONNECTOR

No. of pin	Connector(Female)	Connector(Male)
1	 <p data-bbox="689 674 837 703">S814-001000</p>	 <p data-bbox="1246 674 1394 703">S814-101000</p>
2	 <p data-bbox="689 1077 837 1106">S814-002000</p>	 <p data-bbox="1246 1077 1394 1106">S814-102000</p>
3	 <p data-bbox="689 1487 837 1516">S814-003000</p>	 <p data-bbox="1246 1487 1394 1516">S814-103000</p>
4	 <p data-bbox="689 1897 837 1926">S814-004000</p>	 <p data-bbox="1246 1897 1394 1926">S814-104000</p>

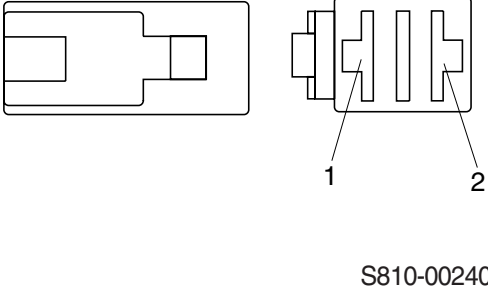
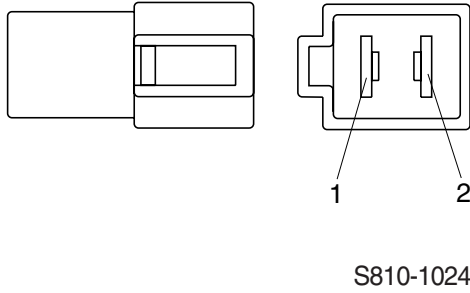
No. of pin	Connector(Female)	Connector(Male)
6	 <p data-bbox="686 627 837 660">S814-006000</p>	 <p data-bbox="1244 627 1396 660">S814-106000</p>
8	 <p data-bbox="686 1030 837 1064">S814-008000</p>	 <p data-bbox="1244 1030 1396 1064">S814-108000</p>
12	 <p data-bbox="686 1433 837 1467">S814-012000</p>	 <p data-bbox="1244 1433 1396 1467">S814-112000</p>
14	 <p data-bbox="686 1836 837 1870">S814-014000</p>	 <p data-bbox="1244 1836 1396 1870">S814-114000</p>

4) CN TYPE CONNECTOR

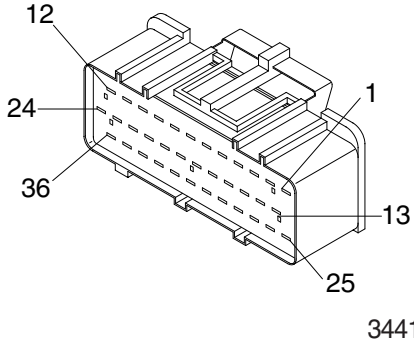
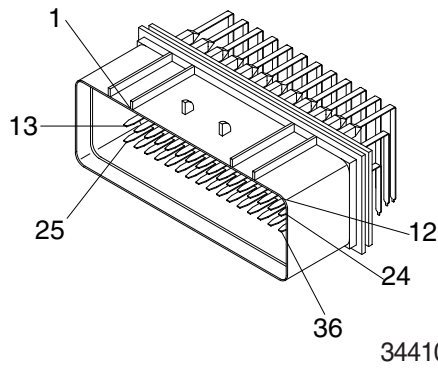
No. of pin	Connector(Female)	Connector(Male)
1	 <p style="text-align: center;">S810-001202</p>	 <p style="text-align: center;">S810-101202</p>
2	 <p style="text-align: center;">S810-002202</p>	 <p style="text-align: center;">S810-102202</p>
3	 <p style="text-align: center;">S810-003202</p>	 <p style="text-align: center;">S810-103202</p>
4	 <p style="text-align: center;">S810-004202</p>	 <p style="text-align: center;">S810-104202</p>

No. of pin	Connector(Female)	Connector(Male)
6	 <p data-bbox="686 627 837 660">S810-006202</p>	 <p data-bbox="1244 627 1396 660">S810-106202</p>
8	 <p data-bbox="686 1041 837 1075">S810-008202</p>	 <p data-bbox="1244 1041 1396 1075">S810-108202</p>

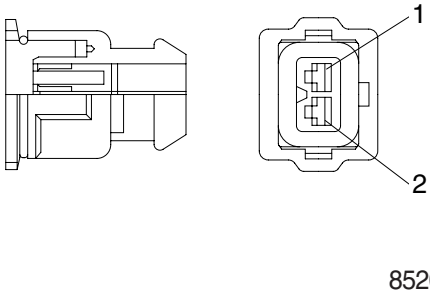
5) 375 FASTEN TYPE CONNECTOR

No. of pin	Connector(Female)	Connector(Male)
2	 <p style="text-align: center;">S810-002402</p>	 <p style="text-align: center;">S810-102402</p>

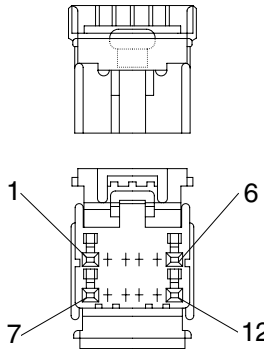
6) AMP ECONOSEAL CONNECTOR

No. of pin	Connector(Female)	Connector(Male)
36	 <p style="text-align: center;">344111-1</p>	 <p style="text-align: center;">344108-1</p>

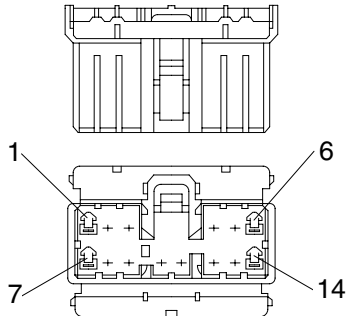
7) AMP TIMER CONNECTOR

No. of pin	Connector(Female)	Connector(Male)
2	 <p style="text-align: center;">85202-1</p>	

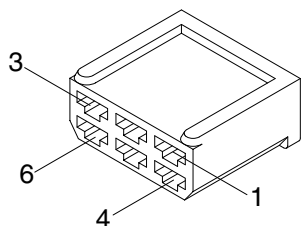
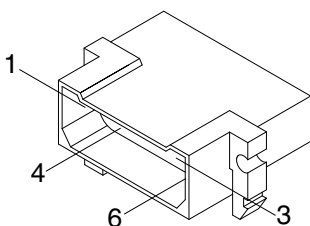
8) AMP 040 MULTILOCK CONNECTOR

No. of pin	Connector(Female)	Connector(Male)
12	 <p style="text-align: right;">174045-2</p>	

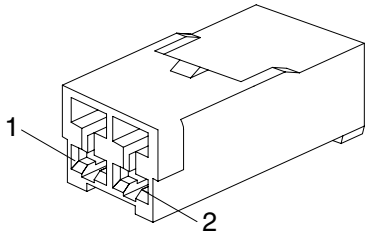
9) AMP 070 MULTILOCK CONNECTOR

No. of pin	Connector(Female)	Connector(Male)
14	 <p style="text-align: right;">173852</p>	

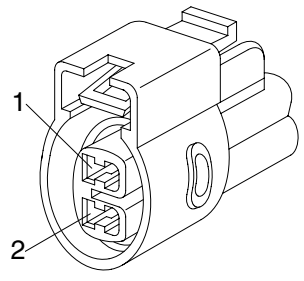
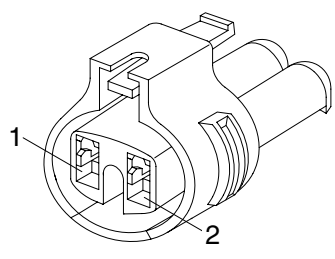
10) AMP FASTIN - FASTON CONNECTOR

No. of pin	Connector(Female)	Connector(Male)
6	 <p style="text-align: right;">925276-0</p>	 <p style="text-align: right;">480003-9</p>

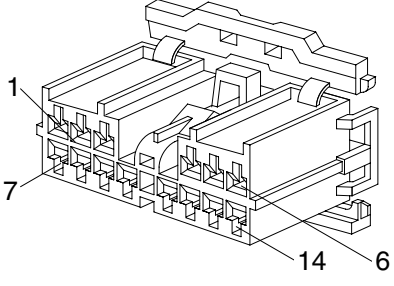
11) KET 090 CONNECTOR

No. of pin	Connector(Female)	Connector(Male)
2	 <p style="text-align: right;">MG610070</p>	

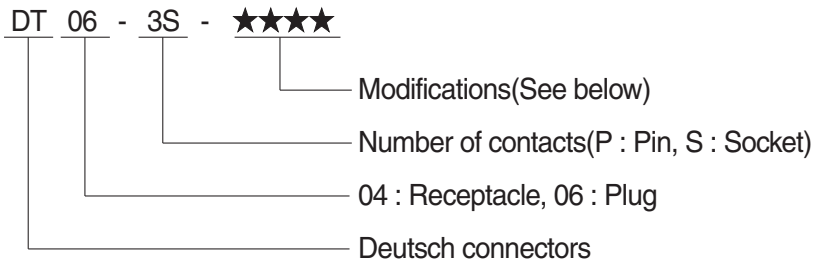
12) KET 090 WP CONNECTORS

No. of pin	Connector(Female)	Connector(Male)
2	 <p style="text-align: right;">MG640605</p>	
2	 <p style="text-align: right;">MG640795</p>	

13) KET SDL CONNECTOR

No. of pin	Connector(Female)	Connector(Male)
14	 <p data-bbox="715 678 837 707">MG610406</p>	

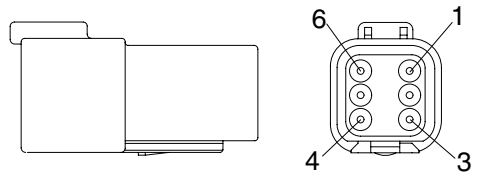
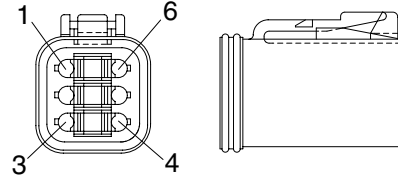
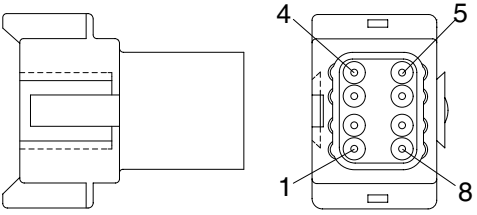
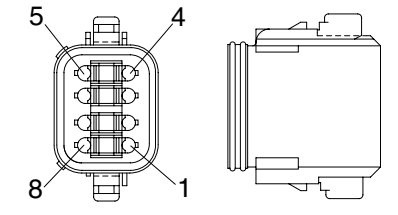
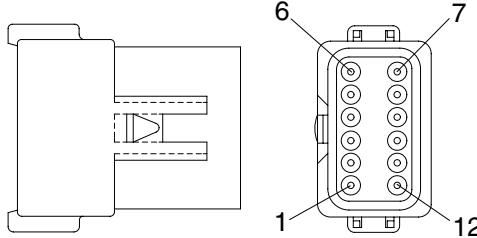
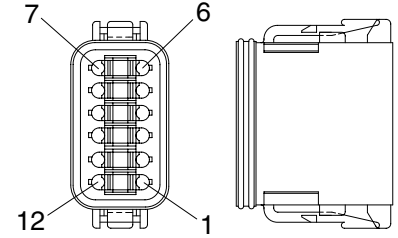
14) DEUTSCH DT CONNECTORS



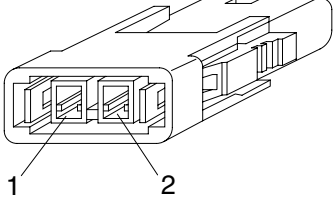
※ Modification

- E003 : Standard end cap - gray
- E004 : Color of connector to be black
- E005 : Combination - E004 & E003
- EP04 : End cap
- EP06 : Combination P012 & EP04
- P012 : Front seal enhancement - connectors color to black for 2, 3, 4 & 6pin

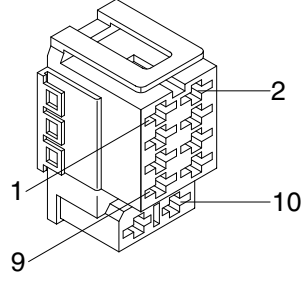
No. of pin	Connector(Female)	Connector(Male)
2	<p style="text-align: center;">DT06-2S</p>	<p style="text-align: center;">DT06-2P</p>
3	<p style="text-align: center;">DT06-3S</p>	<p style="text-align: center;">DT06-3P</p>
4	<p style="text-align: center;">DT06-4S</p>	<p style="text-align: center;">DT06-4P</p>

No. of pin	Connector(Female)	Connector(Male)
6	 <p style="text-align: right;">DT06-6S</p>	 <p style="text-align: right;">DT06-6P</p>
8	 <p style="text-align: right;">DT06-8S</p>	 <p style="text-align: right;">DT06-8P</p>
12	 <p style="text-align: right;">DT06-12S</p>	 <p style="text-align: right;">DT06-12P</p>

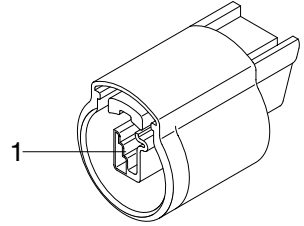
15) MOLEX 2CKTS CONNECTOR

No. of pin	Connector(Female)	Connector(Male)
2	 <p style="text-align: right;">35215-0200</p>	

16) ITT SWF CONNECTOR

No. of pin	Connector(Female)	Connector(Male)
10	 <p style="text-align: right;">SWF593757</p>	

17) MWP NMWP CONNECTOR

No. of pin	Connector(Female)	Connector(Male)
1	 <p style="text-align: right;">NMWP01F-B</p>	