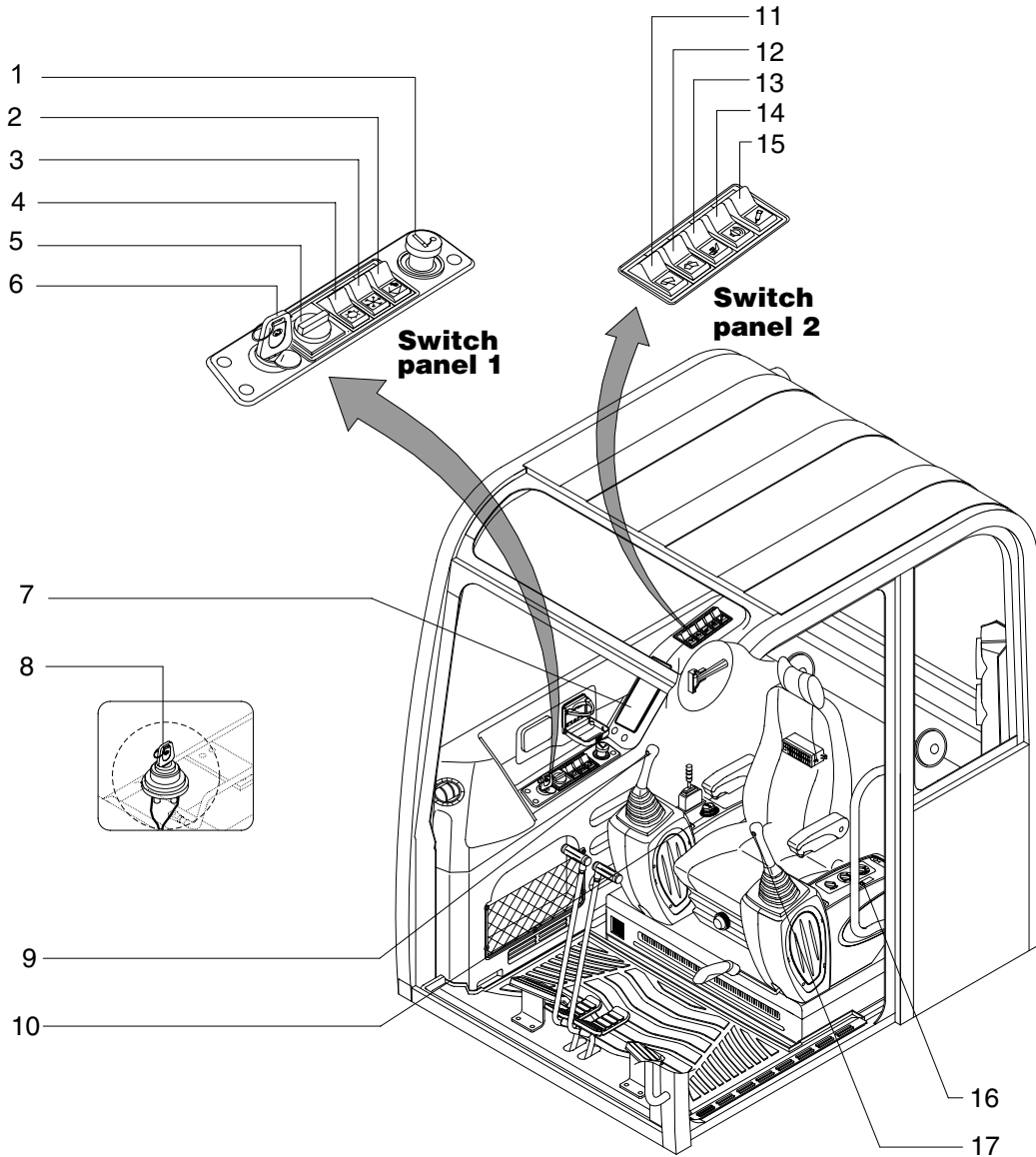


SECTION 4 ELECTRICAL SYSTEM

GROUP 1 COMPONENT LOCATION

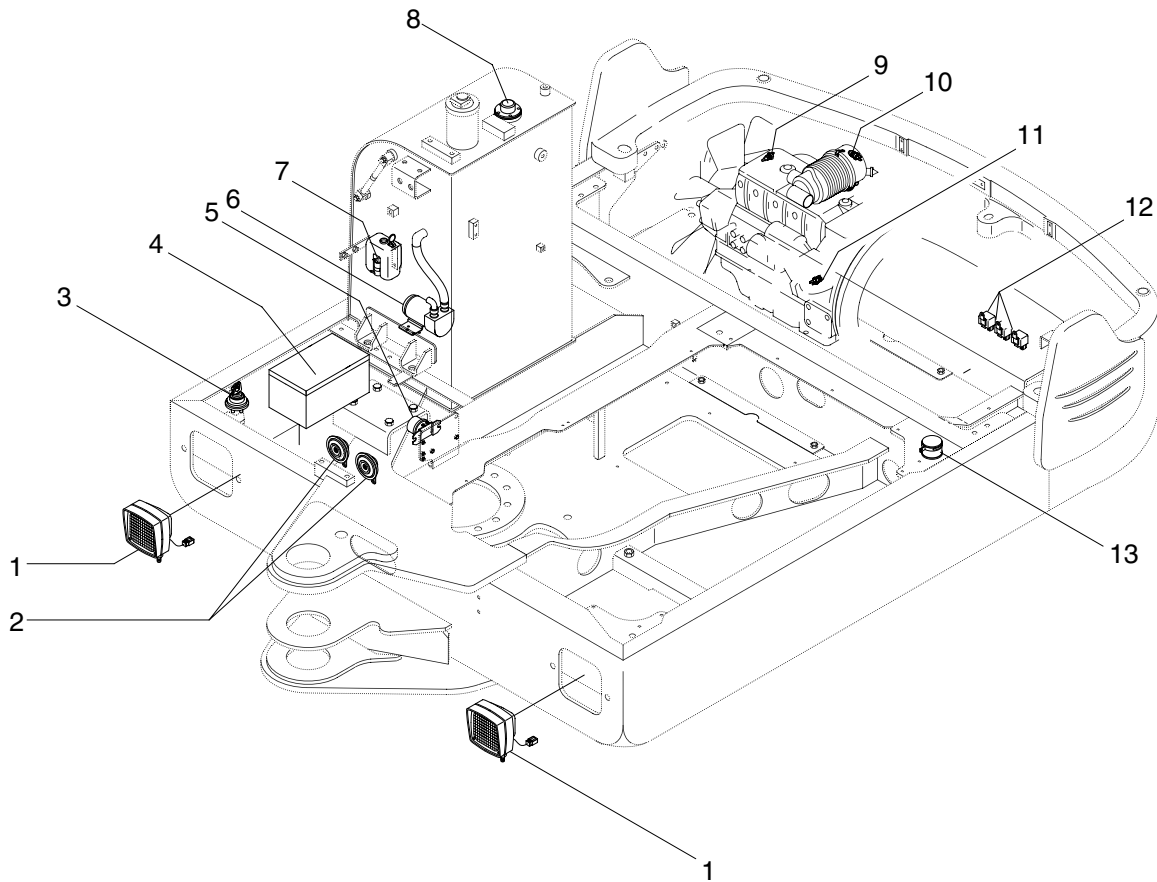
1. LOCATION 1



R557A4EL02

- | | | |
|------------------------|----------------------------|-----------------------------|
| 1 Cigar light | 7 Cassette & radio | 13 Seat heat switch |
| 2 Quick coupler switch | 8 Master switch | 14 Travel alarm switch |
| 3 Aircon switch | 9 Breaker operation switch | 15 Breaker selection switch |
| 4 Main light switch | 10 12V socket | 16 Beacon switch |
| 5 Accel dial switch | 11 Wiper switch | 17 Horn switch |
| 6 Start switch | 12 Washer switch | |

2. LOCATION 2



R557A4EL03

- | | | | | | |
|---|---------------|---|--------------------|----|-----------------------------|
| 1 | Lamp | 6 | Fuel filler pump | 10 | Air clearer pressure switch |
| 2 | Horn | 7 | Washer pump | 11 | Engine oil pressure switch |
| 3 | Master switch | 8 | Fuel sender | 12 | Relays |
| 4 | Battery | 9 | Temperature sender | 13 | Travel alarm buzzer |
| 5 | Battery relay | | | | |