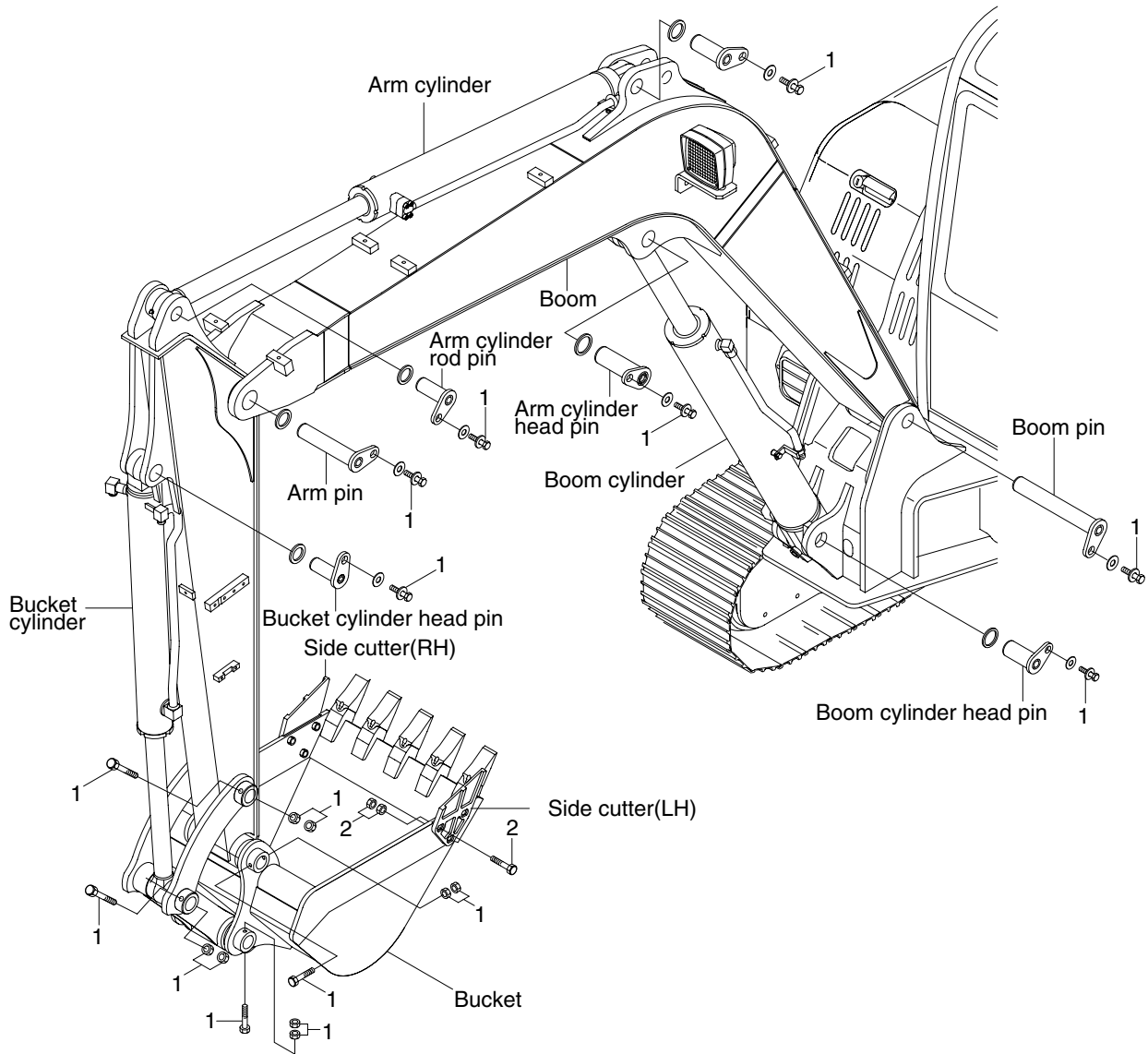


GROUP 7 WORK EQUIPMENT



R5578CM11

• Tightening torque

Item	Size	kgf · m	lbf · ft
1	M12×1.75	12.8±3.0	92.6±21.7

Item	Size	kgf · m	lbf · ft
2	M16×2.0	29.7±4.5	215±32.5