

GROUP 5 CONNECTORS

1. CONNECTOR DESTINATION

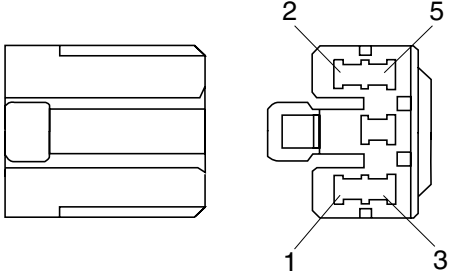
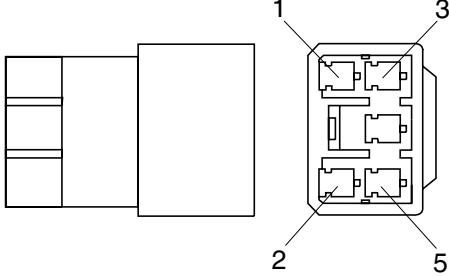
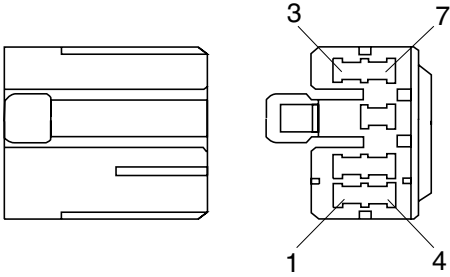
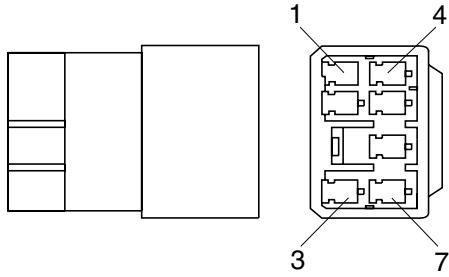
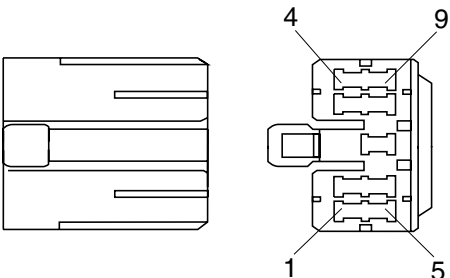
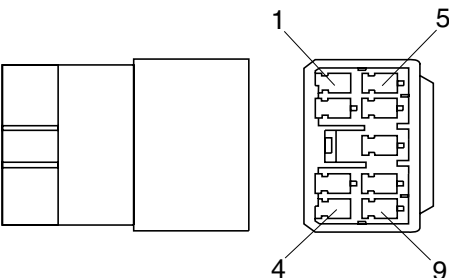
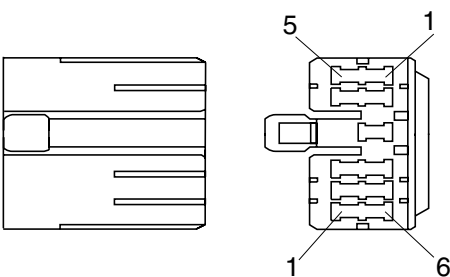
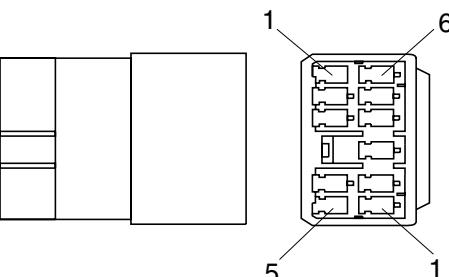
Connector number	Type	No. of pin	Destination	Connector part No.	
				Female	Male
CN-1	AMP	6	Cabin room harness	S816-006002	S816-106002
CN-2	-	15	Cabin room harness	2-85262-1	368301-1
CN-3	-	2	-	S813-030201	S831-130201
CN-4	AMP	8	Cabin room harness	S816-005002	S816-108002
CN-5	AMP	12	Cabin room harness	S816-012002	S816-112002
CN-6	AMP	3	Cabin harness	S816-003002	S816-103002
CN-7	AMP	6	Console harness	S816-006002	S816-106002
CN-12	AMP	2	Boom harness	S816-002002	S816-02002
CN-20	-	2	Horn	35825-0211	-
CN-21	AMP	4	Wiper harness	180900-0	-
CN-22	KET	2	Washer tank	MG640605	-
CN-23	KET	2	Speaker LH	MG610070	-
CN-24	KET	2	Speaker RH	MG610070	-
CN-25	-	2	Horn	35825-0211	-
CN-27	-	14	Cassette radio	173852-1	-
CN-28	-	1	Air-con comp	NMWP01F-B	-
CN-29	KET	2	Receiver dryer	MG640795	-
CN-31	-	2	Air-con harness	176146-2	-
CN-32	AMP	6	Air-con harness	-	S816-106002
CN-36	-	-	Fuse box	21L7-00250	-
CN-45	TERM	1	Starter	S820-305002	-
	TERM	1		S820-310002	-
CN-55	AMP	2	Travel alarm PS	S816-002002	S816-102002
CN-56	AMP	12	Cluster	174045-2	-
CN-57	AMP	16	Cluster	174046-2	-
CN-60	-	2	Fusible link	-	7122-4125-50
CN-61	TERM	1	Fuel filler pump	S822-014000	-
	TERM	1		-	S822-114000
CN-66	DEUTSCH	2	Breaker solenoid	DT06-2S-P012	-
CN-68	DEUTSCH	2	Safety solenoid	DT06-2S-P012	-
CN-70	DEUTSCH	2	Travel HI-LO solenoid	DT06-2S-P012	-
CN-74	SUMITOMO	3	Alternator	6189-0443	-
CN-79	SWP	3	Fuel cut-off solenoid	S813-060300	-
CN-80	AMP	1	Pre heater	S820-306002	-
CN-81	SWP	1	Travel buzzer	S822-014000	-
CN-83	-	2	Air-con fan	176146-2	-
CN-95	-	2	Fusible link	-	S813-130200
CN-125	DEUTSCH	2	Boom cut-off	DT06-2S-P012	-

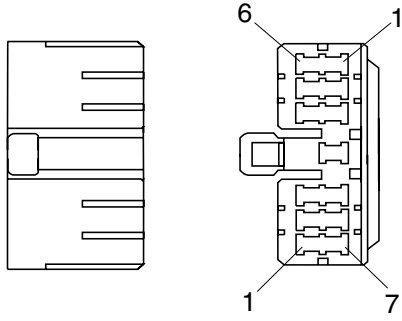
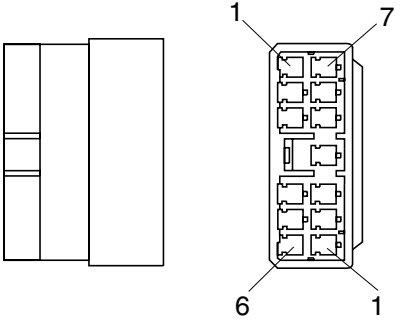
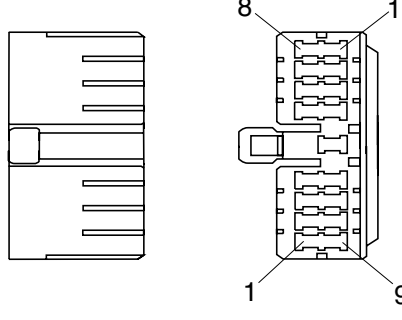
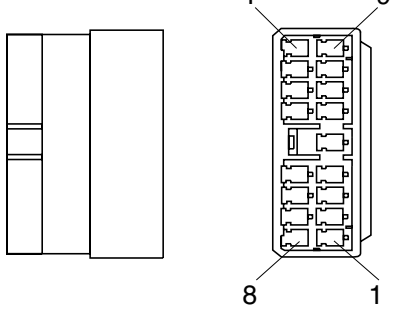
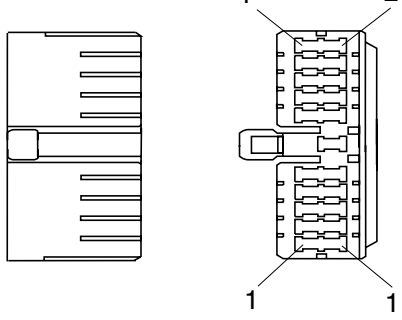
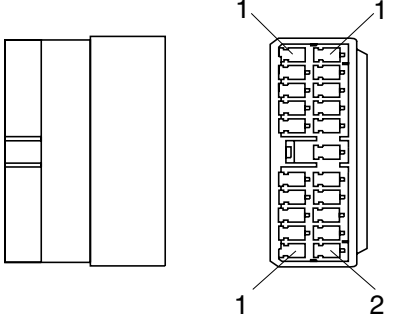
Connector number	Type	No. of pin	Destination	Connector part No.	
				Female	Male
CN-139	AMP	2	12V socket	S810-002202	-
CN-140	DEUTSCH	2	Quick coupler	DT06-2S-P012	DT04-2P-E004
CN-145	-	2	Fuel feed pump	7123-6423-30	-
LAMP					
CL-1	KET	2	Room lamp	MG610392	-
CL-2	AMP	3	Cigar light	S810-003202	-
CL-3	DEUTSCH	2	Head lamp	-	DT04-2P-E004
CL-4	DEUTSCH	2	Head lamp	-	DT04-2P-E004
CL-5	DEUTSCH	2	Work lamp	-	DT04-2P-E004
CL-7	-	1	Beacon lamp	-	S822-114000
	-	1		S822-014000	-
RELAY					
CR-1	AMP	2	Battery relay	-	S816-102002
CR-2	AMP	4	Horn relay	S810-004002	-
CR-5	AMP	4	Anti-restart relay	S810-004002	-
CR-12	AMP	4	Travel relay	S810-004002	-
CR-23	-	2	Start relay	S814-002001	-
CR-24	-	2	Air heater relay	S814-002001	-
CR-33	AMP	4	Air-con fan relay	S810-004002	-
CR-36	AMP	4	Pre-heater relay	S810-004002	-
CR-47	-	2	Fuel cut-off relay	S814-002001	-
CR-50	KET	4	Timer relay	MG610047-5	-
SENDER					
CD-1	-	2	Hydraulic temp sender	85202-1	-
CD-2	AMP	2	Fuel sender	-	S816-102002
CD-5	-	2	Diode	21EA-50570	-
CD-8	-	2	Water temp sender	85202-1	-
CD-10	-	1	Air cleaner	GP890469	-
CD-11	-	2	Travel pressure switch	21EA-00310	-
CD-12	-	2	Travel pressure switch	21EA-00310	-
CD-13	-	2	Travel pressure switch	21EA-00310	-
CD-14	-	2	Travel pressure switch	21EA-00310	-
CD-18	-	1	Engine oil pressure	S814-001001	-
DO-3	-	2	Diode	21EA-50570	-
DO-4	-	2	Diode	21EA-50570	-
SWITCH					
CS-2	-	6	Start key switch	S814-006000	-
CS-3	SWF	10	Wiper switch	593757	-
CS-4	AMP	3	Safety switch	S816-003002	-
CS-5	-	1	Horn-LH switch	S822-014000	-
	-	1		-	S822-114000

Connector number	Type	No. of pin	Destination	Connector part No.	
				Female	Male
CS-16	SWF	10	Travel alarm switch	593757	-
CS-21	SWF	10	Light switch	593757	-
CS-23	SWF	10	Beacon lamp switch	593757	-
CS-26	-	1	Breaker switch	S822-014000	-
	-	1		-	S822-114000
CS-27	SWF	10	Breaker switch	593757	-
CS-54	SWF	10	Air-con switch	593757	-
CS-67	SWF	10	Quick coupler switch	593757	-

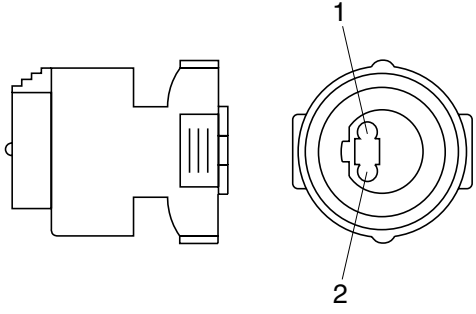
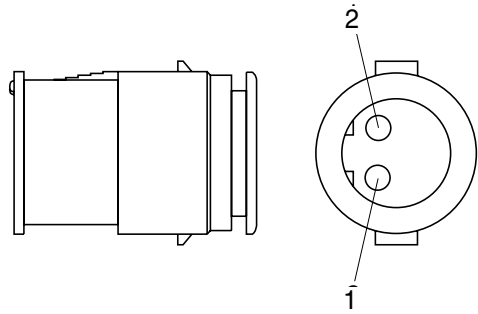
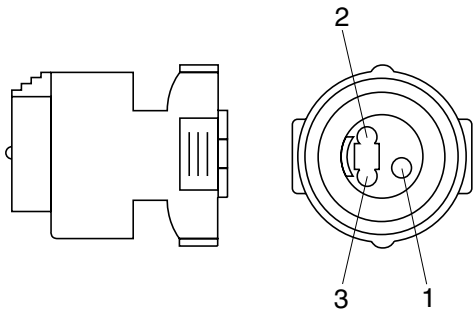
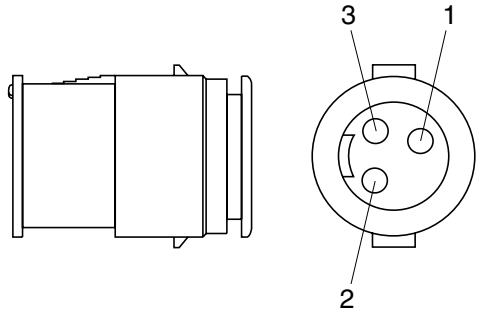
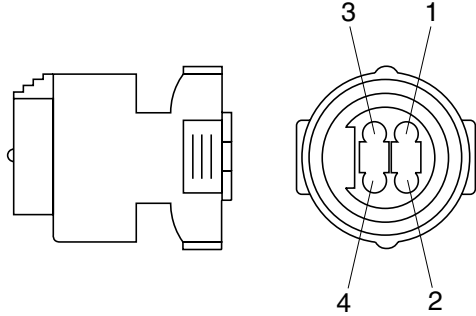
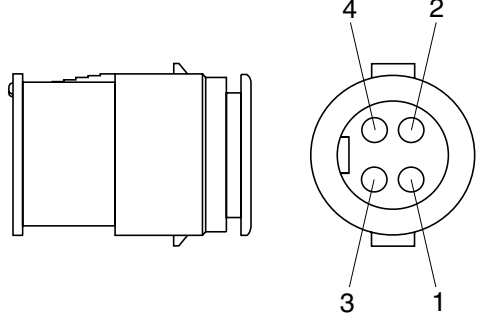
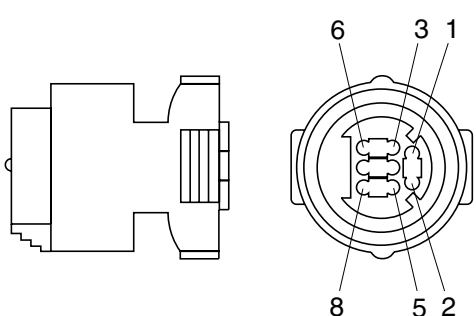
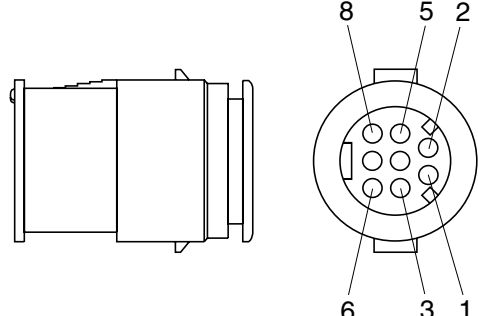
2. CONNECTION TABLE FOR CONNECTORS

1) PA TYPE CONNECTOR

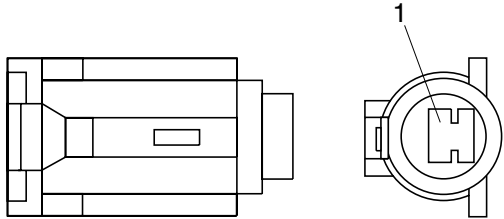
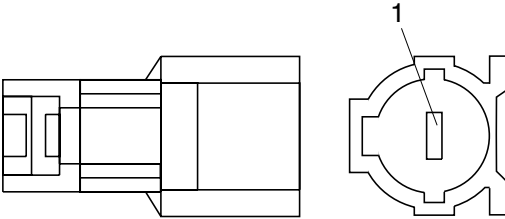
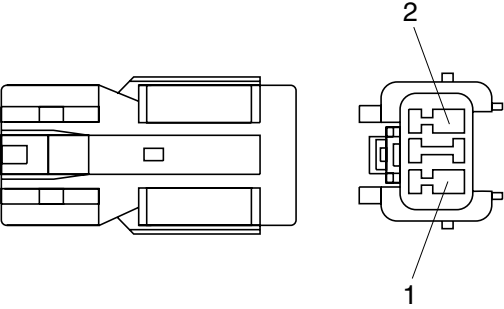
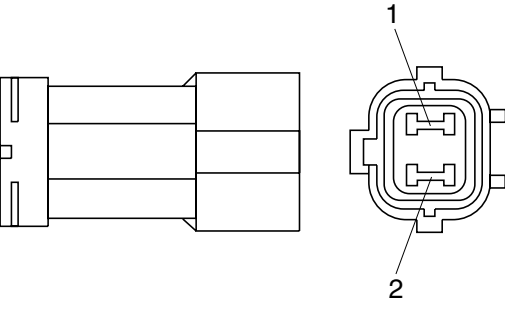
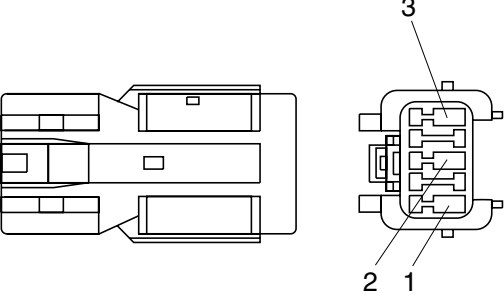
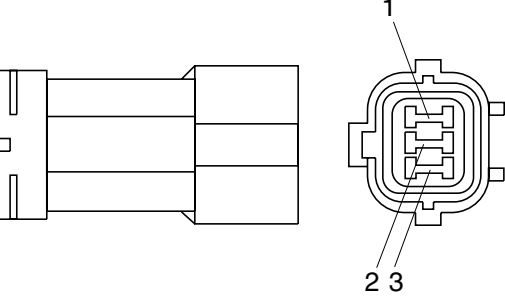
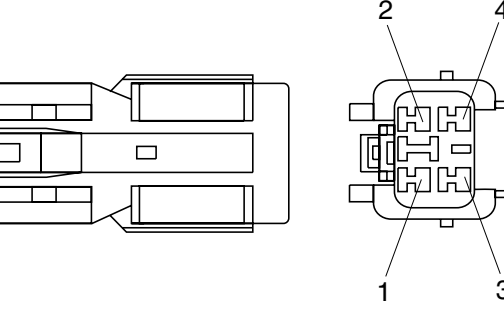
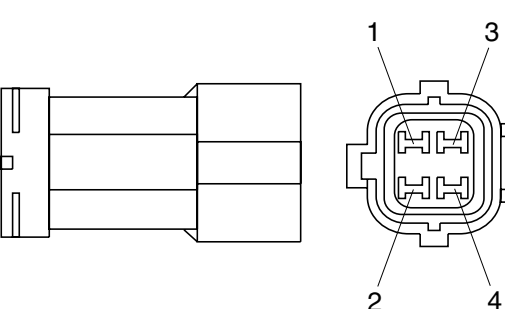
No. of pin	Receptacle connector(Female)	Plug connector(Male)
5	 <p style="text-align: center;">S811-005002</p>	 <p style="text-align: center;">S811-105002</p>
7	 <p style="text-align: center;">S811-007002</p>	 <p style="text-align: center;">S811-107002</p>
9	 <p style="text-align: center;">S811-009002</p>	 <p style="text-align: center;">3S811-109002</p>
11	 <p style="text-align: center;">S811-011002</p>	 <p style="text-align: center;">S811-111002</p>

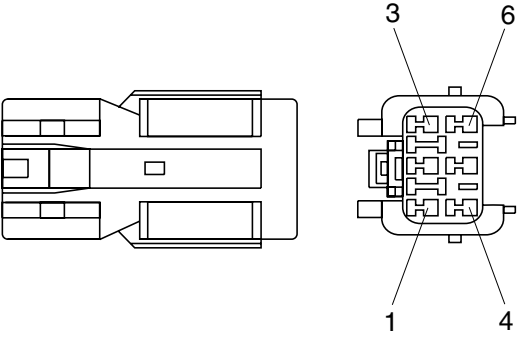
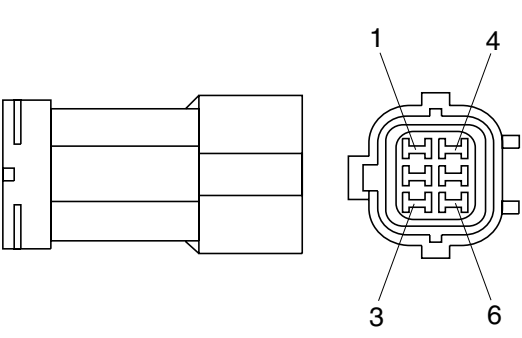
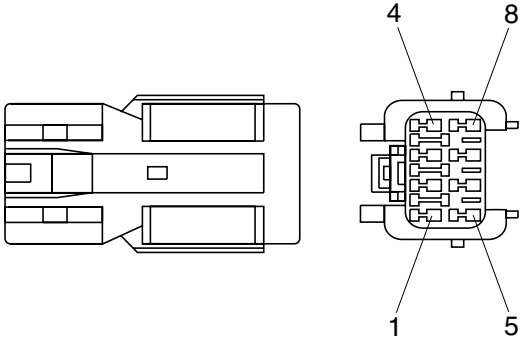
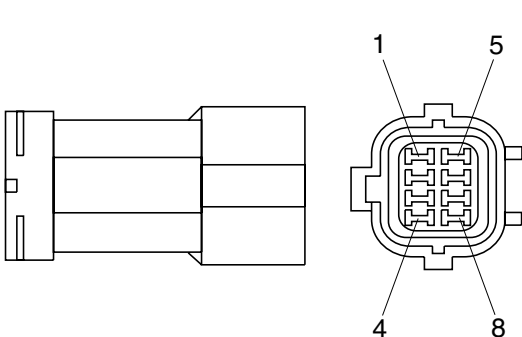
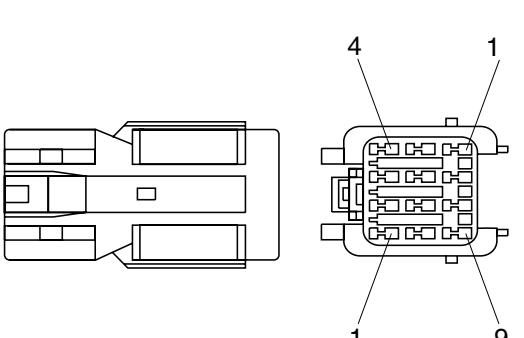
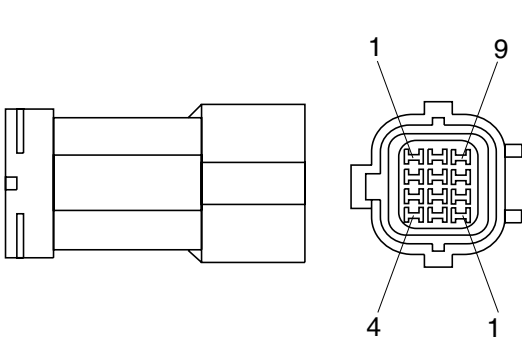
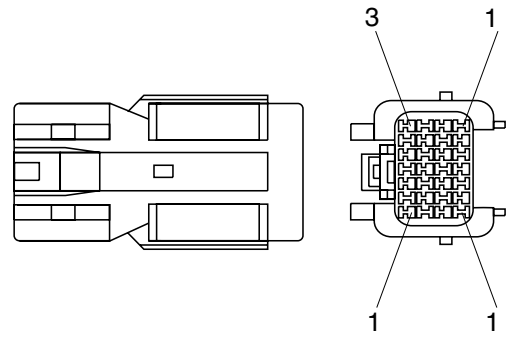
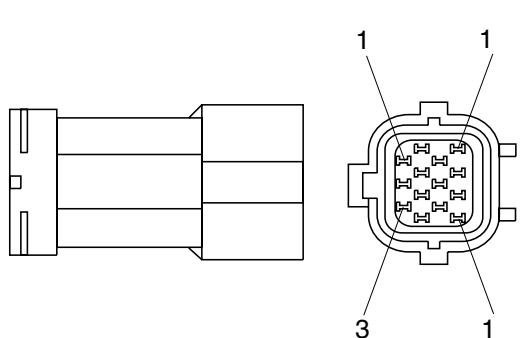
No. of pin	Receptacle connector(Female)	Plug connector(Male)
13	 <p data-bbox="691 629 839 663">S811-013002</p>	 <p data-bbox="1246 629 1394 663">S811-113002</p>
17	 <p data-bbox="691 1041 839 1075">S811-017002</p>	 <p data-bbox="1246 1041 1394 1075">S811-117002</p>
21	 <p data-bbox="691 1447 839 1480">S811-021002</p>	 <p data-bbox="1246 1447 1394 1480">S811-121002</p>

2) J TYPE CONNECTOR

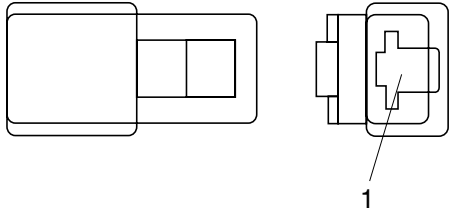
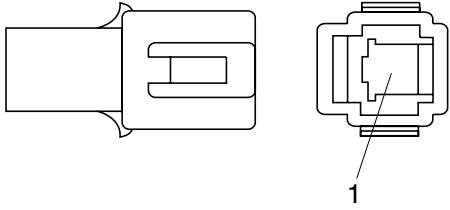
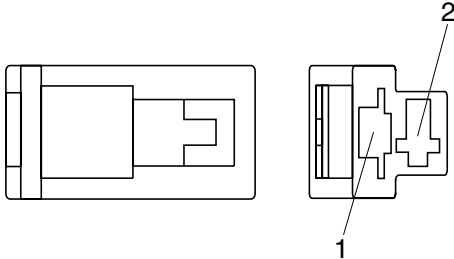
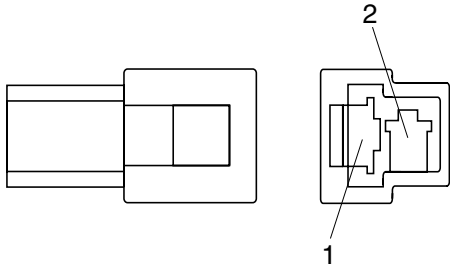
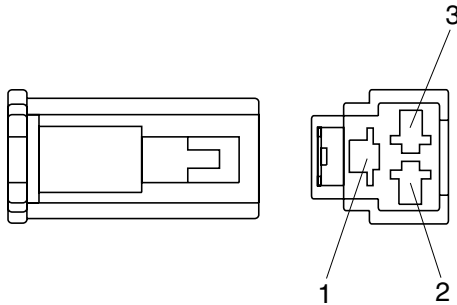
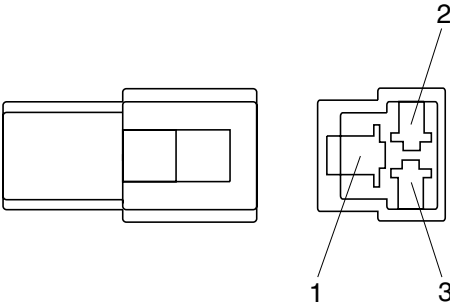
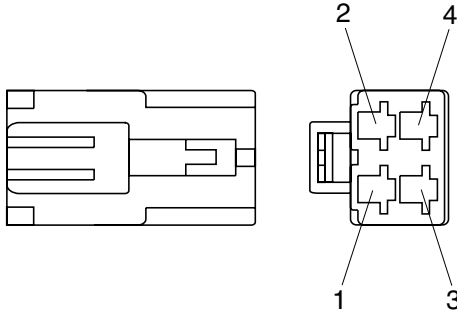
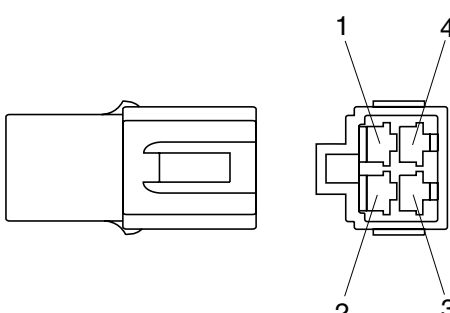
No. of pin	Receptacle connector(Female)	Plug connector(Male)
2	 <p style="text-align: center;">S816-002001</p>	 <p style="text-align: center;">S816-102001</p>
3	 <p style="text-align: center;">S816-003001</p>	 <p style="text-align: center;">S816-103001</p>
4	 <p style="text-align: center;">S816-004001</p>	 <p style="text-align: center;">S816-104001</p>
8	 <p style="text-align: center;">S816-008001</p>	 <p style="text-align: center;">S816-108001</p>

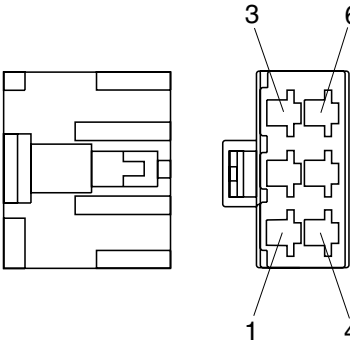
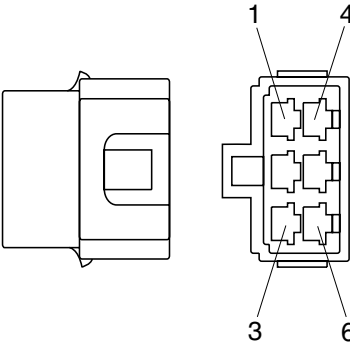
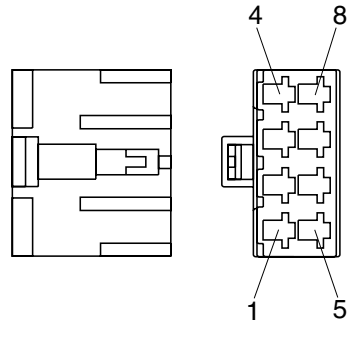
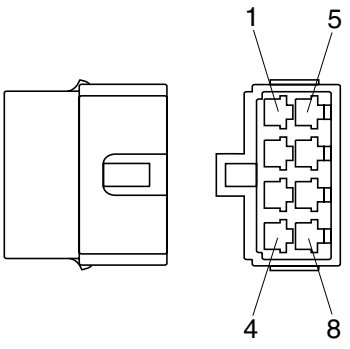
3) SWP TYPE CONNECTOR

No. of pin	Receptacle connector(Female)	Plug connector(Male)
1	 <p data-bbox="689 674 837 703">S814-001000</p>	 <p data-bbox="1246 674 1394 703">S814-101000</p>
2	 <p data-bbox="689 1077 837 1106">S814-002000</p>	 <p data-bbox="1246 1077 1394 1106">S814-102000</p>
3	 <p data-bbox="689 1487 837 1516">S814-003000</p>	 <p data-bbox="1246 1487 1394 1516">S814-103000</p>
4	 <p data-bbox="689 1883 837 1912">S814-004000</p>	 <p data-bbox="1246 1883 1394 1912">S814-104000</p>

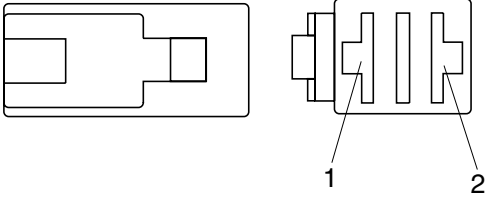
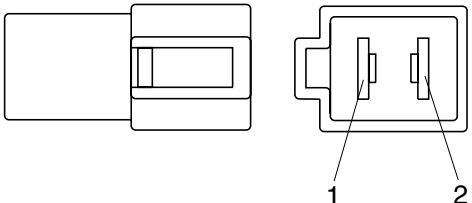
No. of pin	Receptacle connector(Female)	Plug connector(Male)
6	 <p data-bbox="686 627 837 660">S814-006000</p>	 <p data-bbox="1236 627 1388 660">S814-106000</p>
8	 <p data-bbox="686 1030 837 1064">S814-008000</p>	 <p data-bbox="1236 1030 1388 1064">S814-108000</p>
12	 <p data-bbox="686 1438 837 1471">S814-012000</p>	 <p data-bbox="1236 1438 1388 1471">S814-112000</p>
14	 <p data-bbox="686 1845 837 1879">S814-014000</p>	 <p data-bbox="1236 1845 1388 1879">S814-114000</p>

4) CN TYPE CONNECTOR

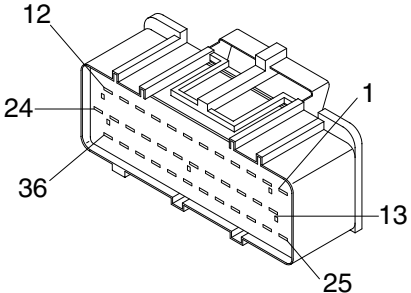
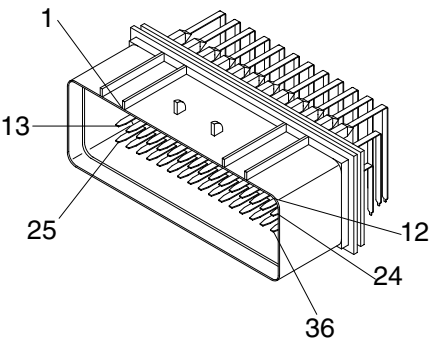
No. of pin	Receptacle connector(Female)	Plug connector(Male)
1	 <p style="text-align: center;">S810-001202</p>	 <p style="text-align: center;">S810-101202</p>
2	 <p style="text-align: center;">S810-002202</p>	 <p style="text-align: center;">S810-102202</p>
3	 <p style="text-align: center;">S810-003202</p>	 <p style="text-align: center;">S810-103202</p>
4	 <p style="text-align: center;">S810-004202</p>	 <p style="text-align: center;">S810-104202</p>

No. of pin	Receptacle connector(Female)	Plug connector(Male)
6	 <p data-bbox="686 627 837 660">S810-006202</p>	 <p data-bbox="1244 627 1396 660">S810-106202</p>
8	 <p data-bbox="686 1041 837 1075">S810-008202</p>	 <p data-bbox="1244 1041 1396 1075">S810-108202</p>

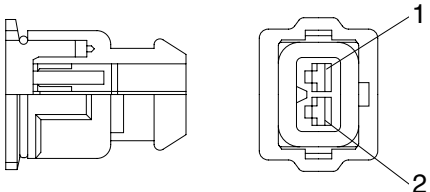
5) 375 FASTEN TYPE CONNECTOR

No. of pin	Receptacle connector(Female)	Plug connector(Male)
2	 <p style="text-align: center;">S810-002402</p>	 <p style="text-align: center;">S810-102402</p>

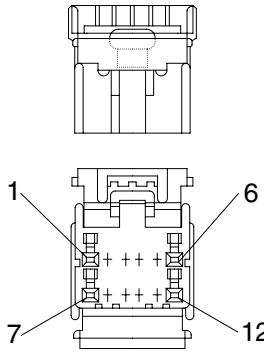
6) AMP ECONOSEAL CONNECTOR

No. of pin	Receptacle connector(Female)	Plug connector(Male)
36	 <p style="text-align: center;">344111-1</p>	 <p style="text-align: center;">344108-1</p>

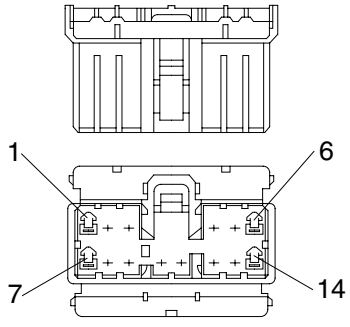
7) AMP TIMER CONNECTOR

No. of pin	Receptacle connector(Female)	Plug connector(Male)
2	 <p style="text-align: center;">85202-1</p>	

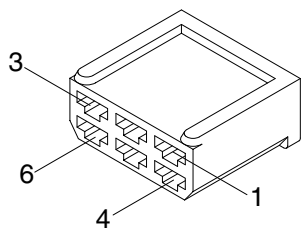
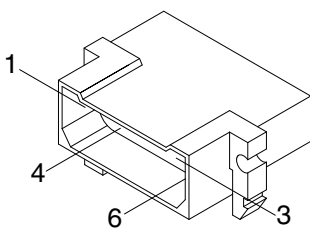
8) AMP 040 MULTILOCK CONNECTOR

No. of pin	Receptacle connector(Female)	Plug connector(Male)
12	 <p>174045-2</p>	

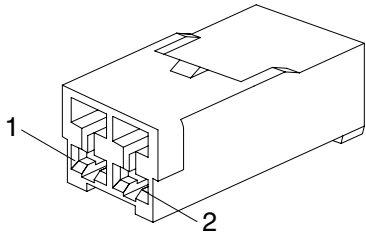
9) AMP 070 MULTILOCK CONNECTOR

No. of pin	Receptacle connector(Female)	Plug connector(Male)
14	 <p>173852</p>	

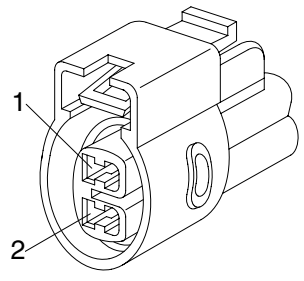
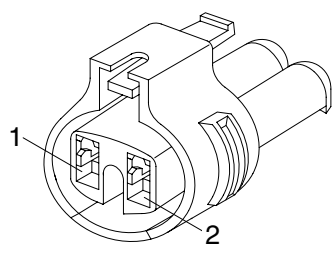
10) AMP FASTIN - FASTON CONNECTOR

No. of pin	Receptacle connector(Female)	Plug connector(Male)
6	 <p>925276-0</p>	 <p>480003-9</p>

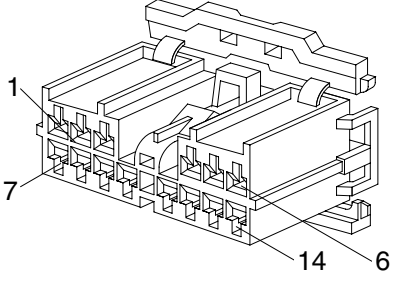
11) KET 090 CONNECTOR

No. of pin	Receptacle connector(Female)	Plug connector(Male)
2	 <p style="text-align: right;">MG610070</p>	

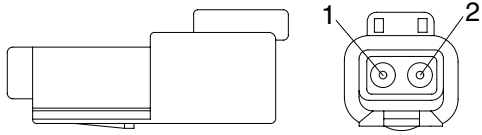
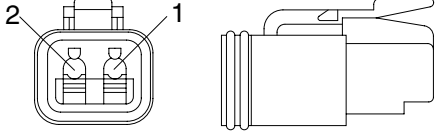
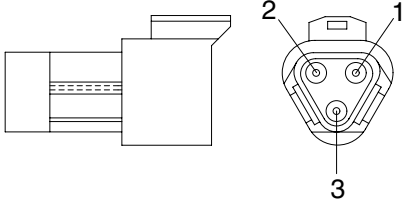
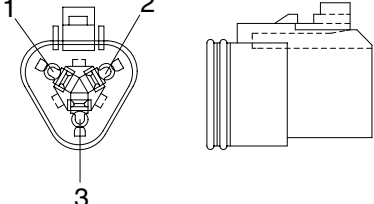
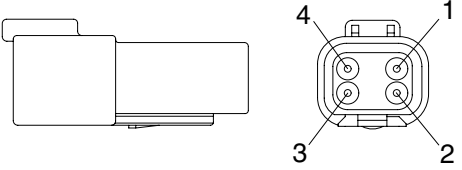
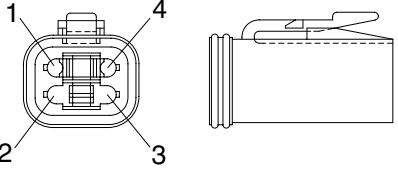
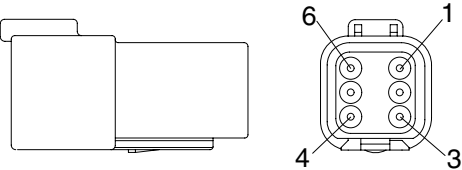
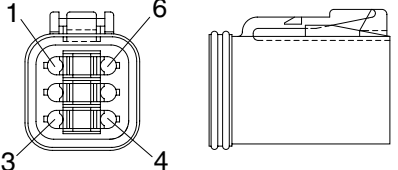
12) KET 090 WP CONNECTORS

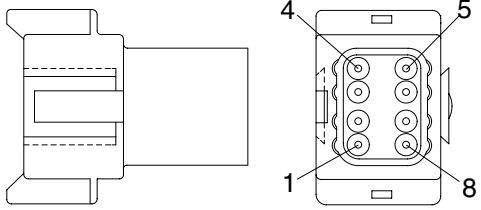
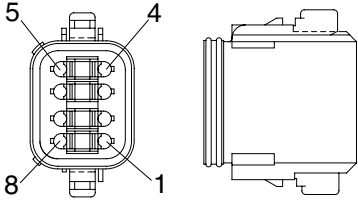
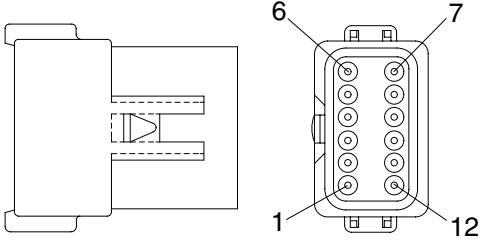
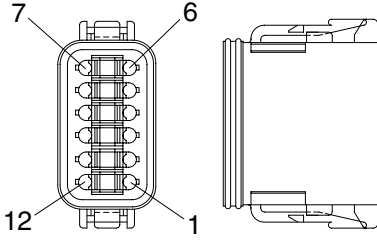
No. of pin	Receptacle connector(Female)	Plug connector(Male)
2	 <p style="text-align: right;">MG640605</p>	
2	 <p style="text-align: right;">MG640795</p>	

13) KET SDL CONNECTOR

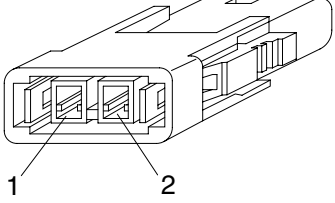
No. of pin	Receptacle connector(Female)	Plug connector(Male)
14	 <p data-bbox="715 678 837 707">MG610406</p>	

14) DEUTSCH DT CONNECTORS

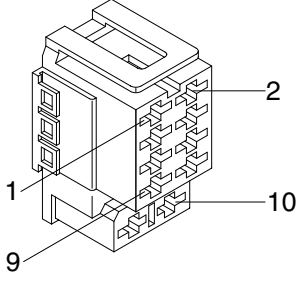
No. of pin	Receptacle connector(Female)	Plug connector(Male)
2	 <p style="text-align: center;">DT06-2S</p>	 <p style="text-align: center;">DT06-2P</p>
3	 <p style="text-align: center;">DT06-3S</p>	 <p style="text-align: center;">DT06-3P</p>
4	 <p style="text-align: center;">DT06-4S</p>	 <p style="text-align: center;">DT06-4P</p>
6	 <p style="text-align: center;">DT06-6S</p>	 <p style="text-align: center;">DT06-6P</p>

No. of pin	Receptacle connector(Female)	Plug connector(Male)
8	 <p style="text-align: right;">DT06-8S</p>	 <p style="text-align: right;">DT06-8P</p>
12	 <p style="text-align: right;">DT06-12S</p>	 <p style="text-align: right;">DT06-12P</p>

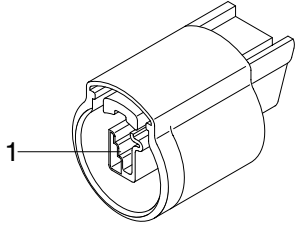
15) MOLEX 2CKTS CONNECTOR

No. of pin	Receptacle connector(Female)	Plug connector(Male)
2	 <p data-bbox="705 678 837 707">35215-0200</p>	

16) ITT SWF CONNECTOR

No. of pin	Receptacle connector(Female)	Plug connector(Male)
10	 <p data-bbox="699 1265 837 1294">SWF593757</p>	

17) MWP NMWP CONNECTOR

No. of pin	Receptacle connector(Female)	Plug connector(Male)
1	 <p data-bbox="689 1848 837 1877">NMWP01F-B</p>	