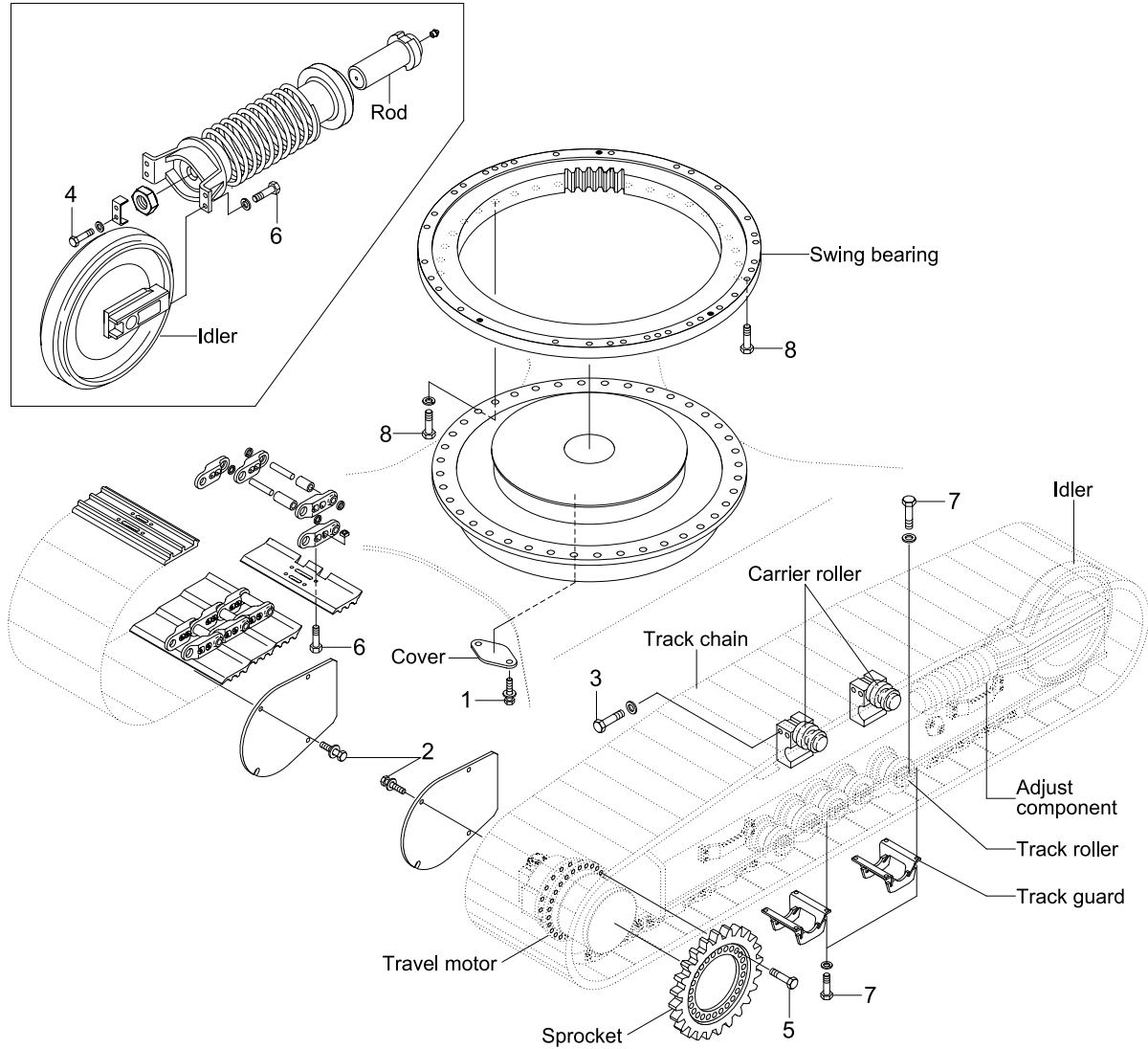


GROUP 5 UNDERCARRIAGE

ADJUST COMPONENT



45079CM08

· Tightening torque

Item	Size	kgf · m	lbf · ft
1	M10×1.5	6.9±1.4	49.9±10.1
2	M12×1.75	12.8±3.0	92.6±21.7
3	M16×2.0	31.3±4.7	226±34.0
4	M14×1.5	21±3.1	152±22.4

Item	Size	kgf · m	lbf · ft
5	M20×2.5	57.9±8.7	419±62.9
6	M22×1.5	87.2±12.5	631±90.4
7	M22×2.5	83.2±12.5	602±90.4
8	M24×3.0	97.8±10	707±72.3