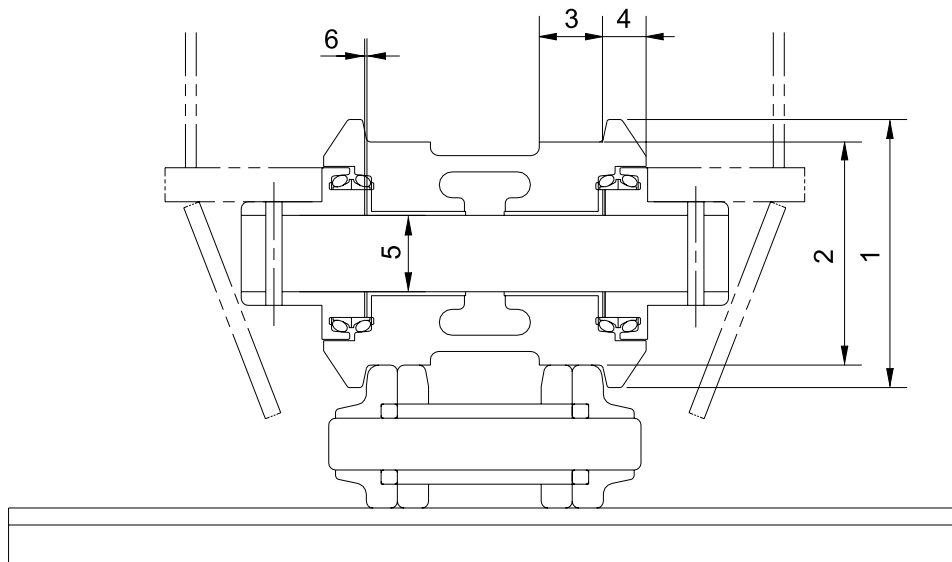


GROUP 3 TRACK AND WORK EQUIPMENT

1. TRACK

1) TRACK ROLLER

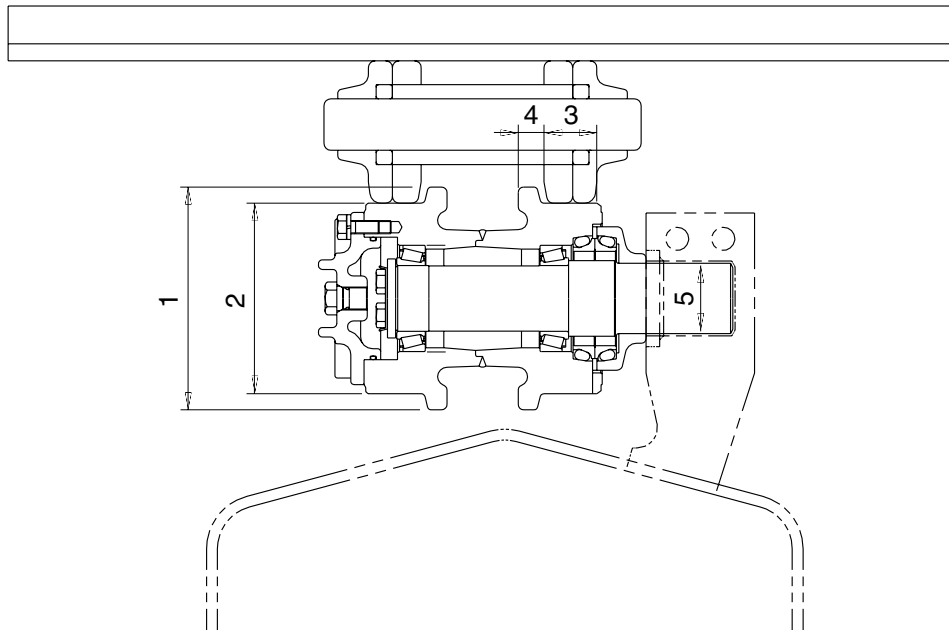


32077MS01

Unit : mm

No.	Check item	Criteria		Remedy		
		Standard size	Repair limit			
1	Outside diameter of flange	$\phi 250$	-	Rebuild or replace		
2	Outside diameter of tread	$\phi 200$	$\phi 188$			
3	Width of tread	54.6	60.6			
4	Width of flange	34.4	-			
5	Clearance between shaft and bushing	Standard size & tolerance		Standard clearance 0.279 to 0.526	Clearance limit 2.0	Replace bushing
		Shaft $\phi 85 \begin{matrix} -0.25 \\ -0.35 \end{matrix}$	Bushing $\phi 85 \begin{matrix} +0.176 \\ +0.029 \end{matrix}$			
6	Side clearance of roller (Both side)	Standard clearance		Clearance limit		Replace
		0.12~1.3		2.0		

2) CARRIER ROLLER

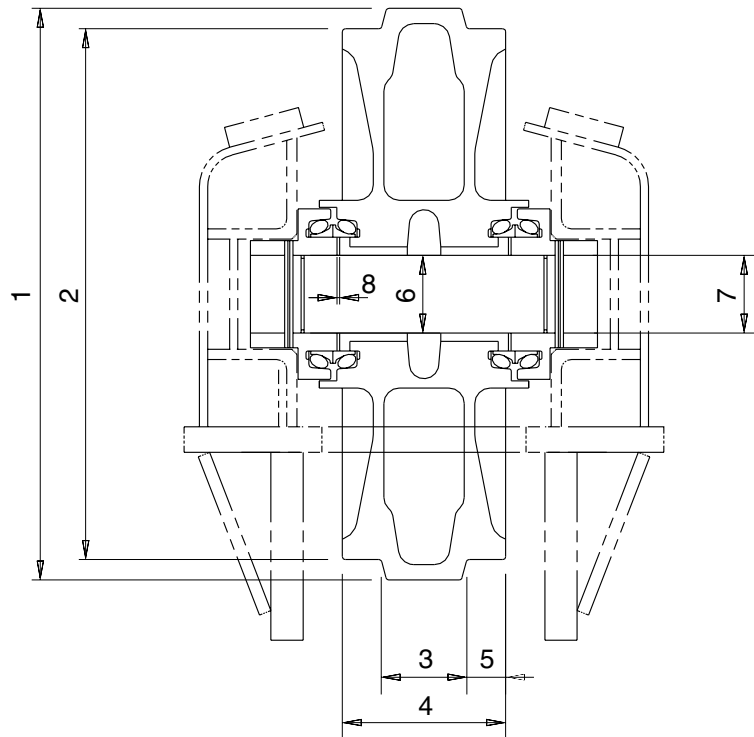


21073MS02

Unit : mm

No.	Check item	Criteria			Remedy	
		Standard size		Repair limit		
1	Outside diameter of flange	ø 220		-	Rebuild or replace	
2	Outside diameter of tread	ø 191		ø 181		
3	Width of tread	51		56		
4	Width of flange	20		-		
5	Clearance between shaft and support	Standard size & tolerance		Standard clearance	Clearance limit	Replace
		Shaft	Hole			
		ø 57.15 _{-0.1} ⁰	ø 57.15 _{+0.1} ^{+0.3}	0.1 to 0.4	1.2	

3) IDLER

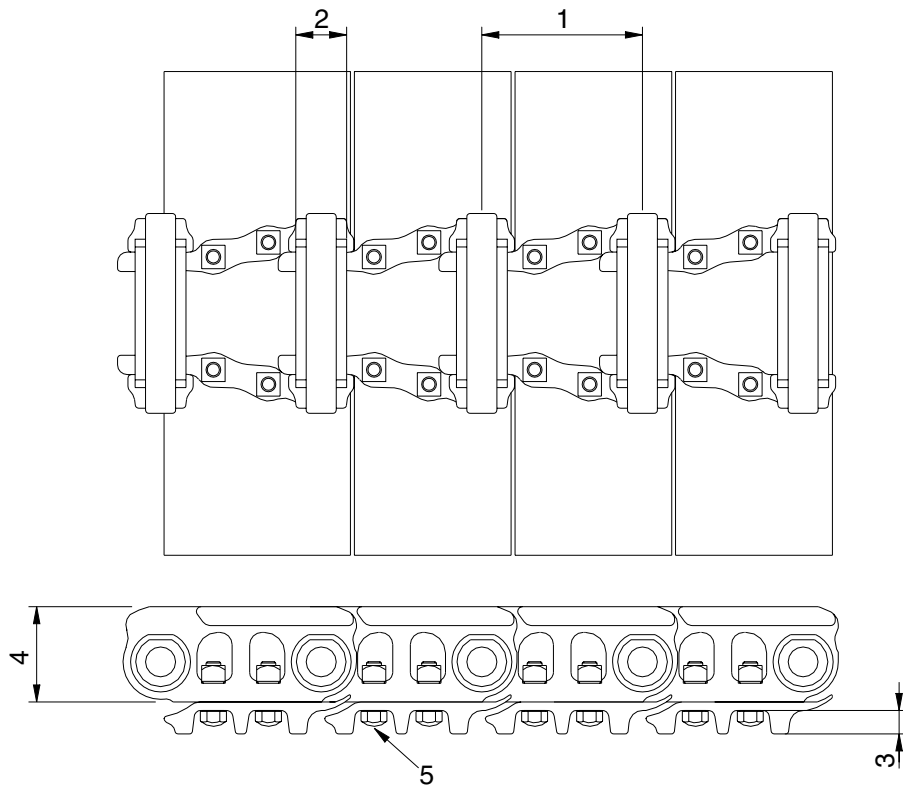


21073MS03

Unit : mm

No.	Check item	Criteria		Remedy		
		Standard size	Repair limit			
1	Outside diameter of protrusion	$\phi 682$	-	Rebuild or replace		
2	Outside diameter of tread	$\phi 630$	$\phi 616$			
3	Width of protrusion	102	-			
4	Total width	203	-			
5	Width of tread	50.5	57.5			
6	Clearance between shaft and bushing	Standard size & tolerance		Standard clearance	Clearance limit	Replace bushing
		Shaft	Hole			
		$\phi 85 \begin{matrix} 0 \\ -0.035 \end{matrix}$	$\phi 85.35 \begin{matrix} +0.05 \\ 0 \end{matrix}$	0.35 to 0.435	2.0	
7	Clearance between shaft and support	$\phi 85 \begin{matrix} 0 \\ -0.035 \end{matrix}$	$\phi 85 \begin{matrix} +0.090 \\ +0.036 \end{matrix}$	0.036 to 0.125	1.2	Replace
8	Side clearance of idler (Both side)	Standard clearance		Clearance limit		Replace
		0.25 to 0.12		2.0		

4) TRACK

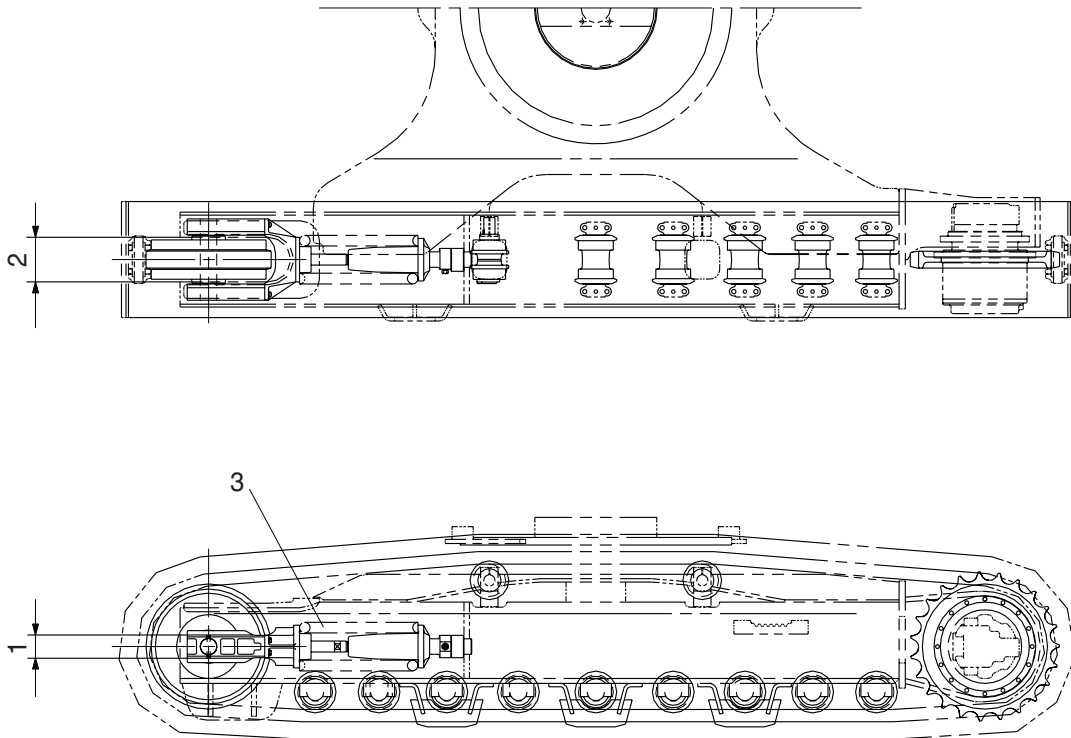


32077MS04

Unit : mm

No.	Check item	Criteria		Remedy
		Standard size	Repair limit	
1	Link pitch	215.9	220.9	Turn or replace
2	Outside diameter of bushing	∅ 71	∅ 60.4	
3	Height of grouser	36	21	Rebuild or replace
4	Height of link	129	115	
5	Tightening torque	Initial tightening torque : $105 \pm 5 \text{ kgf} \cdot \text{m}$		Retighten

5) TRACK FRAME AND RECOIL SPRING

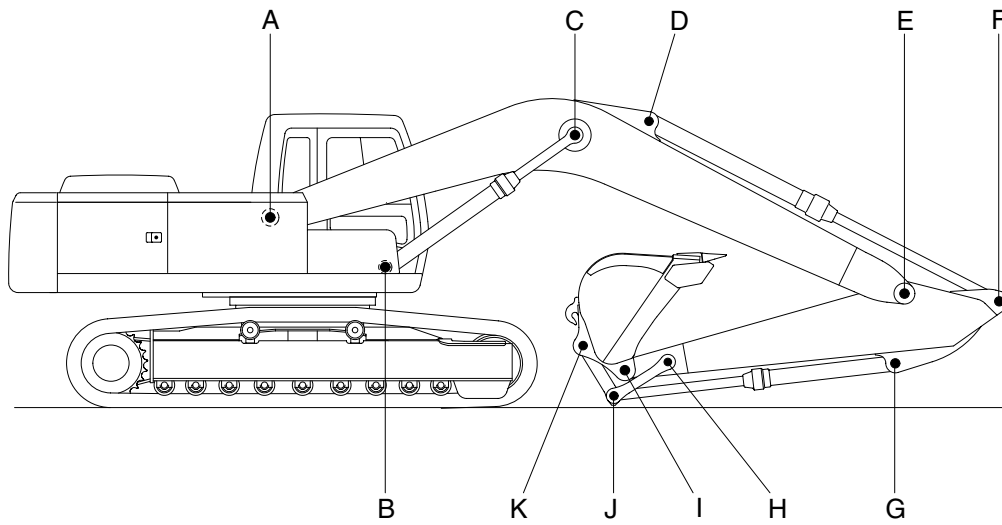


21073MS05

Unit : mm

No.	Check item	Criteria				Remedy	
			Standard size	Tolerance	Repair limit		
1	Vertical width of idler guide	Track frame	123	+2 0	127	Rebuild or replace	
		Idler support	120	0 -1.5	116		
2	Horizontal width of idler guide	Track frame	292	+2 0	296		
		Idler support	290	-	287		
3	Recoil spring	Standard size		Repair limit		Replace	
		Free length	Installation length	Installation load	Free length		Installation load
		∅ 276 × 865	707	288401kg	-		23072kg

2. WORK EQUIPMENT



21077MS20

Unit : mm

Mark	Measuring point (Pin and Bushing)	Normal value	Pin		Bushing		Remedy & Remark
			Recomm. service limit	Limit of use	Recomm. service limit	Limit of use	
A	Boom Rear	120	119	118.5	120.5	121	Replace
B	Boom Cylinder Head	120	119	118.5	120.5	121	
C	Boom Cylinder Rod	120	119	118.5	120.5	121	
D	Arm Cylinder Head	120	119	118.5	120.5	121	
E	Boom Front	120	119	118.5	120.5	121	
F	Arm Cylinder Rod	120	119	118.5	120.5	121	
G	Bucket Cylinder Head	110	109	108.5	110.5	111	
H	Arm Link	100	99	98.5	100.5	101	
I	Bucket and Arm Link	120	119	118.5	120.5	121	
J	Bucket Cylinder Rod	110	109	108.5	110.5	111	
K	Bucket Link	120	119	118.5	120.5	121	