

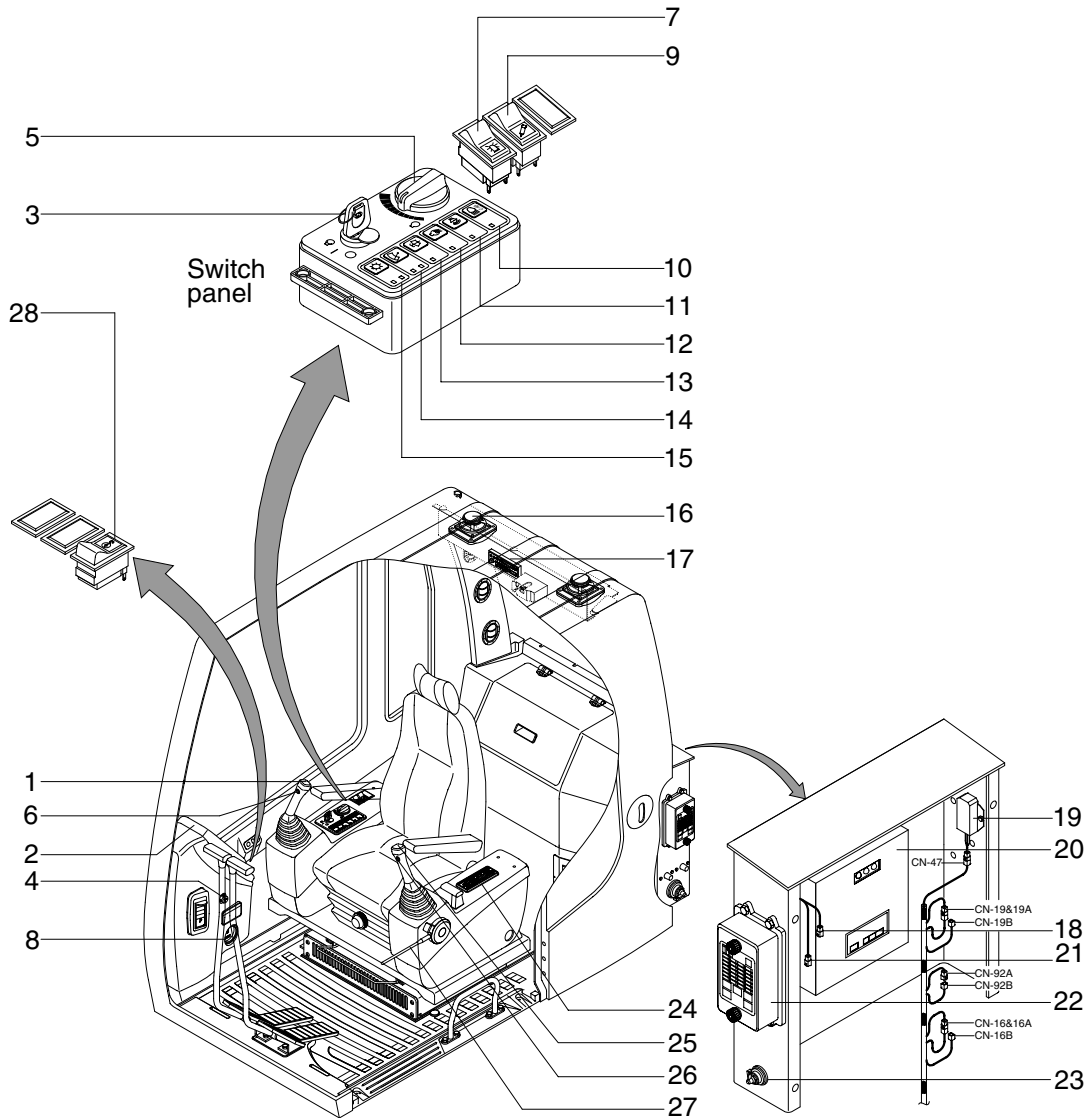
## SECTION 4 ELECTRICAL SYSTEM

Group 1 Component Location .....	4-1
Group 2 Electrical Circuit .....	4-3
Group 3 Electrical Component Specification .....	4-20
Group 4 Connectors .....	4-28

# SECTION 4 ELECTRICAL SYSTEM

## GROUP 1 COMPONENT LOCATION

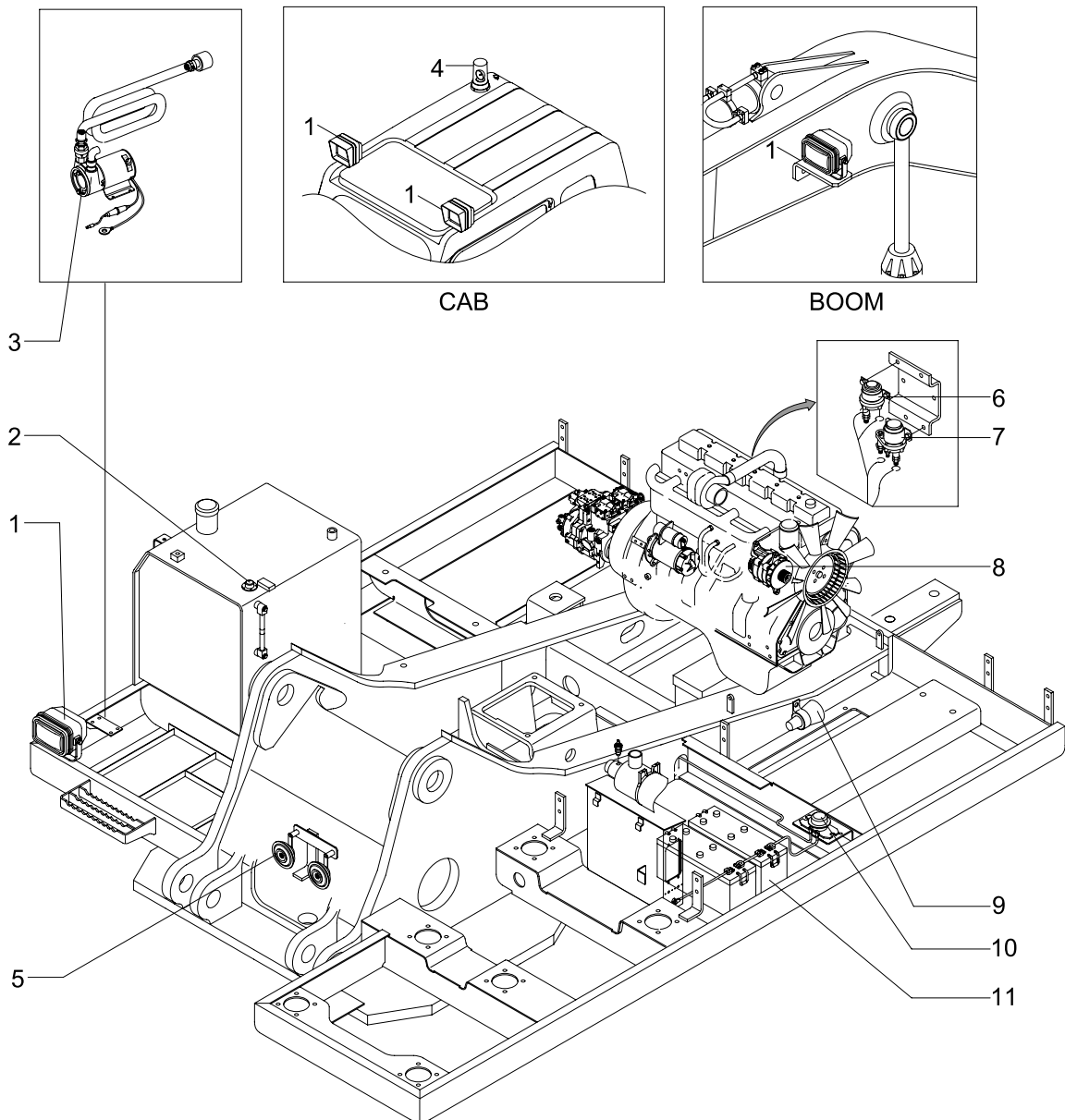
### 1. LOCATION 1



50074EL01

- |    |                          |    |                          |    |                              |
|----|--------------------------|----|--------------------------|----|------------------------------|
| 1  | Horn switch              | 11 | Travel alarm stop switch | 20 | CPU controller               |
| 2  | Cluster                  | 12 | Preheat switch           | 21 | J1939 serial connector       |
| 3  | Starting switch          | 13 | Washer switch            | 22 | Fuse box                     |
| 4  | Cigar lighter            | 14 | Wiper switch             | 23 | Master switch                |
| 5  | Accel dial               | 15 | Main light switch        | 24 | Aircon & heater switch panel |
| 6  | Breaker switch           | 16 | Speaker                  | 25 | One touch decel switch       |
| 7  | Beacon switch            | 17 | Cassette & radio         | 26 | Power max switch             |
| 8  | Service meter            | 18 | RS232 serial connector   | 27 | Safety lever                 |
| 9  | Breaker selection switch | 19 | Prolix resistor          | 28 | Overload switch              |
| 10 | Cab light switch         |    |                          |    |                              |

## 2. LOCATION 2



45074EL02

- |   |                  |   |              |    |                     |
|---|------------------|---|--------------|----|---------------------|
| 1 | Lamp             | 5 | Horn         | 9  | Travel alarm buzzer |
| 2 | Fuel sender      | 6 | Start relay  | 10 | Battery relay       |
| 3 | Fuel filler pump | 7 | Heater valve | 11 | Battery             |
| 4 | Beacon lamp      | 8 | Alternator   |    |                     |