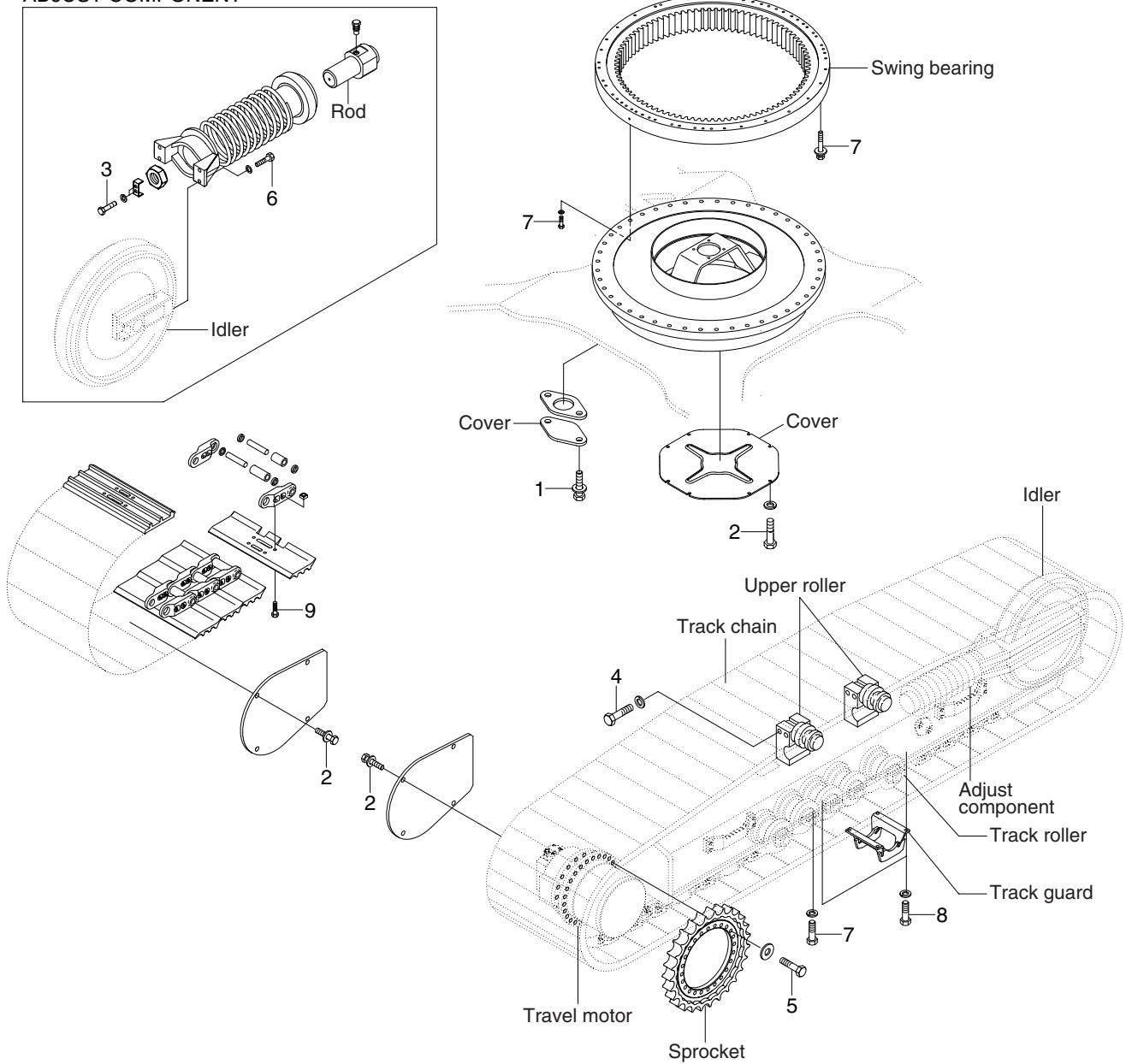


GROUP 5 UNDERCARRIAGE

ADJUST COMPONENT



4809MH9CM08

· Tightening torque

Item	Size	kgf · m	lbf · ft
1	M10×1.5	6.9±1.4	49.9±10.1
2	M12×1.75	12.8±3.0	92.6±21.7
3	M14×1.5	21±3.1	152±22.4
4	M16×2.0	29.7±3.0	215±21.7
5	M20×2.5	57.9±6.0	419±43.4

Item	Size	kgf · m	lbf · ft
6	M22×1.5	87.2±12.5	631±90.4
7	M24×3.0	100±10	723±72.3
8	M24×3.0	100±15	723±108
9	M24×3.0	140±14	1012±101