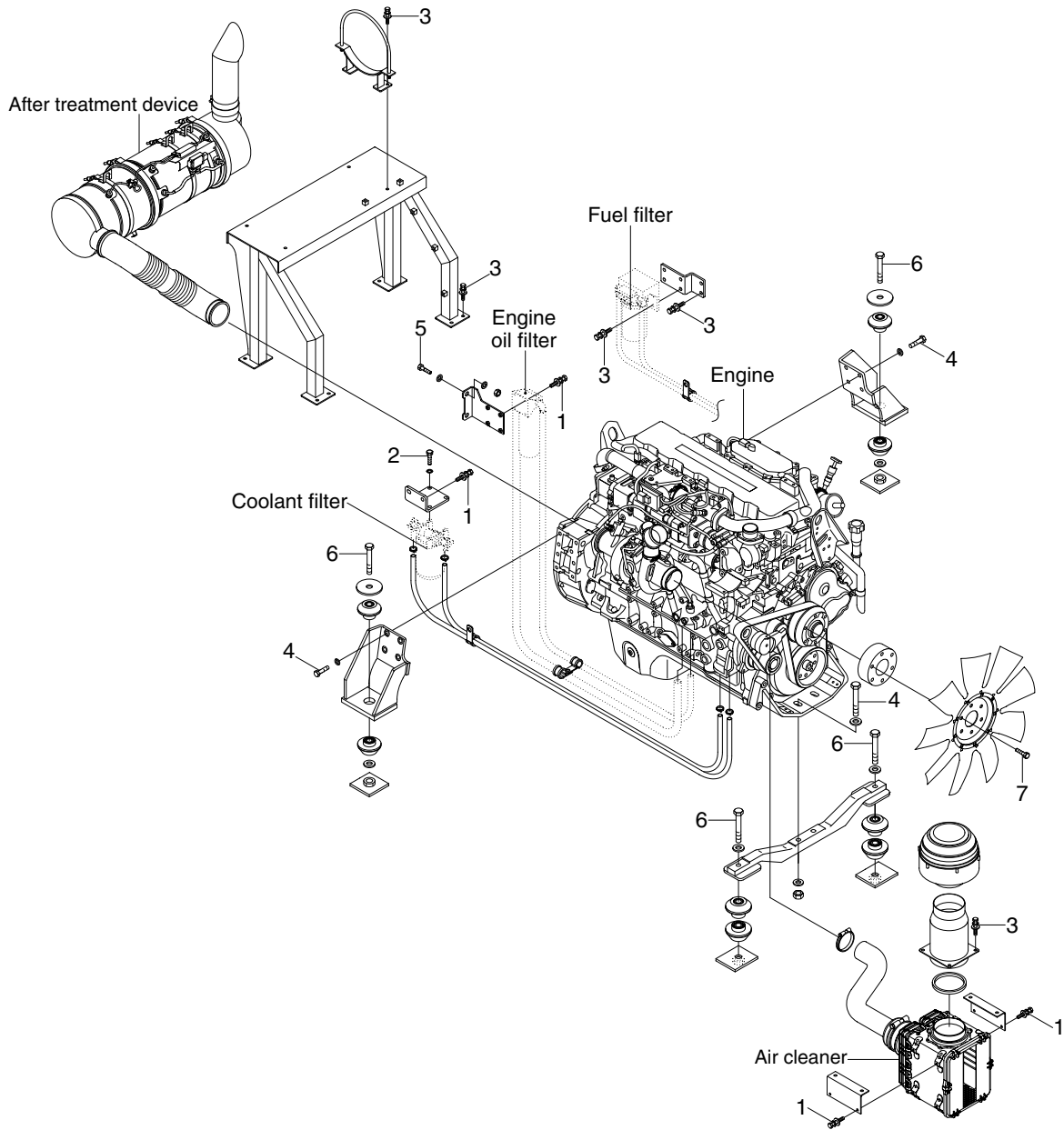


GROUP 2 ENGINE SYSTEM

ENGINE AND ACCESSORIES MOUNTING



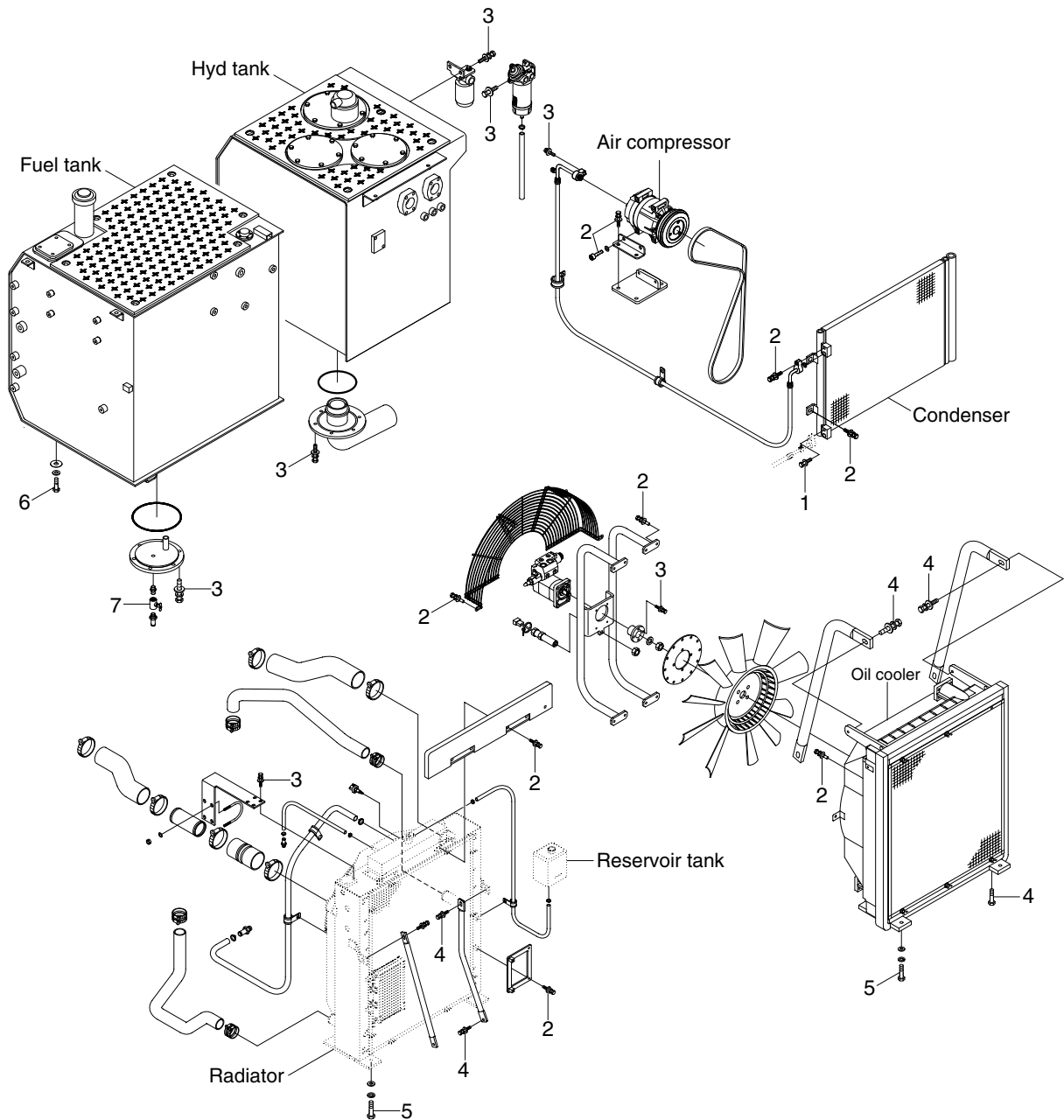
4809A9CM01

· Tightening torque

Item	Size	kgf · m	lbf · ft
1	M10×1.5	6.9±1.4	49.9±10.1
2	M 8×1.25	2.5±0.5	8.1±3.6
3	M12×1.75	12.3±2.4	88.9±17.3
4	M16×2.0	19.4±3.0	140±21.7

Item	Size	kgf · m	lbf · ft
5	M20×2.5	57.9±8.7	419±62.9
6	M20×2.5	69.8±6.0	505±43.4
7	1/2-13UNC	12.3±2.5	88.9±18.1
-	-	-	-

COOLING SYSTEM AND FUEL TANK MOUNTING



4809A9CM02

· Tightening torque

Item	Size	kgf · m	lbf · ft
1	M 6×1.0	1.05±0.2	7.6±1.45
2	M 8×1.25	2.5±0.5	18.1±3.6
3	M10×1.5	6.9±1.4	49.9±10.1
4	M12×1.75	12.8±3.0	92.6±21.7

Item	Size	kgf · m	lbf · ft
5	M16×2.0	29.7±4.5	126±32.5
6	M20×2.5	45±5.1	325±37
7	-	2.3±0.6	16.6±4.3