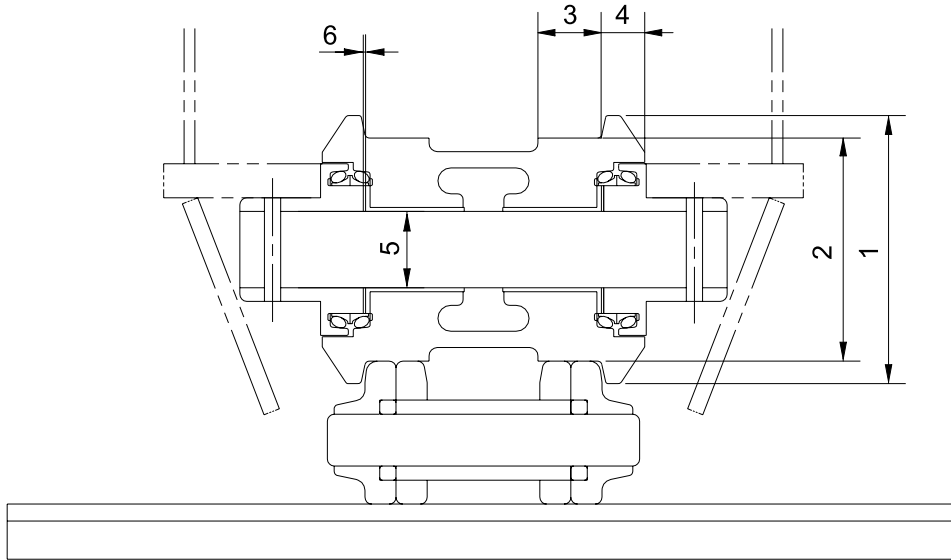


GROUP 3 TRACK AND WORK EQUIPMENT

1. TRACK

1) TRACK ROLLER

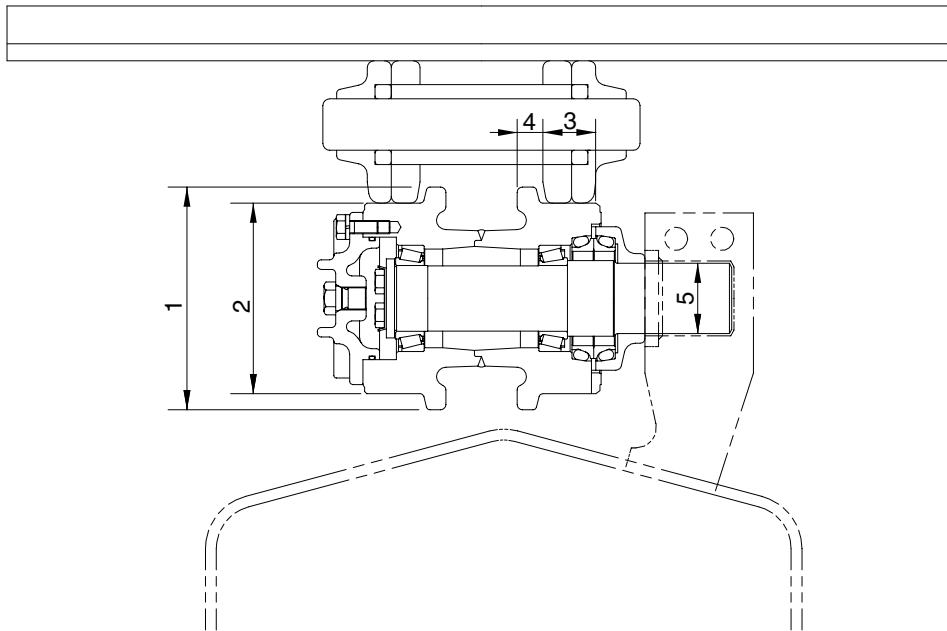


32077MS01

Unit : mm

No.	Check item	Criteria				Remedy
		Standard size		Repair limit		
1	Outside diameter of flange	ø 250		-		Rebuild or replace
2	Outside diameter of tread (R480LC-9, -#0033)	ø 200		ø 188		
	Outside diameter of tread (R520LC-9)(R480LC-9, #0034-)	ø 210		ø 198		
3	Width of tread	54.6		60.6		
4	Width of flange	34.4		-		
5	Clearance between shaft and bushing (R480LC-9)	Standard size & tolerance		Standard clearance	Clearance limit	Replace bushing
		Shaft	Hole			
		ø 85 -0.25 -0.35	ø 85 +0.176 +0.029	0.279 to 0.526	2.0	
	Clearance between shaft and bushing (R520LC-9)	ø 90 -0.28 -0.32	ø 90 +0.08 +0.02			
6	Side clearance of roller (both side)	Standard clearance		Clearance limit		Replace
		0.12~1.3		2.0		

2) CARRIER ROLLER

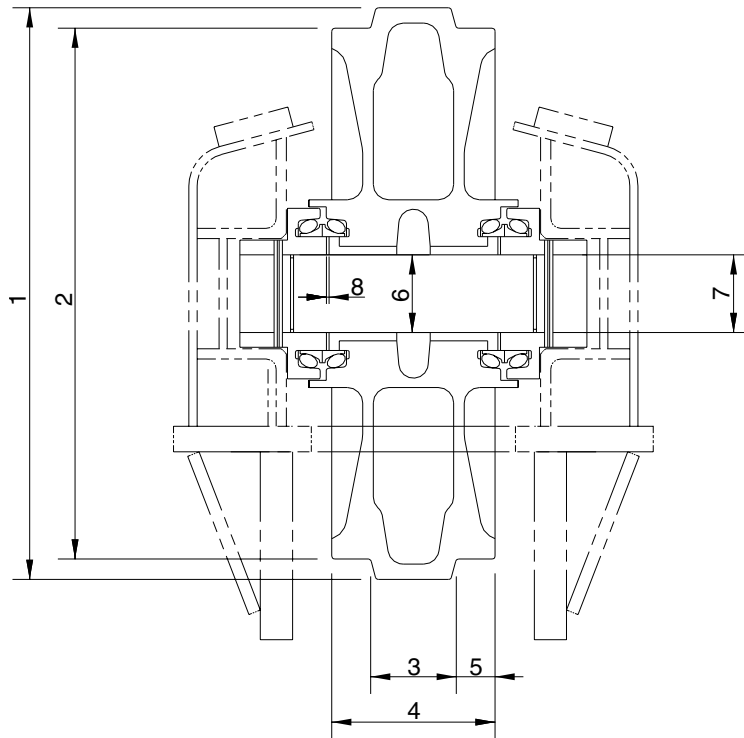


4507AMS04

Unit : mm

No.	Check item	Criteria			Remedy
		Standard size		Repair limit	
1	Outside diameter of flange	ø 220		-	Rebuild or replace
2	Outside diameter of tread	ø 191		ø 181	
3	Width of tread	51		56	
4	Width of flange	20		-	
5	Clearance between shaft and support	Standard size & tolerance		Standard clearance	Clearance limit
		Shaft	Hole		
		ø 57.15 $\begin{matrix} 0 \\ -0.1 \end{matrix}$	ø 57.15 $\begin{matrix} +0.3 \\ +0.1 \end{matrix}$	0.1 to 0.4	1.2

3) IDLER

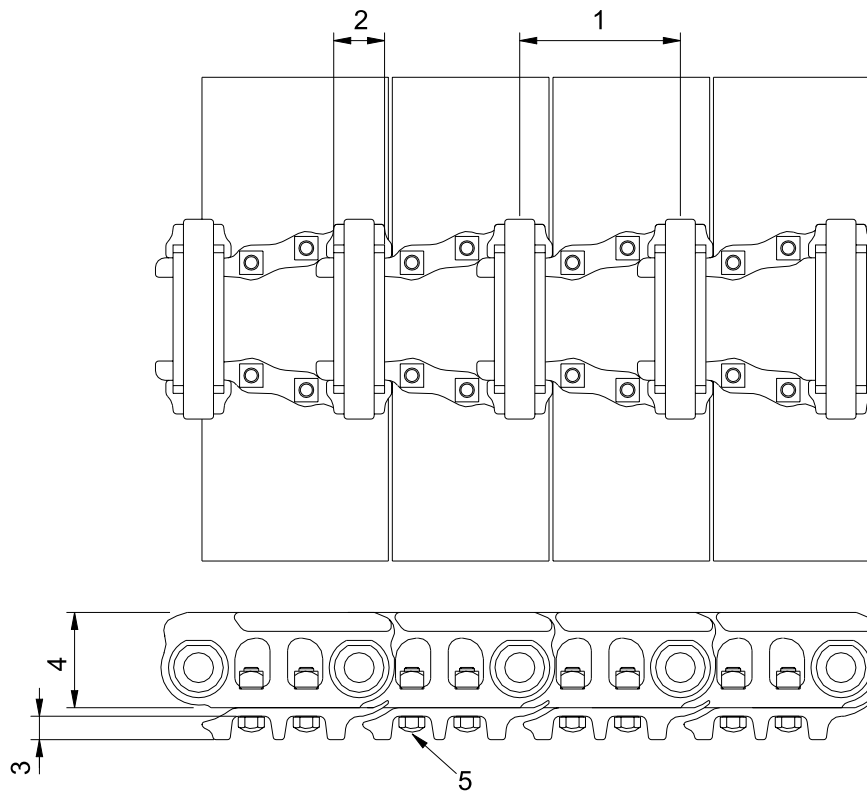


4707AMS03

Unit : mm

No.	Check item	Criteria			Remedy
		Standard size		Repair limit	
1	Outside diameter of protrusion	Standard size		Repair limit	Rebuild or replace
		ø 682		-	
2	Outside diameter of tread	ø 630		ø 616	
3	Width of protrusion	102		-	
4	Total width	203		-	
5	Width of tread	50.5		57.5	
6	Clearance between shaft and support (R480LC-9)	Standard size & tolerance		Standard clearance	Clearance limit
		Shaft	Hole		
		ø 85 $\begin{matrix} 0 \\ -0.035 \end{matrix}$	ø 85.35 $\begin{matrix} +0.05 \\ 0 \end{matrix}$	0.35 to 0.435	2.0
	Clearance between shaft and support (R520LC-9)	ø 95 $\begin{matrix} 0 \\ -0.035 \end{matrix}$	ø 95.45 $\begin{matrix} +0.05 \\ 0 \end{matrix}$	0.45 to 0.535	2.0
7	Clearance between shaft and support (R480LC-9)	ø 85 $\begin{matrix} 0 \\ -0.035 \end{matrix}$	ø 85 $\begin{matrix} +0.09 \\ +0.036 \end{matrix}$	0.036 to 0.125	1.2
	Clearance between shaft and support (R520LC-9)	ø 95 $\begin{matrix} 0 \\ -0.035 \end{matrix}$	ø 95 $\begin{matrix} +0.126 \\ +0.072 \end{matrix}$	0.072 to 0.161	1.2
8	Side clearance of idler (Both side)	Standard clearance		Clearance limit	
		0.25 to 1.2		2.0	

4) TRACK

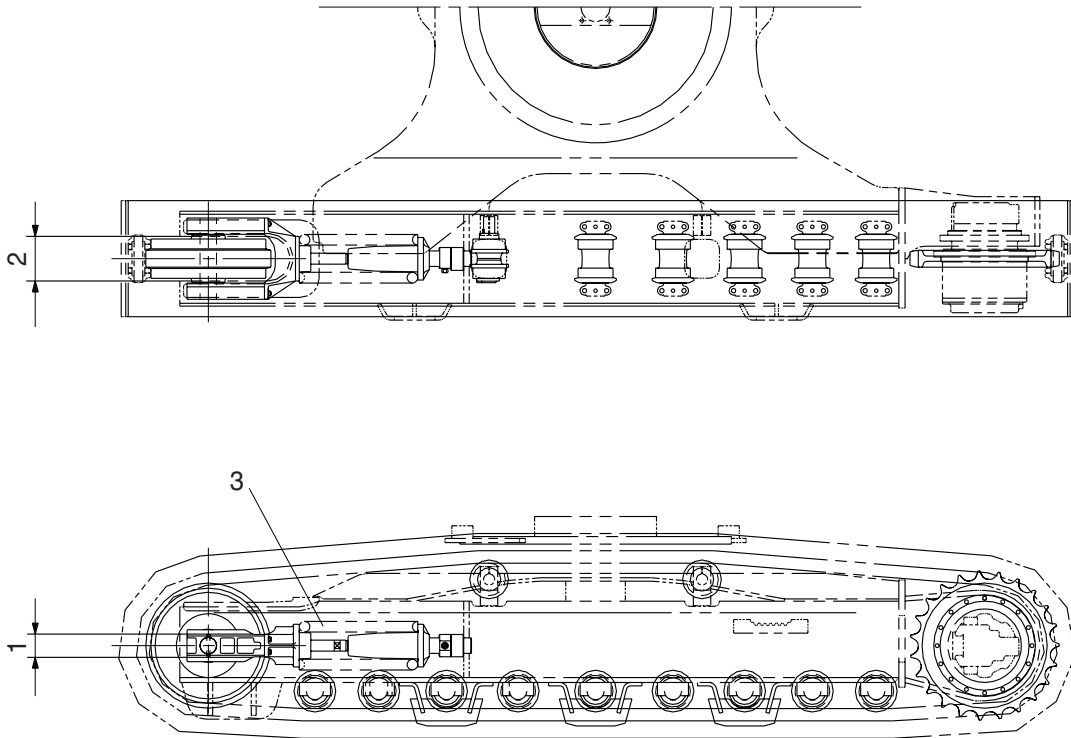


32077MS04

Unit : mm

No.	Check item	Criteria		Remedy
		Standard size	Repair limit	
1	Link pitch	215.9	226.7	Turn or replace
2	Outside diameter of bushing	ø 71	ø 60.4	Rebuild or replace
3	Height of grouser	36	21	
4	Height of link	129	115	Retighten
5	Tightening torque	Initial tightening torque : 105 ± 5 kgf · m		

5) TRACK FRAME AND RECOIL SPRING

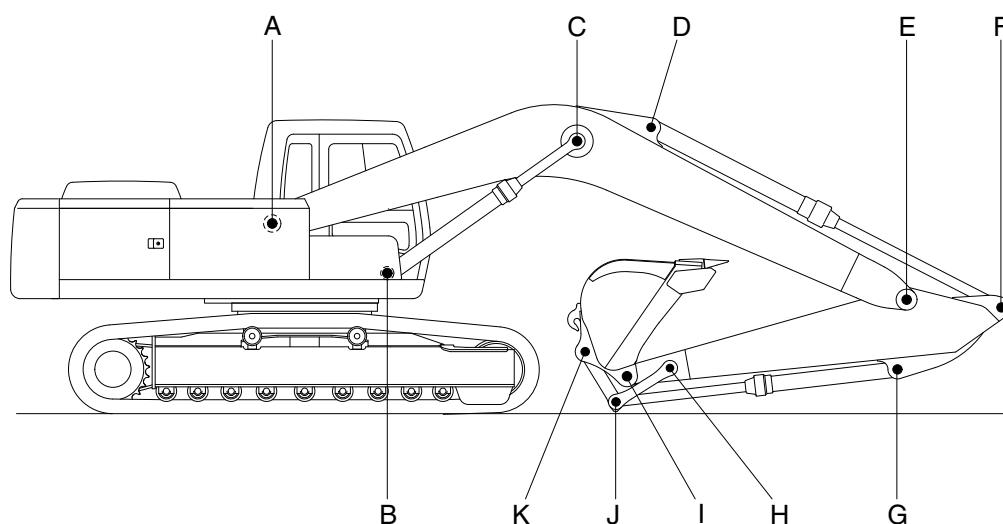


21073MS05

Unit : mm

No.	Check item	Criteria				Remedy	
			Standard size	Tolerance	Repair limit		
1	Vertical width of idler guide (R480LC-9)	Track frame	123	+2 -1	137	Rebuild or replace	
		Idler support	120	0 -1.5	116		
	Vertical width of idler guide (R520LC-9)	Track frame	133	+2 -1	137		
		Idler support	130	0 -1.5	126		
2	Horizontal width of idler guide	Track frame	292	+2 -1	296		
		Idler support	290	-	287		
3	Recoil spring	Standard size			Repair limit		Replace
		Free length	Installation length	Installation load	Free length	Installation load	
		∅ 254 × 740	595	24500 kg	-	19600 kg	

2. WORK EQUIPMENT



21077MS20

Unit : mm

Mark	Measuring point (Pin and Bushing)	Normal value	Pin		Bushing		Remedy & Remark
			Recomm. service limit	Limit of use	Recomm. service limit	Limit of use	
A	Boom Rear	125	124	123.5	125.5	126	Replacement
B	Boom Cylinder Head	120	119	118.5	120.5	121	
C	Boom Cylinder Rod	120	119	118.5	120.5	121	
D	Arm Cylinder Head	120	119	118.5	120.5	121	
E	Boom Front	125	124	123.5	125.5	126	
F	Arm Cylinder Rod	120	119	118.5	120.5	121	
G	Bucket Cylinder Head (R480LC-9)	100	99	98.5	100.5	101	
	Bucket Cylinder Head (R520LC-9)	110	109	108.5	110.5	111	
H	Arm Link	100	99	98.5	100.5	101	
I	Bucket and Arm Link (R480LC-9)	100	99	98.5	100.5	101	
	Bucket and Arm Link (R520LC-9)	120	119	118.5	120.5	121	
J	Bucket Cylinder Rod (R480LC-9)	100	99	98.5	100.5	101	
	Bucket Cylinder Rod (R520LC-9)	110	109	108.5	110.5	111	
K	Bucket Link (R480LC-9)	100	99	98.5	100.5	101	
	Bucket Link (R520LC-9)	120	119	118.5	120.5	121	