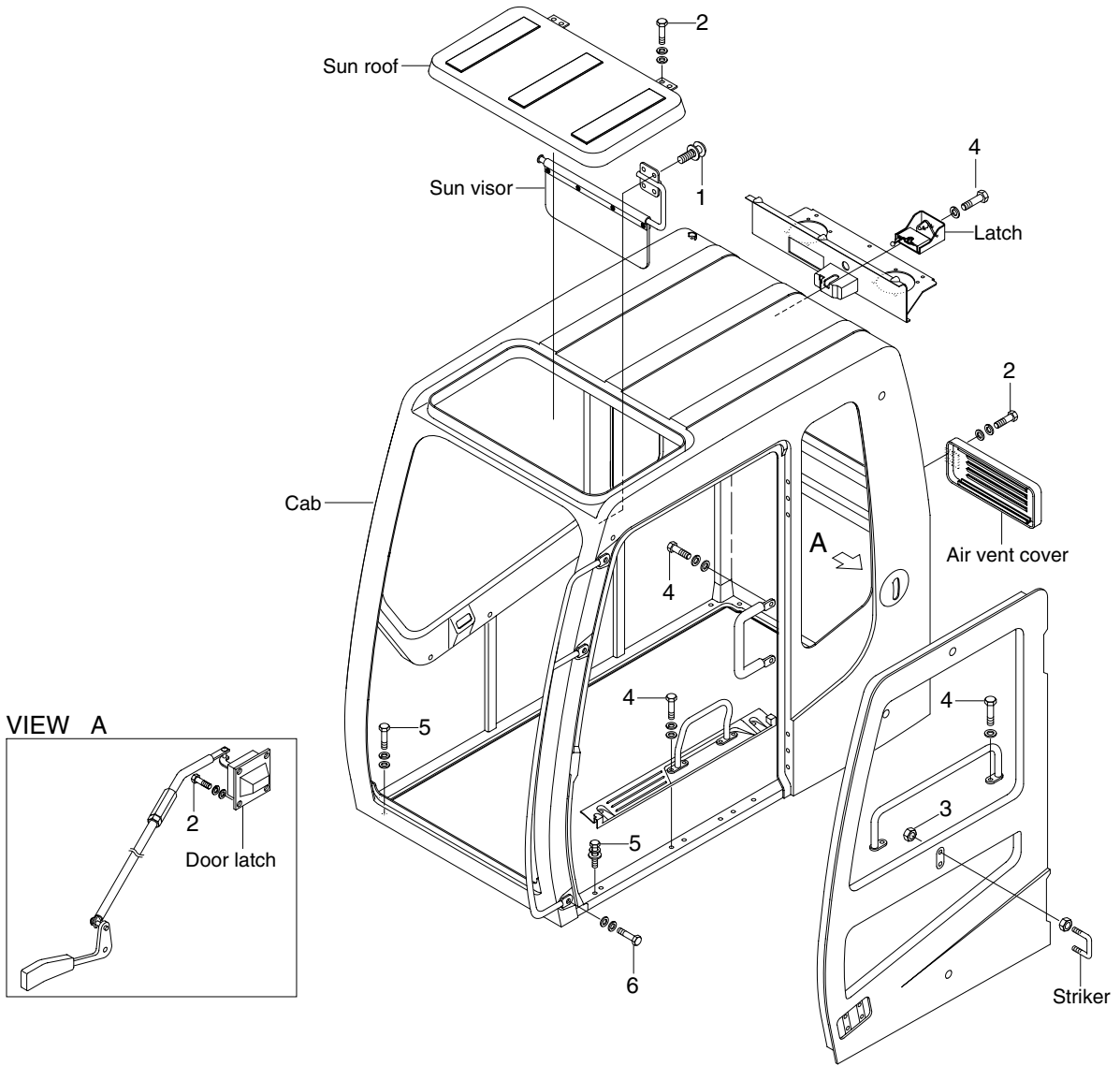


# GROUP 6 STRUCTURE

## CAB AND ACCESSORIES MOUNTING



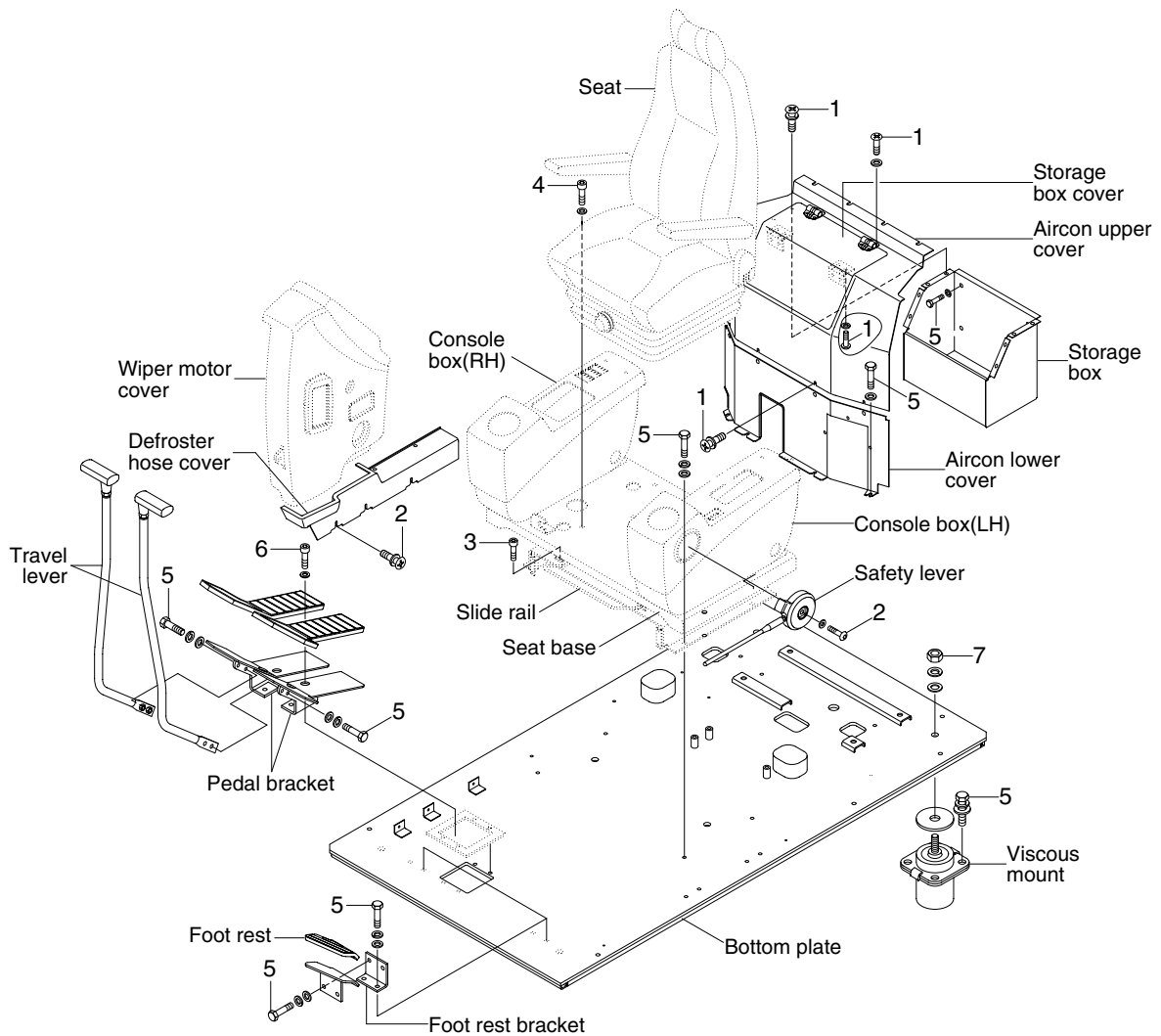
36079CM09

### · Tightening torque

| Item | Size     | kgf · m  | lbf · ft |
|------|----------|----------|----------|
| 1    | M 6×1.0  | 0.49±0.1 | 3.5±0.7  |
| 2    | M 8×1.25 | 2.5±0.5  | 18.1±3.6 |
| 3    | M10×1.5  | 4.7±0.9  | 34±6.5   |

| Item | Size     | kgf · m  | lbf · ft  |
|------|----------|----------|-----------|
| 4    | M10×1.5  | 6.9±1.4  | 49.9±10.1 |
| 5    | M12×1.75 | 12.8±3.0 | 92.6±21.7 |
| 6    | M16×2.0  | 29.7±4.5 | 215±32.5  |

# CAB INTERIOR MOUNTING



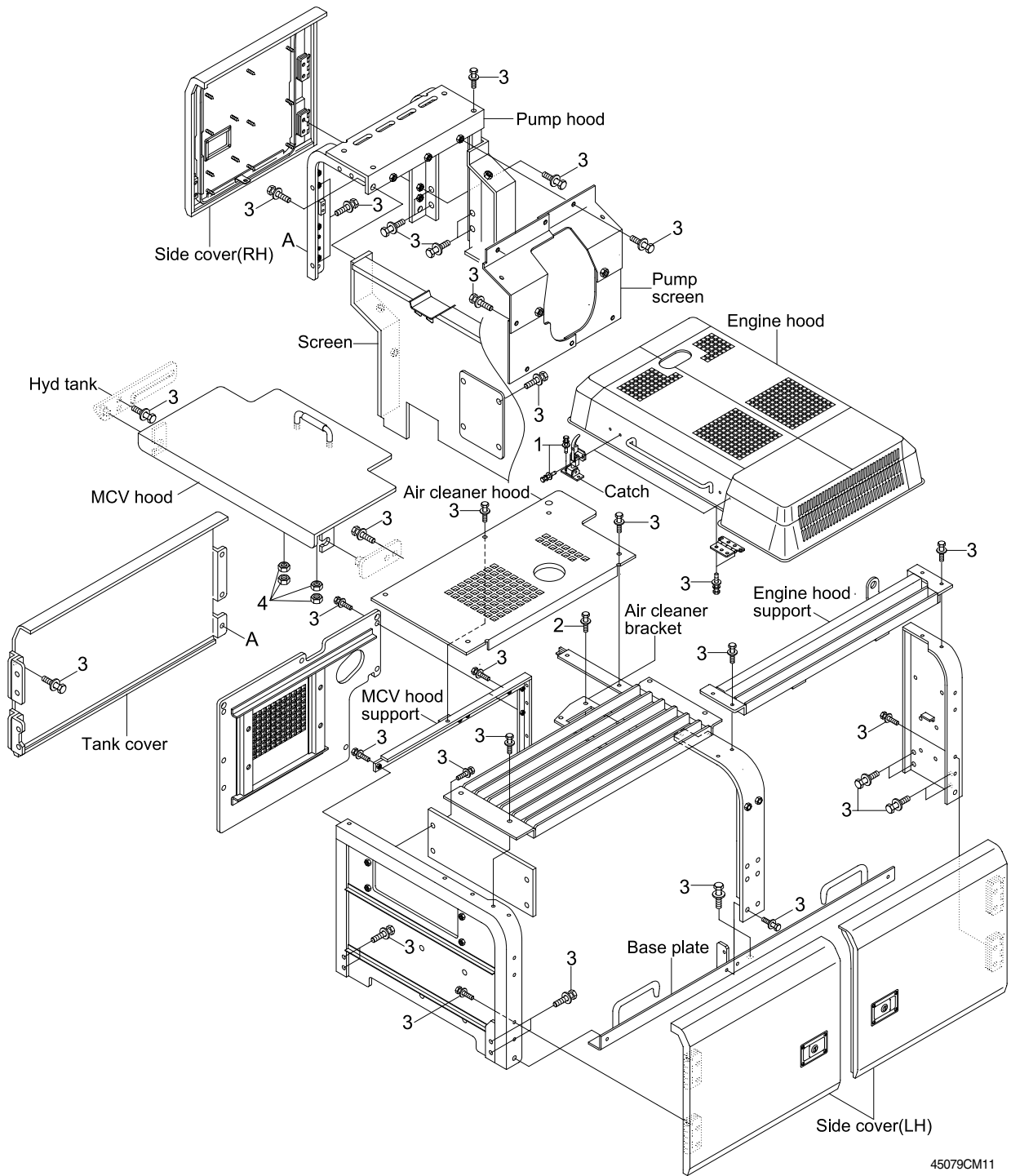
36079CM10

## • Tightening torque

| Item | Size     | kgf · m  | lbf · ft |
|------|----------|----------|----------|
| 1    | M 6×1.0  | 0.49±0.1 | 3.5±0.7  |
| 2    | M 6×1.0  | 1.05±0.2 | 7.6±1.4  |
| 3    | M 8×1.25 | 3.43±0.7 | 24.8±5.1 |
| 4    | M 8×1.25 | 2.5±0.5  | 18.1±3.6 |

| Item | Size    | kgf · m  | lbf · ft  |
|------|---------|----------|-----------|
| 5    | M10×1.5 | 6.9±1.4  | 49.9±10.1 |
| 6    | M10×1.5 | 8.27±1.7 | 59.8±12.3 |
| 7    | M16×2.0 | 29.7±4.5 | 215±32.5  |
| -    | -       | -        | -         |

# COWLING MOUNTING

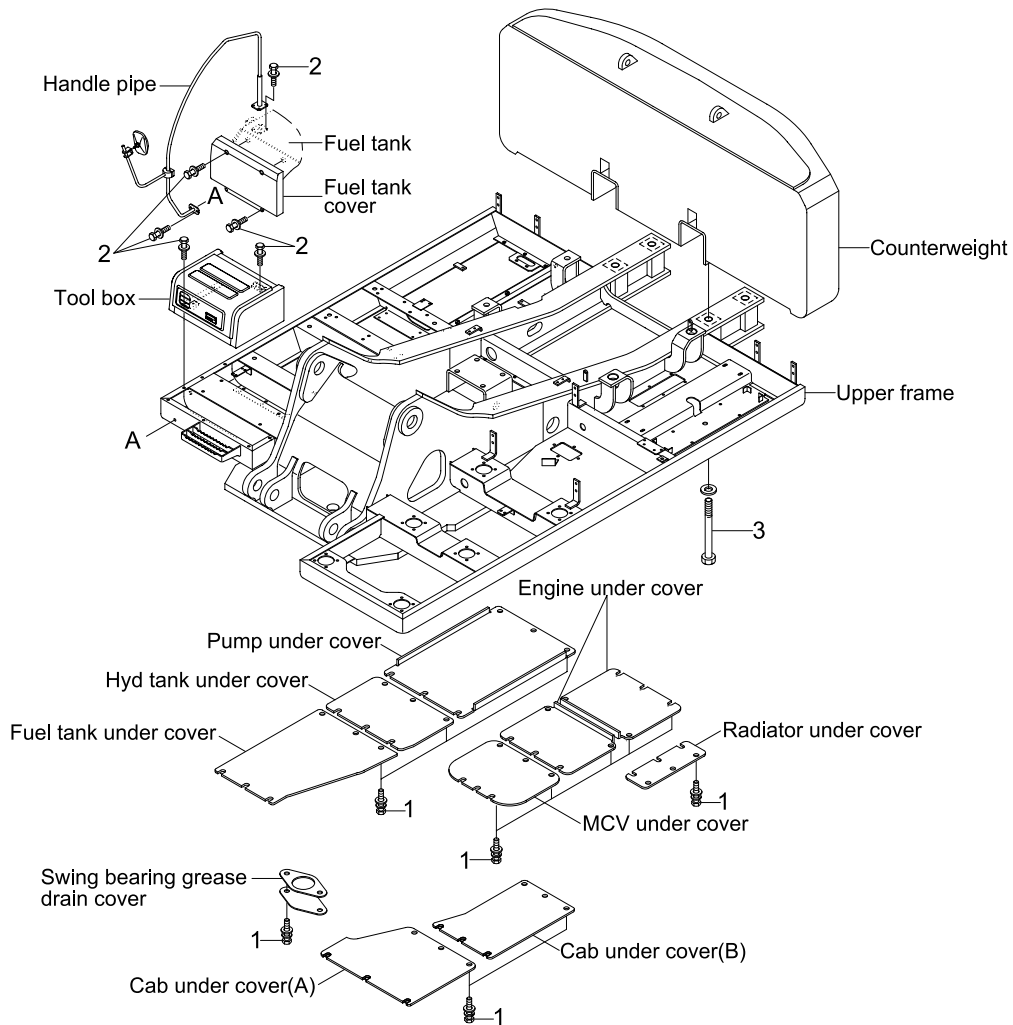


## · Tightening torque

| Item | Size     | kgf · m | lbf · ft  |
|------|----------|---------|-----------|
| 1    | M 8×1.25 | 2.5±0.5 | 18.1±3.6  |
| 2    | M10×1.5  | 6.9±1.4 | 49.9±10.1 |

| Item | Size     | kgf · m  | lbf · ft  |
|------|----------|----------|-----------|
| 3    | M12×1.75 | 12.8±3.0 | 92.6±21.7 |
| 4    | M16×2.0  | 29.7±4.5 | 215±32.5  |

## COUNTERWEIGHT AND COVERS MOUNTING



45079CM12

### · Tightening torque

| Item | Size     | kgf · m  | lbf · ft  |
|------|----------|----------|-----------|
| 1    | M10×1.5  | 6.9±1.4  | 49.9±10.1 |
| 2    | M12×1.75 | 12.8±3.0 | 92.6±21.7 |

| Item | Size    | kgf · m | lbf · ft |
|------|---------|---------|----------|
| 3    | M42×4.5 | 390±40  | 2821±289 |
| -    | -       | -       | -        |