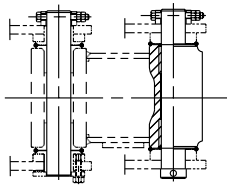
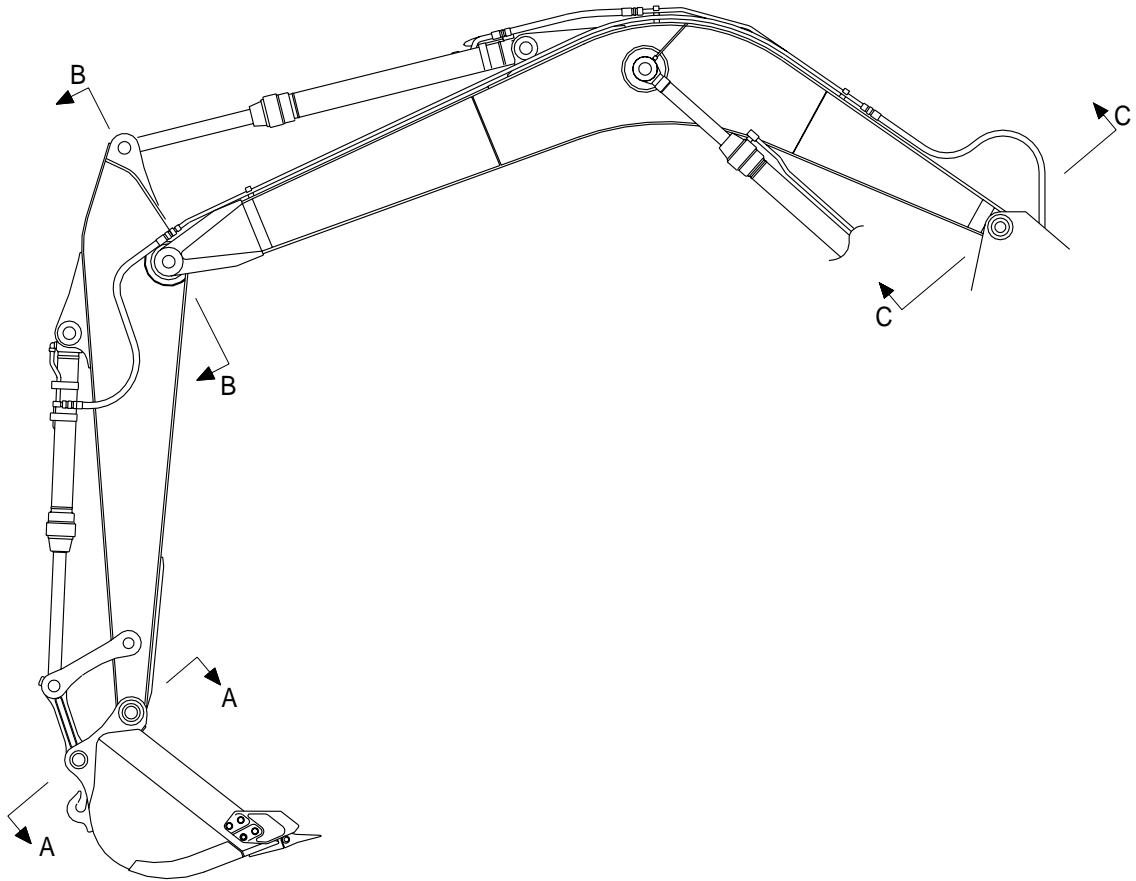
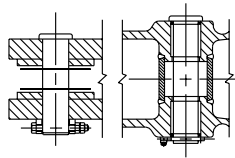


# GROUP 11 WORK EQUIPMENT

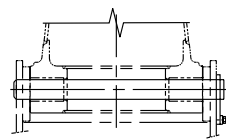
## 1. STRUCTURE



SECTION A



SECTION B



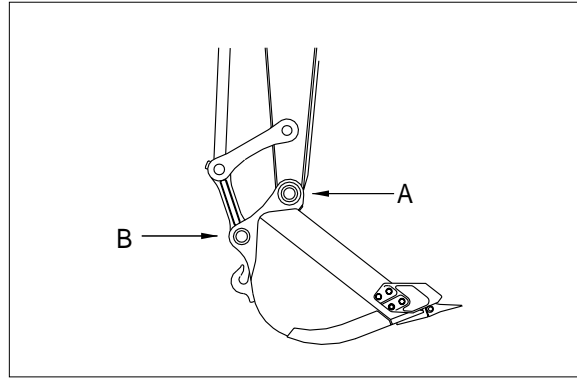
SECTION C

## 2. REMOVAL AND INSTALL

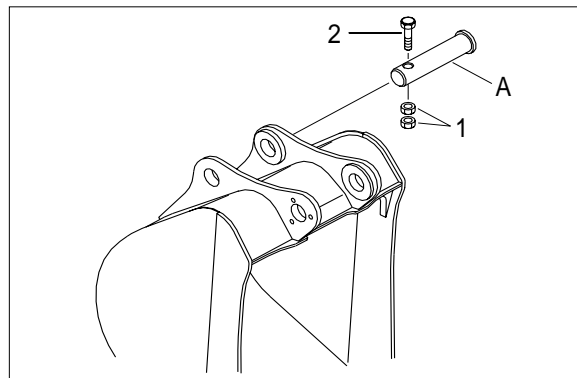
### 1) BUCKET ASSEMBLY

#### (1) Removal

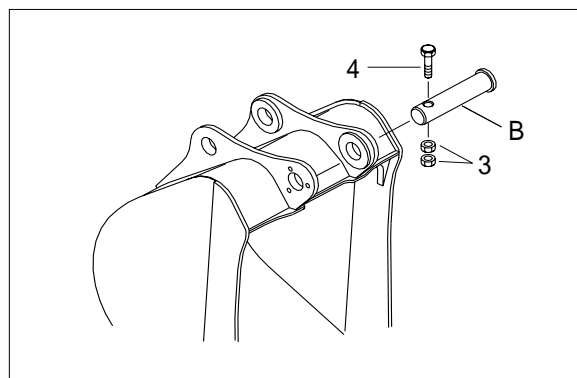
- ① Lower the work equipment completely to ground with back of bucket facing down.



- ② Remove nut(2), bolt(1) and draw out the pin(A).

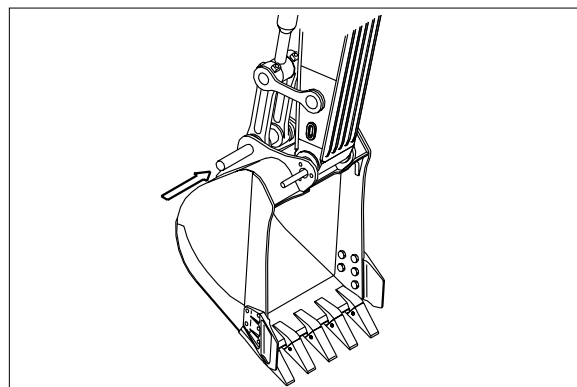


- ③ Remove nut(3), bolt(4) and draw out the pin(B).



#### (2) Install

- ① Carry out installation to the reverse order of removal.
- ▲ When aligning the mounting position of the pin, do not insert your fingers in the pin hole.
- ※ Adjust the bucket clearance.  
For detail, see **operator's manual**.



## 2) ARM ASSEMBLY

### (1) Removal

- ※ Operate the control levers and pedals several times to release the remaining pressure in the hydraulic piping.
- ※ Loosen the breather slowly to release the pressure inside the hydraulic tank.
- ▲ Escaping fluid under pressure can penetrate the skin causing serious injury.

① Remove bucket assembly.

For details, see **removal of bucket assembly**.

② Disconnect bucket cylinder hose(1).

- ▲ Fit blind plugs in the piping at the chassis end securely to prevent oil from spurting out when the engine is started.

③ Sling arm cylinder assembly, remove spring, pin stopper and pull out pin.

- ※ Tie the rod with wire to prevent it from coming out.

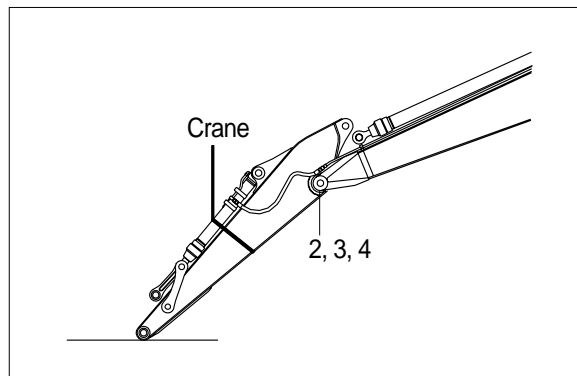
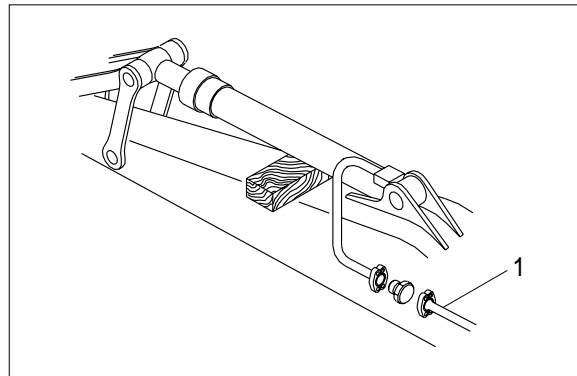
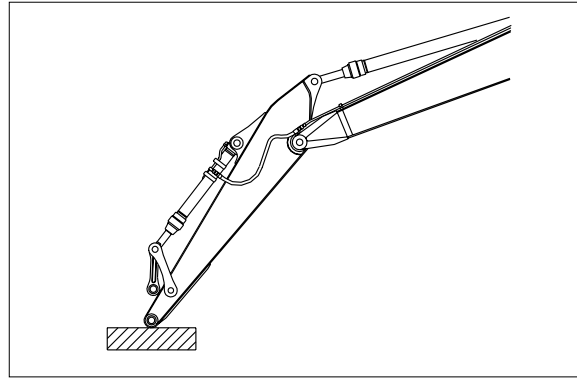
For details, see **removal of arm cylinder assembly**.

④ Place a wooden block under the cylinder and bring the cylinder down to it.

⑤ Remove nut(3), bolt(2) and pull out the pin(4) then remove the arm assembly.

· Weight : 2120kg(4680lb)

- ※ When lifting the arm assembly, always lift the center of gravity.



### (2) Install

① Carry out installation in the reverse order to removal.

- ▲ When lifting the arm assembly, always lift the center of gravity.

- ※ Bleed the air from the cylinder.

### 3) BOOM CYLINDER

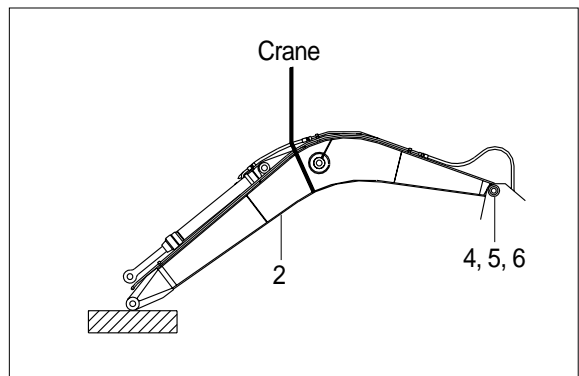
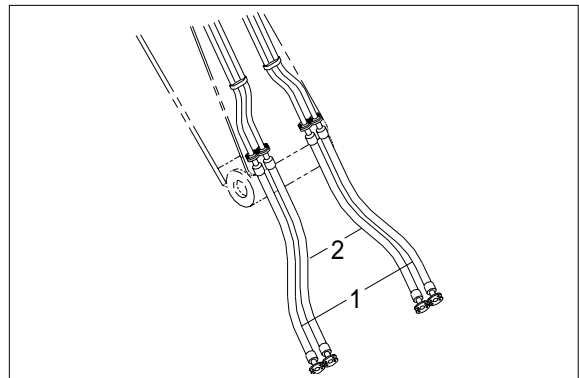
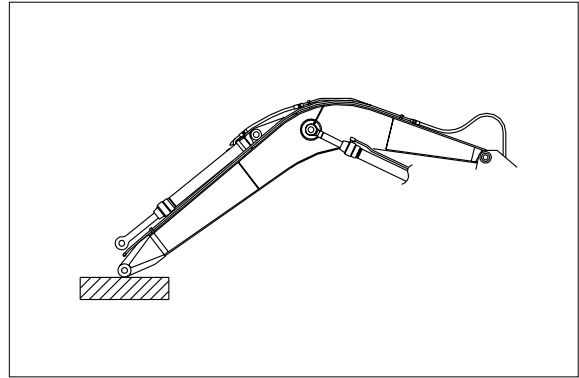
#### (1) Removal

- ※ Operate the control levers and pedals several times to release the remaining pressure in the hydraulic piping.
- ※ Loosen the breather slowly to release the pressure inside the hydraulic tank.
- ▲ Escaping fluid under pressure can penetrate the skin causing serious injury.

- ① Remove arm and bucket assembly  
For details, see **removal of arm and bucket assembly**.
- ② Remove boom cylinder assembly from boom.  
For details, see **removal of arm cylinder assembly**.

- ③ Disconnect head lamp wiring.
- ④ Disconnect bucket cylinder hose(2) and arm cylinder hose(1).
  - ※ When the hose are disconnected, oil may spurt out.
- ⑤ Sling boom assembly.

- ⑥ Remove bolt(4), nut(5) and pull out the pin(6) then remove boom assembly.
  - Weight : 3300kg(7270lb)
  - ※ When lifting the boom assembly always lift the center of gravity.



**(2) Install**

- ① Carry out installation to the reverse order of removal.
- ▲ When lifting the arm assembly, always lift the center of gravity.
- ※ Bleed the air from the cylinder.

