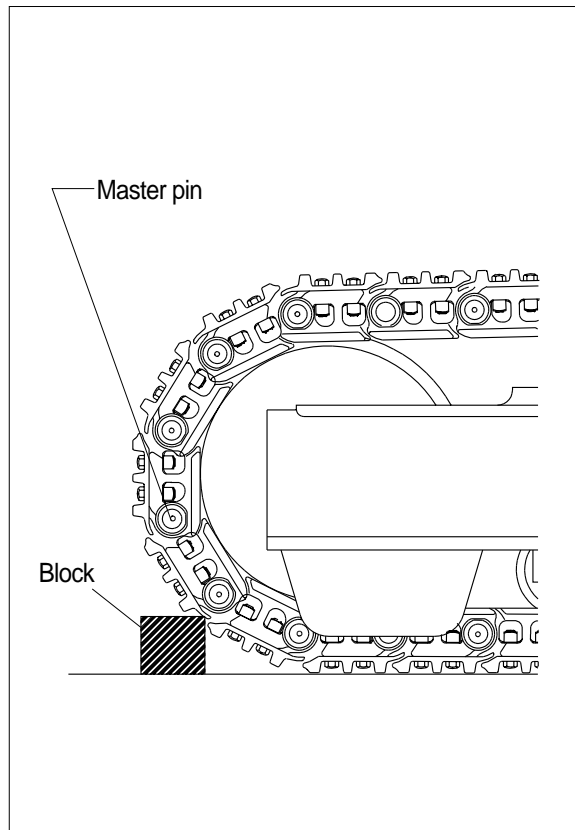


GROUP 10 UNDERCARRIAGE

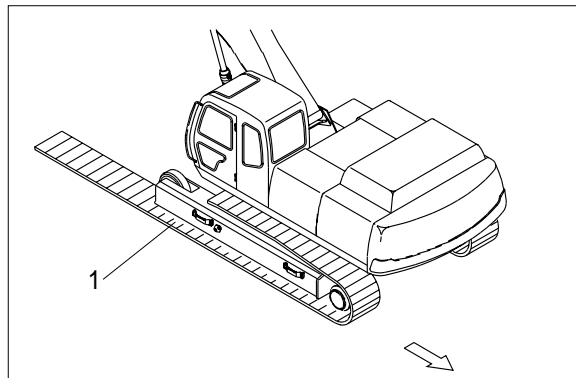
1. TRACK LINK

1) REMOVAL

- (1) Move track link until master pin is over front idler in the position and put wooden block as shown.
- (2) Loosen tension of the track link.
 - ※ If track tension is not relieved when the grease valve is loosened, move the machine backwards and forwards.
- (3) Push out master pin by using a suitable tool.

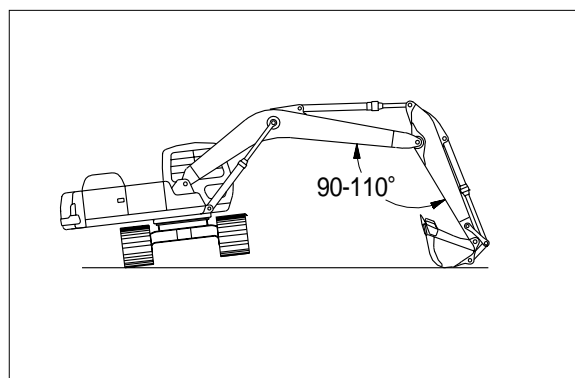


- (4) Move the machine slowly in reverse, and lay out track link assembly (1).
 - ※ Jack up the machine and put wooden block under the machine.
 - ※ Don't get close to the sprocket side as the track shoe plate may fall down on your feet.



2) INSTALL

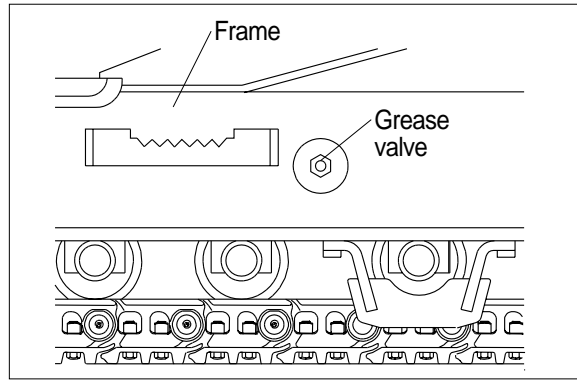
- (1) Carry out installation to the reverse order of removal.
 - ※ Adjust the tension of the track link.



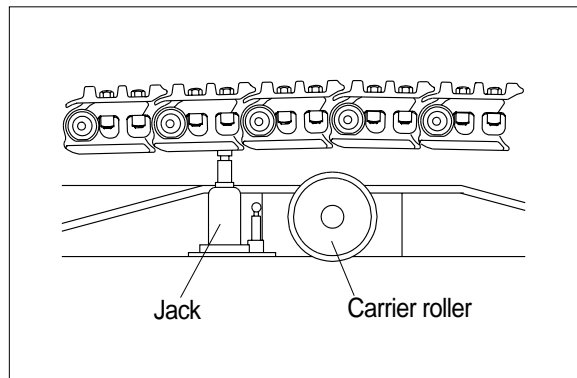
2. CARRIER ROLLER

1) REMOVAL

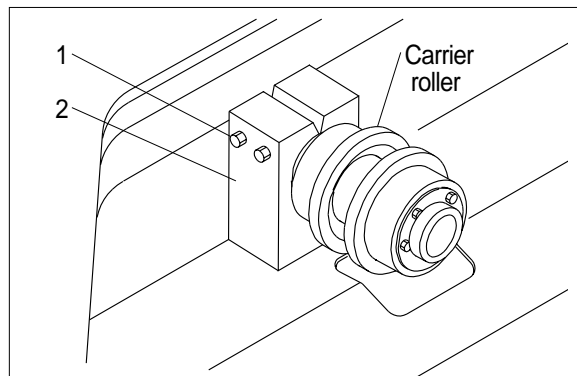
- (1) Loosen tension of the track link.



- (2) Jack up the track link height enough to permit carrier roller removal.



- (3) Loosen the lock nut (1).
- (4) Open bracket(2) with a screwdriver, push out from inside, and remove carrier roller assembly.
 - Weight : 40.6kg(89.5lb)



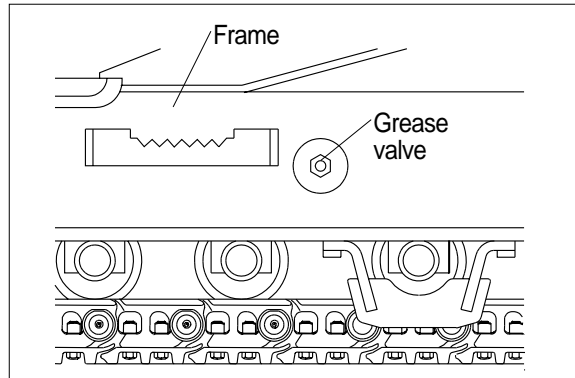
2) INSTALL

- (1) Carry out installation to the reverse order of removal.

3. TRACK ROLLER

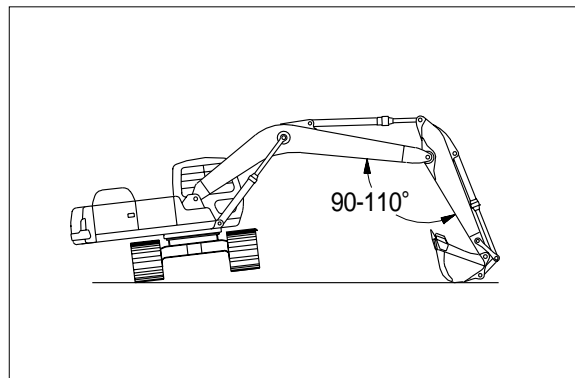
1) REMOVAL

(1) Loosen tension of the track link.



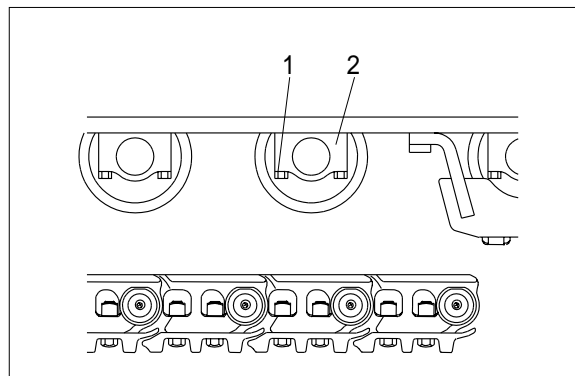
(2) Using the work equipment, push up track frame on side which is to be removed.

※ After jack up the machine, set a block under the unit.



(3) Remove the mounting bolt(1) and draw out the track roller(2).

· Weight : 77.5kg(170.9lb)



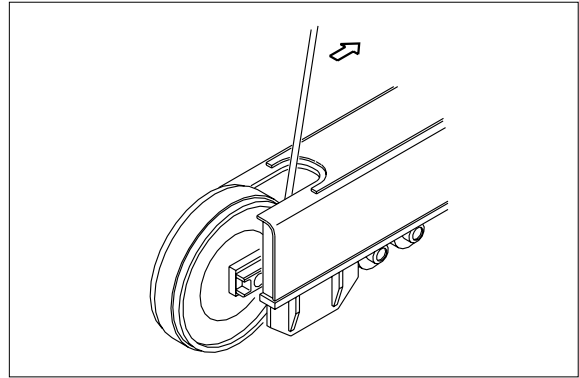
2) INSTALL

(1) Carry out installation to the reverse order of removal.

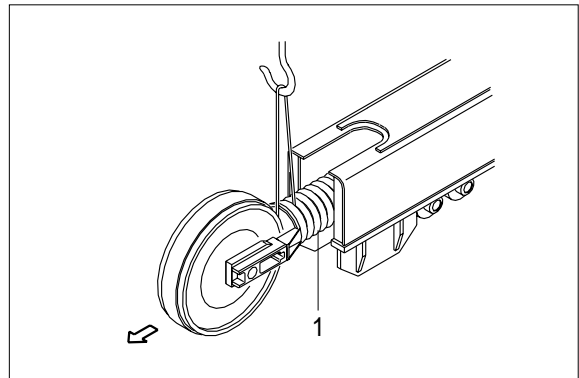
4. IDLER AND RECOIL SPRING

1) REMOVAL

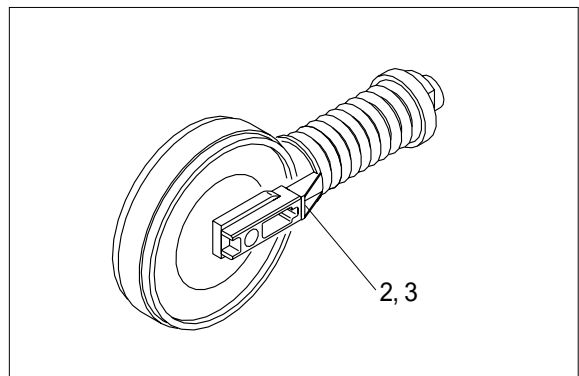
- (1) Remove the track link.
For detail, see **removal of track link**



- (2) Sling the recoil spring(1) and pull out idler and recoil spring assembly from track frame, using a pry.
· Weight : 320kg(705lb)

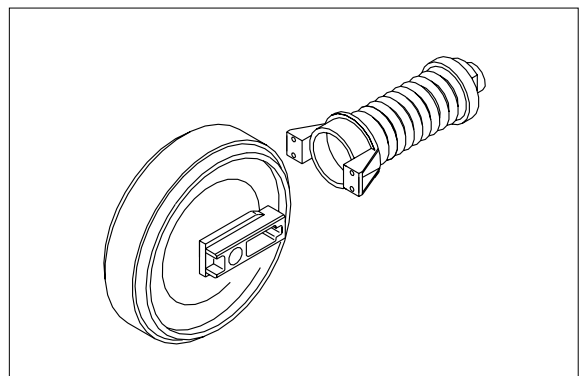


- (3) Remove the bolts(2), washers(3) and separate idler from recoil spring.



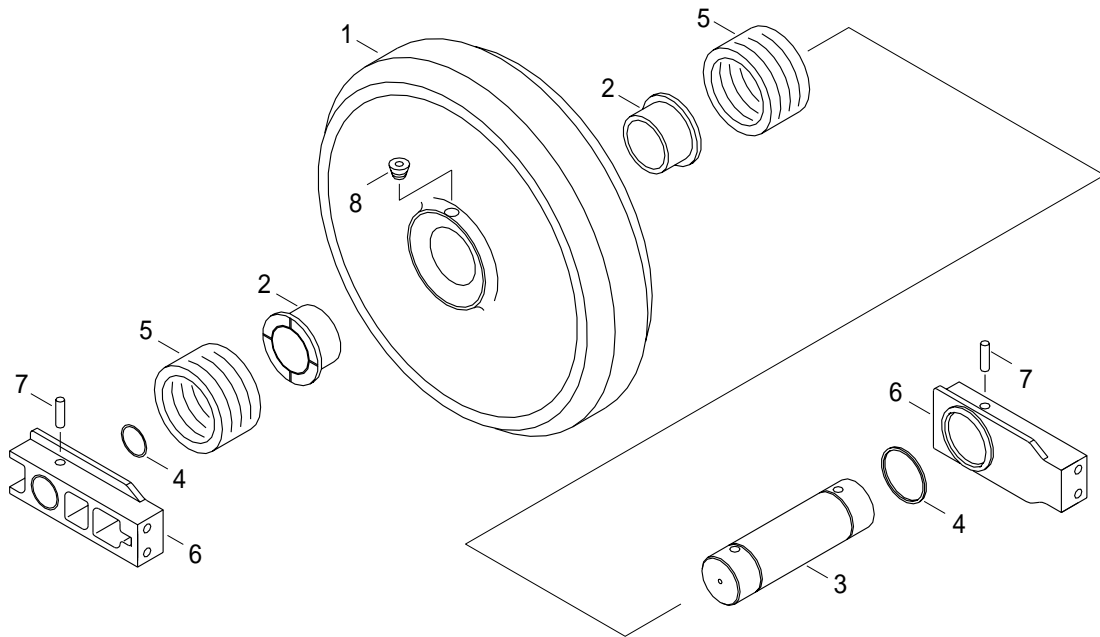
2) INSTALL

- (1) Carry out installation to the reverse order of removal.
※ **Make sure that the boss on the end face of the recoil cylinder rod is in the hole of the track frame.**



3) DISASSEMBLY AND ASSEMBLY OF IDLER

(1) Structure



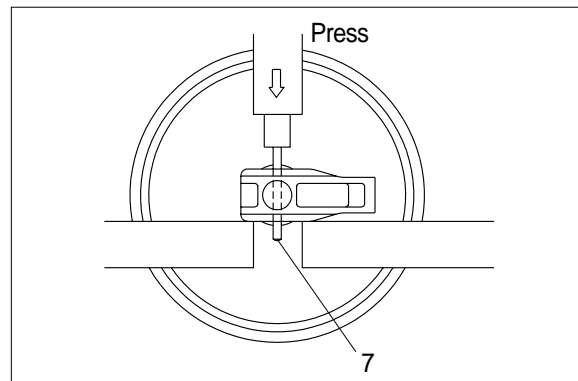
- 1 Shell
- 2 Bushing
- 3 Shaft

- 4 O-ring
- 5 Seal assembly
- 6 Bracket

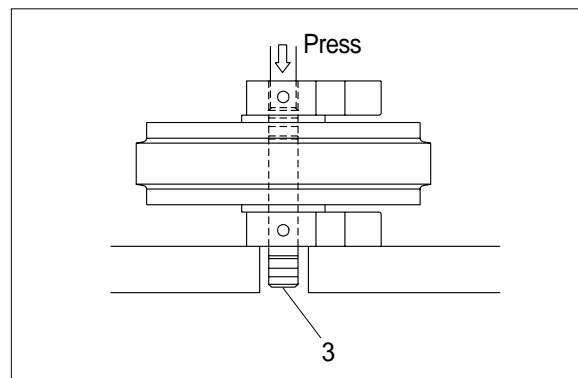
- 7 Spring pin
- 8 Plug

(2) Disassembly

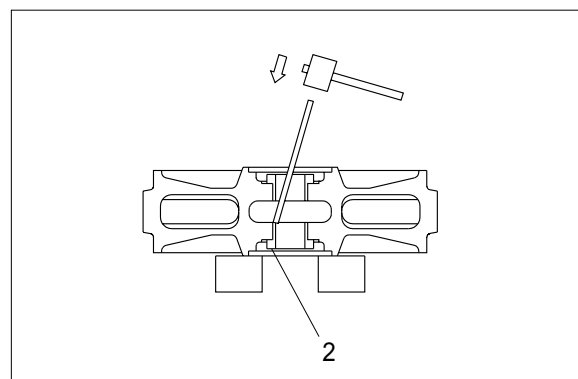
- ① Remove plug and drain oil.
- ② Draw out the spring pin(7), using a press.



- ③ Pull out the shaft(3) with a press.
- ④ Remove seal(5) and bracket from shell(1).
- ⑤ Remove O-ring(4) from shaft.



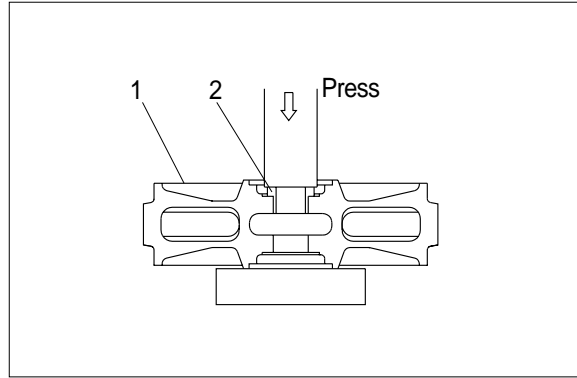
- ⑥ Remove the bushing(2) from shell, using a special tool.
- ※ Only remove bushing if replacement is necessary.



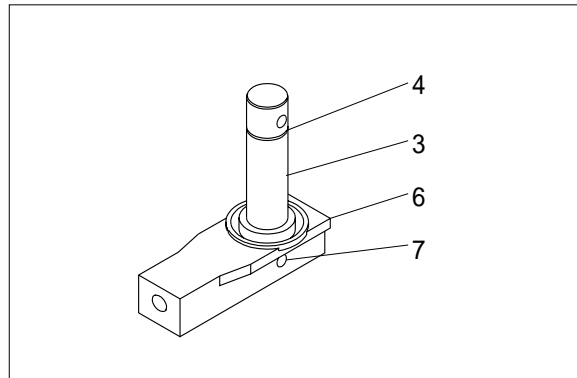
(3) Assembly

- ※ Before assembly, clean the parts.
- ※ Coat the sliding surfaces of all parts with oil.

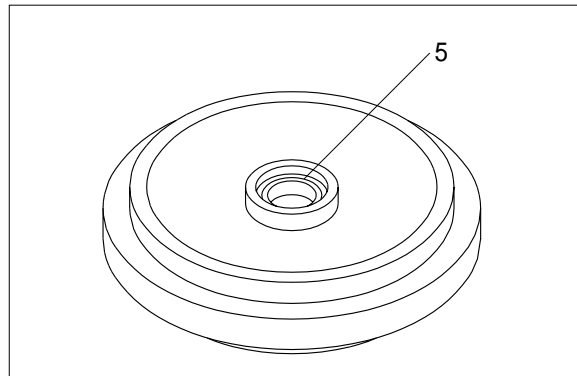
- ① Cool up bushing(2) fully by some dry ice and press it into shell(1).
Do not press it at the normal temperature, or not knock in with a hammer even after the cooling.



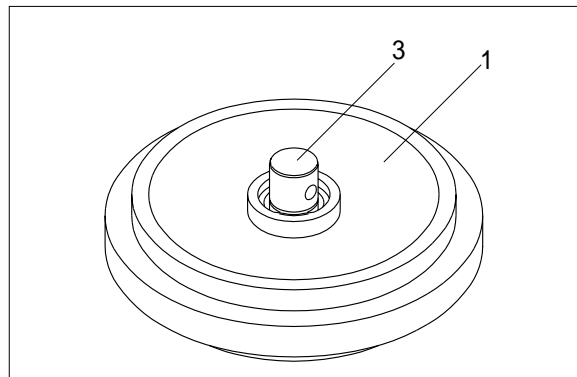
- ② Coat O-ring(4) with grease thinly, and install it to shaft(3).
③ Insert shaft(3) into bracket(6), and drive in the spring pin(7).



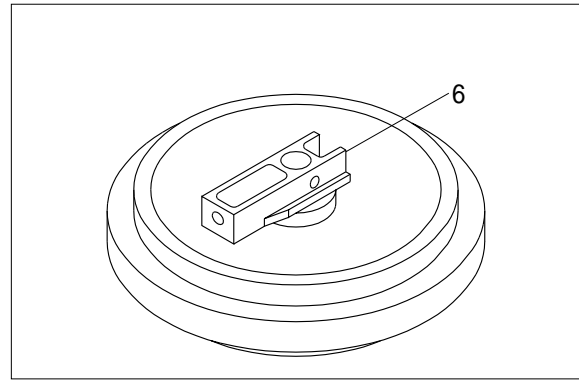
- ④ Install seal(5) to shell(1) and bracket(6) to shell(1).



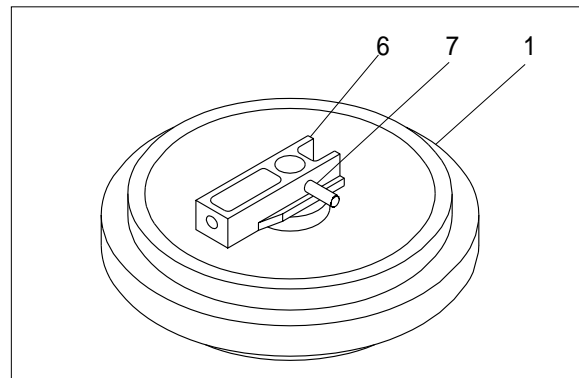
- ⑤ Install shaft(3) to shell(1).



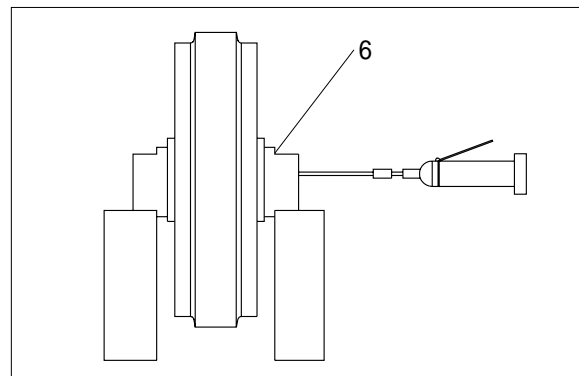
⑥ Install bracket(6) attached with seal(5).



⑦ Knock in the spring pin(7) with a hammer.

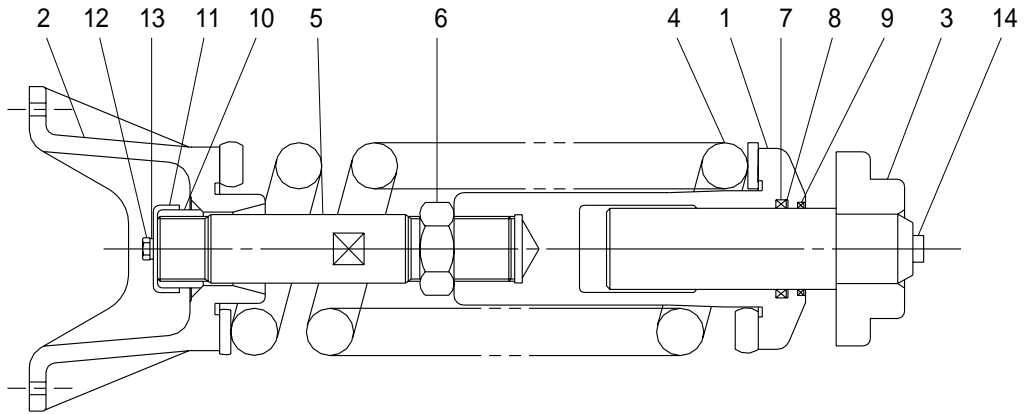


⑧ Lay bracket(6) on its side.
Supply engine oil to the specified level,
and tighten plug.



4) DISASSEMBLY AND ASSEMBLY OF RECOIL SPRING

(1) Structure



- | | | | | | |
|---|-------------|----|--------------|----|---------------|
| 1 | Body | 6 | Nut | 11 | Plate |
| 2 | Bracket | 7 | Rod packing | 12 | Bolt |
| 3 | Rod | 8 | Back up ring | 13 | Spring washer |
| 4 | Spring | 9 | Dust seal | 14 | Grease valve |
| 5 | Tension rod | 10 | Nut | | |

(2) Disassembly

① Apply pressure on spring(4) with a press.

※ The spring is under a large installed load. This is dangerous, so be sure to set properly.

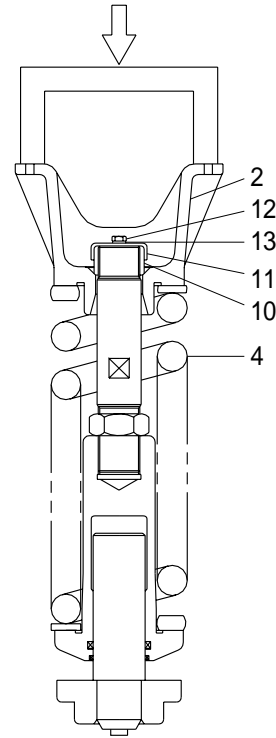
Spring set load : 37375kg (82506 lb)

② Remove bolt(12), spring washer(13) and plate(11).

③ Remove nut(10).

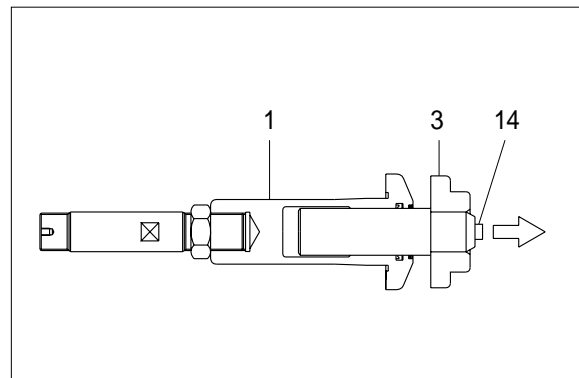
Take enough notice so that the press which pushes down the spring, should not be slipped out in its operation.

④ Lighten the press load slowly, and remove bracket(2) and spring(4).

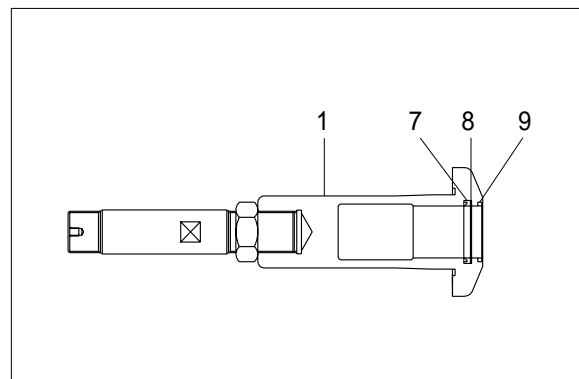


⑤ Remove rod(3) from body(1).

⑥ Remove grease valve(14) from rod(12).



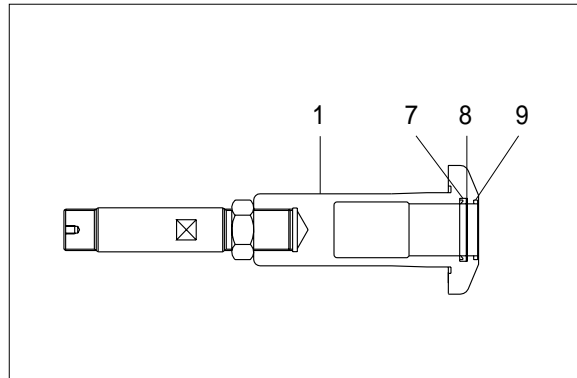
⑦ Remove dust seal(9), back up ring(8) and rod packing(7).



(3) Assembly

① Install rod packing(7), back up ring(8) and dust seal(9)to body(1).

※ When installing packing(7) and dust seal (9), take full care so as not to damage the lip.



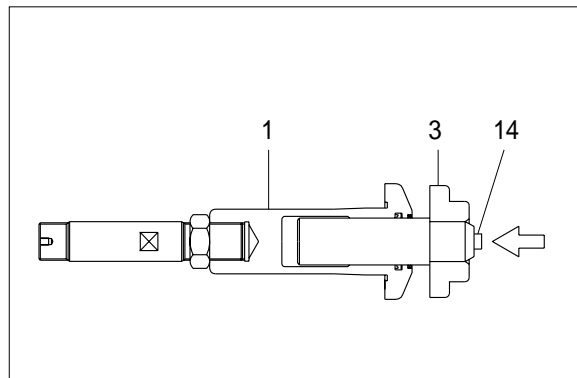
② Pour grease into body(1), then push in rod(3) by hand.

After take grease out of grease valve mounting hole, let air out.

※ If air letting is not sufficient, it may be difficult to adjust the tension of crawler.

③ Fit grease valve(14) to rod(3).

Tightening torque : $18 \pm 2 \text{ kg} \cdot \text{m}$
($130.2 \pm 14.5 \text{ lb} \cdot \text{ft}$)

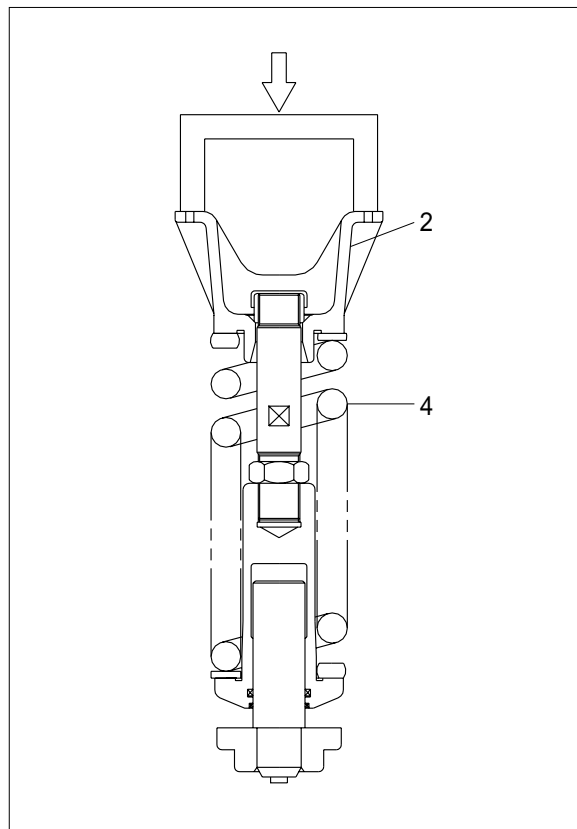


④ Install spring(4) and bracket(2) to body (1).

⑤ Apply pressure to spring(4) with a press and tighten nut(10).

※ Apply sealant before assembling.

※ During the operation, pay attention specially to prevent the press from slipping out.



- ⑥ Lighten the press load and confirm the set length of spring(4).
- ⑦ After the setting of spring(4), install plate(11), spring washer(13) and bolt (12).

