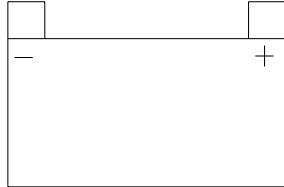
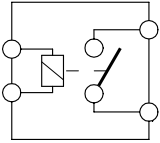
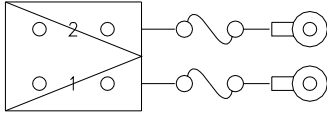
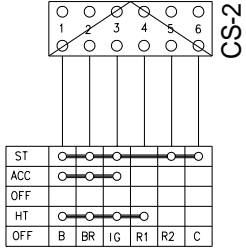
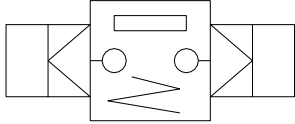
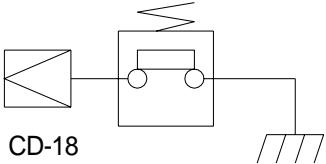
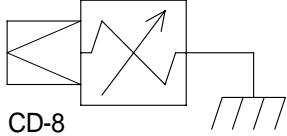
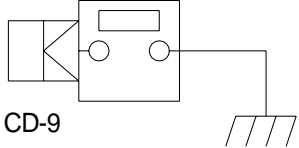
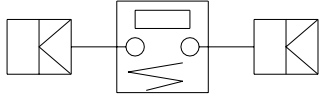
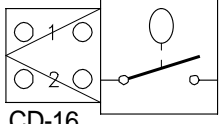
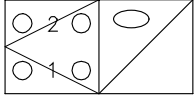
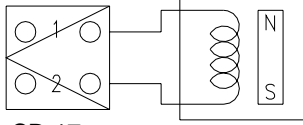
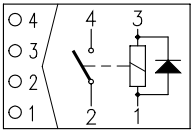
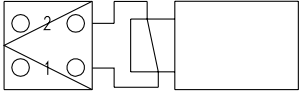
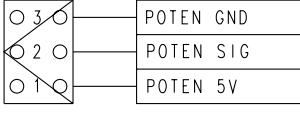
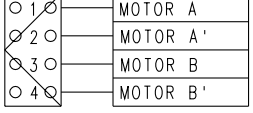
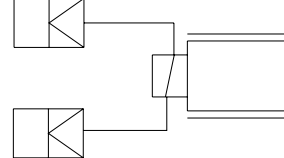
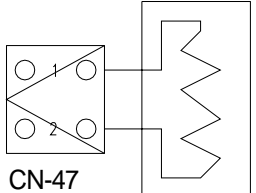
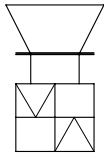
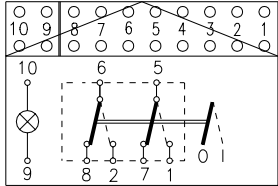
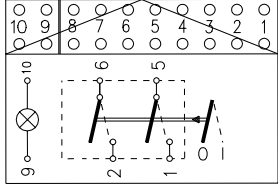
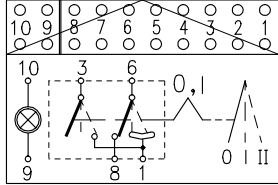
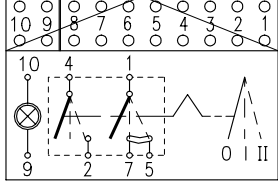
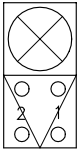


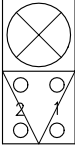
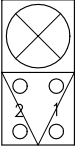
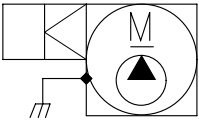
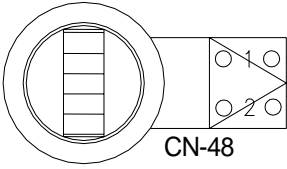
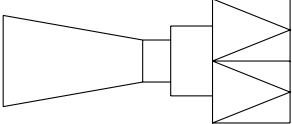
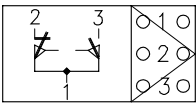
GROUP 4 ELECTRICAL COMPONENT SPECIFICATION

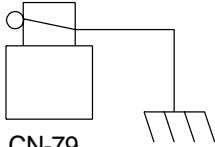
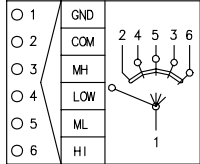
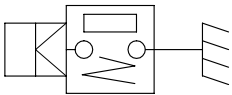
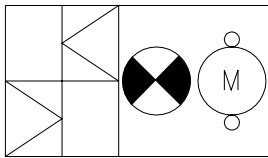
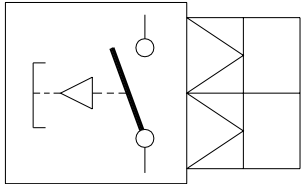
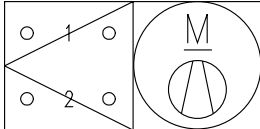
Part name	Symbol	Specifications	Check
Battery		12V × 100Ah (2EA)	※ Check specific gravity 1.280 over : Over charged 1.280 ~ 1.250 : Normal 1.250 below : Recharging
Battery relay	 <p style="text-align: center;">CR-1</p>	Rated load : 24V 100A(continuity) 1000A(30seconds)	※ Check coil resistance (M4 to M4) Normal : About 50 Ω ※ Check contact Normal : ∞ Ω
Fusible link	 <p style="text-align: center;">CN-60</p>	24V 60A	※ Check disconnection Normal : About 0 Ω (connect ring terminal and check resist between terminal 1 and 2)
Start key		-	※ Check contact OFF : ∞ Ω (for each terminal) ON : 0 Ω (for terminal 1-3) ∞ Ω (for terminal 1-5) START : 0 Ω (for terminal 1-3 and 1-5)
Pressure switch	 <p style="text-align: center;">CD-11, CD-12 CD-24, CD-34~CD-36</p>	4~6kg/cm ² (N.O TYPE)	※ Check contact Normal : ∞ Ω
Pressure	 <p style="text-align: center;">CD-18</p>	0.5 kg/cm ² (N.C TYPE)	※ Check resistance Normal:0 Ω

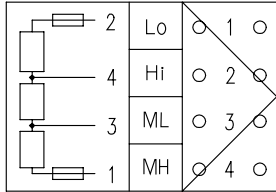
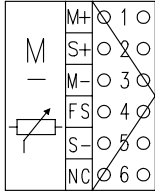
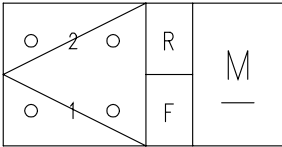
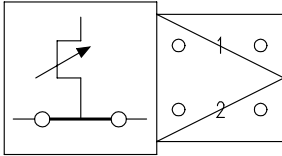
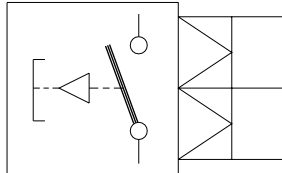
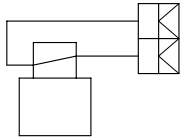
Part name	Symbol	Specifications	Check
Coolant temperature sensor	 <p>CD-8</p>	-	※ Check resistance 50°C : 153.9 Ω 80°C : 51.9 Ω 100°C : 27.4 Ω
Coolant overheat sensor	 <p>CD-9</p>	-	※ Check resistance Normal : ∞ Ω 105°C over : 0 Ω
Air cleaner pressure switch	 <p>CD-10</p>	Pressure: 635mm H ₂ O (N.O TYPE)	※ Check contact Normal: ∞ Ω
Coolant level sensor	 <p>CD-16</p>	-	※ Check contact High level : ∞ Ω Low level : 0 Ω
Fuel sender	 <p>CD-2</p>	-	※ Check resistance Full : 3 Ω 5/6 : 25 Ω 4/6 : 35 Ω 3/6 : 68 Ω 2/6 : 95 Ω 1/6 : 110 Ω Empty warning : 180 Ω
Tacho sensor	 <p>CD-17</p>	-	※ Check resistance Normal:Max 300 Ω

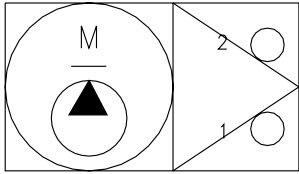
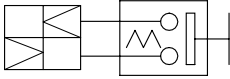
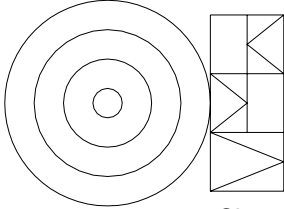
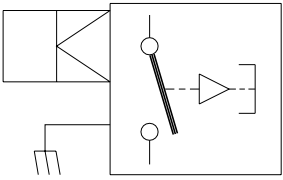
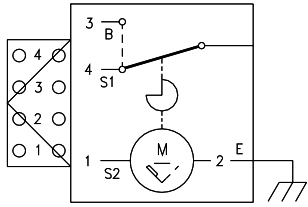
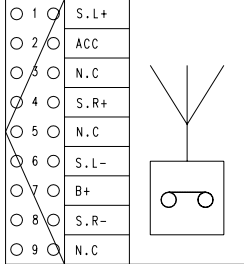
Part name	Symbol	Specifications	Check
Relay	 <p>CR-2, CR-3 AC RY1, AC RY2</p>	-	<p>※ Check resistance Normal : About 400 Ω (for terminal 1-3) : ∞ Ω (for terminal 2-4)</p>
Solenoid valve	 <p>CN-66, CN-68, CN-70, CN-86~CN-89</p>	24V 1A	<p>※ Check resistance Normal : 21.2 Ω (for terminal 1-2)</p>
Potentiometer	 <p>CN-77</p>	-	<p>※ Check resistance Normal : About 5kΩ (for terminal 1-3) : 0.6kΩ ~5kΩ (for terminal 2-3)</p>
Governor motor	 <p>CN-76</p>	-	<p>※ Check resistance Normal : 5~6 Ω (for terminal 1-2) : 5~6 Ω (for terminal 3-4)</p>
EPPR valve	 <p>CN-75</p>	24V	<p>※ Check resistance Normal : 18~25 Ω (for terminal 1-2)</p>
Resistor	 <p>CN-47</p>	50 Ω 20W	<p>※ Check resistance Normal : 50 Ω</p>

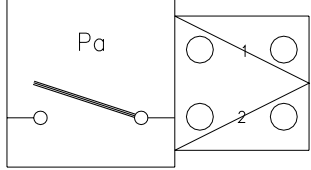
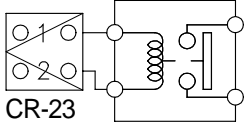
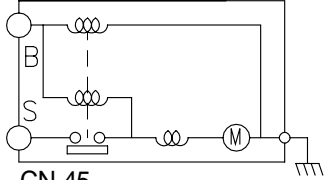
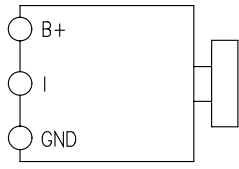
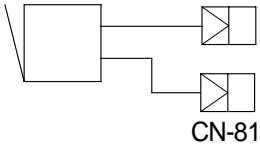
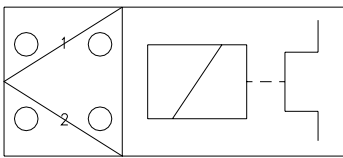
Part name	Symbol	Specifications	Check
Speaker	 <p>CN-23(LH), CN-24(RH)</p>	4 Ω 20~40W	※ Check resistance Normal : 7.5 Ω ※ Output sound pressure level : 95±2dB
Switch (Locking type)	 <p>CS-16, 23, 27, 47, 50, 54</p>	24V 8A	※ Check contact OFF : ∞ Ω (for terminal 1-5,2-6) 0 Ω (for terminal 5-7,6-8)
Switch (Non-locking type)	 <p>CS-22</p>	24V 8A	※ Check contact OFF : ∞ Ω (for terminal 1-5,2-6)
Wiper & Washer switch	 <p>CS-3</p>	24V 8A	※ Check contact OFF : ∞ Ω (for terminal 1-6) ∞ Ω (for terminal 6-8)
Main light switch	 <p>CS-21</p>	24V 8A	※ Check contact OFF : ∞ Ω (for terminal 1-5,2-4)
Head lamp	 <p>CL-3, CL-4</p>	24V 75W/70W (H4 TYPE)	※ Check disconnection Normal : A few Ω

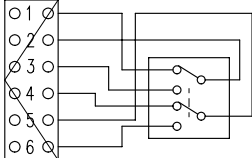
Part name	Symbol	Specifications	Check
Work lamp	 CL-5, CL-6	24V 75W/70W (H4 TYPE)	※ Check disconnection Normal : A few Ω
Room light	 CL-1	24V 10W	※ Check disconnection Normal : 0.4 Ω
Fuel filler pump	 CN-61	24V 10A 35 l /min	※ Check operation <ul style="list-style-type: none"> · Supply power(24V) to terminal 1 pin · Connect ring terminal with ground and switch turn ON
Hour meter	 CN-48	16-32V	※ Check operation <ul style="list-style-type: none"> · Supply power(24V) to terminal NO. 2 and connect terminal NO. 1 and ground
Horn	 CN-20, CN-25	22-28V 2A 1MΩ	※ Check operation <ul style="list-style-type: none"> · Supply power(24V) to each terminal and connect ground · Sound level : 110dB
Safety switch	 CS-4	24V 15A	※ Check contact <ul style="list-style-type: none"> Normal : 0 Ω (for terminal 1-2) : ∞ Ω (for terminal 1-3) Operating : ∞ Ω (for terminal 1-2) : 0 Ω (for terminal 1-3)

Part name	Symbol	Specifications	Check
Fuel cut-off	 <p>CN-79</p>	24V 25W	※ Check resistance Normal : 15~25 Ω
Blower switch	 <p>CS-17</p>	-	※ Check resistance LOW : 0 Ω (for terminal 1-4) ML : 0 Ω (for terminal 1-5) MH : 0 Ω (for terminal 1-3) MI : 0 Ω (for terminal 1-6) COM : 0 Ω (for terminal 1-2)
Hydraulic temperature	 <p>CD-1</p>	-	※ Check resistance 50°C : 153.9 Ω 80°C : 51.9 Ω 100°C : 27.4 Ω 120°C : 16.1 Ω
Beacon lamp	 <p>CL-7</p>	24V 70W (H1 TYPE)	※ Check disconnection Normal : A few Ω
Power boost switch	 <p>CS-29</p>	24V 6A	※ Check contact Normal : ∞ Ω
Blower	 <p>CN-31</p>	24V 11A	※ Check contact Normal : 0 Ω

Part name	Symbol	Specifications	Check
Aircon resistor	 <p>CN-130</p>	24V~28V	※ Check resistance Normal : 3.17 Ω (for terminal 1-3) 2.07 Ω (for terminal 3-4) 1.12 Ω (for terminal 4-2)
Mode actuator & Temp actuator	 <p>CN-132, CN-133</p>	9~16V 300mA MAX.	-
Intake actuator	 <p>CN-131</p>	12V	※ Check resistance Normal - 2.0 Ω (for terminal 1-2)
Thermostat	 <p>CN-134</p>	24V	※ Working temperature of contact point : AC ON → 4.5°C AC OFF → 1.5°C Differential of temperature → 3°C Rated input volt : 24V
Horn switch	 <p>CS-5</p>	24V 6A	※ Check contact Normal : 15 M Ω
Cold start aid	 <p>CN-78</p>	24V 15A	※ Check contact Normal : 1.1 Ω

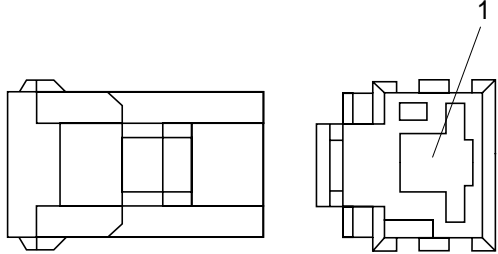
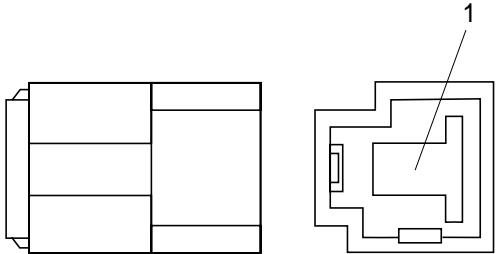
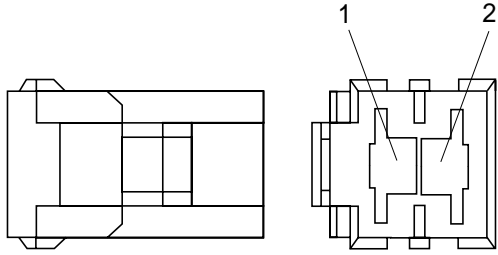
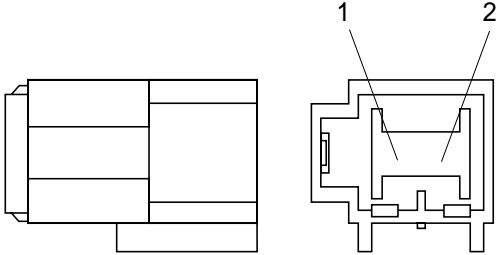
Part name	Symbol	Specifications	Check
Washer tank	 <p>CN-22</p>	24V 3.8A	※ Check contact Normal : 10.7 Ω (for terminal 1-2)
Pedal switch	 <p>CS-26</p>	24V 15A	※ Check contact Normal open : ∞ Ω (for terminal)
Cigar lighter	 <p>CL-2</p>	24V 5A BULB 1.4W	※ Check resistance Normal : 7.9~8.3 Ω Operating time : 5~15sec
Door switch	 <p>CS-1</p>	24V 20W	※ Check resistance Normal : ∞ Ω
Wiper motor	 <p>CN-21</p>	24V 2A	※ Check contact Normal : 10.5 Ω (for terminal 1-2) Wiper operating : 24V (for terminal 1-4) : 0V (for terminal 2-GND)
Cassette radio	 <p>CN-27</p>	24V 2A	※ Check contact Power ON : 15W+15W, 4 Ω +4 Ω (for terminal 1-6, 4-8) 24 ~ 27V (for terminal 7-GND, 2-GND)

Part name	Symbol	Specifications	Check
Receiver dryer	 <p>CN-29</p>	24V 2.5A	※ Check contact Normal : $\infty \Omega$
Start relay	 <p>CR-23</p>	24V 300A	※ Check contact Normal : 0.94Ω (for terminal 1-2)
Starter	 <p>CN-45</p>	Delco Remy 28MT 24V	※ Operating or not
Alternator	 <p>CN-74</p>	24V 60A	※ Check contact Normal : 0Ω (for terminal B ⁺ - I) Normal : 24 ~ 27.5V
Travel alarm	 <p>CN-81</p>	24V 0.5A	※ Check contact Normal : 5.2Ω
Compressor	 <p>CN-28</p>	24V 79W	※ Check contact Normal : 13.4Ω

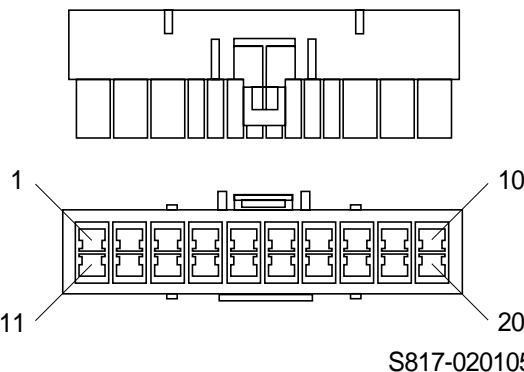
Part name	Symbol	Specifications	Check
Prolix switch (pump & swing)	 <p>CS-7, CS-32</p>	24 ~ 150V 15A	※ Check contact Normal : 0.2 Ω (for terminal 1-2) Emergency : 1.2 Ω (for terminal 2-3) : 5.2 Ω (for terminal 2-6) : 0 Ω (for terminal 5-6)

2. CONNECTION TABLE FOR CONNECTORS

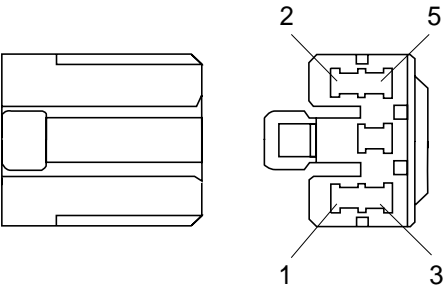
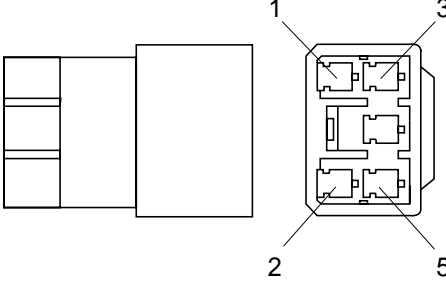
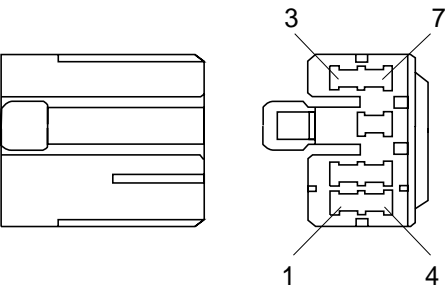
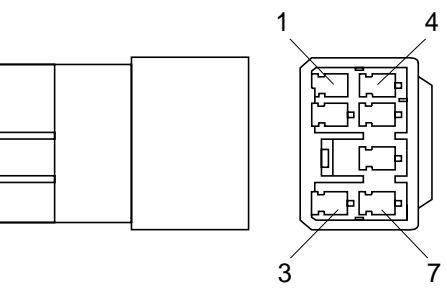
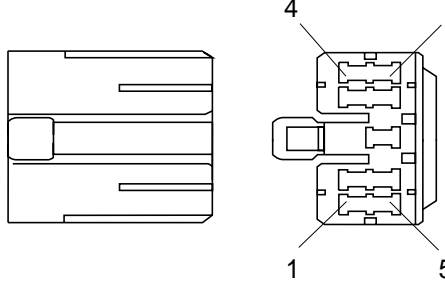
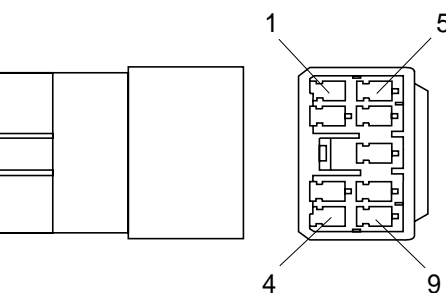
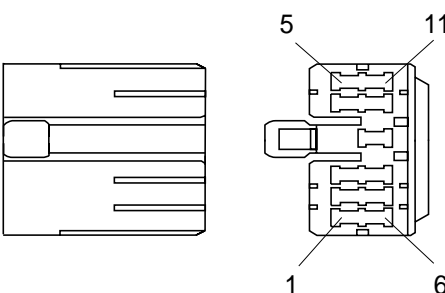
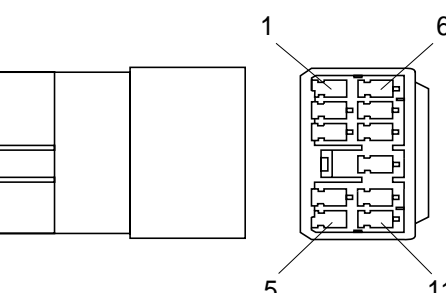
1) 58-L TYPE CONNECTOR

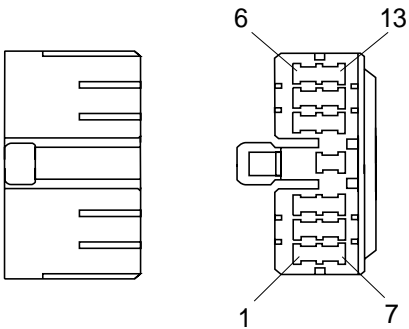
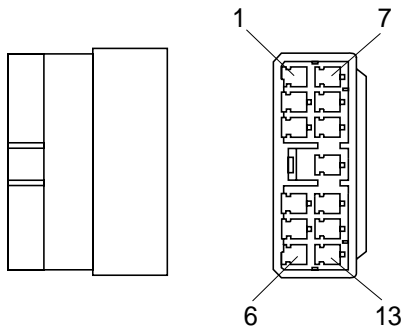
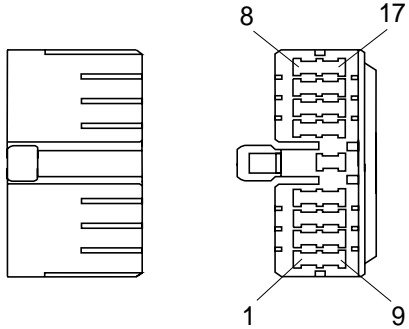
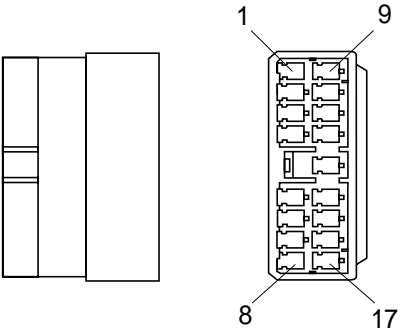
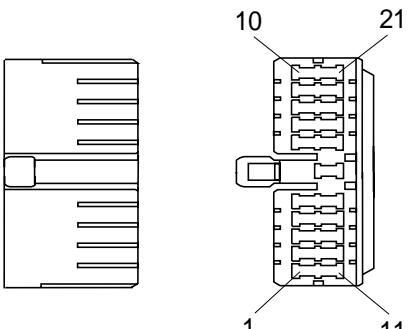
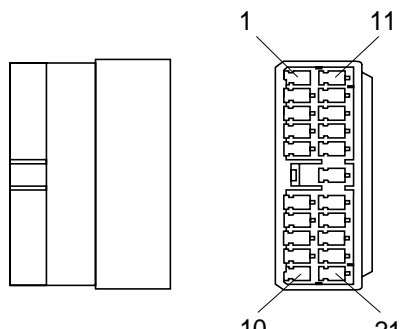
No. of pin	Receptacle connector(Female)	Plug connector(Male)
1	 <p data-bbox="703 736 852 768">S813-030100</p>	 <p data-bbox="1283 736 1431 768">S813-130100</p>
2	 <p data-bbox="708 1144 857 1176">S813-030200</p>	 <p data-bbox="1283 1144 1431 1176">S813-130200</p>

2) MULTILOCK TYPE CONNECTOR

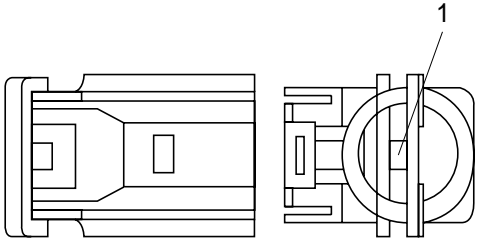
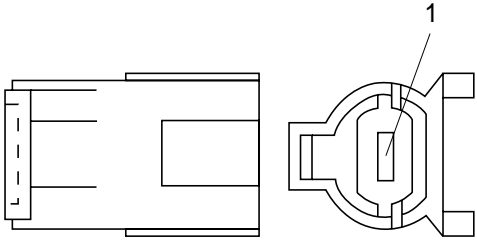
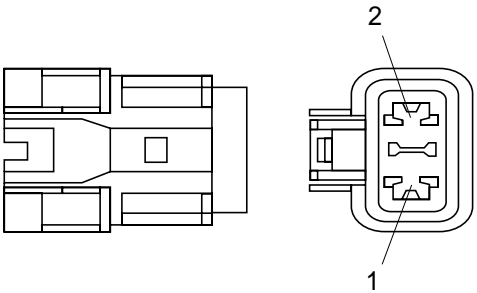
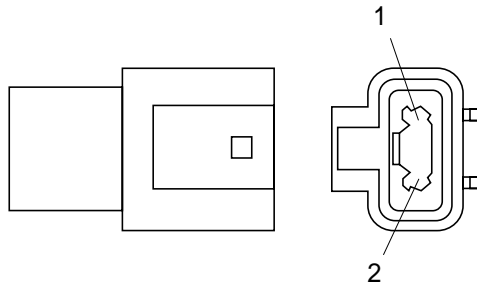
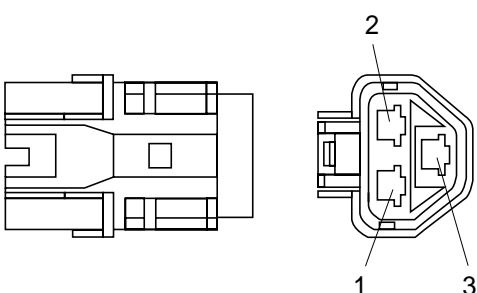
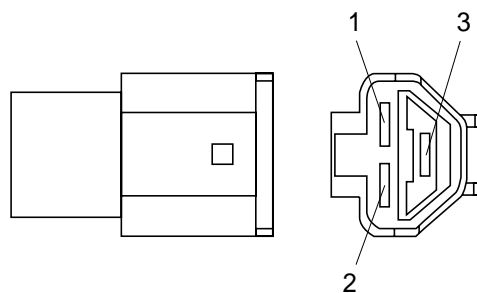
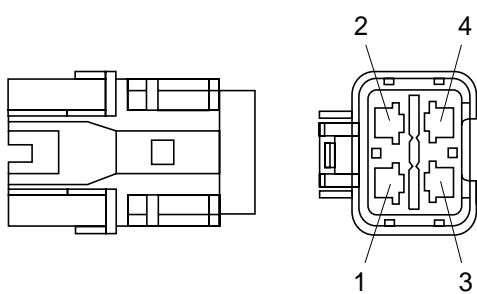
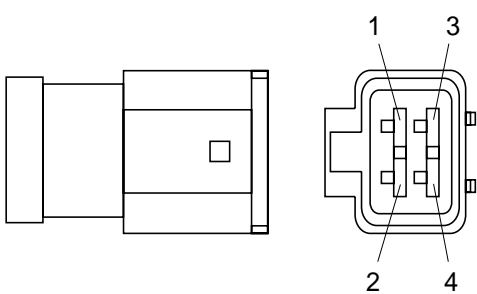
No. of pin	Receptacle connector(Female)	Plug connector(Male)
20	 <p style="text-align: right;">S817-020105</p>	

3) PA TYPE CONNECTOR

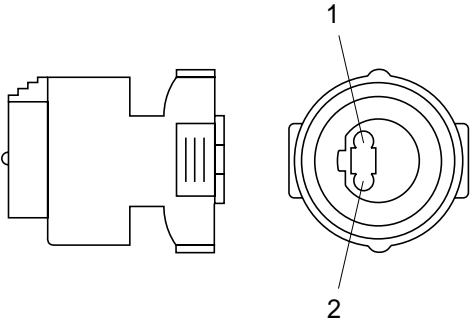
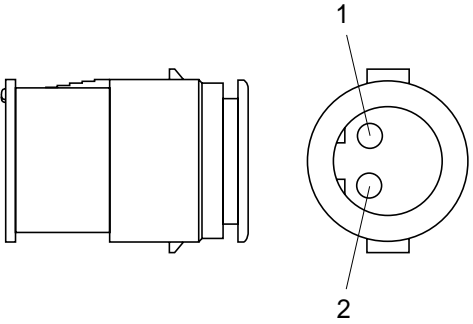
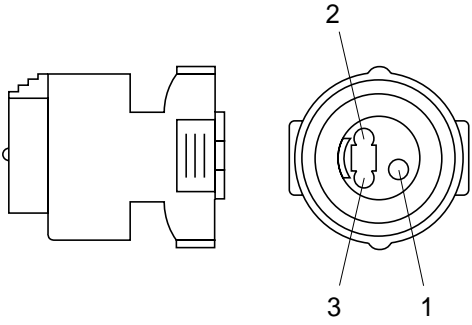
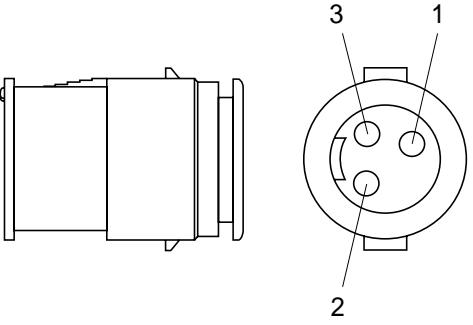
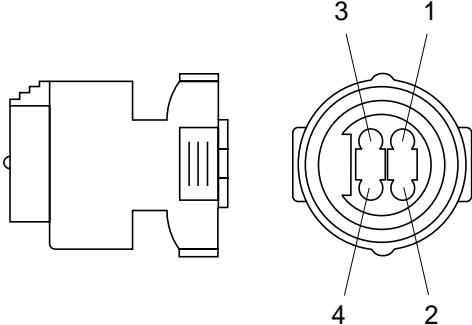
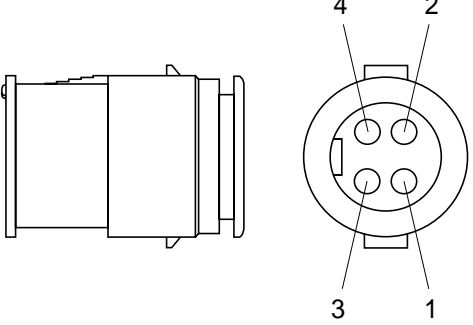
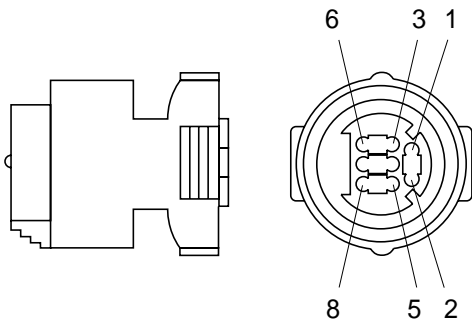
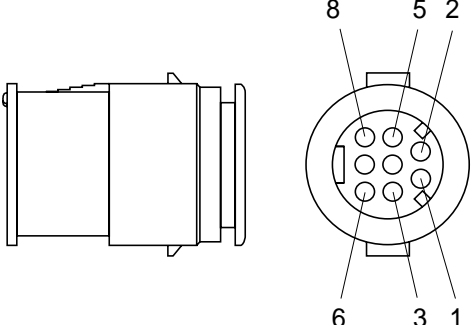
No. of pin	Receptacle connector(Female)	Plug connector(Male)
5	 <p style="text-align: center;">S811-005002</p>	 <p style="text-align: center;">S811-105002</p>
7	 <p style="text-align: center;">S811-007002</p>	 <p style="text-align: center;">S811-107002</p>
9	 <p style="text-align: center;">S811-009002</p>	 <p style="text-align: center;">S811-109002</p>
11	 <p style="text-align: center;">S811-011002</p>	 <p style="text-align: center;">S811-111002</p>

No. of pin	Receptacle connector(Female)	Plug connector(Male)
13	 <p style="text-align: center;">S811-013002</p>	 <p style="text-align: center;">S811-113002</p>
17	 <p style="text-align: center;">S811-017002</p>	 <p style="text-align: center;">S811-117002</p>
21	 <p style="text-align: center;">S811-021002</p>	 <p style="text-align: center;">S811-121002</p>

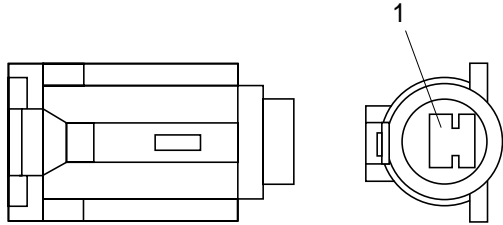
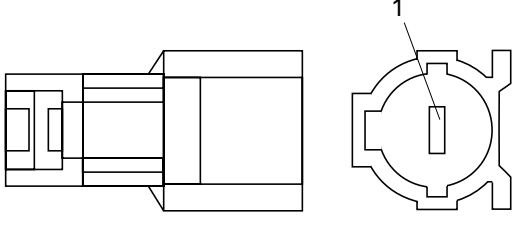
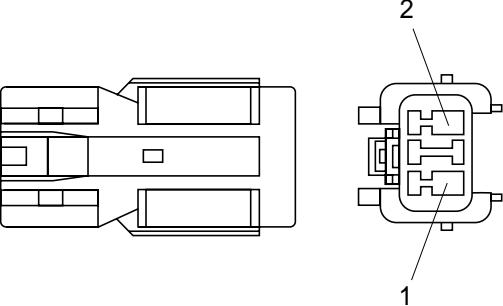
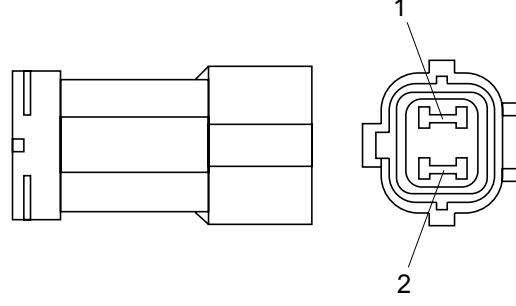
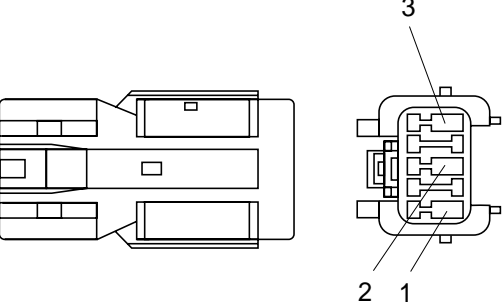
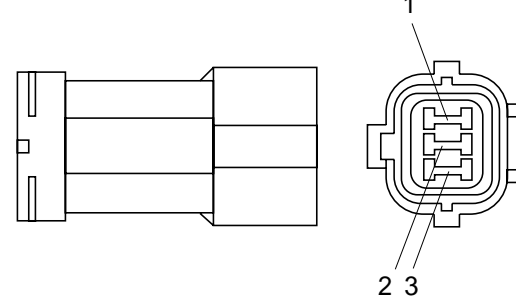
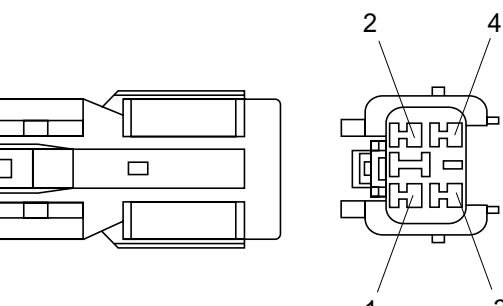
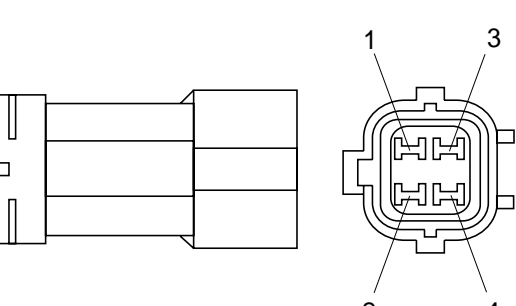
4) 58-X TYPE CONNECTOR

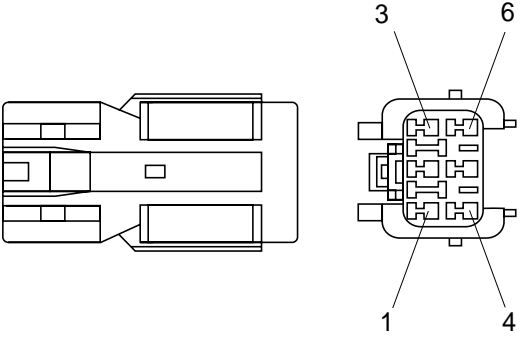
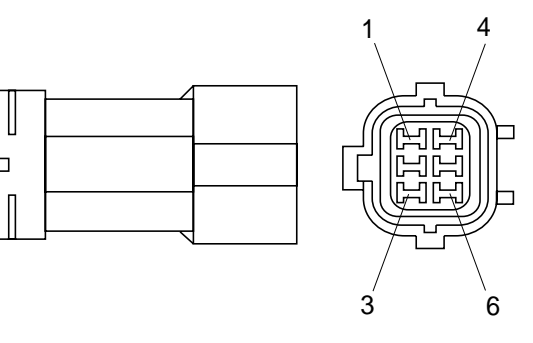
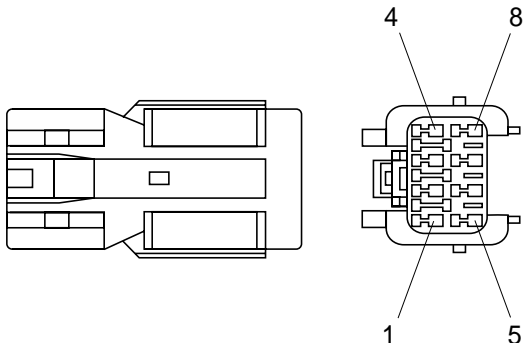
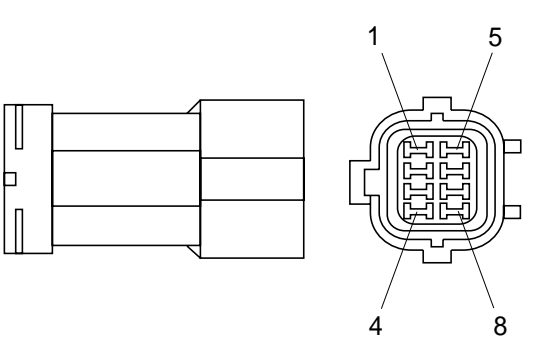
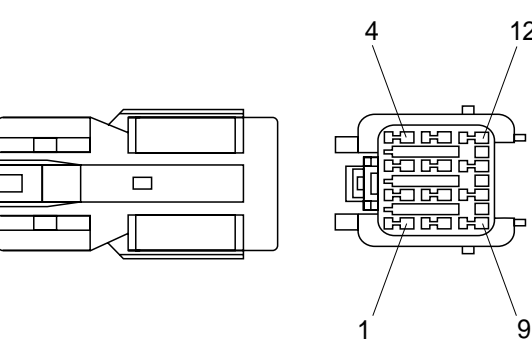
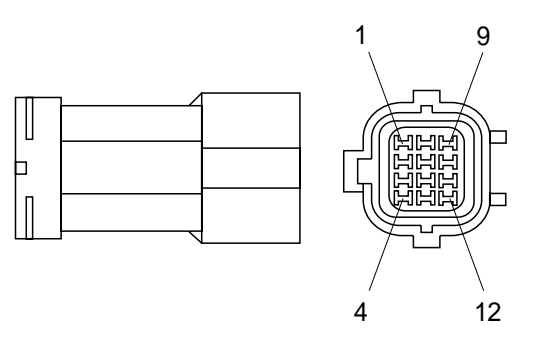
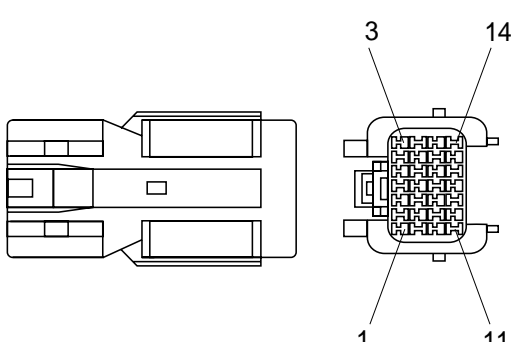
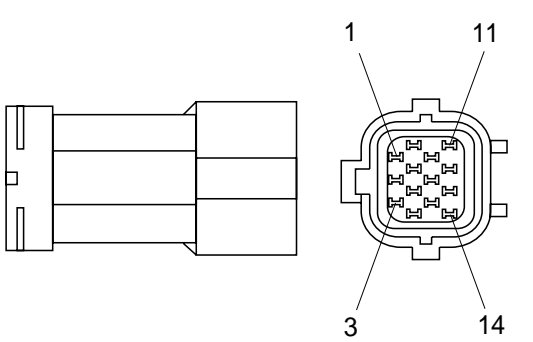
No. of pin	Receptacle connector(Female)	Plug connector(Male)
1	 <p data-bbox="708 680 855 707">S813-060100</p>	 <p data-bbox="1286 680 1433 707">S813-160100</p>
2	 <p data-bbox="708 1081 855 1108">S813-060200</p>	 <p data-bbox="1286 1081 1433 1108">S813-160200</p>
3	 <p data-bbox="708 1485 855 1512">S813-060300</p>	 <p data-bbox="1286 1485 1433 1512">S813-160300</p>
4	 <p data-bbox="708 1906 855 1933">S813-060400</p>	 <p data-bbox="1286 1906 1433 1933">S813-160400</p>

5) J TYPE CONNECTOR

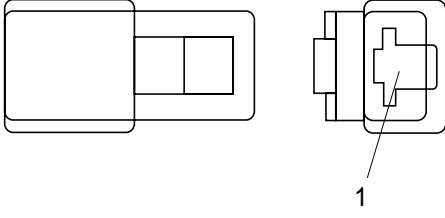
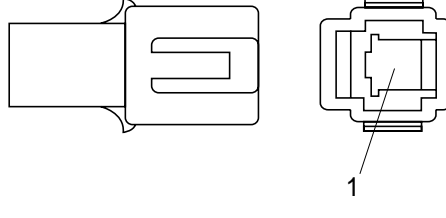
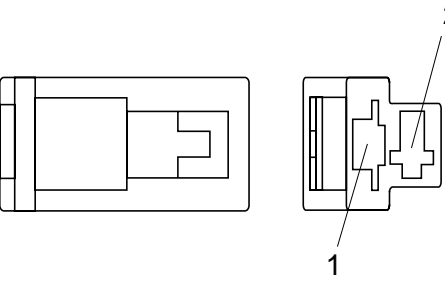
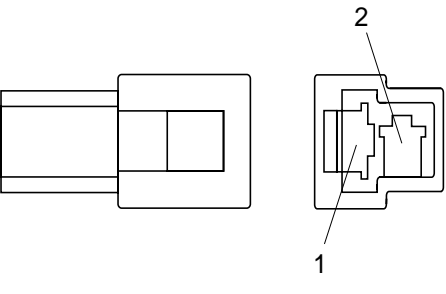
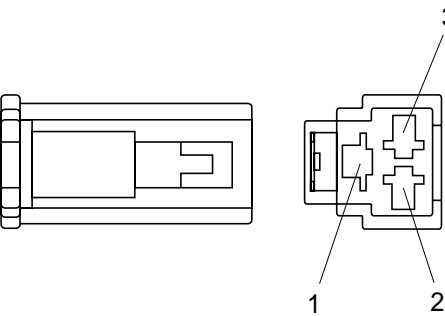
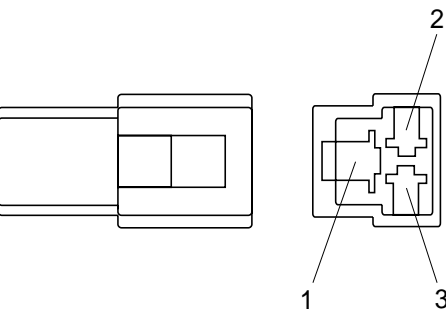
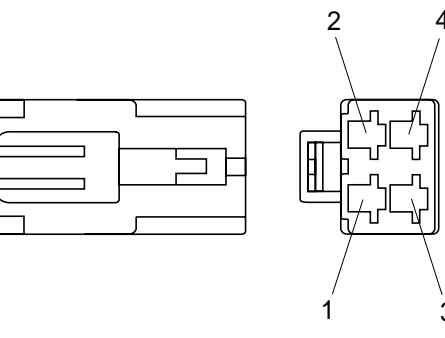
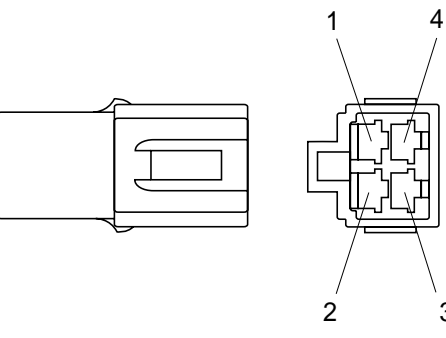
No. of pin	Receptacle connector(Female)	Plug connector(Male)
2	 <p style="text-align: center;">S816-002001</p>	 <p style="text-align: center;">S816-102001</p>
3	 <p style="text-align: center;">S816-003001</p>	 <p style="text-align: center;">S816-103001</p>
4	 <p style="text-align: center;">S816-004001</p>	 <p style="text-align: center;">S816-104001</p>
8	 <p style="text-align: center;">S816-008001</p>	 <p style="text-align: center;">S816-108001</p>

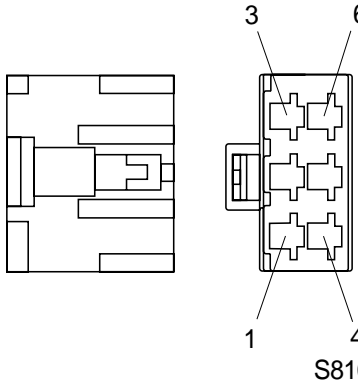
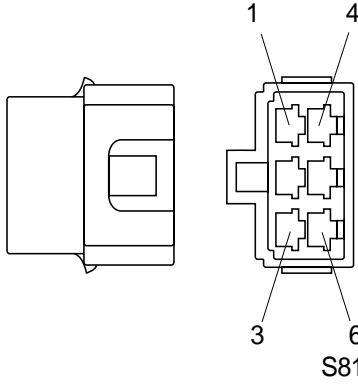
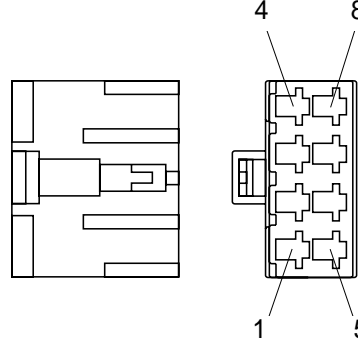
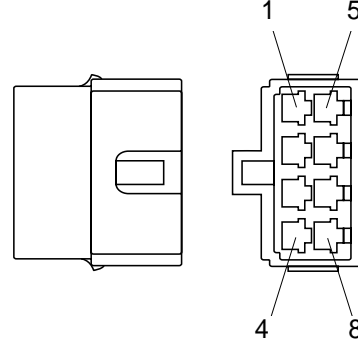
6) SWP TYPE CONNECTOR

No. of pin	Receptacle connector(Female)	Plug connector(Male)
1	 <p data-bbox="708 685 858 712">S814-001000</p>	 <p data-bbox="1283 685 1433 712">S814-101000</p>
2	 <p data-bbox="708 1088 858 1115">S814-002000</p>	 <p data-bbox="1283 1088 1433 1115">S814-102000</p>
3	 <p data-bbox="708 1491 858 1518">S814-003000</p>	 <p data-bbox="1283 1491 1433 1518">S814-103000</p>
4	 <p data-bbox="708 1904 858 1930">S814-004000</p>	 <p data-bbox="1283 1904 1433 1930">S814-104000</p>

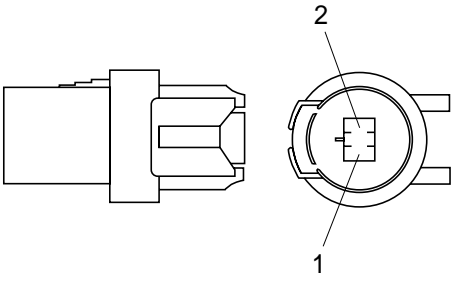
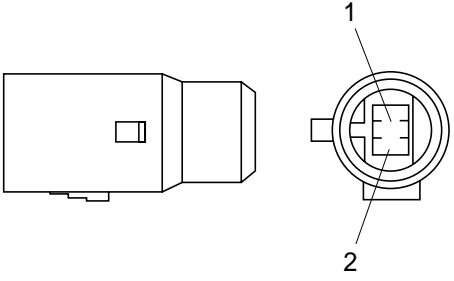
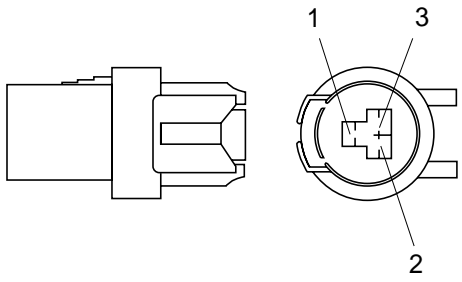
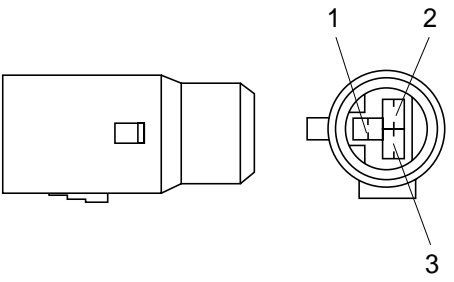
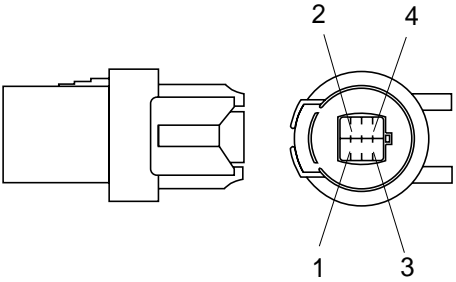
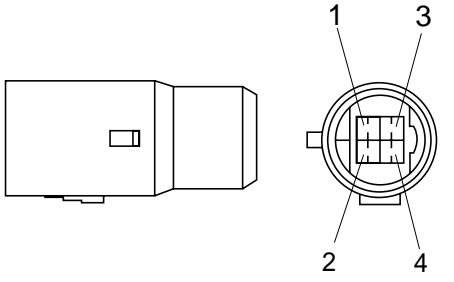
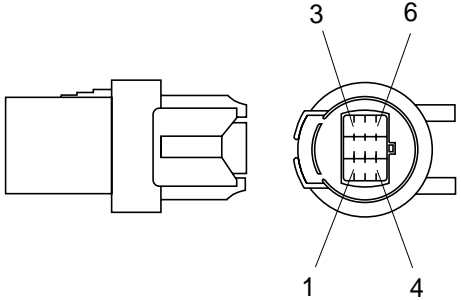
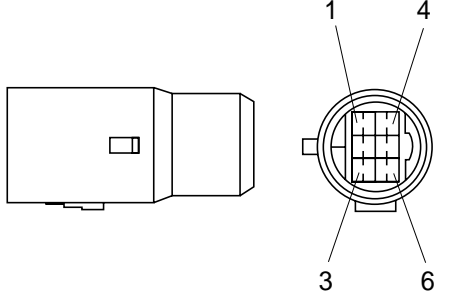
No. of pin	Receptacle connector(Female)	Plug connector(Male)
6	 <p data-bbox="707 678 850 707">S814-006000</p>	 <p data-bbox="1281 678 1425 707">S814-106000</p>
8	 <p data-bbox="707 1081 850 1111">S814-008000</p>	 <p data-bbox="1281 1081 1425 1111">S814-108000</p>
12	 <p data-bbox="707 1485 850 1514">S814-012000</p>	 <p data-bbox="1281 1485 1425 1514">S814-112000</p>
14	 <p data-bbox="707 1888 850 1917">S814-014000</p>	 <p data-bbox="1281 1888 1425 1917">S814-114000</p>

7) CN TYPE CONNECTOR

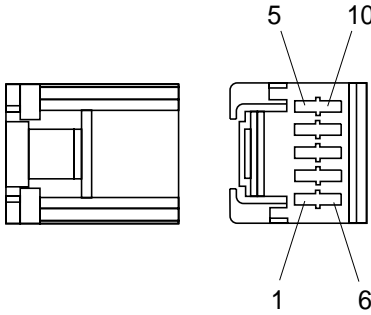
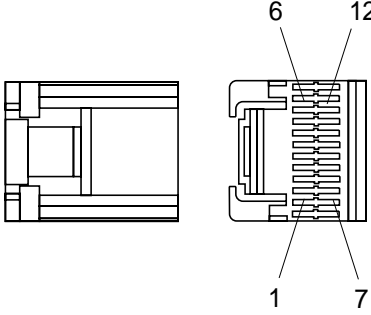
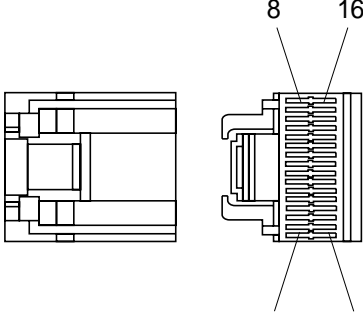
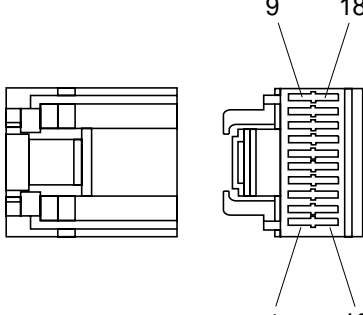
No. of pin	Receptacle connector(Female)	Plug connector(Male)
1	 <p style="text-align: center;">S810-001202</p>	 <p style="text-align: center;">S810-101202</p>
2	 <p style="text-align: center;">S810-002202</p>	 <p style="text-align: center;">S810-102202</p>
3	 <p style="text-align: center;">S810-003202</p>	 <p style="text-align: center;">S810-103202</p>
4	 <p style="text-align: center;">S810-004202</p>	 <p style="text-align: center;">S810-104202</p>

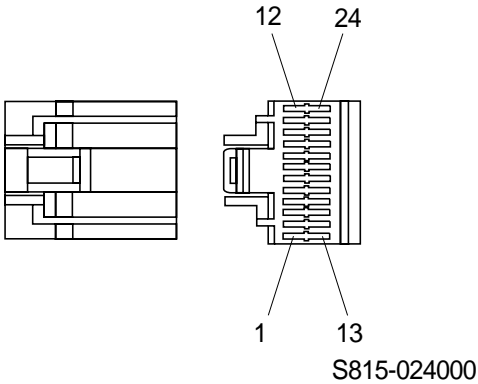
No. of pin	Receptacle connector(Female)	Plug connector(Male)
6	 <p style="text-align: center;">S810-006202</p>	 <p style="text-align: center;">S810-106202</p>
8	 <p style="text-align: center;">S810-008202</p>	 <p style="text-align: center;">S810-108202</p>

8) BS TYPE CONNECTOR

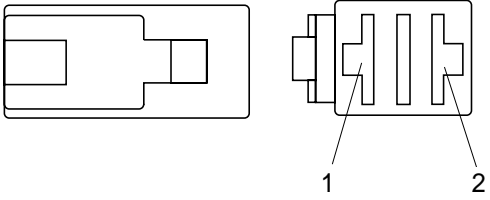
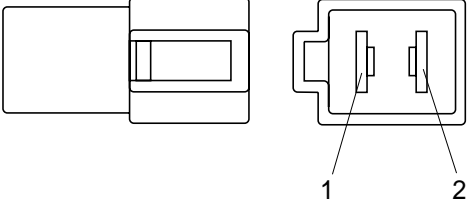
No. of pin	Receptacle connector(Female)	Plug connector(Male)
2	 <p style="text-align: center;">S812-002001</p>	 <p style="text-align: center;">S812-102001</p>
3	 <p style="text-align: center;">S812-003001</p>	 <p style="text-align: center;">S812-103001</p>
4	 <p style="text-align: center;">S812-004001</p>	 <p style="text-align: center;">S812-104001</p>
6	 <p style="text-align: center;">S812-006001</p>	 <p style="text-align: center;">S812-106001</p>

9) LC TYPE CONNECTOR

No. of pin	Receptacle connector(Female)	Plug connector(Male)
10	 <p data-bbox="711 685 858 712">S815-010000</p>	
12	 <p data-bbox="711 1088 858 1115">S815-012000</p>	
16	 <p data-bbox="711 1498 858 1525">S815-016000</p>	
18	 <p data-bbox="711 1906 858 1933">S815-018000</p>	

No. of pin	Receptacle connector(Female)	Plug connector(Male)
24	 <p style="text-align: center;">S815-024000</p>	

10) 375 FASTEN TYPE CONNECTOR

No. of pin	Receptacle connector(Female)	Plug connector(Male)
2	 <p style="text-align: center;">S810-002402</p>	 <p style="text-align: center;">S810-102402</p>