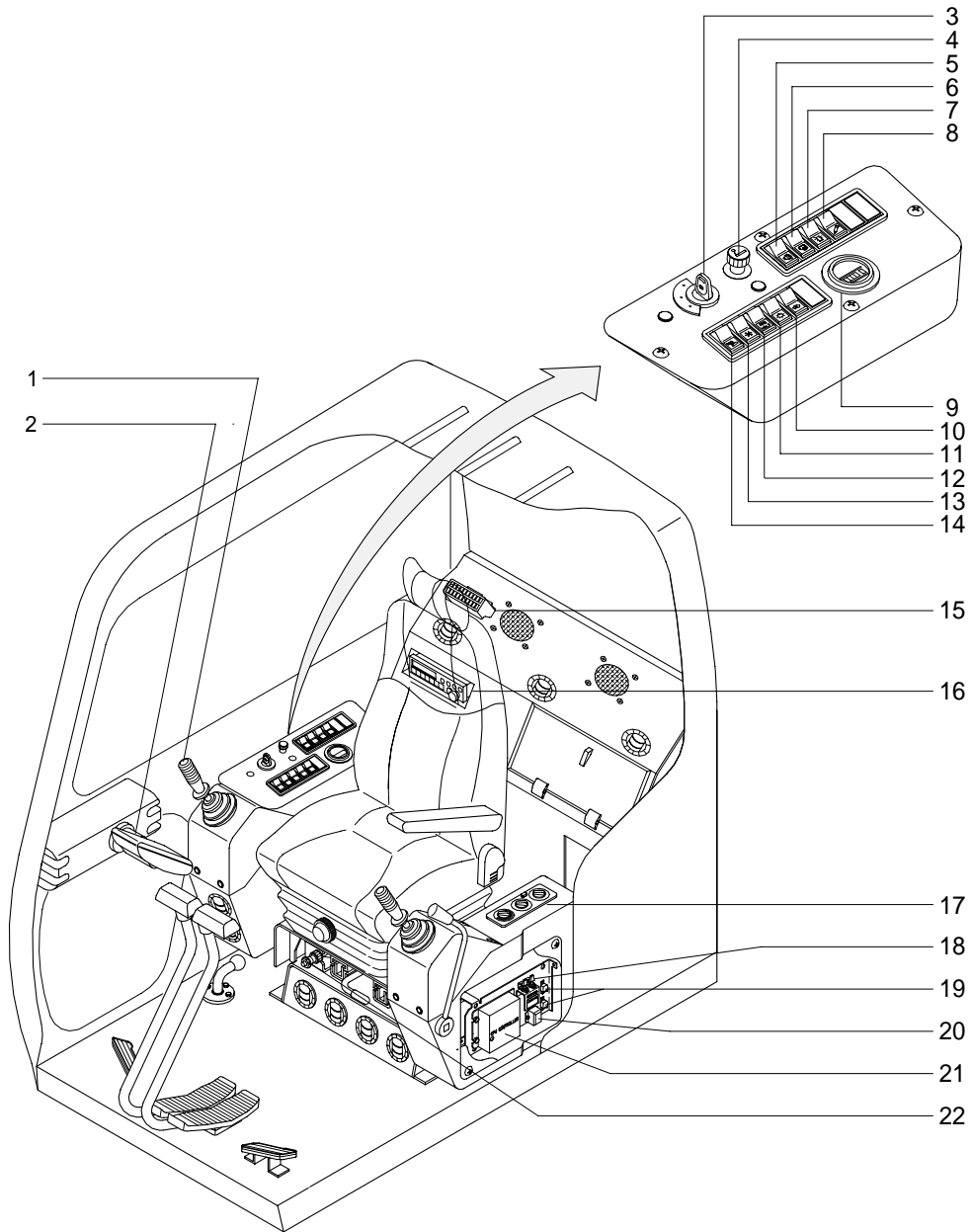


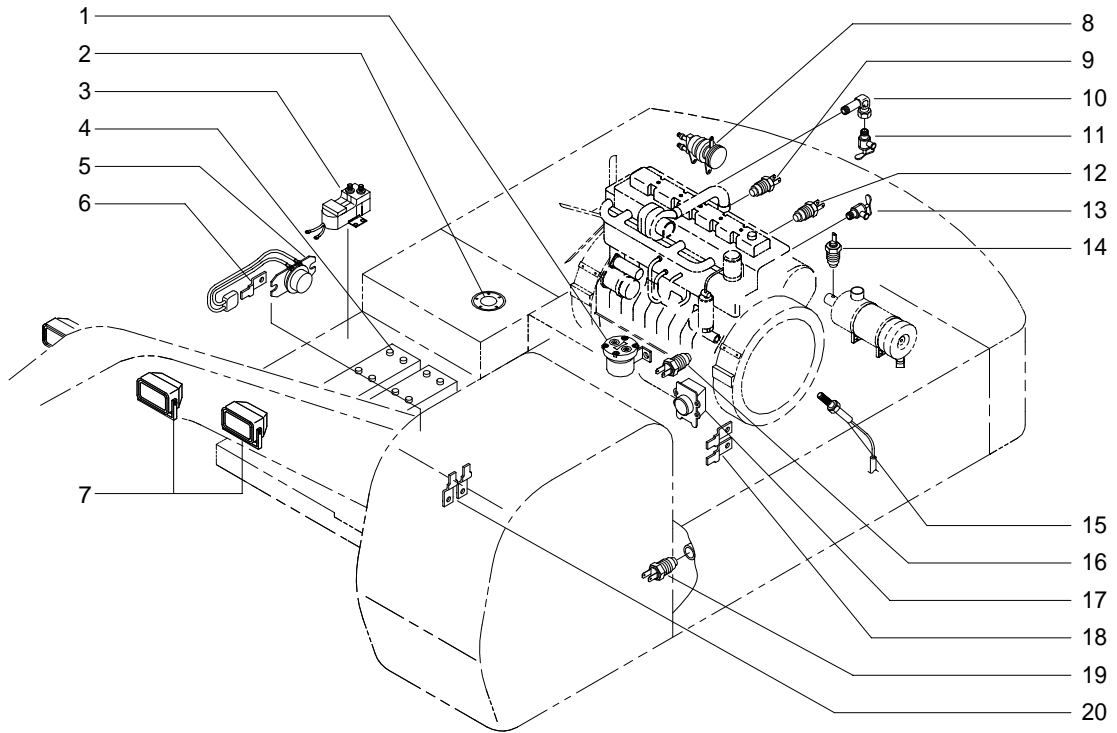
SECTION 4 ELECTRICAL SYSTEM

GROUP 1 COMPONENT LOCATION

1. LOCATION 1



- | | | | | | |
|---|-----------------------------|----|-----------------------|----|-------------------------------------|
| 1 | Horn switch | 9 | Service meter | 17 | Aircon & Heater switch |
| 2 | Cluster | 10 | Wiper & Washer switch | 18 | Prolix switch |
| 3 | Starting switch | 11 | Main light switch | 19 | Relay |
| 4 | Cigar lighter switch | 12 | Arm half switch | 20 | Resistor |
| 5 | Travel alarm switch(option) | 13 | Aircon switch | 21 | CPU controller |
| 6 | Cold start switch(option) | 14 | Heavy lift switch | 22 | Emergency engine acceleration lever |
| 7 | Beacon switch(option) | 15 | Fuse box | | |
| 8 | Breaker switch(option) | 16 | Cassette & Radio | | |



- | | | | | | |
|---|------------------|----|-----------------------|----|----------------------------|
| 1 | Start relay | 8 | Alternator | 15 | Speed sensor |
| 2 | Fuel sender | 9 | Hydraulic temp sender | 16 | Engine oil pressure switch |
| 3 | Fuel filler pump | 10 | Adapter | 17 | Governor motor |
| 4 | Battery | 11 | Heater valve | 18 | Connector plate |
| 5 | Battery relay | 12 | Overheat switch | 19 | Water temperature switch |
| 6 | Connector plate | 13 | Heater valve | 20 | Connector plate |
| 7 | Light | 14 | Air cleaner switch | | |