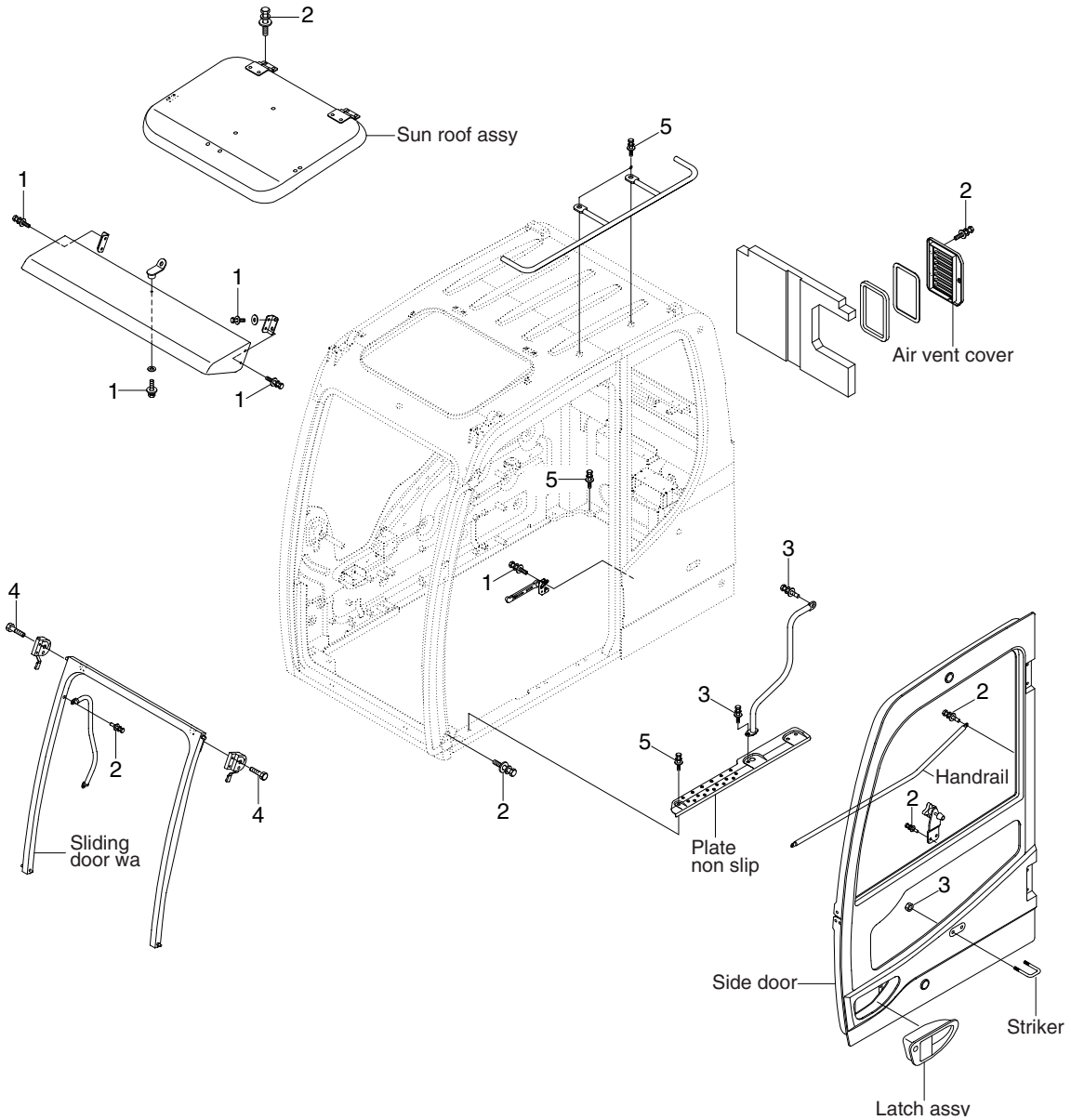


GROUP 6 STRUCTURE

CAB AND ACCESSORIES MOUNTING



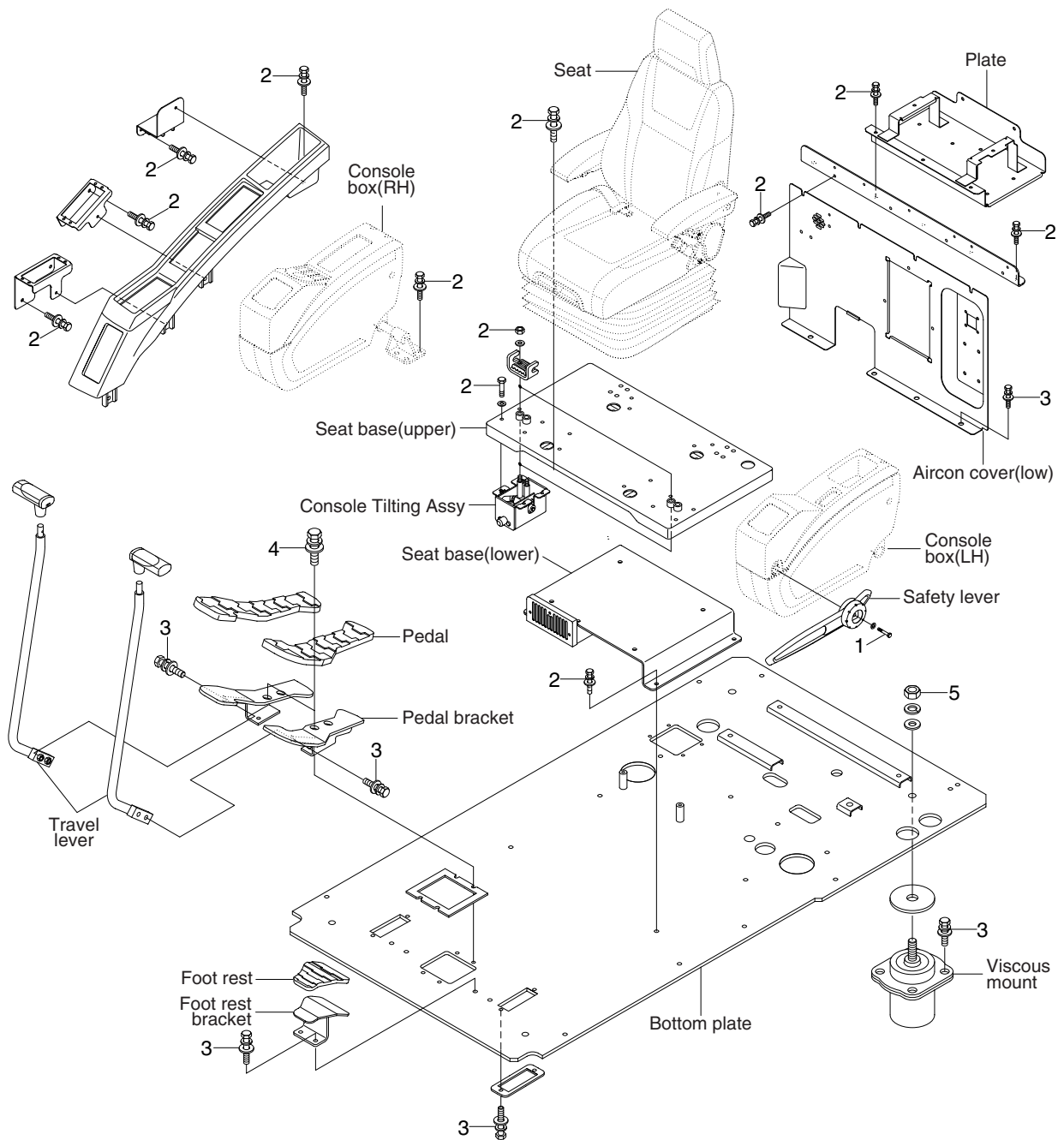
43099CM09

· Tightening torque

Item	Size	kgf · m	lbf · ft
1	M 6×1.0	0.49±0.1	3.5±0.7
2	M 8×1.25	2.5±0.5	18.1±3.6
3	M10×1.5	4.7±0.9	34±6.5

Item	Size	kgf · m	lbf · ft
4	M10×1.5	6.9±1.4	49.9±10.1
5	M12×1.75	12.8±3.0	92.6±21.7
-	-	-	-

CAB INTERIOR MOUNTING



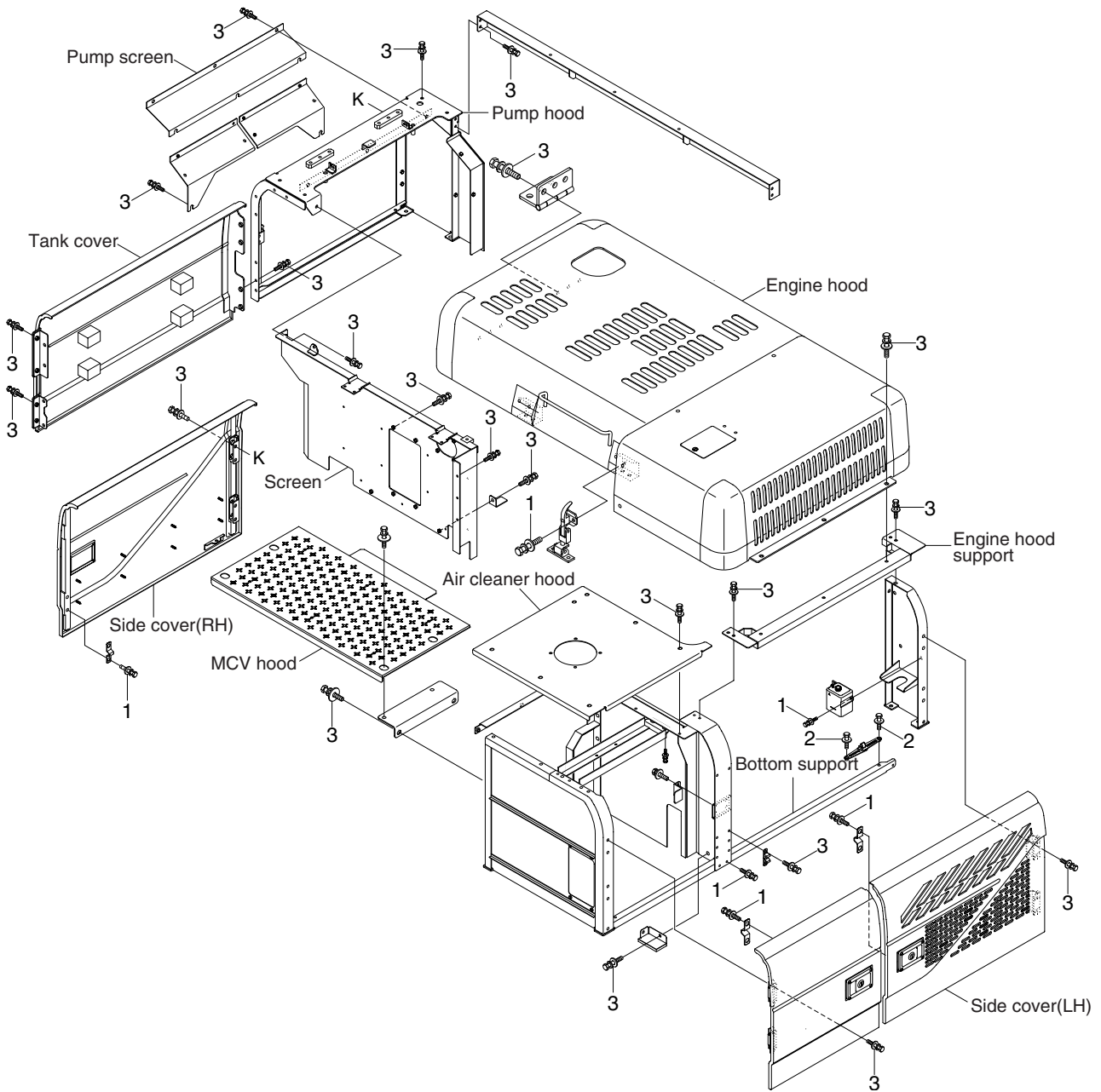
43099CM10

· Tightening torque

Item	Size	kgf · m	lbf · ft
1	M 6×1.0	0.49±0.1	3.5±0.7
2	M 8×1.25	2.5±0.5	18.1±3.6
3	M10×1.5	6.9±1.4	49.9±10.1

Item	Size	kgf · m	lbf · ft
4	M10×1.5	8.27±1.7	59.8±12.3
5	M16×2.0	29.7±4.5	215±32.5
-	-	-	-

COWLING MOUNTING



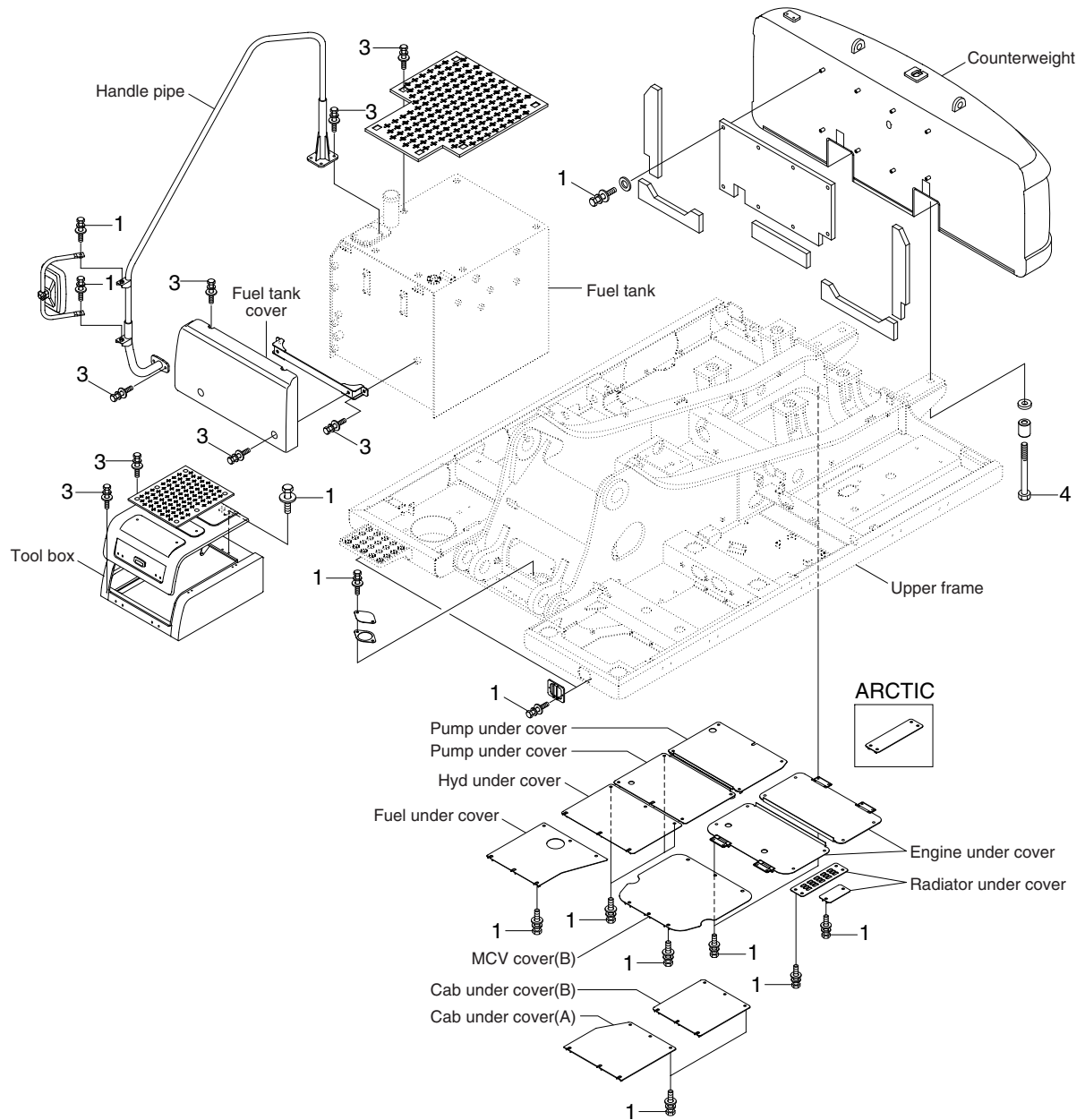
4309SH9CM11

· Tightening torque

Item	Size	kgf · m	lbf · ft
1	M8×1.25	2.5±0.5	18.1±3.6
2	M10×1.5	6.9±1.4	49.9±10.1

Item	Size	kgf · m	lbf · ft
3	M12×1.75	12.8±3.0	92.6±21.7
-	-	-	-

COUNTERWEIGHT AND COVERS MOUNTING



3809SH9CM12

· Tightening torque

Item	Size	kgf · m	lbf · ft
1	M10×1.5	6.9±1.4	49.9±10.1
2	M 8×1.25	2.5±0.5	18.1±3.6

Item	Size	kgf · m	lbf · ft
3	M12×1.75	12.8±3.0	92.6±21.7
4	M36×3.0	308±46	2228±333