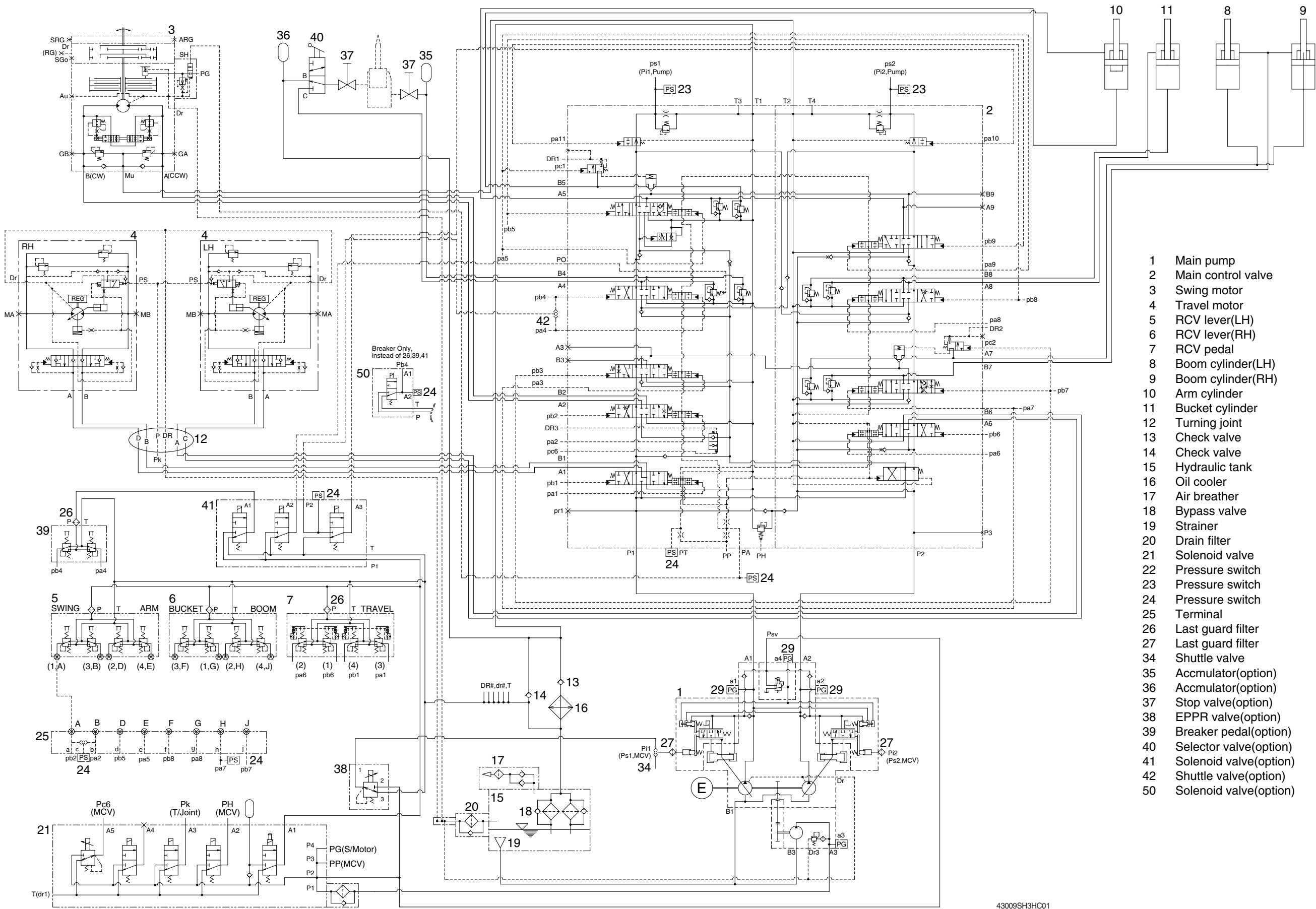


SECTION 3 HYDRAULIC SYSTEM

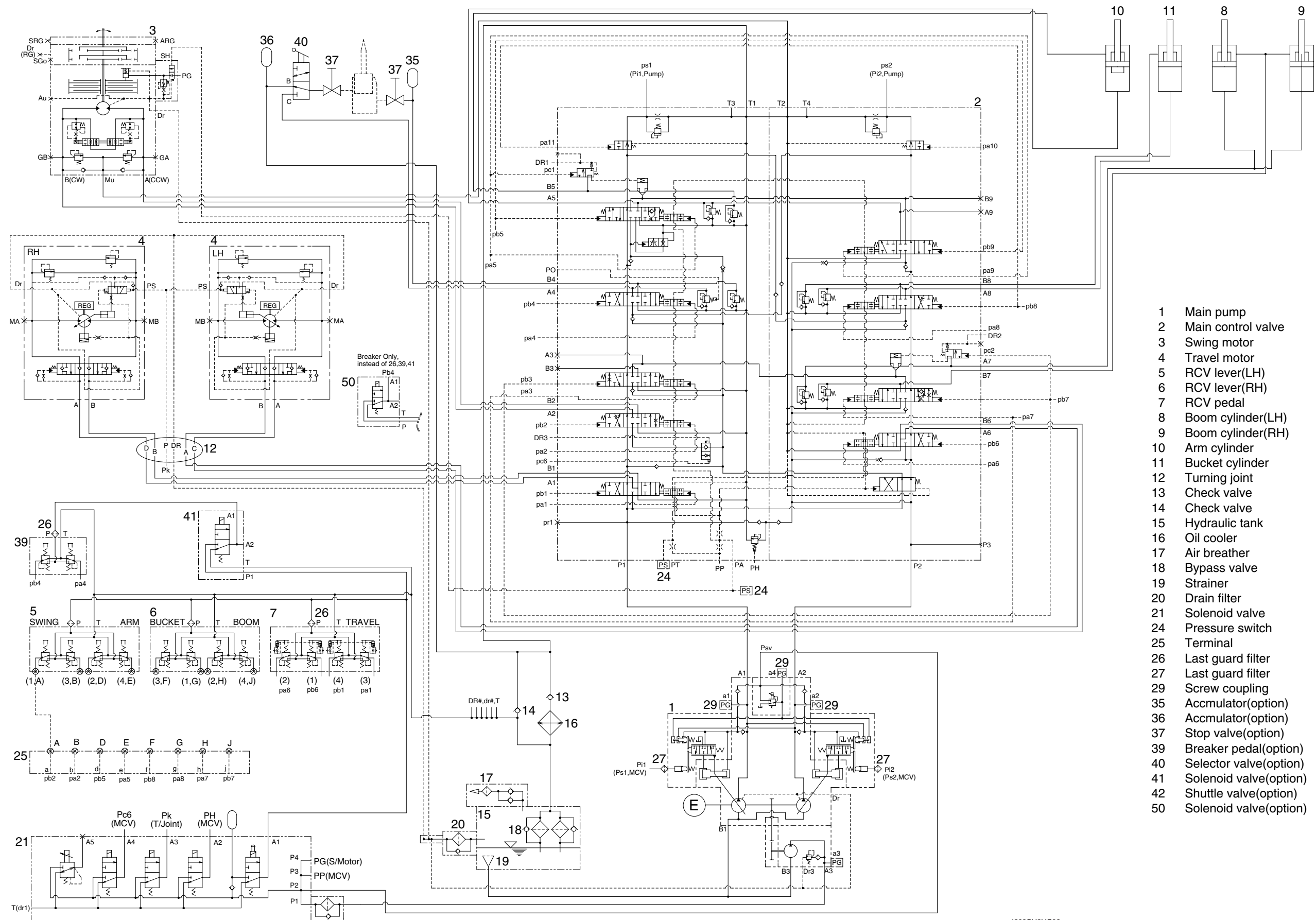
GROUP 1 HYDRAULIC CIRCUIT (CLUSTER TYPE 1)



- 1 Main pump
- 2 Main control valve
- 3 Swing motor
- 4 Travel motor
- 5 RCV lever(LH)
- 6 RCV lever(RH)
- 7 RCV pedal
- 8 Boom cylinder(LH)
- 9 Boom cylinder(RH)
- 10 Arm cylinder
- 11 Bucket cylinder
- 12 Turning joint
- 13 Check valve
- 14 Check valve
- 15 Hydraulic tank
- 16 Oil cooler
- 17 Air breather
- 18 Bypass valve
- 19 Strainer
- 20 Drain filter
- 21 Solenoid valve
- 22 Pressure switch
- 23 Pressure switch
- 24 Pressure switch
- 25 Terminal
- 26 Last guard filter
- 27 Last guard filter
- 34 Shuttle valve
- 35 Accumulator(option)
- 36 Accumulator(option)
- 37 Stop valve(option)
- 38 EPPR valve(option)
- 39 Breaker pedal(option)
- 40 Selector valve(option)
- 41 Solenoid valve(option)
- 42 Shuttle valve(option)
- 50 Solenoid valve(option)

43009SH3HC01

HYDRAULIC CIRCUIT (CLUSTER TYPE 2)



- 1 Main pump
- 2 Main control valve
- 3 Swing motor
- 4 Travel motor
- 5 RCV lever(LH)
- 6 RCV lever(RH)
- 7 RCV pedal
- 8 Boom cylinder(LH)
- 9 Boom cylinder(RH)
- 10 Arm cylinder
- 11 Bucket cylinder
- 12 Turning joint
- 13 Check valve
- 14 Check valve
- 15 Hydraulic tank
- 16 Oil cooler
- 17 Air breather
- 18 Bypass valve
- 19 Strainer
- 20 Drain filter
- 21 Solenoid valve
- 24 Pressure switch
- 25 Terminal
- 26 Last guard filter
- 27 Last guard filter
- 29 Screw coupling
- 35 Accumulator(option)
- 36 Accumulator(option)
- 37 Stop valve(option)
- 39 Breaker pedal(option)
- 40 Selector valve(option)
- 41 Solenoid valve(option)
- 42 Shuttle valve(option)
- 50 Solenoid valve(option)

4309SH3HC02