

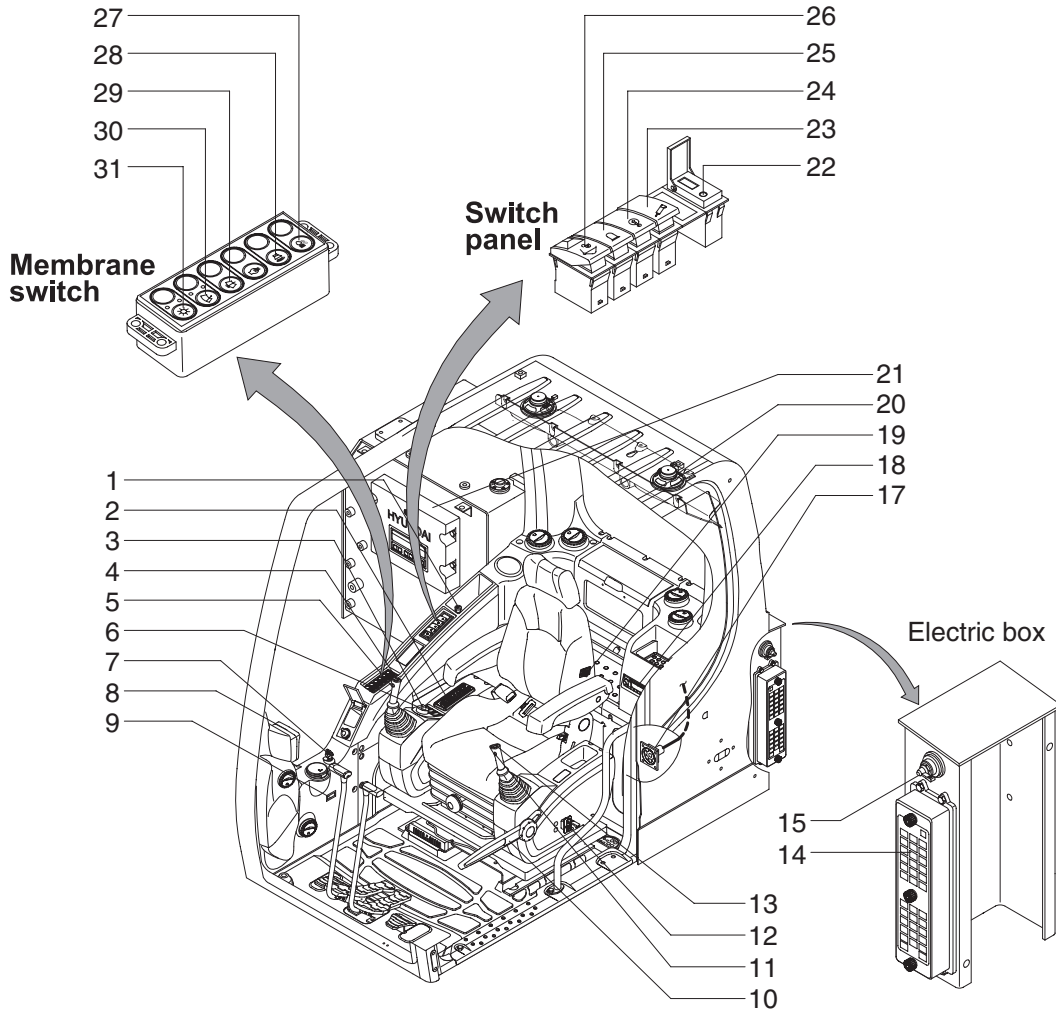
## SECTION 4 ELECTRICAL SYSTEM

Group 1 Component Location .....	4-1
Group 2 Electrical Circuit .....	4-3
Group 3 Electrical Component Specification .....	4-38
Group 4 Connectors .....	4-46

# SECTION 4 ELECTRICAL SYSTEM

## GROUP 1 COMPONENT LOCATION

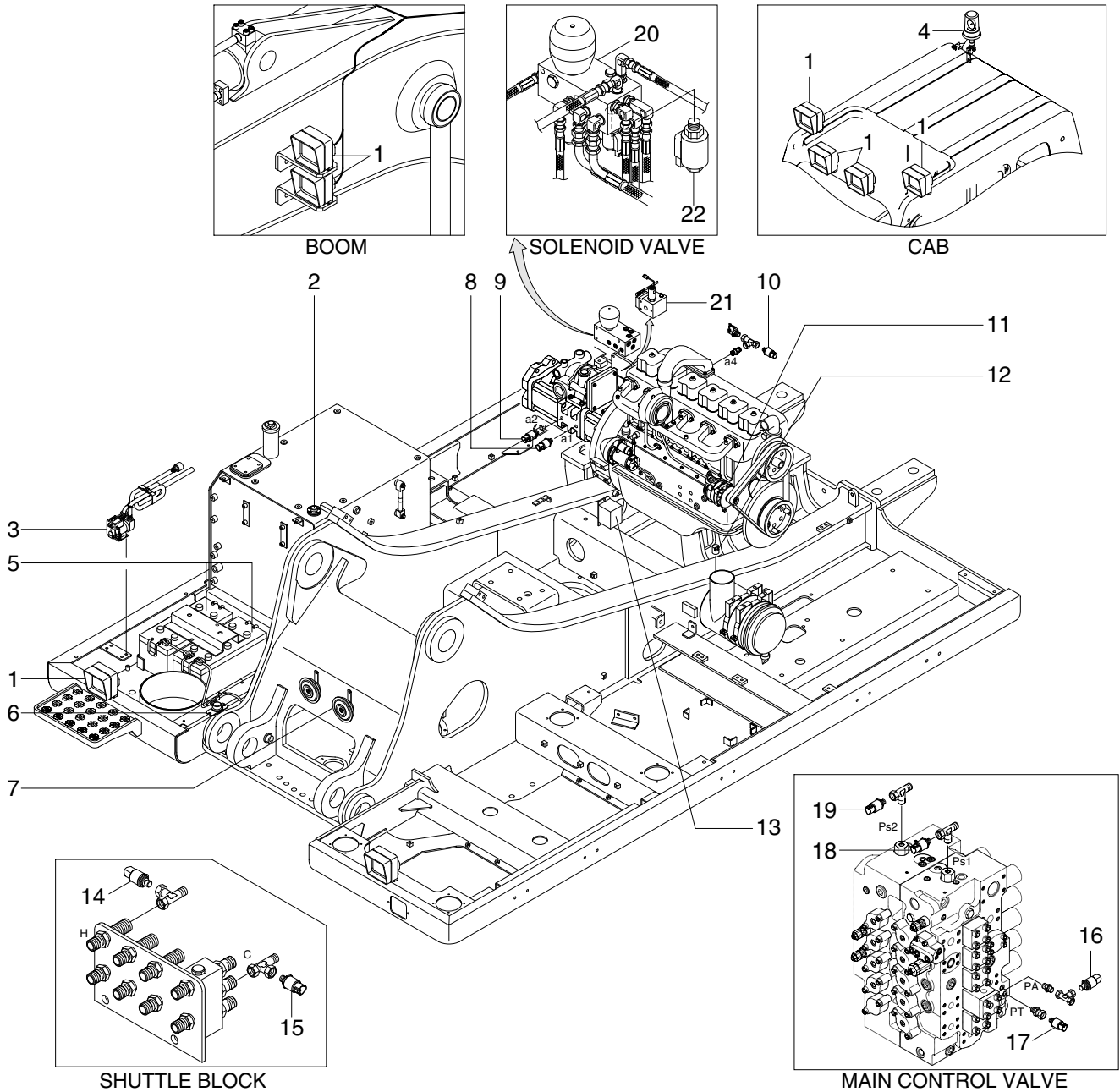
### 1. LOCATION 1



4309SH4EL01

- |                                |                                 |                        |
|--------------------------------|---------------------------------|------------------------|
| 1 Cigar light                  | 11 Power max switch             | 22 USB socket          |
| 2 Aircon & heater switch panel | 12 Emergency engine stop switch | 23 Breaker switch      |
| 3 Accel dial switch            | 13 One touch decel switch       | 24 Overload switch     |
| 4 Horn switch                  | 14 Fuse box                     | 25 Beacon switch       |
| 5 Breaker operation switch     | 15 Master switch                | 26 Quick clamp switch  |
| 6 Air compressor switch        | 17 RS232 service socket         | 27 Cab light switch    |
| 7 Starting switch              | 18 Radio & USB player           | 28 Travel alarm switch |
| 8 Cluster                      | 19 Heated seat switch           | 29 Washer switch       |
| 9 Service meter                | 20 Speaker                      | 30 Wiper switch        |
| 10 Safety lever                | 21 MCU                          | 31 Main light switch   |

## 2. LOCATION 2



3809SH4EL02

- |                      |                            |                             |
|----------------------|----------------------------|-----------------------------|
| 1 Lamp               | 9 P2 pressure sensor       | 16 Attach pressure sensor   |
| 2 Fuel sender        | 10 EPPR pressure sensor    | 17 Travel pressure sensor   |
| 3 Fuel filler pump   | 11 Alternator              | 18 P1 nega pressure sensor  |
| 4 Beacon lamp        | 12 Air cleaner switch      | 19 P2 nega pressure sensor  |
| 5 Battery            | 13 Travel alarm buzzer     | 20 Solenoid valve           |
| 6 Battery relay      | 14 Boom up pressure sensor | 21 Pump EPPR valve          |
| 7 Horn               | 15 Swing pressure sensor   | 22 Boom priority EPPR valve |
| 8 P1 pressure sensor |                            |                             |

※ Cluster type 1 only : 10, 14, 15, 18, 19