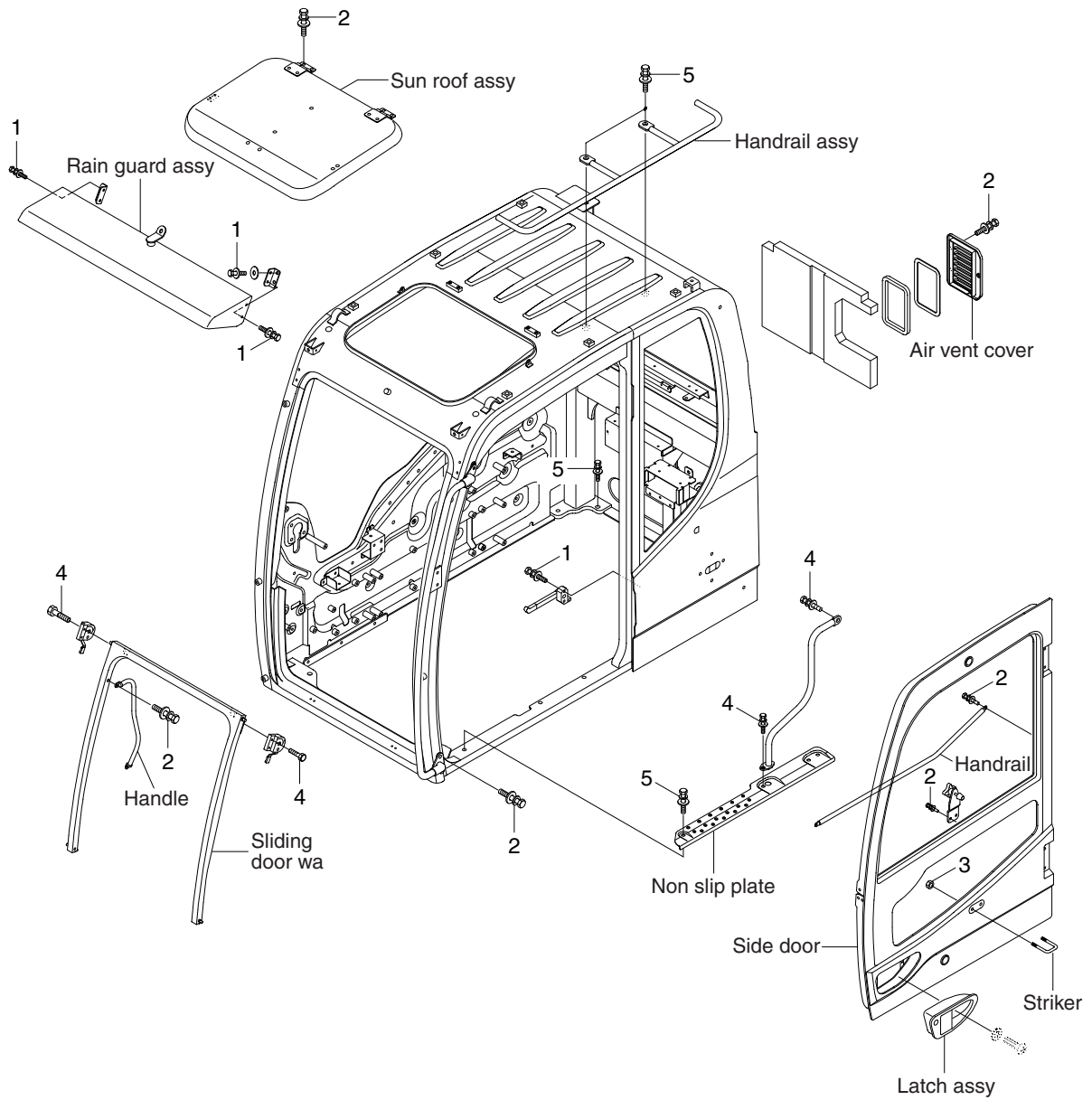


# GROUP 6 STRUCTURE

## CAB AND ACCESSORIES MOUNTING



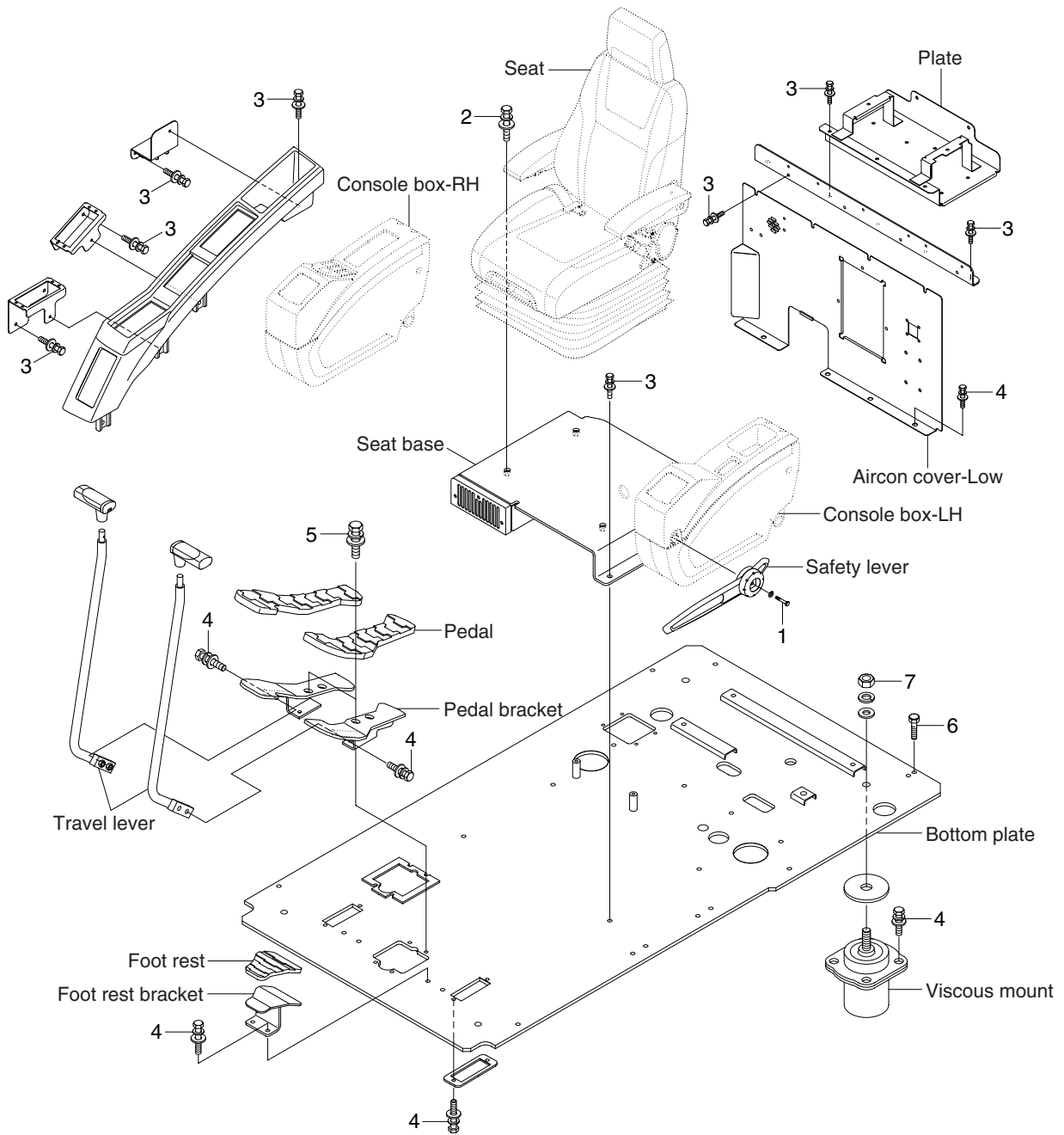
3809A9CM09

### · Tightening torque

Item	Size	kgf · m	lbf · ft
1	M 6×1.0	0.49±0.1	3.5±0.7
2	M 8×1.25	2.5±0.5	18.1±3.6
3	M10×1.5	4.7±0.9	34±6.5

Item	Size	kgf · m	lbf · ft
4	M10×1.5	6.9±1.4	49.9±10.1
5	M12×1.75	12.8±3.0	92.6±21.7
-	-	-	-

# CAB INTERIOR MOUNTING



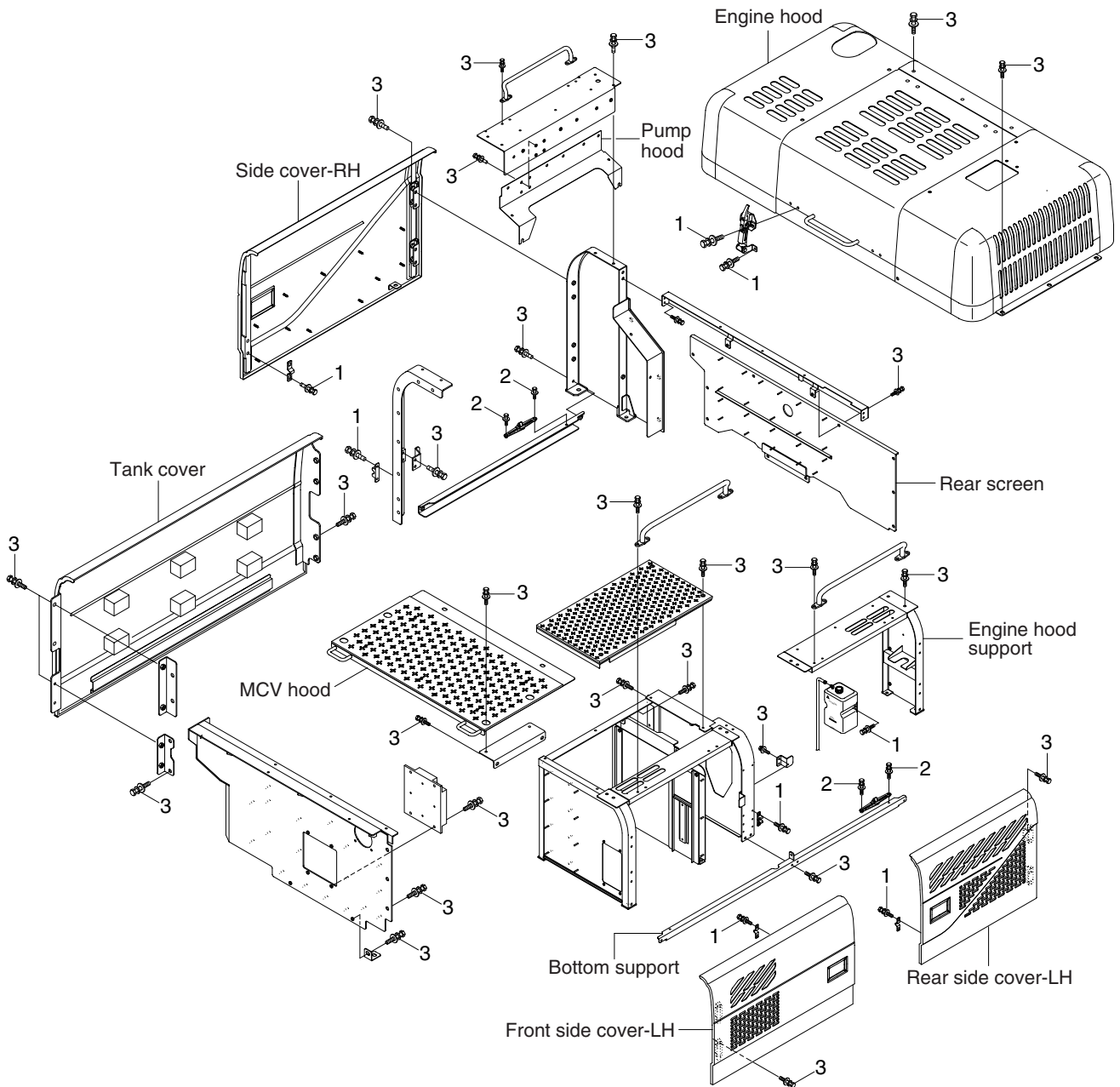
3809A9CM10

## · Tightening torque

Item	Size	kgf · m	lbf · ft
1	M 6 × 1.0	0.49 ± 0.1	3.5 ± 0.7
2	M 8 × 1.25	4.05 ± 0.8	29.3 ± 5.8
3	M 8 × 1.25	2.5 ± 0.5	18.1 ± 3.6
4	M 10 × 1.5	6.9 ± 1.4	49.9 ± 10.1

Item	Size	kgf · m	lbf · ft
5	M 10 × 1.5	8.27 ± 1.7	59.8 ± 12.3
6	M 12 × 1.75	12.8 ± 3.0	92.6 ± 21.7
7	M 16 × 2.0	29.7 ± 4.5	215 ± 32.5
-	-	-	-

# COWLING MOUNTING



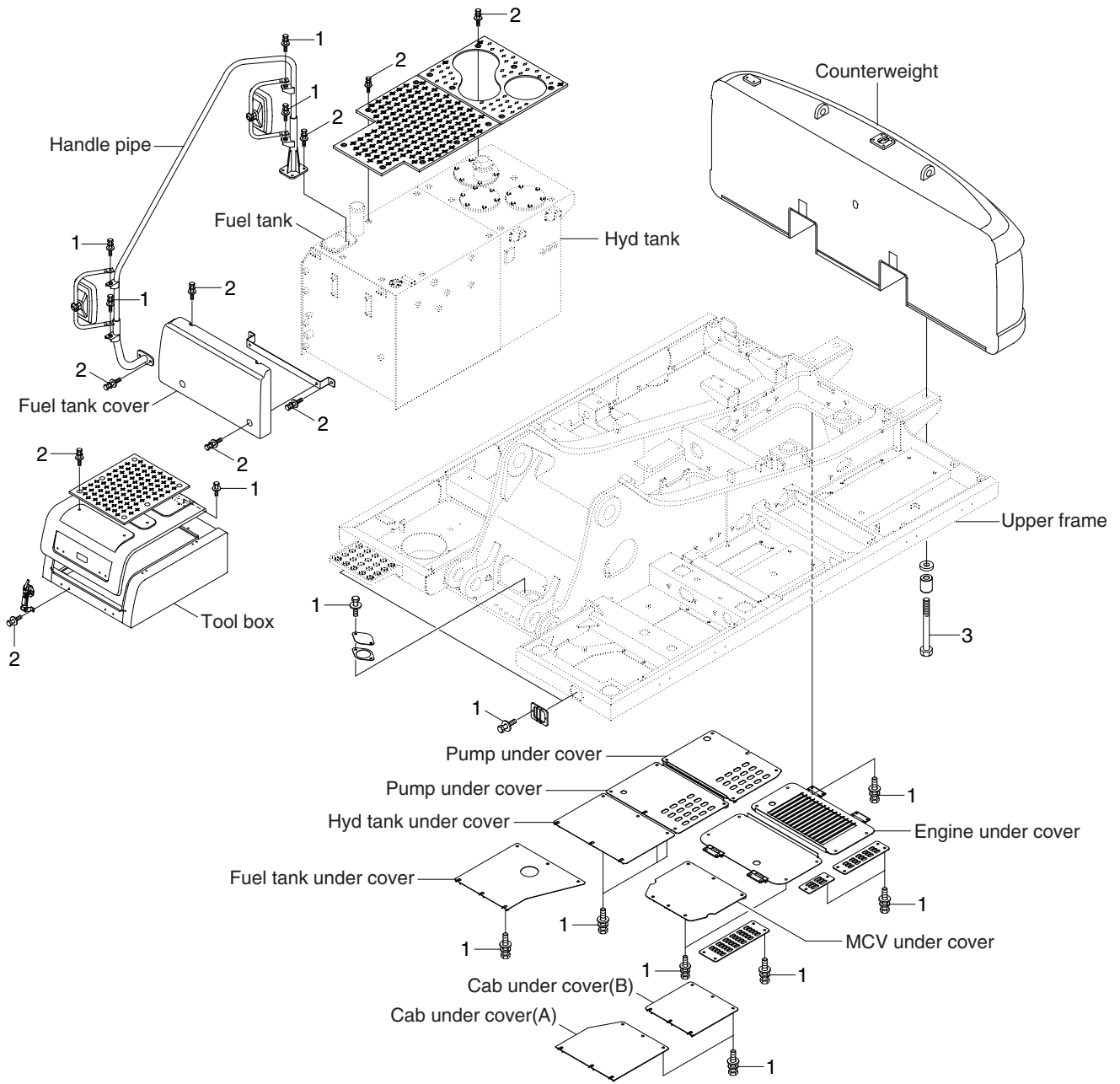
4309A9CM11

## · Tightening torque

Item	Size	kgf · m	lbf · ft
1	M 8 × 1.25	2.5 ± 0.5	18.1 ± 3.6
2	M10 × 1.5	6.9 ± 1.4	49.9 ± 10.1

Item	Size	kgf · m	lbf · ft
3	M12 × 1.75	12.8 ± 3.0	92.6 ± 21.7
-	-	-	-

# COUNTERWEIGHT AND COVERS MOUNTING



4309A9CM12

## · Tightening torque

Item	Size	kgf · m	lbf · ft
1	M10×1.5	6.9±1.4	49.9±10.1
2	M12×1.75	12.8±3.0	92.6±21.7

Item	Size	kgf · m	lbf · ft
3	M36×3.0	308±46	2228±333
-	-	-	-