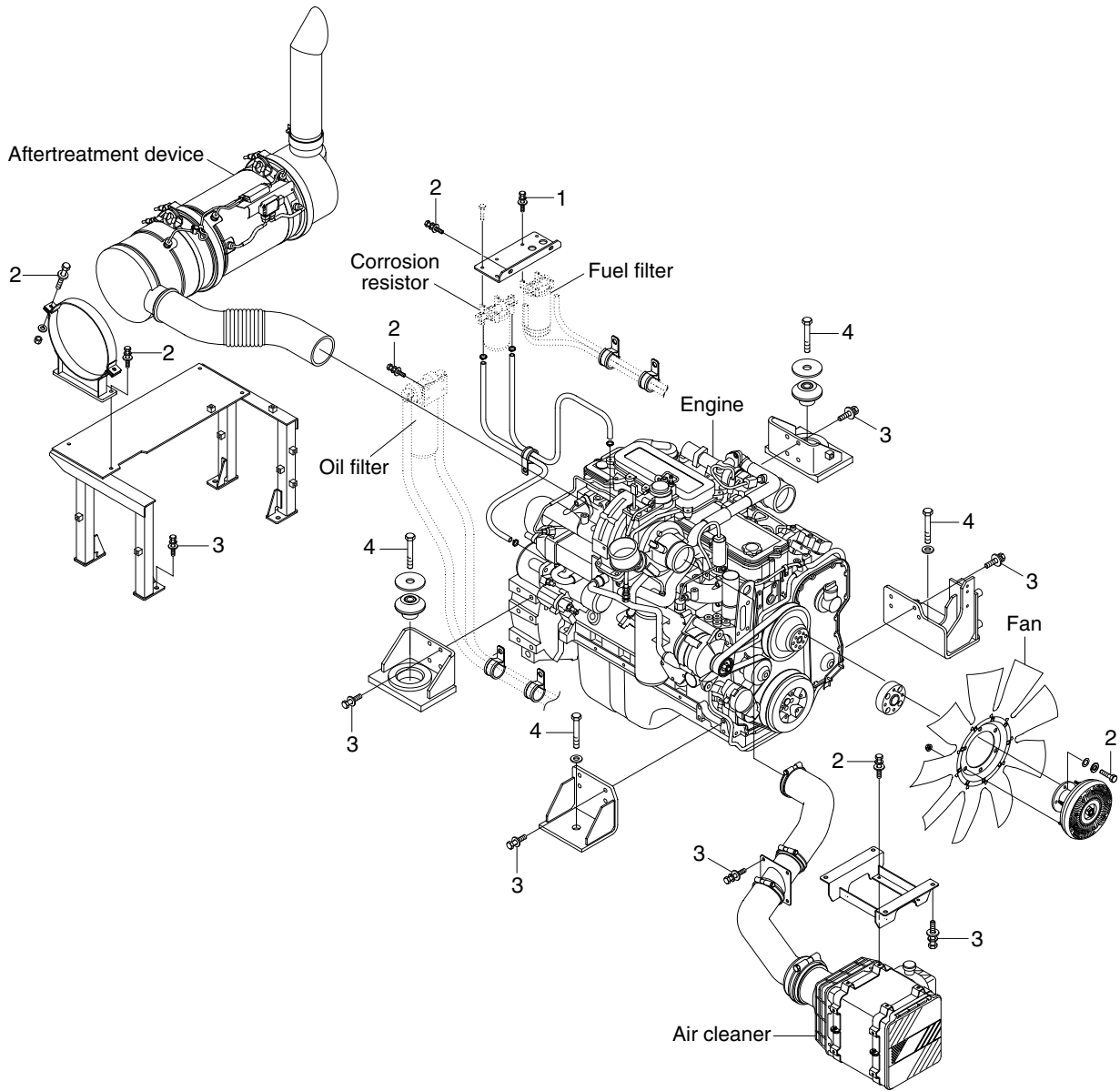


GROUP 2 ENGINE SYSTEM

ENGINE AND ACCESSORIES MOUNTING



4309A9CM01

· Tightening torque

Item	Size	kgf · m	lbf · ft
1	M 8 × 1.25	2.5 ± 0.5	18.1 ± 3.6
2	M10 × 1.5	6.9 ± 1.4	49.9 ± 10.1

Item	Size	kgf · m	lbf · ft
3	M12 × 1.75	12.8 ± 3.0	92.6 ± 21.7
4	M24 × 3.0	90 ± 7.0	651 ± 51

