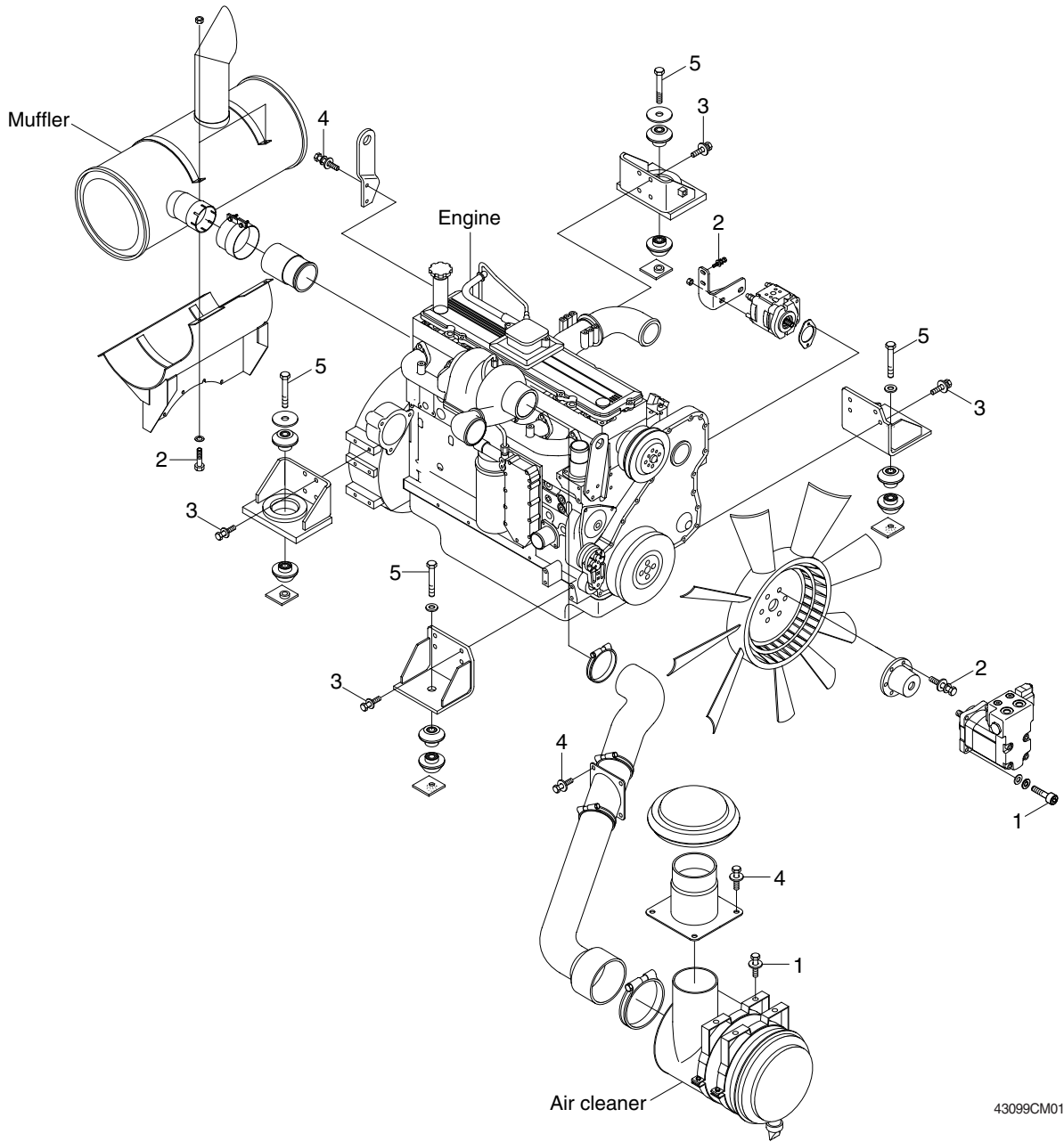


GROUP 2 ENGINE SYSTEM

ENGINE AND ACCESSORIES MOUNTING



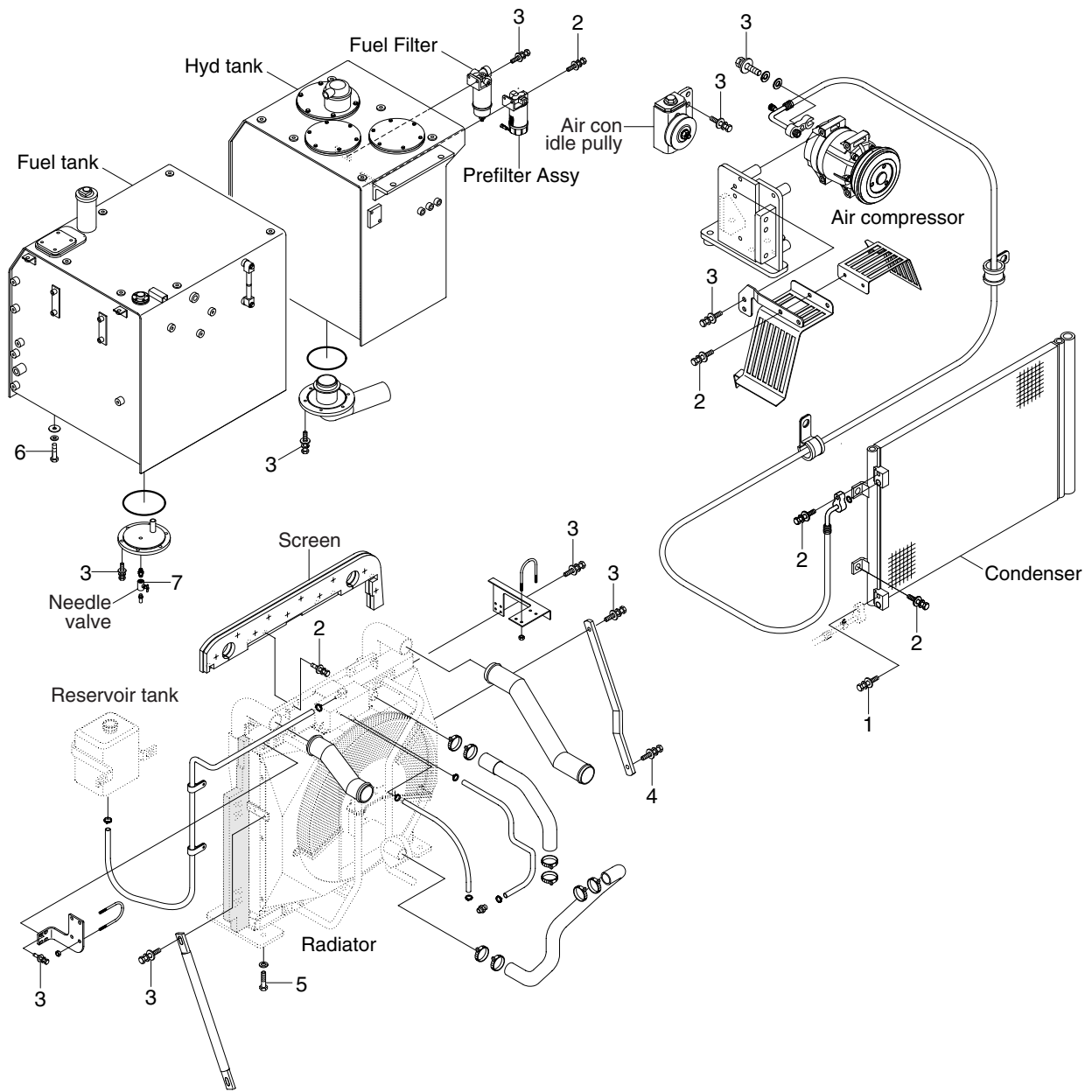
43099CM01

• Tightening torque

| Item | Size | kgf · m | lbf · ft |
|------|----------|----------|-----------|
| 1 | M 8×1.25 | 2.5±0.5 | 18.1±3.6 |
| 2 | M10×1.5 | 6.9±1.4 | 49.9±10.1 |
| 3 | M12×1.75 | 10.0±2.0 | 72.3±14.5 |

| Item | Size | kgf · m | lbf · ft |
|------|----------|----------|-----------|
| 4 | M12×1.75 | 12.8±3.0 | 92.6±21.7 |
| 5 | M24×3.0 | 90±7.0 | 651±51 |
| - | - | - | - |

COOLING SYSTEM AND FUEL TANK MOUNTING



43099CM02

· Tightening torque

| Item | Size | kgf · m | lbf · ft |
|------|-------------|------------|-------------|
| 1 | M 6 × 1.0 | 0.5 ± 0.2 | 3.6 ± 1.45 |
| 2 | M 8 × 1.25 | 2.5 ± 0.5 | 18.1 ± 3.6 |
| 3 | M 10 × 1.5 | 6.9 ± 1.4 | 49.4 ± 10.1 |
| 4 | M 12 × 1.75 | 12.8 ± 3.0 | 92.6 ± 21.7 |

| Item | Size | kgf · m | lbf · ft |
|------|------------|------------|------------|
| 5 | M 16 × 2.0 | 29.7 ± 4.5 | 215 ± 32.5 |
| 6 | M 20 × 2.5 | 46 ± 5.1 | 333 ± 36.9 |
| 7 | - | 2.3 ± 0.6 | 16.6 ± 4.3 |
| - | - | - | - |