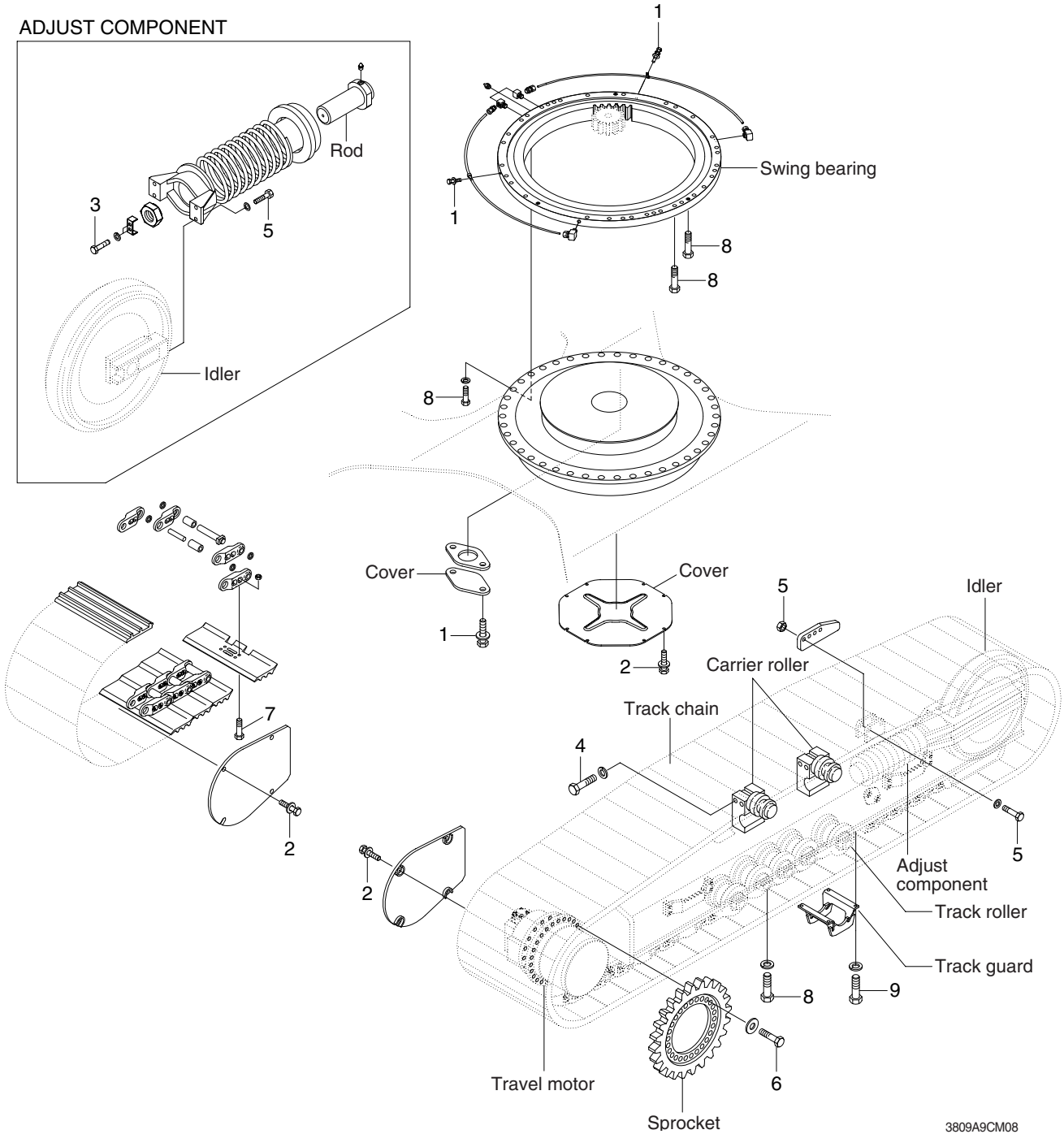


GROUP 5 UNDERCARRIAGE

UNDERCARRIAGE MOUNTING

ADJUST COMPONENT



3809A9CM08

· Tightening torque

Item	Size	kgf · m	lbf · ft
1	M10×1.5	6.9±1.4	49.9±10.1
2	M12×1.75	12.8±3.0	92.6±21.7
3	M12×1.25	13.3±2.7	96.2±19.5
4	M16×2.0	29.7±3.0	215 ±21.7
5	M16×2.0	29.7±4.5	215 ±32.5

Item	Size	kgf · m	lbf · ft
6	M20×2.5	57.9±6.0	419±43.4
7	M24×1.5	140 ±5.0	1010±36
8	M24×3.0	100 ±10	723±72.3
9	M24×3.0	100 ±15	723±108
-	-	-	-